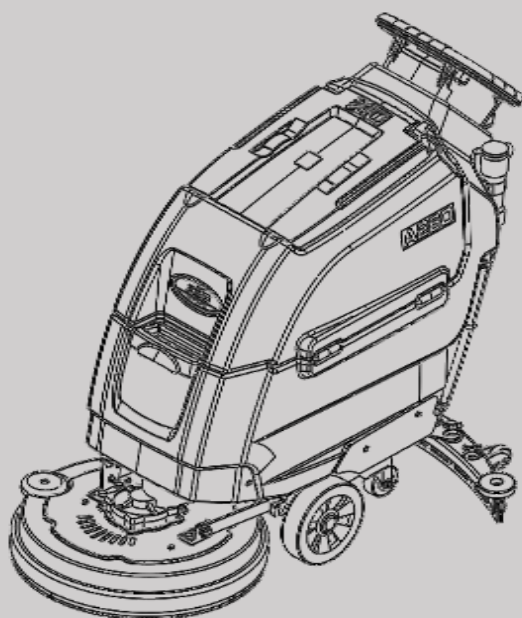


alfa

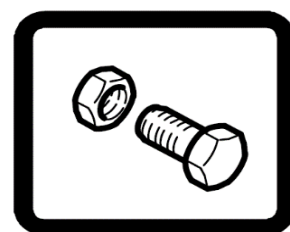
BY TENNANT COMPANY

A260c

(a cabo)



Lavadora Automática de Piso Manual de Peças



**Criando um mundo
mais limpo, seguro e saudável**

Peças Originais Tennant Company

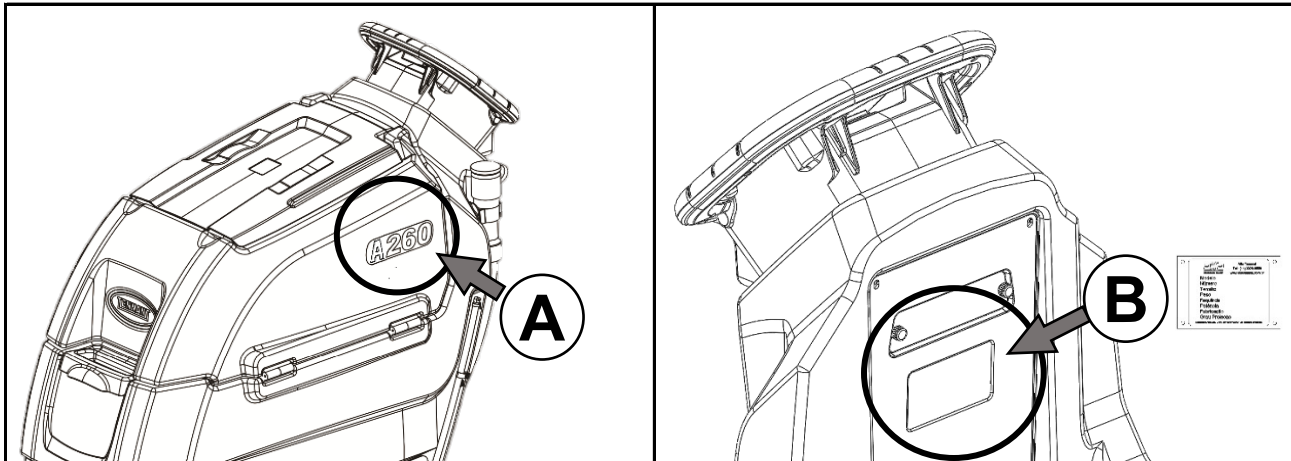


Brasil / América do Sul

Para os mais recentes manuais de peças e outros manuais de operação, visite:

<http://www.tennantco.com>

Rev. 01 (10/2024)



Ref	Código	Número de Série	Descrição	Qty
1	FX15010	(0170001-)	MOTOR ELETRICO MONO K FOX	1
▽ 2	FX14050	(0170001-)	CONJ POLIA-ARRASTADORA FOX	1
▲ 3	FX14051	(0170001-)	POLIA ARRASTADORA FOX	1
D	MT30004	(0170001-)	ANEL ELAST E-15	3
	MT16019	(0170001-0170354)	SUPORTE GUIA MOLA	2
6	MT44003	(0170001-)	PARAF SCSI M8X8	4

COMO FAZER O PEDIDO DE PEÇAS - veja o diagrama acima

Só use **Peças Originais Tennant Company**.

Siga os passos abaixo para garantir uma entrega rápida.

1. **(A)** Identifique o modelo da máquina.
2. **(B)** Identifique o número de série da máquina que se encontra na etiqueta de dados.
3. **(C)** Certifique-se de que usa o número de série correto da lista de peças.
4. Identifique o código da peça e a quantidade. Não encomende através de números de página ou de referência.
5. Forneça instruções de entrega detalhadas.

-
- (D)** ▽ identifica um conjunto
 ▲ Identifica peças incluídas em um conjunto

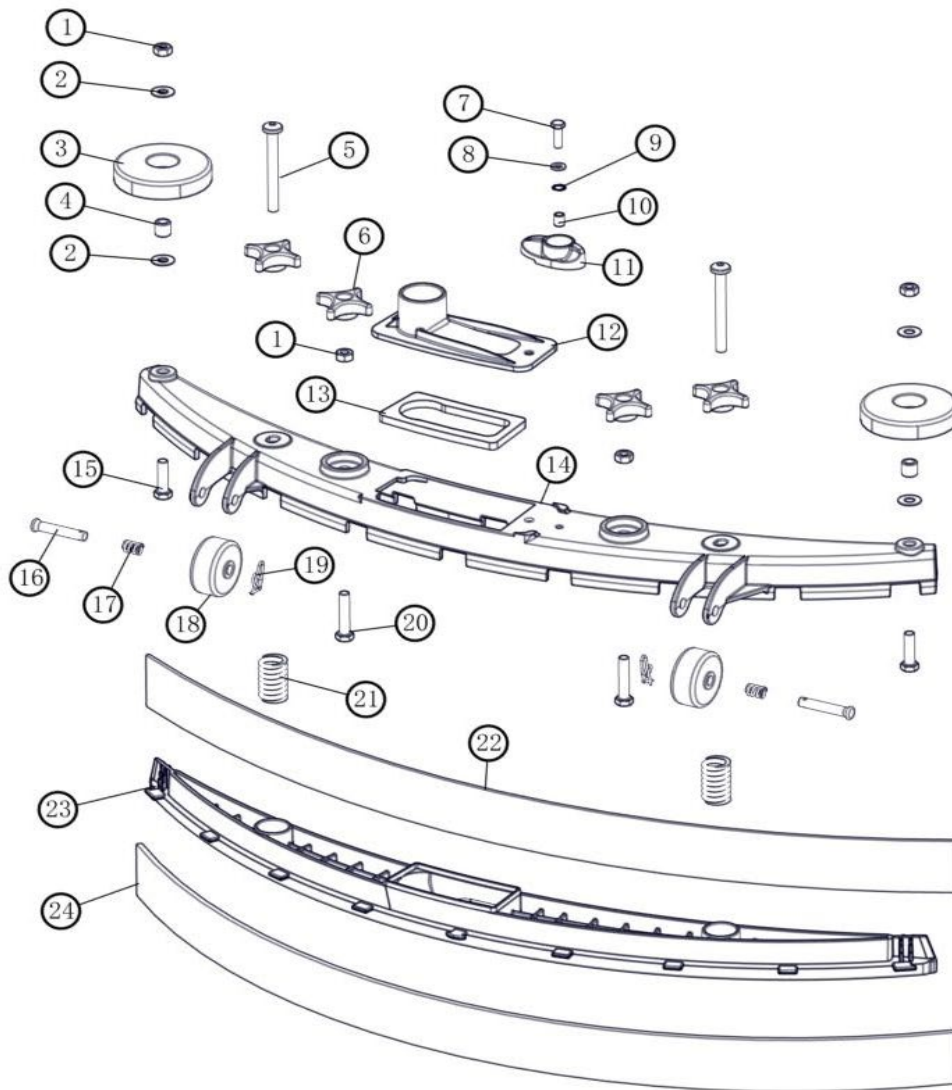
Tennant Company - Brasil
 Rua Barão de Campinas, 715
 Campos Elíseos, São Paulo, SP
 Cep.: 01201-902
 Tel: (11) 3320-8550
 Assist Tec: (11) 3320-8555
 SAC: (11) 3320-8552
<https://www.tennantco.com>

Especificações e peças estão sujeitas a alterações sem aviso prévio.
 Direitos autorais Tennant Company, impresso no Brasil.

ÍNDICE

Ref	Descrição	Página
1	RODO	4
2	BASE, COBERTURA, ESCOVA, DISCO	6
3	CHASSI	8
4	RODA	10
5	MOTOBOMBA	12
6	TANQUE RECOLHIMENTO	14
7	TANQUE SOLUÇÃO	16
8	ACABAMENTOS	18
9	FILTRO	20
10	SUPORTE RODO	22
11	PAINEL ELÉTRICO	24
12	CAIXA ELÉTRICA	26
13	PAINEL	28
14	ALAVANCA RODO	30

RODO

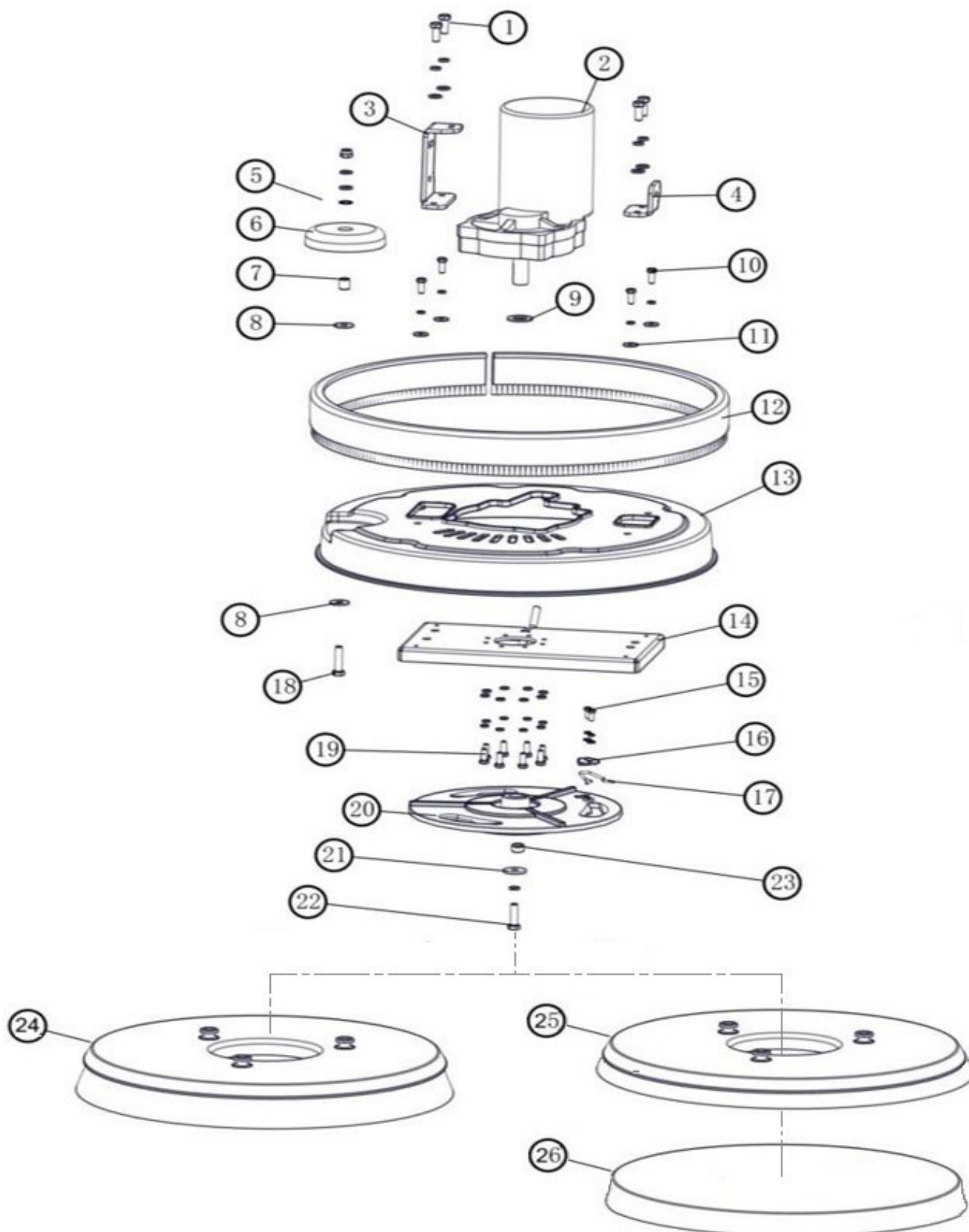


RODO

Ref	Código	Número de Série	Descrição	Qty
1	07786	(00001-)	NUT, HEX, STD, M8 X 1.25, SS	2
2	140027	(00001-)	WASHER, FLAT, 0.35B 0.75D .04, SS	4
3	1010560	(00001-)	WHELL, BMPR, 80D X 25W, NON-MARKING	2
4	222460	(00001-)	SLEEVE, P/M, 0.32B 0.50D 0.5L [430SS]	1
5	1255358	(00001-)	SCREW, BTN, M8 X 1.25 X 85, SS	2
6	1213677	(00001-)	KNOB, STAR, 2.00OD 4EAR M8X1.25 [YEL]	2
7	12277	(00001-)	SCREW, HEX, M6 X 1.00 X 20, NL, SS	4
8	01684	(00001-)	WASHER, FLAT, 0.27B 0.69D .05, SS	1
9	140060	(00001-)	WASHER, .505 X .750 X 0.45 WAVE	1
10	140154	(00001-)	SLEEVE, P/M, 0.25B 0.38D 0.3L, PL	2
11	1222109	(00001-)	KNOB, SQGE, 58L, M6 X 1.00, PLSTC	2
12	1209631	(00001-)	COVER, TRAP, WATER, SQGE	2
13	CN5006243	(00001-)	SILENCER CPTTON [T260]	2
14	1230946	(00001-)	FRAME, SQGE, 50CM, MACH [T300]	2
15	1016399	(00001-)	SCREW, HEX, M8 X 1.25 X 30, NL, SS	1
16	17461	(00001-)	PIN, CLEVIS, 0.37D X 1.75L	1
17	1017091	(00001-)	SPRING, CMPR, 0.50OD .04WIR 00.8L	1
18	630477	(00001-)	WHEEL, PYU, 02.0D 0.38W, GRAY	1
19	1216647	(00001-)	PIN, COTTER, HAIR, 0.38D .054 WIR	4
20	09023	(00001-)	SCREW, HEX, M8 X 1.25 X 35, FL, SS	1
21	22290	(00001-)	SPRING, CMPR, 0.72OD .06WIR 02.3L	2
22	1203954	(00001-)	BLADE, SQGE, FRONT, 788L, LINATEX[500MM]	1
23	1203638	(00001-)	RETAINER, SQGE [T300]	1
24	1203953	(00001-)	BLADE, SQGE, REAR, 836L, LINATEX[500MM]	1

PEÇAS PADRÃO

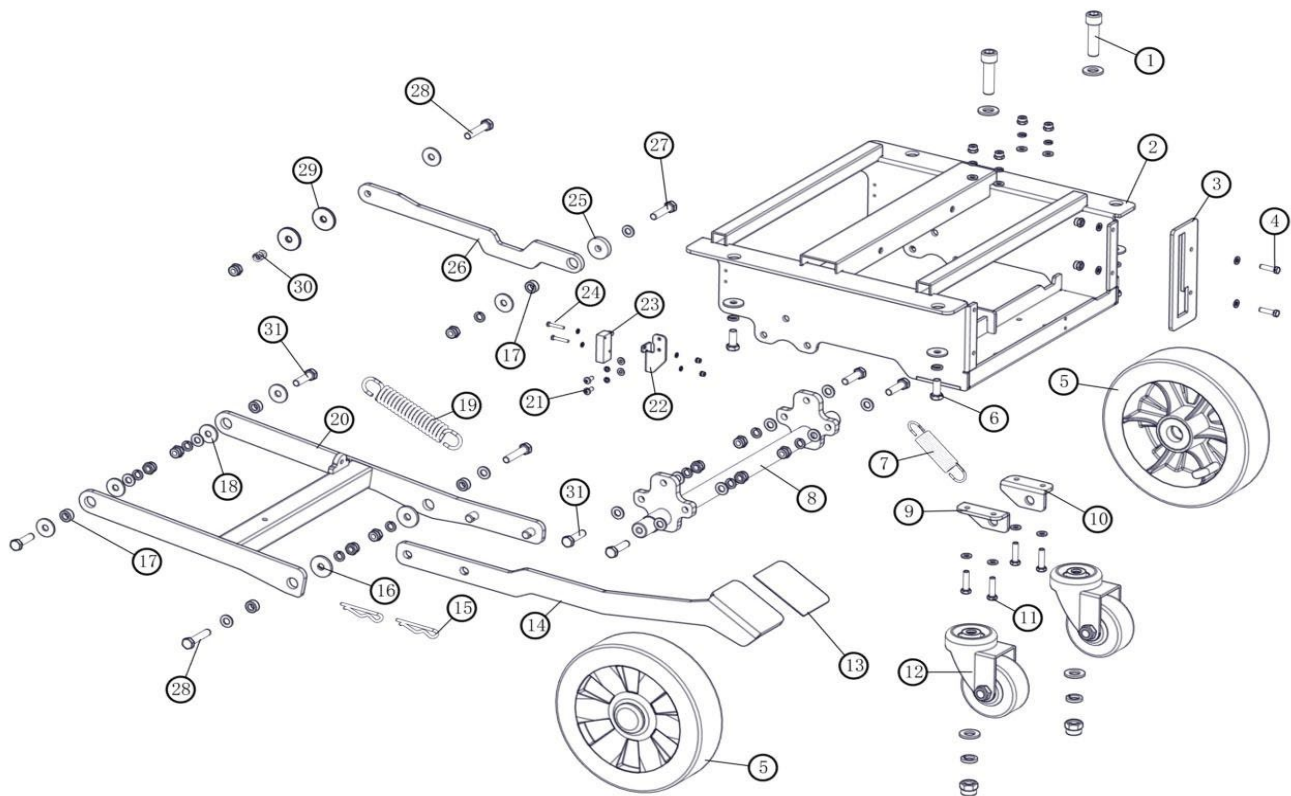
BASE, COBERTURA, ESCOVA, DISCO



BASE, COBERTURA, ESCOVA, DISCO

Ref	Código	Número de Série	Descrição	Qty
1	09740	(00001-)	SCREW, HEX, M8 X 1.25 X 20, SS	4
1	CN4000373	(00001-)	M8 gasket	4
1	CN4000406	(00001-)	M8 play mat	4
2	TN5100444	(00001-)	motor, main brush AC[A260 cord]	1
3	CN5006239	(00001-)	plate,bracket,brush set 2[T260]	1
4	CN5006090	(00001-)	Brush tray bracket 1	1
5	CN4000418	(00001-)	Ganizational 14 corrugated cushion	1
6	CN5001941	(00001-)	BM50B guide wheel	1
7	CN5000974	(00001-)	Suction wheel bushing	1
8	CN4000374	(00001-)	M8 increase the gasket	2
9	CN5004742	(00001-)	WASHER, 45MMD 18MMB 3MML	1
10	15678	(00001-)	SCREW, HEX, M6 X 1.00 X 16, SS	4
10	CN4000405	(00001-)	M6 play mat	4
11	01684	(00001-)	WASHER, FLAT, 0.27B 0.69D .05, SS	4
12	CN5006241	(00001-)	brush cover skirt [T260]	1
13	CN5006226	(00001-)	COVER, BRUSH [iron grey] [T260]	1
14	CN5006080	(00001-)	45B brush disc mounting plate	1
15	09200	(00001-)	SCREW, PAN, PHL, M5 X 0.80 X 12, SS	2
15	140011	(00001-)	WASHER, FLAT, 0.21B 0.45D .03, SS	2
15	CN4000404	(00001-)	The M5 play mat	2
16	CN5005707	(00001-)	S56B snap button elastic snap plate	1
17	CN5005725	(00001-)	S56B brush buckle elastic snap	1
18	76570	(00001-)	SCREW, HEX,M8 X 1.25 X 30, 8.8	1
18	CN4000373	(00001-)	M8 gasket	1
18	CN4000406	(00001-)	M8 play mat	1
18	08713	(00001-)	NUT, HEX, LOCK, M8 X 1.25, NL, SS	1
19	12277	(00001-)	SCREW, HEX, M6 X 1.00 X 20, NL, SS	8
19	CN4000405	(00001-)	M6 play mat	8
19	CN4000370	(00001-)	M6 flat pad	8
20	CN5005656	(00001-)	S56B brush buckle (new style)	1
21	CN4000375	(00001-)	M8 extra-large gasket	2
22	09010	(00001-)	SCREW, HEX, M8 X 1.25 X 25, SS	1
22	CN4000406	(00001-)	M8 play mat	1
23	CN5001001	(00001-)	Grilled suction cushion column	1
24	TN1016810S	(00001-)	Escova p/A3 nylon compl SC	1
25	TN1016814S	(00001-)	Sup p/disco para A3/A300/T300 Comp	1
26	MT12716	(00001-)	DISCO 510MM LIMPADOR (VERDE)	1
26	MT12715	(00001-)	DISCO 510MM REMOVEDOR (PRETO)	1
26	MT12719	(00001-)	DISCO 510MM POLIDOR (VERMELHO)	1

CHASSI



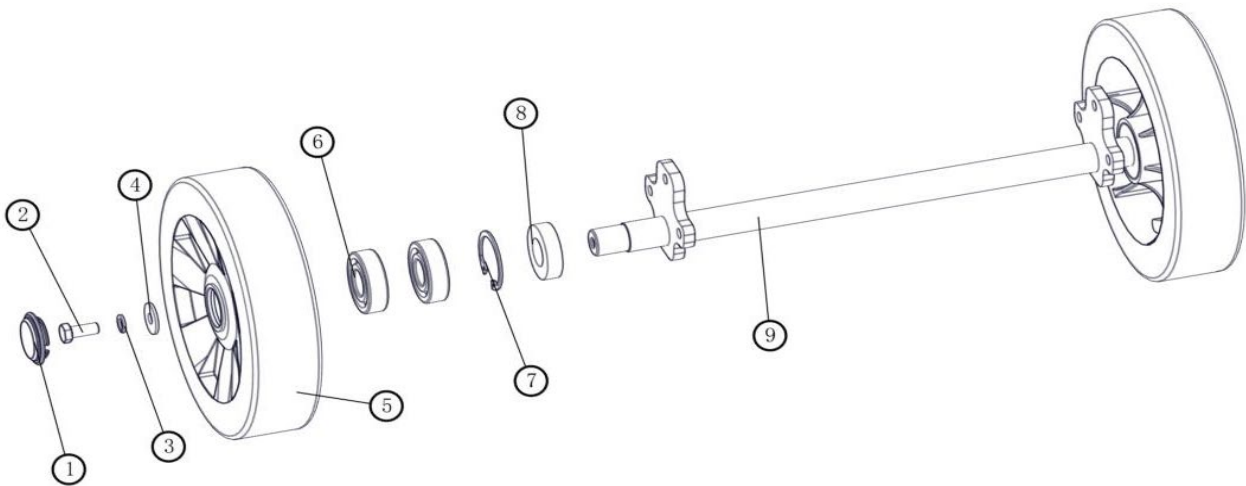
CHASSI

Ref	Código	Número de Série	Descrição	Qty	
1	CN4000228	(00001-)	M12*45 hexagon socket 12.9 class	2	
2	CN5006077	(00001-)	45b chassis	1	
3	CN5006085	(00001-)	45 Foot arm limit plate	1	
4	CN4000062	(00001-)	The M5 * 20 hex	2	
5	--	(00001-)	See assembly 3 for details	2	
▽	6	09740	(00001-)	SCREW, HEX, M8 X 1.25 X 20, SS	4
▲	7	CN5006067	(00001-)	R45 suction pull spring	1
	8	CN5006078	(00001-)	45b wheel	1
	9	CN5006083	(00001-)	45 Sucking and scraping fixed frame left	1
	10	CN5006084	(00001-)	45 Suction and grab fixing frame right	1
	11	09007	(00001-)	SCREW, HEX, M6 X 1.00 X 25, SS	4
	12	CN4000699	(00001-)	GM50B universal wheel	2
	13	CN5006262	(00001-)	label, pedal	1
	14	CN5006081	(00001-)	R45B pedal arm	1
	15	CN4000904	(00001-)	R pin 2 * 40	2
	16	CN4000375	(00001-)	M8 extra-large gasket	2
	17	CN5005669	(00001-)	S56B brush disc rotor arm bushing	5
	18	CN4000374	(00001-)	M8 increase the gasket	5
	19	CN5006079	(00001-)	45 Motor connector	1
	20	CN5006042	(00001-)	S56 Brush housing spring	1
	21	CN4000040	(00001-)	M4*10 large pan head cross	2
	22	CN5006089	(00001-)	Brush disk sensor mounting plate	1
	23	CN5006133	(00001-)	Micro Switch,SB1-16Z4-D200	1
	24	CN4001133	(00001-)	M3*20 big pan head cross	2
	25	CN5006087	(00001-)	45 Brush disc right connecting rod	1
	26	CN5006086	(00001-)	45 connecting rod gasket	1
	27	09023	(00001-)	SCREW, HEX, M8 X 1.25 X 35, FL, SS	1
	28	74440	(00001-)	SCREW, HEX,M8 X 1.25 X 40, NL, SS	3
	29	CN5005713	(00001-)	S56B brush disc right connecting rod	2
	30	CN5005977	(00001-)	Brush plate right connecting rod spring	1
	31	76570	(00001-)	SCREW, HEX,M8 X 1.25 X 30, 8.8	6

▽ CONJUNTO

▲ INCLUÍDAS EM UM CONJUNTO

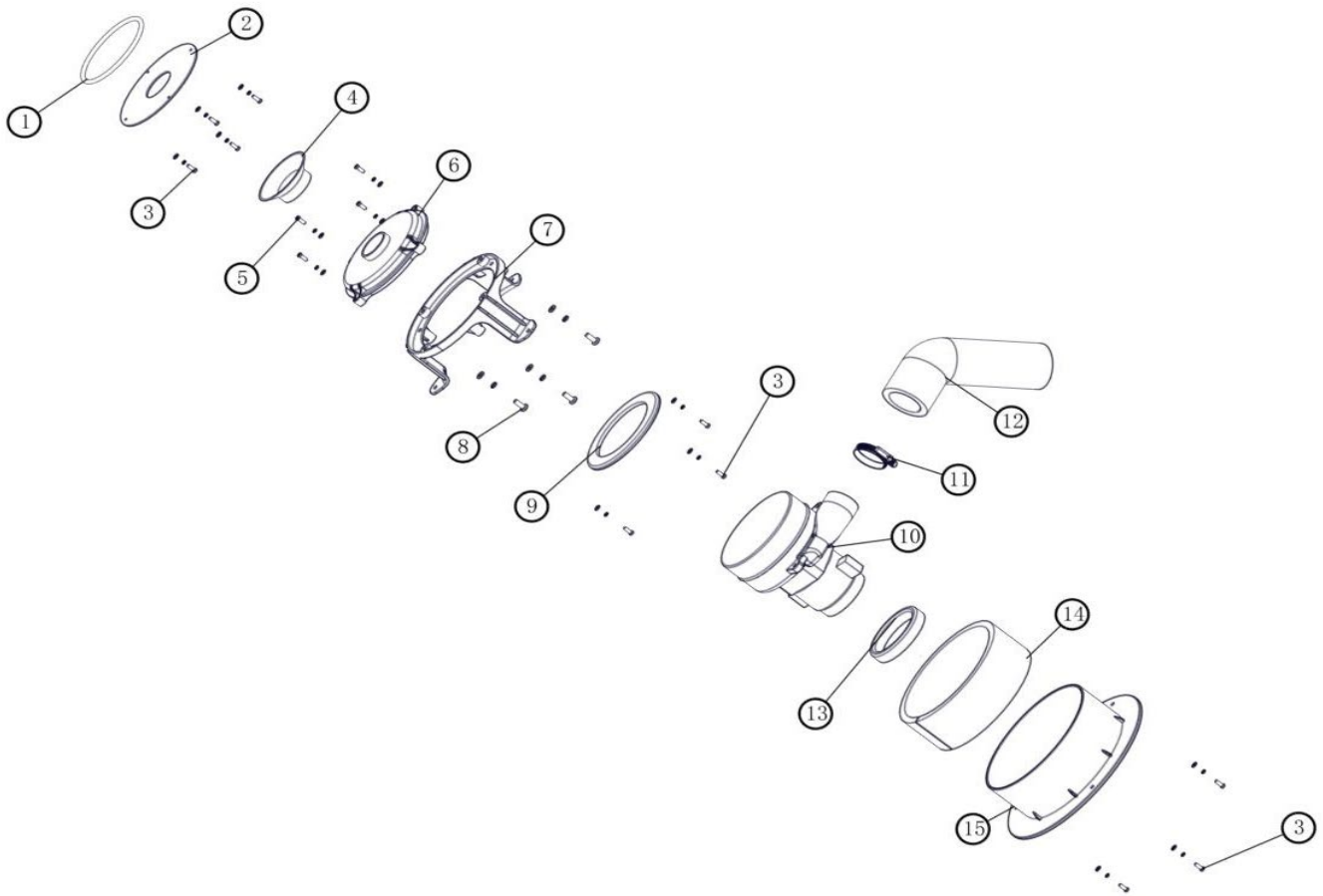
RODA



RODA

Ref	Código	Número de Série	Descrição	Qty
1	CN5006221	(00001-)	CAP, HUB, ALUM ALLOY [iron grey]	2
2	09740	(00001-)	SCREW, HEX, M8 X 1.25 X 20, SS	2
3	CN4000406	(00001-)	M8 play mat	2
4	CN4000374	(00001-)	M8 increase the gasket	2
5	CN5002310	(00001-)	die-cast aluminum alloy rear wheel	2
6	CN4000522	(00001-)	Waterproof bearing	4
7	CN4000499	(00001-)	φ 42 mm hole CARDS	2
8	CN4000673	(00001-)	Oil seal φ 42X φ 22X11	2
9	CN5006078	(00001-)	45b wheel	1

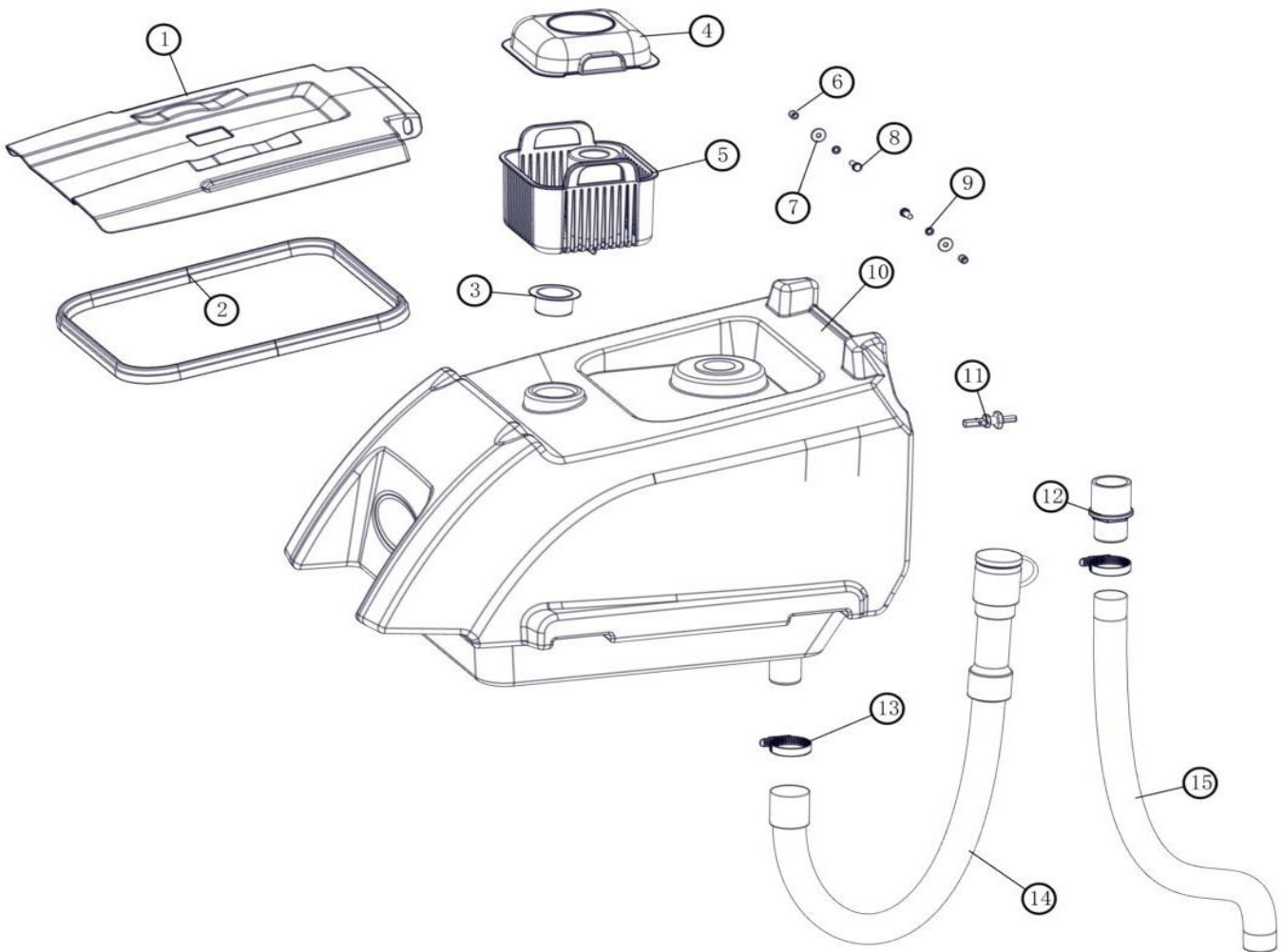
MOTOBOMBA



MOTOBOMBA

Ref	Código	Número de Série	Descrição	Qty
1	CN4000660	(00001-)	¢ 115x5.3 inside diameter	1
2	CN5000511	(00001-)	Motor suction plate - mute	1
3	CN4000038	(00001-)	M4*12 large pan head cross	10
3	41579	(00001-)	WASHER, FLAT, 08, SS	10
3	CN4000403	(00001-)	The M4 play mat	10
4	CN5002337	(00001-)	Motor horn suction - mute	1
5	CN4000112	(00001-)	M4*25 large pan head cross	4
5	41579	(00001-)	WASHER, FLAT, 08, SS	4
5	CN4000403	(00001-)	The M4 play mat	4
6	CN5002144	(00001-)	Motor cover - mute	1
7	CN5006115	(00001-)	45B vacuum motor bracket	1
8	CN4001030	(00001-)	M6*20 pan head cross	3
8	CN4000370	(00001-)	M6 flat pad	3
8	CN4000405	(00001-)	M6 play mat	3
9	CN5002338	(00001-)	Motor cover pad - mute	1
10	CN5002470	(00001-)	GM50/ gms-3 two layer vacuum motor	1
11	CN4000009	(00001-)	¢ 33-57 adjustable ear clamp	1
12	CN5003632	(00001-)	GM230 motor muffler tube	1
13	CN5005973	(00001-)	S56B Motor Damping Ring	1
14	CN5006070	(00001-)	45 b sound attenuation of cotton	1
15	CN5006114	(00001-)	45B motor outer cover plate	1

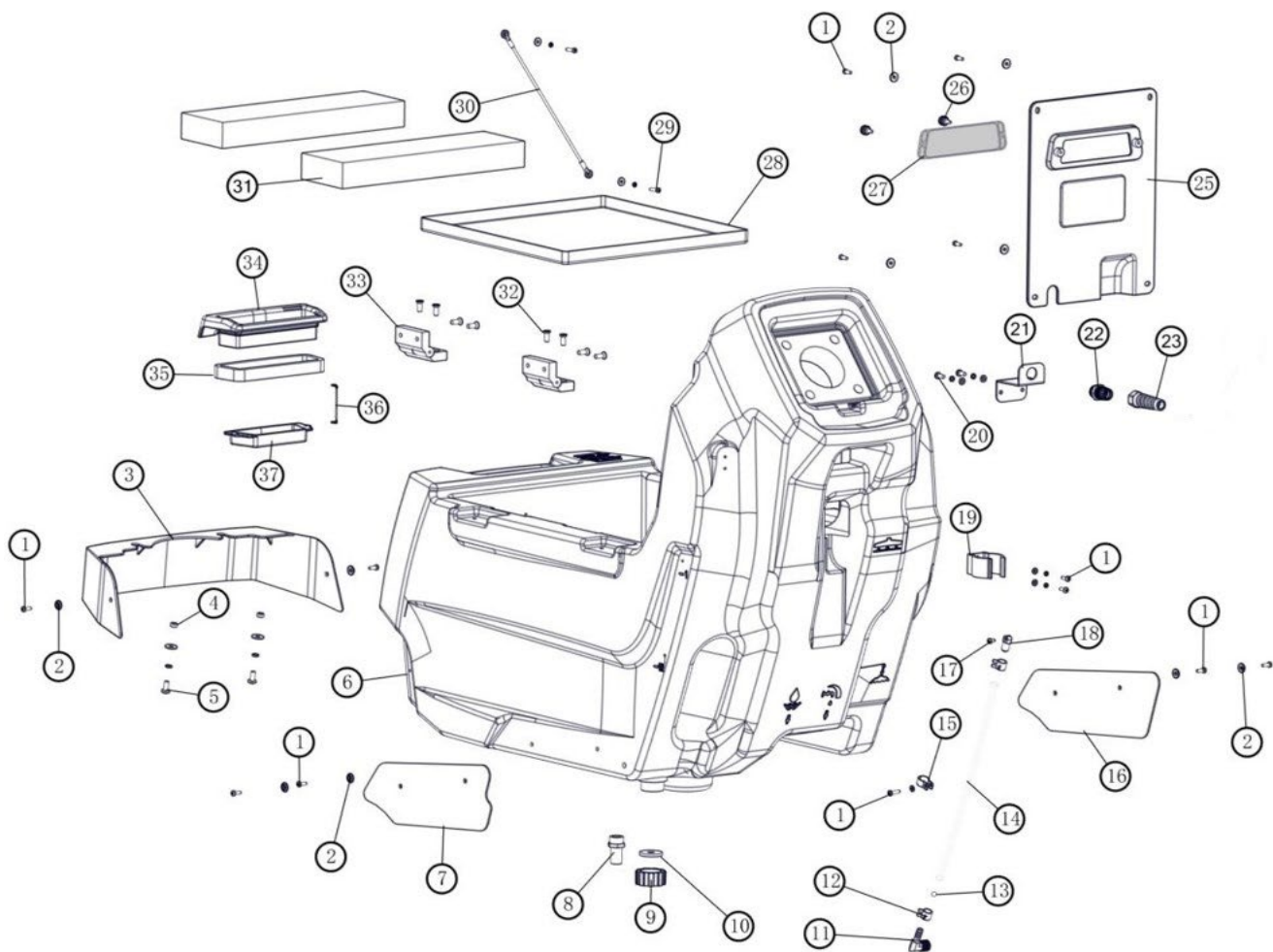
TANQUE RECOLHIMENTO



TANQUE RECOLHIMENTO

Ref	Código	Número de Série	Descrição	Qty
1	CN5006224	(00001-)	COVER, TANK, RECVY [iron grey] [T260]	1
2	CN5003686	(00001-)	Running back cover seal strip black	1
3	CN5006130	(00001-)	net,motor protective,45B	1
4	CN5005723	(00001-)	Sewage filter box cover (new style)	1
5	CN5005711	(00001-)	Sewage filter basket (new style)	1
6	CN5006096	(00001-)	Sewage cap fixing bushing	2
7	01684	(00001-)	WASHER, FLAT, 0.27B 0.69D .05, SS	2
8	15678	(00001-)	SCREW, HEX, M6 X 1.00 X 16, SS	2
9	CN4000405	(00001-)	M6 play mat	2
10	CN5006214	(00001-)	TANK, RECVY [T260]	1
11	CN5003089	(00001-)	sewage sensor harness assembly	1
12	CN5002179	(00001-)	PVC pipe connector	1
13	CN4000009	(00001-)	¢ 33-57 adjustable ear clamp	2
14	CN5002833	(00001-)	GMmini/GM50B/GM70BT sewage pipe	1
15	CN5002836	(00001-)	GM110 / GMmini suction tube	1

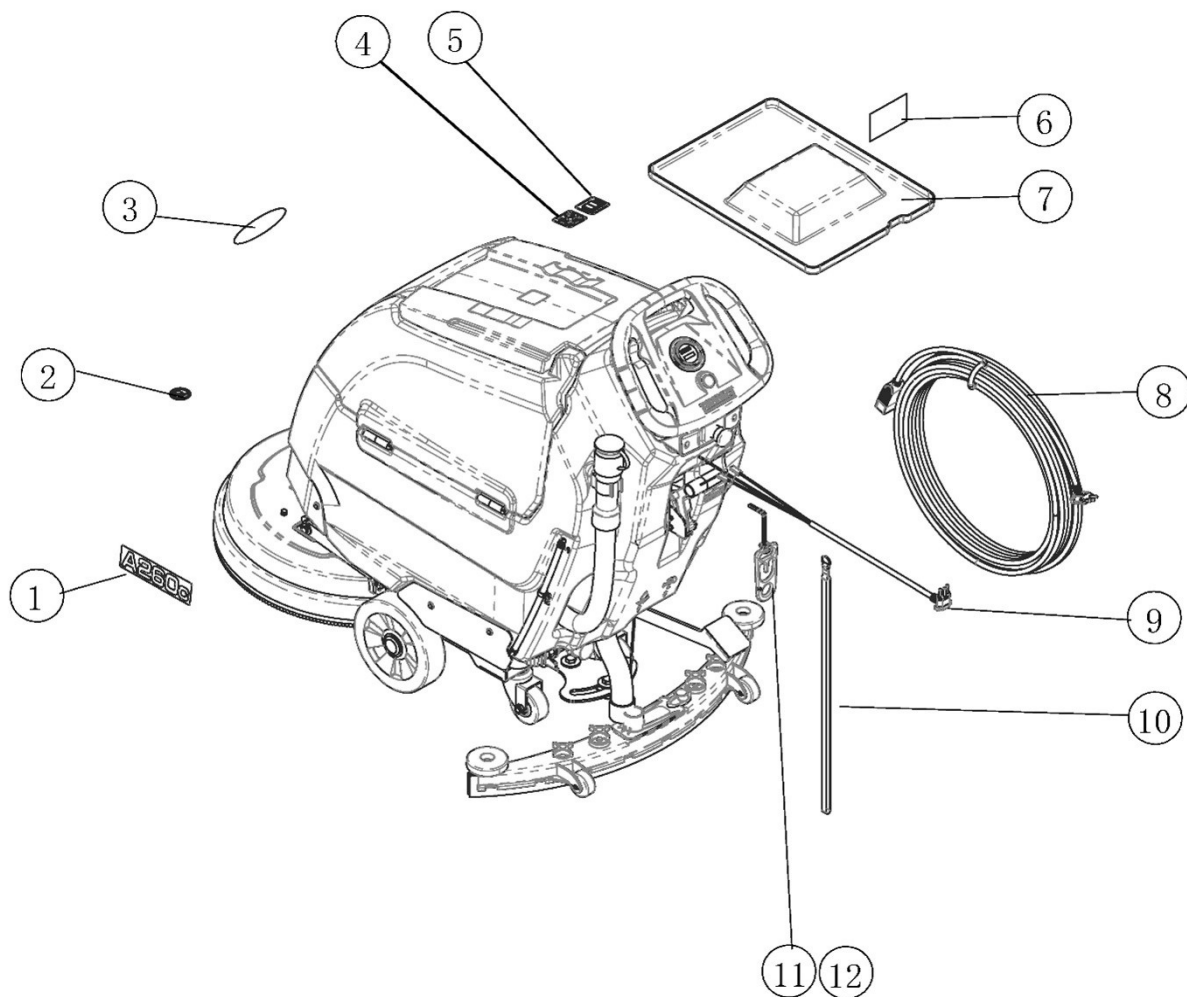
TANQUE SOLUÇÃO



TANQUE SOLUÇÃO

Ref	Código	Número de Série	Descrição	Qtd
1	CN4000038	(00001-)	M4*12 large pan head cross	16
2	CN5005283	(00001-)	S1900 panel plastic pad	11
3	CN5006225	(00001-)	COVER,FRONT [iron grey] [T260]	1
4	CN5006097	(00001-)	9*6*4 bushing	2
5	CN4000231	(00001-)	M6*14 small disc head cross	2
5	CN4000405	(00001-)	M6 play mat	2
5	CN4000370	(00001-)	M6 flat pad	2
6	CN5006286	(00001-)	TANK, SOLTN (nobles green)[T260]	1
7	CN5006294	(00001-)	PLATE, COVER, TANK, SOLTN, LEFT [A260]	1
8	CN5001393	(00001-)	G1/2 wire já ganizational 16 direct	1
9	CN5001935	(00001-)	GM50B clear water tank plug	1
10	CN5002217	(00001-)	GM50B clean water tank plug gasket	1
11	CN5001384	(00001-)	G1/8 external silk * 8 Angle elbow	1
12	CN4001008	(00001-)	11 clamp	2
13	CN5002145	(00001-)	Water level tube float, 6mm red	1
14	CN5002860	(00001-)	PVC transparent hose,340mm	1
15	CN4000020	(00001-)	Ganizational 12mmR type wire clamp	1
16	CN5006295	(00001-)	PLATE, COVER, TANK, SOLTN, RIGHT [A260]	1
17	CN4000194	(00001-)	M4*14 large pan head cross	1
18	CN5002029	(00001-)	Ganizational 8 pipe fixed joint	1
19	CN5001942	(00001-)	GM50B sewage pipe support	1
20	09200	(00001-)	SCREW, PAN, PHL, M5 X 0.80 X 12, SS	2
20	140011	(00001-)	WASHER, FLAT, 0.21B 0.45D .03, SS	2
20	CN4000404	(00001-)	The M5 play mat	2
21	TN5100441	(00001-)	plate fix cord	1
22	CN4000734	(00001-)	FB+FC handle cable spiral waterproof con	1
23	CN4000736	(00001-)	Anti-bending outgoing sleeve pc-11	1
25	CN5006113	(00001-)	45B electric cover plate	1
26	CN4001106	(00001-)	Hand screw plastic screw, M4X10	2
27	CN5005734	(00001-)	Insurance perspective cover	1
28	CN5001940	(00001-)	GM50B battery base	1
29	CN4000036	(00001-)	M4*16 large pan head cross	2
29	CN4000403	(00001-)	The M4 play mat	2
29	CN4000367	(00001-)	M4 increase the gasket	2
30	CN4001158	(00001-)	Drawing, Tank, Recvy [T260]	1
31	CN5000014	(00001-)	GM50 counterweight, GM50	2
32	CN4000167	(00001-)	M6*20 flat cross	8
33	CN4001141	(00001-)	45B main tank hinge	2
34	CN5006220	(00001-)	CAP, WATER INJECTION [T260]	1
35	CN5006246	(00001-)	T260 cover sealing strip (420MM)	1
36	CN4000781	(00001-)	Anti - loss chain	2
36	CN4000048	(00001-)	ST4*10 cross attack	1
37	CN5006234	(00001-)	filter, Tank solto [T260]	1

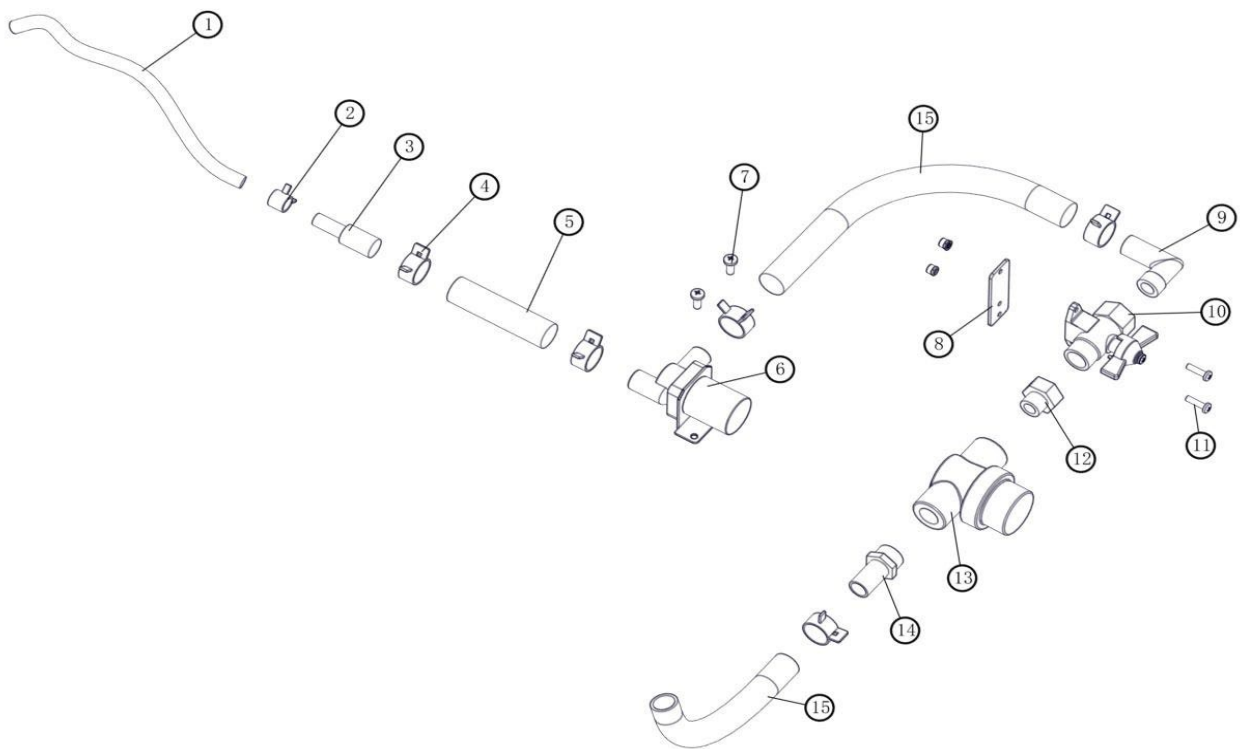
ACABAMENTOS



ACABAMENTOS

Ref	Código	Número de Série	Descrição	Qty
1	CN0008N	(00001-)	ADESIVO A260C	2
2	MT11040C	(00001-)	ETIQUETA ADESIVA COBERT ESC CH	1
3	TN1215265N	(00001-)	ADESIVO ALFA 1 EMP TEN OVAL	1
4	TN1030494N	(00001-)	ADESIVO "ATENÇÃO"	1
5	TN1028077NC	(00001-)	ADESIVO LEIA MANUAL INM 140	1
6	MT10101	(00001-)	ETIQUETA ADESIVA SOLIC SERVIC02	1
7	CN0012N	(00001-)	BANDEJA PROT CX ELET A260C	1
8	MT24600E	(00001-)	CONJ CABO ELET 20A 220V 25M INM	1
9	FX24101	(00001-)	CONJ CABO PAINEL FOX	1
10	MT22623A	(00001-)	CHAVEIRO ALFA UMA EMPRESA TENN	1
11	MT07915N	(00001-)	ALÇA P/CABO ELETRICO	1
12	MT22020	(00001-)	ELÁSTICO DO CABO	1

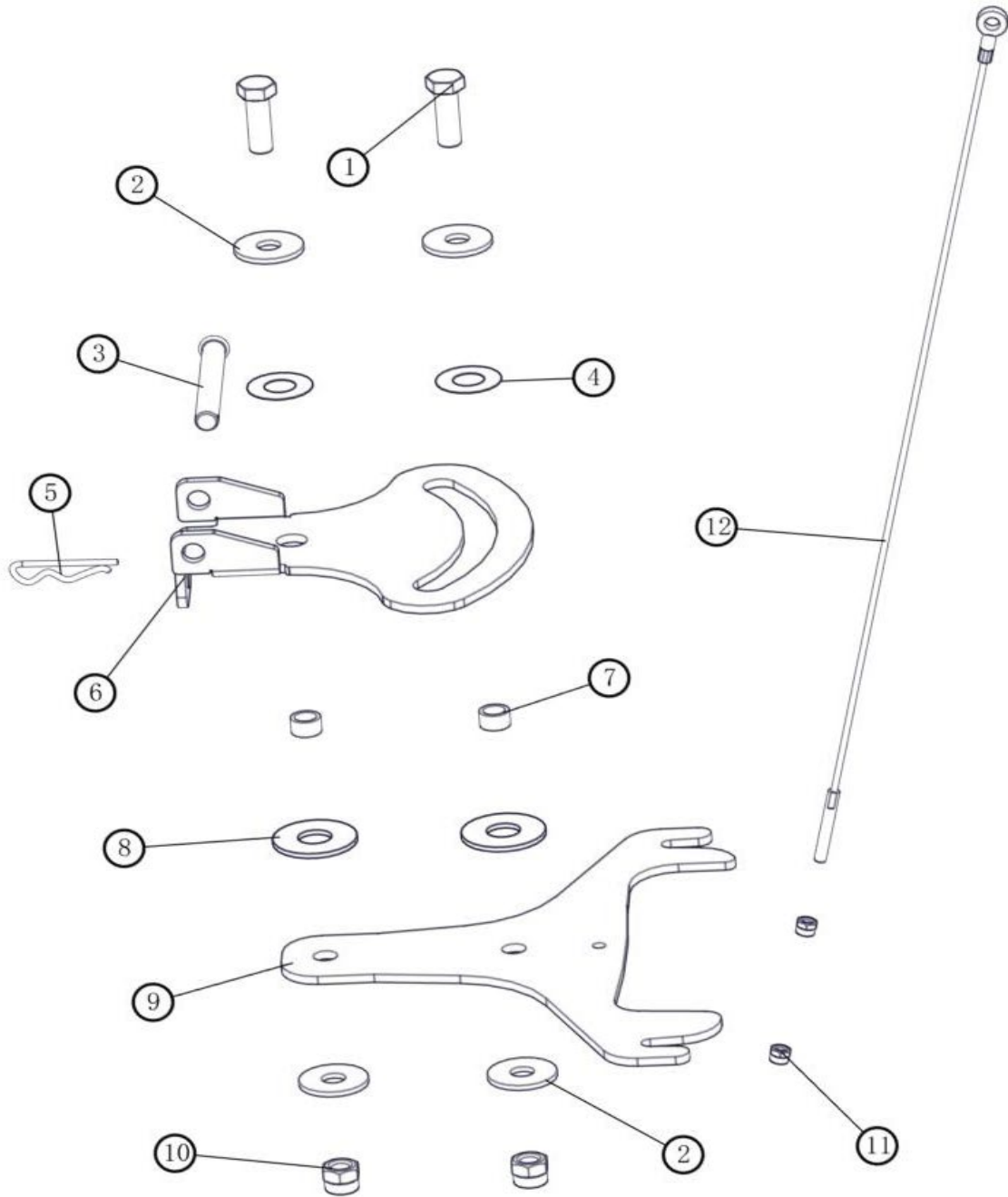
FILTRO



FILTRO

Ref	Código	Número de Série	Descrição	Qty
1	CN5002865	(00001-)	transparent silicone tube,300mm	1
2	CN5004738	(00001-)	13 clamp	1
3	CN5004737	(00001-)	14.2 to 7.9 plastic pagoda connector	1
4	CN5004739	(00001-)	20 clamp	5
5	CN5004321	(00001-)	braided silicone tube,80MM	1
6	CN5003088	(00001-)	GM50 solenoid valve harness (220V)	1
7	CN4000053	(00001-)	M5*16 large pan head cross	2
8	CN5006088	(00001-)	45 water valve retaining plate	1
9	CN5001436	(00001-)	G1/2 external wire X ϕ 16 copper elbow	1
10	CN5004736	(00001-)	With seat ball valve	1
11	CN4000036	(00001-)	M4*16 large pan head cross	2
11	33932	(00001-)	NUT, HEX, LOCK, M4 X 0.70, NL, SS	2
12	CN5004733	(00001-)	Three to four tap	1
13	CN5004741	(00001-)	0000B filter (80 mesh)	1
14	CN5005002	(00001-)	G3/8 external wire X ϕ 16 copper direct	1
15	CN5004320	(00001-)	braided silicone tube,200mm	1
16	CN5004320	(00001-)	braided silicone tube,280mm	1

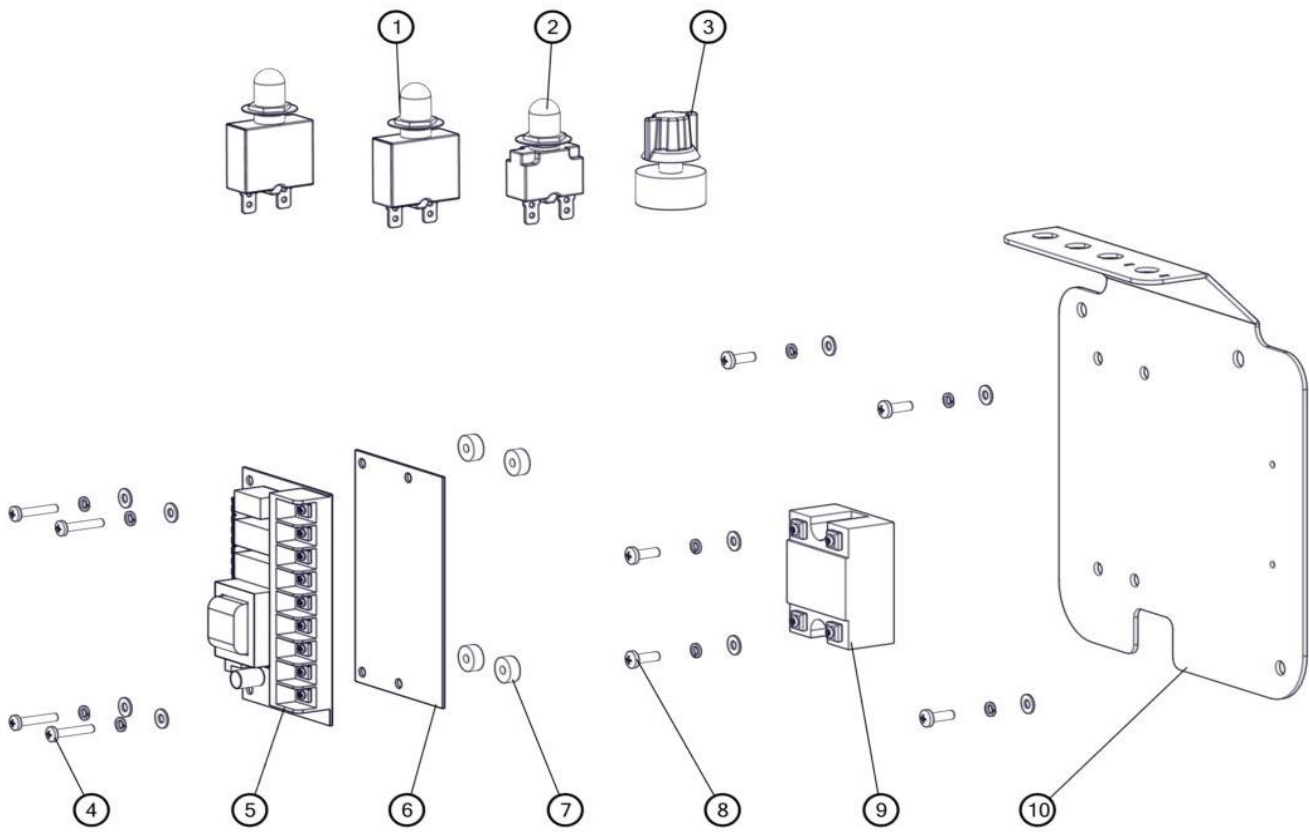
SUPORTE RODO



SUPORTE RODO

Ref	Código	Número de Série	Descrição	Qty
1	CN4000316	(00001-)	M12 * 35 hex	2
2	32493	(00001-)	WASHER, FLAT, 0.56B 1.38D .11, STL, PL	4
3	CN4001142	(00001-)	pin roll12*95	1
4	CN4001004	(00001-)	17X35X0.5 tetrafluorin gasket	2
5	CN4000904	(00001-)	R pin 2 * 40	1
6	CN5006094	(00001-)	45B suction and scrape fixed plate	1
7	CN5006098	(00001-)	45B suction and pick sleeve	2
8	CN5004742	(00001-)	18*45*3 teflon gasket	2
9	CN5006237	(00001-)	plate,angle bracket,squeegee [T260]	1
10	09741	(00001-)	NUT, HEX, LOCK, M12 X 1.75, NL, SS	2
11	08712	(00001-)	NUT, HEX, LOCK, M6 X 1.00, NL, SS	2
12	CN4001159	(00001-)	wiredrawing squeegee [T260]	1

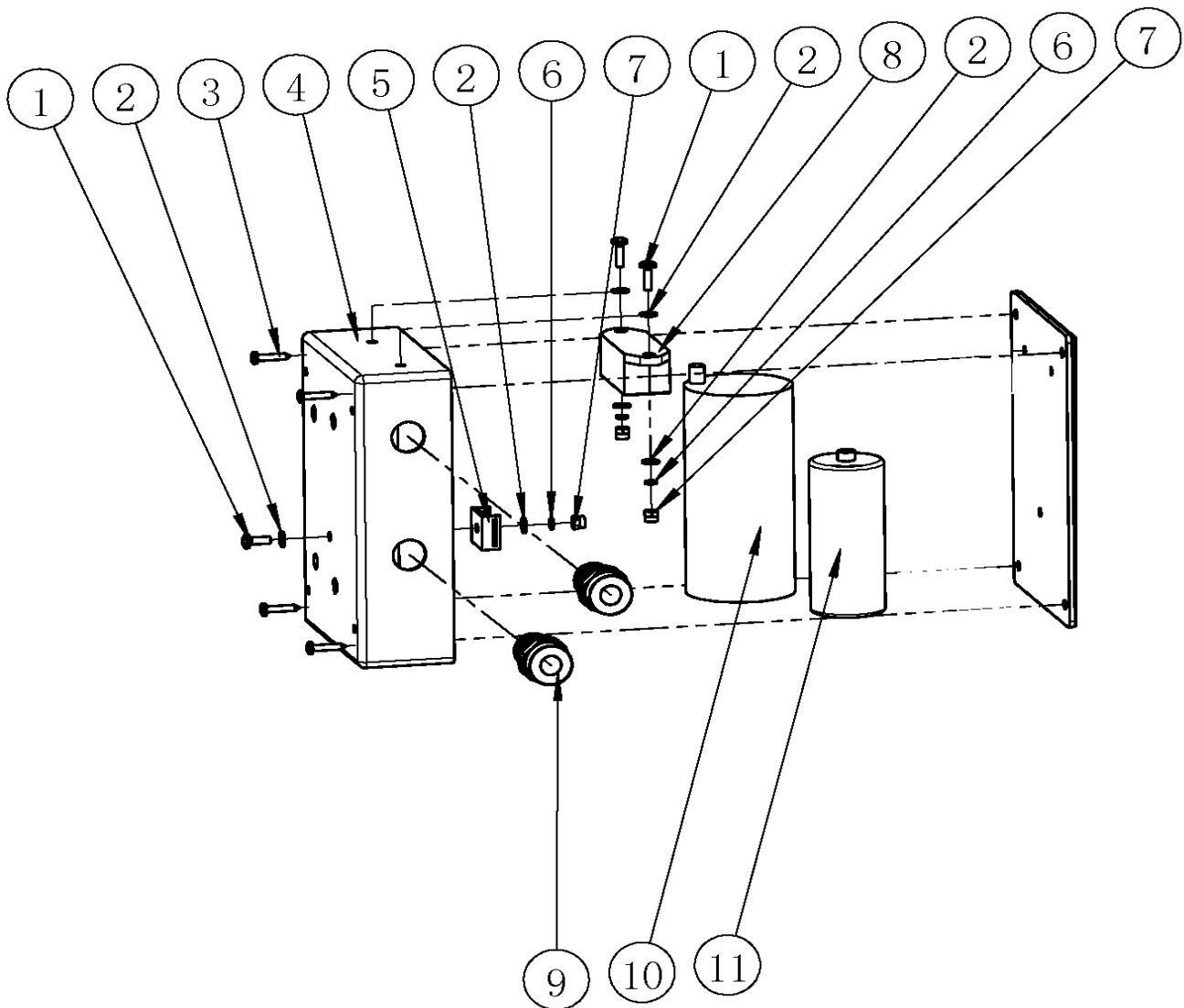
PAINEL ELÉTRICO



PAINEL ELÉTRICO

Ref	Código	Número de Série	Descrição	Qty
1	CN5001643	(00001-)	FUSE, 5A	2
2	CN5004450	(00001-)	3A resettable fuse waterproof cap	1
3	CN4000638	(00001-)	GM70BT speed control switch knob, ?"25	1
3	TN5100469	(00001-)	solid state relay 25A wire harness	1
4	12323	(00001-)	SCREW, PAN, PHL, M4 X 0.70 X 20, SS	4
4	41579	(00001-)	WASHER, FLAT, 08, SS	4
4	CN4000403	(00001-)	The M4 play mat	4
5	CN5001585	(00001-)	GM3/4 electric control board	1
6	CN5000785	(00001-)	GM50 electric panel insulation pad	1
7	CN4000687	(00001-)	GM50B electric control board rubber pad	4
8	CN4000038	(00001-)	M4*12 large pan head cross	5
8	41579	(00001-)	WASHER, FLAT, 08, SS	5
8	CN4000403	(00001-)	The M4 play mat	5
9	TN5100443	(00001-)	Solid state relay 25A	1
10	TN5100442	(00001-)	plate, fix electrical [T760AMR]	1

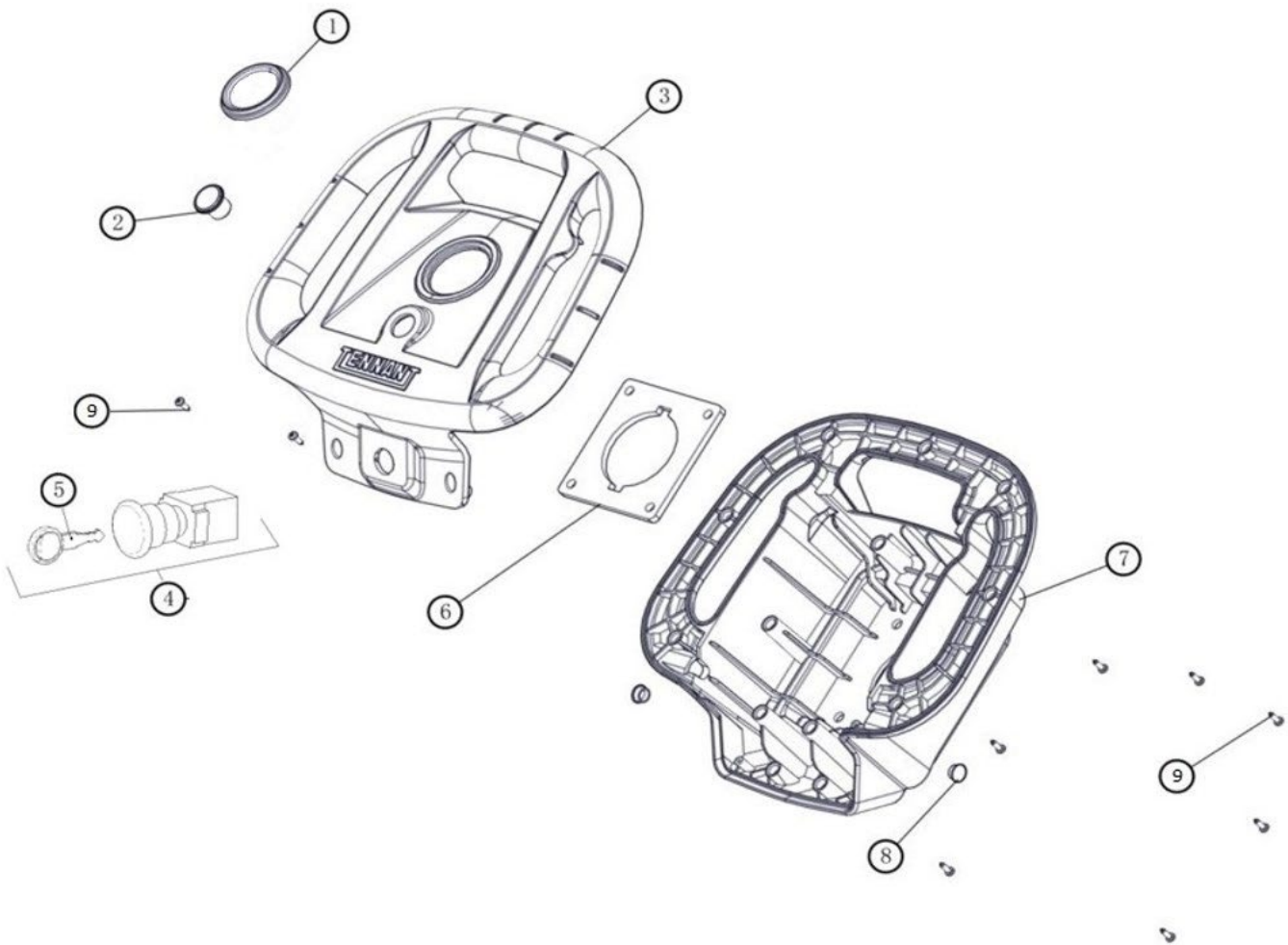
CAIXA ELÉTRICA



CAIXA ELÉTRICA

Ref	Código	Número de Série	Descrição	Qty
1	CN4000040	(00001-)	SCREW, CROSS, M4X10	1
2	41579	(00001-)	WASHER, FLAT, 08, SS	17
3	CN4000033	(00001-)	ST3*20 cross attack	4
4	CN5002062	(00001-)	50 plastic capacitor box (black)	1
5	CN4000853	(00001-)	Cable tie fixing seat HC-2S, 23*16*9*5	1
6	CN4000403	(00001-)	SPACER M4	6
7	33932	(00001-)	NUT, HEX, LOCK, M4 X 0.70, NL, SS	10
8	CN5001558	(00001-)	New motor centrifugal switch, recs-220p	1
9	CN4000734	(00001-)	FB+FC handle cable spiral waterproof con	2
10	CN5001692	(00001-)	50 new motor start capacitance, 88 F	1
11	CN5001693	(00001-)	50 new motor running capacitance, 25 F	1

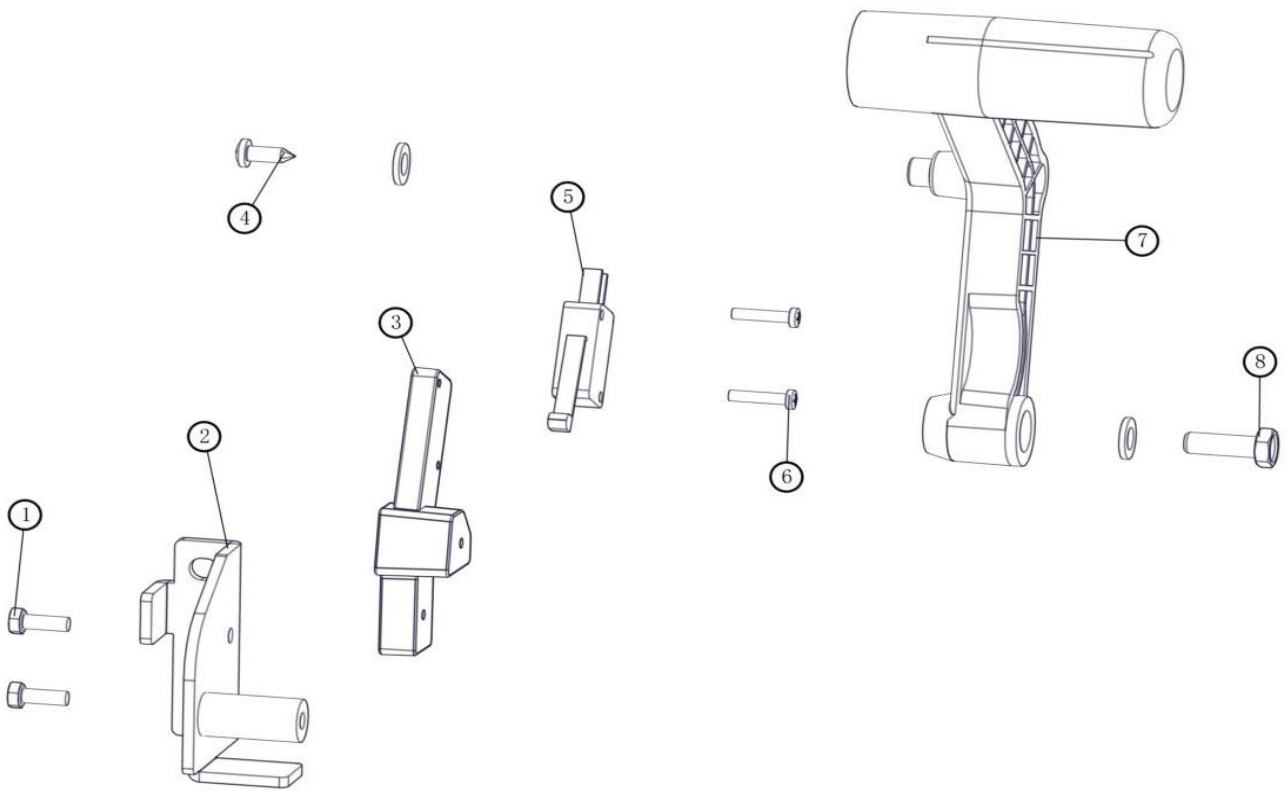
PAINEL



PAINEL

Ref	Código	Número de Série	Descrição	Qty
1	TN5100477	(00001-)	decorative cover, [A260 cord]	1
2	CN5006233	(00001-)	button light(MU022P 220V5A green24V)	1
3	CN5006222	(00001-)	Steering wheel upper cover [T260]	1
▽ 4	CN5001546	(00001-)	with emergency stop key switch	1
▲ 5	CN5001555	(00001-)	with emergency stop key switch key	1
6	CN5005689	(00001-)	Steering wheel fixing plate(new style)	1
7	CN5006223	(00001-)	Steering wheel pedestal[iron grey]	1
8	CN5006111	(00001-)	13 mm decorative cover	2
9	CN4001130	(00001-)	ST3.5*12 pan head cross self	9

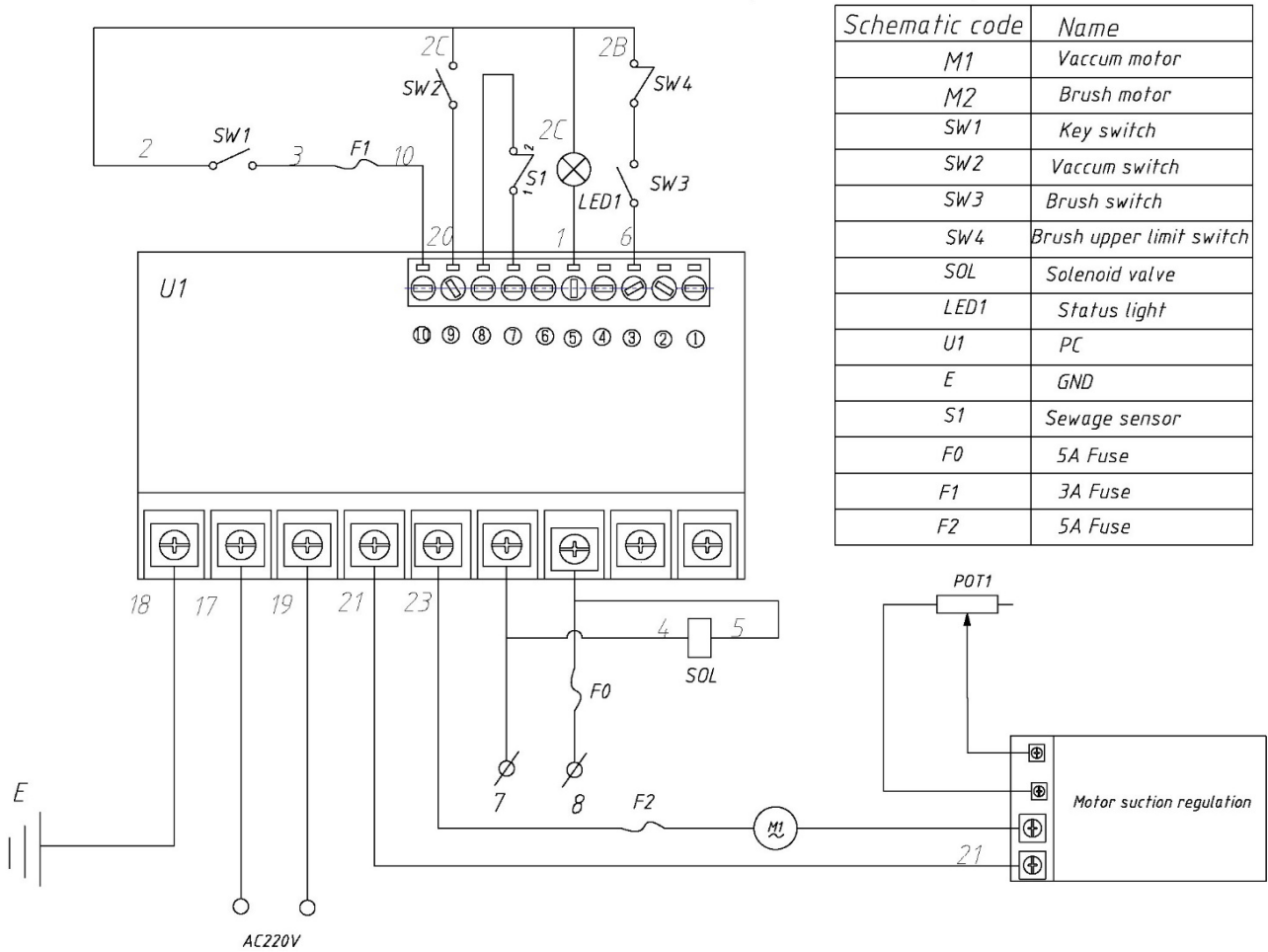
ALAVANCA RODO



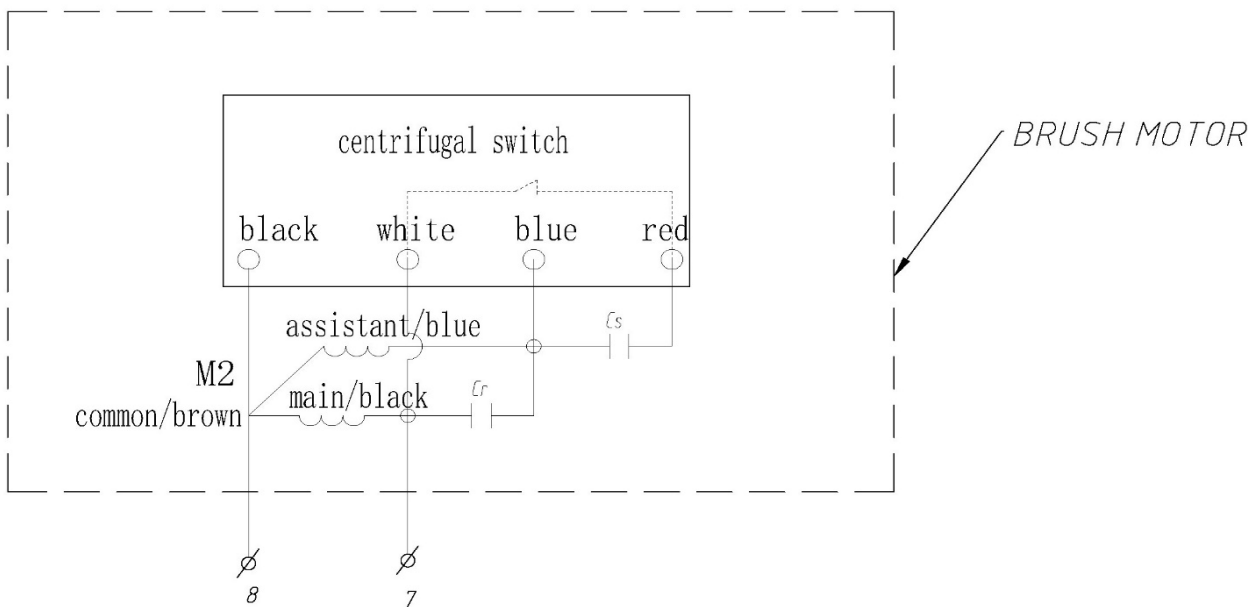
ALAVANCA RODO

Ref	Código	Número de Série	Descrição	Qty
1	CN4000038	(00001-)	M4*12 large pan head cross	2
1	41579	(00001-)	WASHER, FLAT, 08, SS	2
2	CN5000028	(00001-)	Suction lifting frame assembly welding	1
3	CN5006106	(00001-)	45B micro switch mounting plate	1
4	CN4000048	(00001-)	ST4*10 cross attack	1
5	CN5001521	(00001-)	GM50B single-pole micro switch	1
6	CN4000031	(00001-)	M3*16 pan head cross	2
7	CN5001932	(00001-)	GM50B suction lifting handle	1
8	CN4000068	(00001-)	M6 * 12 hex	1
8	CN4000373	(00001-)	M8 gasket	1

ESQUEMA ELÉTRICO



Schematic code	Name
M1	Vaccum motor
M2	Brush motor
SW1	Key switch
SW2	Vaccum switch
SW3	Brush switch
SW4	Brush upper limit switch
SOL	Solenoid valve
LED1	Status light
U1	PC
E	GND
S1	Sewage sensor
F0	5A Fuse
F1	3A Fuse
F2	5A Fuse



TENNANT[®]
C O M P A N Y

Rua Barão de Campinas, 715 - Cep.: 01201-902

Campos Elíseos, São Paulo, SP

Tel: (11) 3320-8550

Assist Tec: (11) 3320-8555

SAC: (11) 3320-8552

www.tennantco.com