

V-WD-24 / V-WD-24P Squeegee Kit

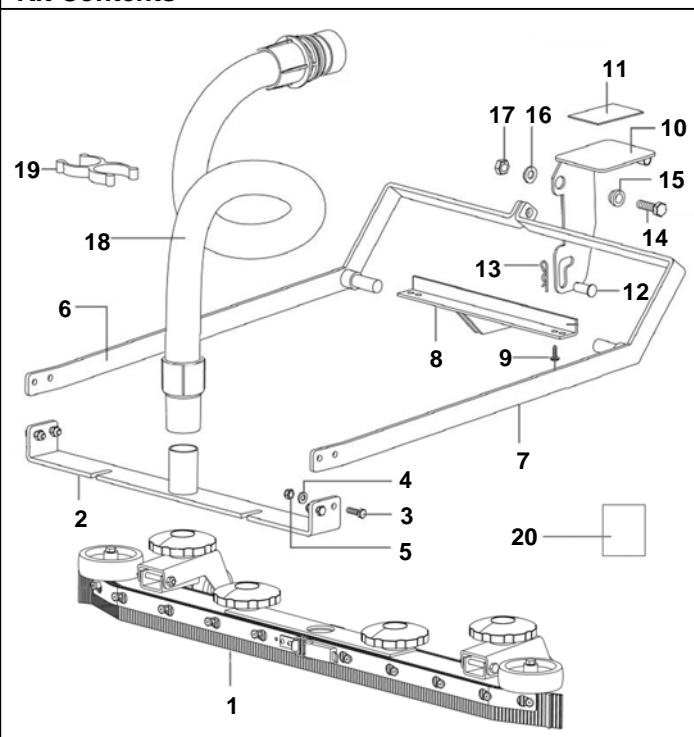


INSTALLATION INSTRUCTIONS:

Installation Time: 30 minutes

Tools Required: Phillips screwdriver, small flat head screwdriver and 10mm & 17mm wrenches

Kit Contents



Item	Part Description	Qty
1	Squeegee Assembly *	1
2	Front Squeegee Mount Plate	1
3	Screw, 6x20	4
4	Washer, M5, Steel	4
5	Nut, M5, Nylock	4
6	Lift Arm Bracket, Right	1
7	Lift Arm Bracket, Left	1
8	Pedal Support Bracket	1
9	Screw, 5x14 Black	4
10	Squeegee Pedal	1
11	Pad, Adhesive	1
12	Clevis Pin, 10x30	1
13	Cotter Pin	1
14	Screw, 10x30	1
15	Spacer Bushing	1
16	Washer, M10	1
17	Nut, M10, Nylock	1
18	Vacuum Hose	1
19	Hose Clip	1
20	Label, Squeegee Lift Instructions	1

*Replacement squeegee blades: p/n KTRI05783 (qty 2)

To order replacement parts, visit:
www.tennantco.com/manuals

1. Remove the motor head and carefully turn the machine upside down.



2. Attach the pedal support bracket to the bottom of the machine using the four black screws as shown.



3. Turn the machine upright and remove the wheel caps. Use a small flat head screwdriver to pry off caps.



4. Insert the left and right lift arms into the wheel axle as shown.



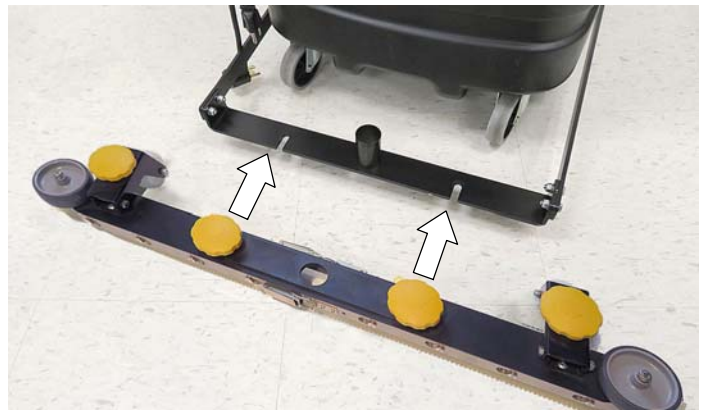
5. Connect the squeegee mount plate to the lift arms using hardware as shown.



6. Connect the squeegee pedal to the lift arms and lower support bracket using hardware as shown.



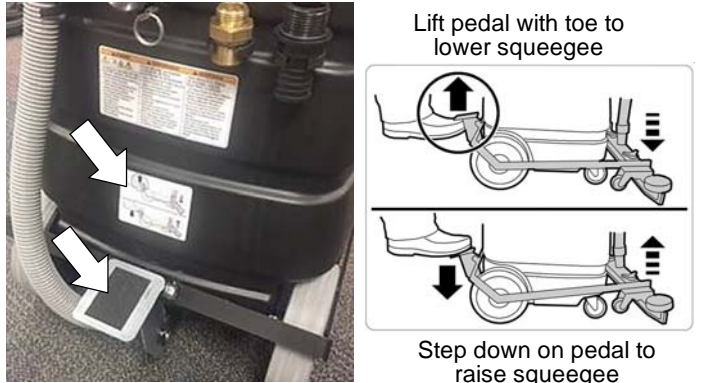
7. Attach the squeegee assembly to the squeegee mount plate as shown. Secure with yellow knobs.



8. Connect the vacuum hose. Create a loop in the hose using the hose chip as shown.



9. Adhere the squeegee instruction label on tank as shown. Adhere the step pad on the pedal as shown.



10. For optimal drying performance, the blades should flex about 45° during use. Turn the two caster adjustment knobs equally counter-clockwise to raise or clockwise to lower blades.

