

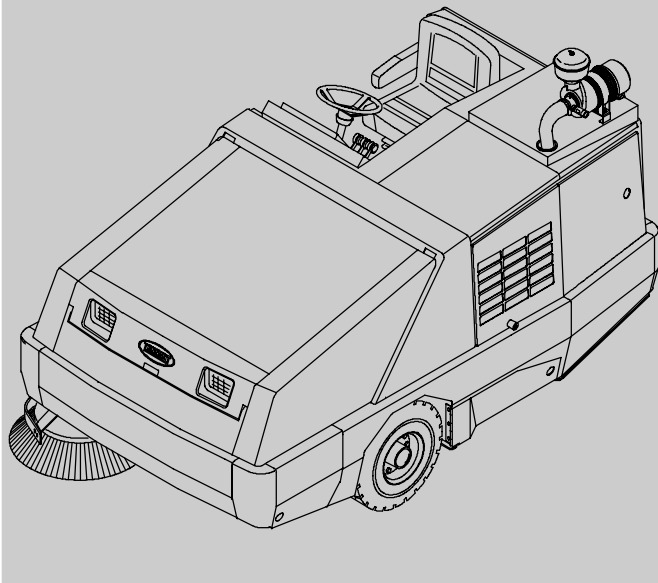
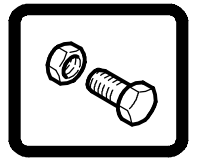


# 810

(Gas/LPG)

(SN/ 003000- )

## Sweeper Parts Manual



**North America / International**

[www.tennantco.com](http://www.tennantco.com)

330160  
Rev. 16 (07-2010)



When ordering replacement parts, use the illustrated parts list section in this manual. Before ordering parts or supplies, be sure to have your machine model number and serial number available. Only use TENNANT Company supplied or equivalent parts. Parts and supplies may be ordered online, by phone, or mail from any authorized parts and service center, distributor or from any of the manufacturer's subsidiaries.

This machine will provide excellent service. However, the best results will be obtained at minimum costs if:

- The machine is operated with reasonable care.
- The machine is maintained regularly - per the machine maintenance instructions provided.
- The machine is maintained with manufacturer supplied or equivalent parts.

#### MACHINE DATA

Please fill out at time of installation for future reference.

Model No. - \_\_\_\_\_

Serial No. - \_\_\_\_\_

Machine Options - \_\_\_\_\_

Sales Rep. - \_\_\_\_\_

Sales Rep. phone no. - \_\_\_\_\_

Customer Number - \_\_\_\_\_

Installation Date - \_\_\_\_\_

#### **Tennant Company**

PO Box 1452

Minneapolis, MN 55440

Phone: (800) 553-8033 or (763) 513-2850

[www.tennantco.com](http://www.tennantco.com)

Power Throw, II Speed and Thermo-Sentry, are US registered and unregistered trademarks of Tennant Company.

Specifications and parts are subject to change without notice.

Original instructions, Copyright © 1998-2000, 2002-2005, 2006-2010 TENNANT Company, Printed in U.S.A.

## HOW TO USE THIS MANUAL

This section on *HOW TO USE THIS MANUAL* will tell you how to:

- Find important machine information for ordering correct repair parts.
- Find TENNANT part numbers.
- Order TENNANT parts and supplies.

---

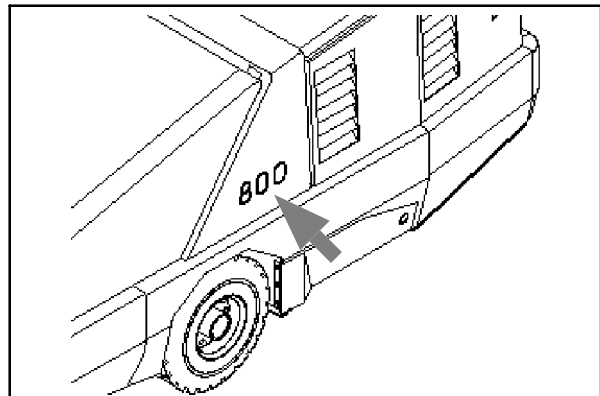
### IMPORTANT INFORMATION

---

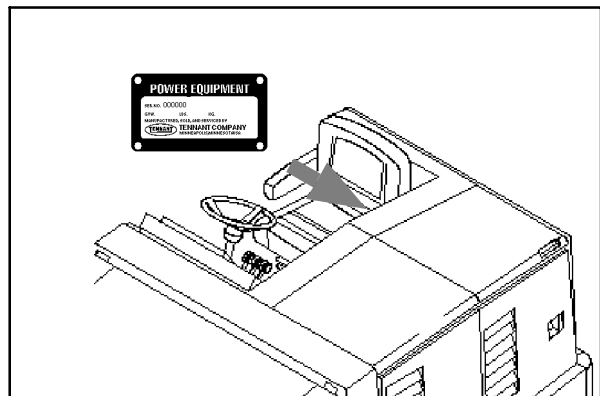
When placing an order for parts, the machine model and machine serial number are important. Refer to the *MACHINE DATA* box which is filled out during the installation of your machine. The *MACHINE DATA* box is located on the inside of the front cover of this manual.

MACHINE DATA	
<i>Please fill out at time of installation for future reference.</i>	
Machine Model Number -	810
Machine Serial Number -	_____
Machine Options -	_____
TENNANT Representative/phone no. -	_____
Customer ID Number -	_____
Date of Installation -	_____
Manual Number -	330160
Revision:	00
Published:	6-97

The model number of your machine is on the side of the machine.



The serial number of your machine is printed on the machine data plate located as shown.



# HOW TO USE THIS MANUAL

## FINDING A TENNANT PART NUMBER

This manual contains the following sections:

- HOW TO USE THIS MANUAL
- STANDARD PARTS
- OPTIONS
- BREAKDOWNS
- PERKINS ENGINE BREAKDOWN
- CAT ENGINE BREAKDOWN
- CROSS REFERENCE

The STANDARD PARTS section lists repair parts for standard machines. They are grouped in this general order:

- General wear parts.
- Machine frame and related parts.
- Machine propelling system.
- Sweeping components.
- Electrical parts.

The OPTION section lists repair parts of options.

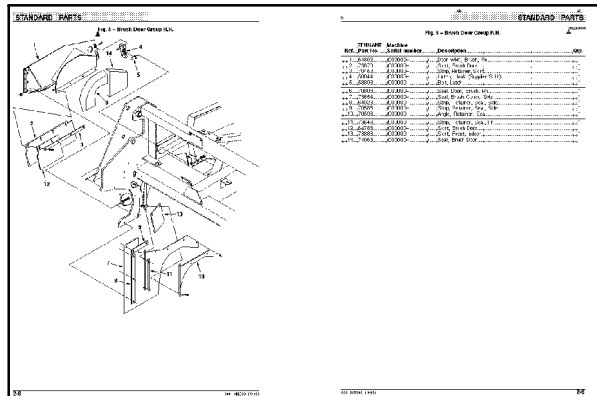
The BREAKDOWN section lists available repair parts of major components.

All sections in this manual consist of parts illustrations and corresponding parts lists.

The parts illustrations are numbered with **Ref** numbers which refer to corresponding parts lists.

The parts lists include a number of columns of information:

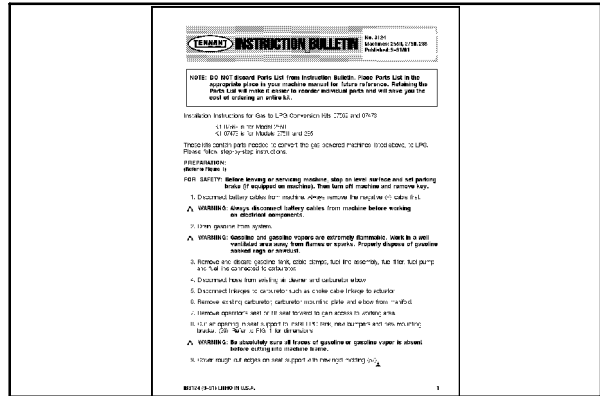
- **Ref** - column refers to the reference number on the parts illustration.
- ∇ - indicates the part is an assembly.
- ▲ - indicates the part is included in the assembly listed just before it.
- **TENNANT Part No.** - column lists the TENNANT part number for the part.
- **Serial Number** - column indicates the set of machines the part number is applicable to. Serial numbers change when the machine design has been modified. The most current design of the machine is shown in the main illustration, older designs are boxed in a corner of the illustration.
- **Description** - column is a brief description of the part.
- **Qty.** - column lists the quantity of that part used in that area of the machine.



Ref	TENNANT Part No.	Machine Serial number	Description	Qty.
1	59970	000000	Realm Kit, Instr Panel	1
2	59976	000000	Realm Kit, Case	1
3	59977	000000	Realm Kit, Seal	1
4	59974	000000	Realm Kit, Cir Board	1
5	59978	000000	Realm Kit, Hourmeter	1
6	59979	000000	Realm Kit, Touch Panel	1
7	59971	000000	Realm Kit, Lamp, Backlighting (B)	1
8	59546	000000	Realm Kit, Lamp (C)	1
9	10632-5	000000	Grommet, Rbr, 0.25id, For 09Mat	4
10	61969	000000	Switch, Rocker, Debt	1
11	57807	000000	Cover, Rocker Switch Seal	1
12	87536	000000	Switch Ignition	1
13	87866	000000	Key Set, Switch Kw	1
14	72109	000000	Realm Kit, Sun Shield	1
15	65245	000000	Panel, Cover, Dash	1
16	70637	000000	Seal, Handle, Valve	1

**NOTE:** If a service kit is installed on your machine, be sure to keep the **INSTRUCTION BULLETIN** which came with the kit. It contains repair parts numbers needed for ordering future parts.

**NOTE:** Fasteners used in this machine may be metric or non-metric. Take care when replacing hardware to replace with same thread size.



## PLACING AN ORDER

Orders may be placed by phone, fax, or by mail. Phone orders may need written confirmation. Follow the steps below to insure prompt delivery:

1. Identify the model number of your machine.
2. Identify the serial number of your machine.
3. Find the part number of the part you need. Do not order by page number or reference number. If you are not able to find the part number, call your TENNANT representative for help or send the old part as a sample.
4. Determine the quantity of the part you need.
5. Provide the following company information:
  - Company name
  - Customer ID Number
  - Shipping address
  - Billing address
  - First and last name of person ordering parts
  - Telephone number
  - Purchase order number
6. Provide definitive shipping instructions.

## HOW TO USE THIS MANUAL

---

Any claim for loss or damage to a shipment in transit should be filed promptly with the transportation company making the delivery. Shipments will be complete unless the packing list or order acknowledgement indicates items back ordered.

If parts received are suspected to be incorrect or defective, please contact the TENNANT representative from whom you ordered the part. They will give authorization for return and/or handle replacement shipments when required.

**SECTION 2**

<b>Contents</b>	<b>Page</b>
Fig. 1 - General Recommended Maintenance Items . . . . .	2-4
Fig. 2 - Brushes, Replacement . . . . .	2-5
Fig. 3 - Main Frame, Skirt and Seals Group . . . . .	2-6
Fig. 4 - Main Frame Left Brush Door Group . . . . .	2-8
Fig. 5 - Main Frame Right Brush Door Group . . . . .	2-10
Fig. 6 - Main Frame Operator Station Group . . . . .	2-12
Fig. 7 - Main Frame Engine Cover and Lintel Group . . . . .	2-14
Fig. 8 - Main Frame Engine Side Door Group (003000-004499) . . . . .	2-16
Fig. 9 - Main Frame Engine Side Door Group (004500- ) . . . . .	2-18
Fig. 10 - Hydraulic Cooler, Filter and Rear Door Group . . . . .	2-20
Fig. 11 - Hopper Lift Arms Group . . . . .	2-22
Fig. 12 - Hopper Lift Cylinders Group . . . . .	2-24
Fig. 13 - Hopper Group . . . . .	2-26
Fig. 14 - Hopper Door Group . . . . .	2-28
Fig. 15 - Hopper Cover Group . . . . .	2-30
Fig. 16 - Hopper Bumper Group . . . . .	2-32
Fig. 17 - Hopper Filter Shaker Group . . . . .	2-34
Fig. 18 - Hopper Pressure Switch Group . . . . .	2-36
Fig. 19 - Engine and Alternator Group (003000-003178) . . . . .	2-38
Fig. 20 - Engine Mount Group (003000-003178) . . . . .	2-40
Fig. 21 - Engine Group (003179-003999) . . . . .	2-42
Fig. 22 - Engine Group (004000-004499) . . . . .	2-44
Fig. 23 - Engine Group (004500- ) . . . . .	2-46
Fig. 24 - Engine Alternator Group (003179-003999) . . . . .	2-50
Fig. 25 - Engine Alternator Group (004000-004499) . . . . .	2-52
Fig. 26 - Engine Alternator Group (004500- ) . . . . .	2-54
Fig. 27 - Engine Oil Filter and Drain Group (003179- ) . . . . .	2-56
Fig. 28 - Engine Carburetor and Governor Group, Gasoline (003000-003178) . . . . .	2-58
Fig. 29 - Engine Electronic Fuel Ignition Group, Gas (003179-003999) . . . . .	2-60
Fig. 30 - Engine Electronic Fuel Ignition Group, Gas (004000-004499) . . . . .	2-62
Fig. 31 - Engine Electronic Fuel Ignition Group, Gas (004500- ) . . . . .	2-64
Fig. 32 - Engine Carburetor and Governor Group, LPG (003000-003178) . . . . .	2-66
Fig. 33 - Engine Vaporizer Group, LPG (003000-003144) . . . . .	2-68
Fig. 34 - Engine Vaporizer Group, LPG (003145-003178) . . . . .	2-70

<b>Contents</b>	<b>Page</b>
Fig. 35 - Engine Electronic Fuel Ignition and Vaporizer Group, LPG (003179-003999) . . . . .	2-72
Fig. 36 - Engine Electronic Fuel Ignition and Vaporizer Group, LPG (004000-004499) . . . . .	2-74
Fig. 37 - Engine Electronic Fuel Ignition and Vaporizer Group, LPG (004500- ) . . . . .	2-78
Fig. 38 - Engine Air Cleaner Group (003000-003178) . . . . .	2-82
Fig. 39 - Engine Air Cleaner Group (003179-003999) . . . . .	2-84
Fig. 40 - Engine Air Cleaner Group, Gas (004000-004499) . . . . .	2-86
Fig. 41 - Engine Air Cleaner Group, Gas (004500- ) . . . . .	2-88
Fig. 42 - Engine Air Cleaner Group, LPG (004000-004499) . . . . .	2-90
Fig. 43 - Engine Air Cleaner Group, LPG (004500- ) . . . . .	2-92
Fig. 44 - Engine Muffler Group (003000-003178) . . . . .	2-94
Fig. 45 - Engine Muffler Group, Catalytic (003179-003999) . . . . .	2-96
Fig. 46 - Engine Muffler Group, Catalytic (004000-004499) . . . . .	2-98
Fig. 47 - Engine Muffler Group, Catalytic (004500- ) . . . . .	2-100
Fig. 48 - Engine Fuel Tank Group, Gas (003000-003178) . . . . .	2-102
Fig. 49 - Engine Fuel Tank Group, Gas (003179-003999) . . . . .	2-104
Fig. 50 - Engine Fuel Tank Group, Gas (004000-004499) . . . . .	2-106
Fig. 51 - Engine Fuel Tank Group, Gas (004500- ) . . . . .	2-108
Fig. 52 - Engine Fuel Tank Group, LPG (003000-003178) . . . . .	2-110
Fig. 53 - Engine Fuel Tank Group, LPG (003179-003999) . . . . .	2-112
Fig. 54 - Engine Fuel Tank Group, LPG (004000-004499) . . . . .	2-114
Fig. 55 - Engine Fuel Tank Group, LPG (004500- ) . . . . .	2-116
Fig. 56 - Engine Radiator Hose Group (003000-003178) . . . . .	2-118
Fig. 57 - Engine Radiator Hose Group (003179-003999) . . . . .	2-120
Fig. 58 - Engine Radiator Hose Group (004000-004499) . . . . .	2-122
Fig. 59 - Engine Radiator Hose Group (004500- ) . . . . .	2-124

# STANDARD PARTS

Contents	Page	Contents	Page
Fig. 60 - Engine Radiator and Cooling Fan Group (003000-004048) . . . . .	2-126	Fig. 97 - Wire Harnesses Group, Gas/LPG, Injectors (004000-004499) . . . . .	2-218
Fig. 61 - Engine Radiator and Cooling Fan Group (004049-004499) . . . . .	2-128	Fig. 98 - Wire Harnesses Group, Gas/LPG, Engine (004500- ) . . . . .	2-219
Fig. 62 - Engine Radiator and Cooling Fan Group (004500- ) . . . . .	2-130	Fig. 99 - Wire Harnesses Schematic, Gas Engine (004500- ) . . . . .	2-220
Fig. 63 - Engine Battery Group (003000-004499) . . . . .	2-132	Fig. 100 - Wire Harnesses Schematic, LPG Engine (004500- ) . . . . .	2-223
Fig. 64 - Engine Battery Group (004500- ) . . . . .	2-134	Fig. 101 - Wire Harnesses Group, Gas/LPG, Adaptor (004000-004499) . . . . .	2-226
Fig. 65 - Wheel Drive Group, Rear . . . . .	2-136	Fig. 102 - Wire Harnesses Group, Gas/LPG, Adaptor (004500- ) . . . . .	2-228
Fig. 66 - Wheels and Brakes Group, Front . . . . .	2-138	Fig. 103 - Label Group . . . . .	2-230
Fig. 67 - Wheel Assembly . . . . .	2-140		
Fig. 68 - Brake Pedals Group . . . . .	2-142		
Fig. 69 - Directional Pedal Group . . . . .	2-144		
Fig. 70 - Hydraulic Pumps Group . . . . .	2-146		
Fig. 71 - Hydraulic Schematic . . . . .	2-148		
Fig. 72 - Hydraulic Hose Group (003000-003178) . . . . .	2-150		
Fig. 73 - Hydraulic Hose Group (003179- ) . . . . .	2-152		
Fig. 74 - Hydraulic Reservoir Group . . . . .	2-154		
Fig. 75 - Hydraulic Solenoid Valve Group . . . . .	2-156		
Fig. 76 - Hydraulic Lift Valve Group . . . . .	2-158		
Fig. 77 - Brush Group, Side . . . . .	2-160		
Fig. 78 - Brush Lift Group, Side . . . . .	2-164		
Fig. 79 - Brush Drive Group, Main . . . . .	2-168		
Fig. 80 - Brush Drive Group, Front . . . . .	2-170		
Fig. 81 - Brush Lift Group, Front and Main . . . . .	2-172		
Fig. 82 - Brush Adjustment Group, Main . . . . .	2-174		
Fig. 83 - Vacuum Fan Impeller Group . . . . .	2-176		
Fig. 84 - Vacuum Fan Motor Group . . . . .	2-178		
Fig. 85 - Steering Group . . . . .	2-180		
Fig. 86 - Electrical Instrument Panel Assembly . . . . .	2-182		
Fig. 87 - Electrical Circuit Breaker and Relay Group . . . . .	2-184		
Fig. 88 - Electrical Schematic (003000-003178) . . . . .	2-185		
Fig. 89 - Electrical Schematic (003179-003999) . . . . .	2-189		
Fig. 90 - Electrical Schematic (004000- ) . . . . .	2-194		
Fig. 91 - Wire Harnesses Group, Gas/LPG, Main (003000-003057) . . . . .	2-200		
Fig. 92 - Wire Harnesses Group, Gas/LPG, Hopper (003000- ) . . . . .	2-204		
Fig. 93 - Wire Harnesses Group, Gas/LPG, Tail Lights (003000- ) . . . . .	2-205		
Fig. 94 - Wire Harnesses Group, Gas/LPG, Main (003058-003178) . . . . .	2-206		
Fig. 95 - Wire Harnesses Group, Gas/LPG, Main (003179- ) . . . . .	2-210		
Fig. 96 - Wire Harnesses Group, Gas/LPG, Engine (004000-004499) . . . . .	2-215		

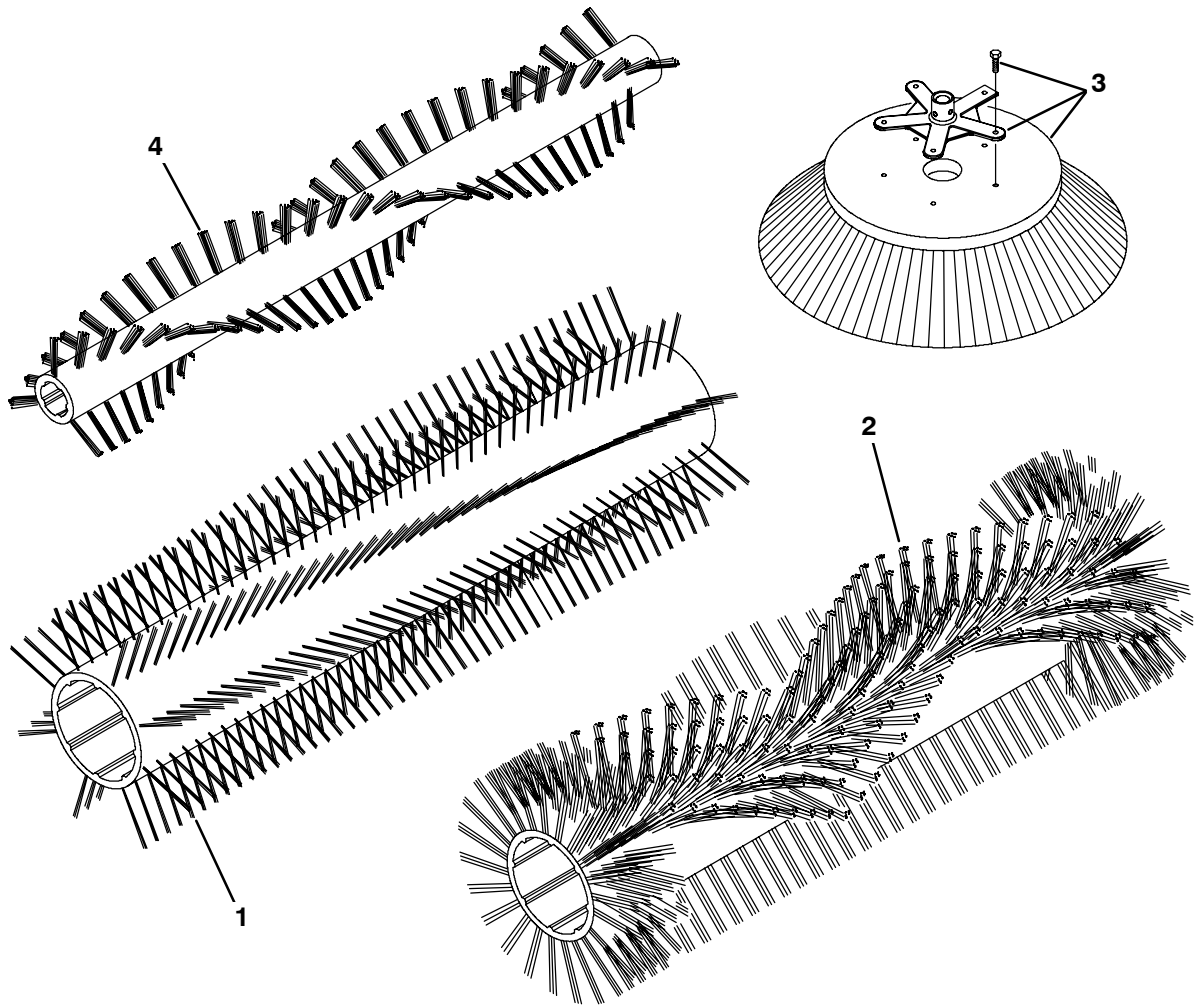




**Fig. 1 - General Recommended Maintenance Items**

Ref.	Part No.	Serial Number	Description	Qty.
▽	77632	(003000-	) Maintenance Kit, Skirts	1
▲	73870	(003000-	) Skirt, Brush Door	2
▲	64788	(003000-	) Skirt, Brush Door	2
▲	70453	(003000-	) Strip, Retainer, Skirt	2
▲	62955	(003000-	) Skirt, Seal, Main Brush	1
▲	62957	(003000-	) Channel, Retainer, Seal, Rear	1
▲	62954	(003000-	) Blade, Deflector	1
▲	62956	(003000-	) Strap, Retainer, Seal	1
▲	43500	(003000-	) Chain, Link#2/0, 7Links	1
▽	79031	(003000-	) Maintenance Kit, Skirts 810	1
▲	64919	(003000-	) Seal, Pan, Top	1
▲	64920	(003000-	) Channel, Retainer	1
▲	70807	(003000-	) Seal, Brush Comp, Side	2
▲	73889	(003000-	) Skirt, Slotted	2
▽	380709	(003000-003178	) Maintenance Kit, 400HR 800/810 gas	1
▲	39703-2	(003000-003178	) Filter Element, Oil, Cont. Gas-SE	4
▲	60846	(003000-003178	) Spark Plug-10 FD	4
▲	84883	(003000-003178	) Valve, PCV	1
▲	36050	(003000-003178	) Filter, Fuel	2
▲	60933	(003000-004499	) Element, Filter, Air	1
▲	60934	(003000-004499	) Element, Filter, Air	1
▽	380710	(003000-003178	) Maintenance Kit, 400HR 800/810 lpg	1
▲	39703-2	(003000-003178	) Filter Element, Oil, Cont. Gas-SE	4
▲	60846	(003000-003178	) Spark Plug-10 FD	4
▲	84883	(003000-003178	) Valve, PCV	1
▲	60933	(003000-004499	) Element, Filter, Air	1
▲	60934	(003000-004499	) Element, Filter, Air	1
▽	77634	(003000-	) Maintenance Kit, 800HR 800/810	1
▲	34306	(003000-	) Breather, Hyd 40Mic No Ds	1
▲	31613	(003000-	) Strainer-Hyd Suction 25-100-03	1
▲	10664	(003000-	) Filter Assy, Spin-on	1
▲	1057711	(003000-	) Oil, Hyd [El, Iso 100, 05gal]	3
	1057708	(003000-	) Oil, Hyd [El, Iso 32, 05gal]	3
	393982	(003179-	) Element, Fltr, Oil, Eng, Spin-on[Gm]	1
	393934	(003179-004499	) Sparkplug [Gm 3.0]	4
	9006586	(004500-	) Sparkplug	4
	372652	(004500-	) Element, Fltr, Air [Dn]	1
	372651	(004500-	) Element, Fltr, Air	1

Fig. 2 - Brushes, Replacement



07628 - 810

Ref.	Part No.	Serial Number	Description	Qty.	
1	35326	(003000-	) Brush-Sweep -Polypropylene	1	
1	35324	(003000-	) Brush-Sweep -Polypropylene&Wire	1	
1	35327	(003000-	) Brush-Sweep -Wire	1	
1	35325	(003000-	) Brush-Outsd -Polypropylene	1	
1	35336	(003000-	) Brush-Patrl -Nylon	1	
1	35323	(003000-	) Brush-Sweep -Nylon (24SR)	1	
1	66020	(004000-	) Brush-Sweep -Nylon (8DR)	1	
2	370011	(003000-	) Brush, Swp, Wedge, Polypropylene	1	
▽	3	75011	(003000-	) Brush-Side Swp -Assy-Nylon	1
▲		51021N	(003000-	) Brush-Side Swp -Nylon	1
▲		1042969	(003000-	) Hub, Drive, Brush, Side, 1.00b 8.8bc	1
▲		39394	(003000-	) Screw, Hex, .31-09 X 1.25, Wood	5
▽	3	75010	(003000-	) Brush-Side Swp -Assy-Flat Wire	1
▲		51542	(003000-	) Brush-Side Swp -Flat Wire	1
▲		1042969	(003000-	) Hub, Drive, Brush, Side, 1.00b 8.8bc	1
▲		39394	(003000-	) Screw, Hex, .31-09 X 1.25, Wood	5
▽	3	70649	(003000-	) Brush-Side Swp -Assy-Polypropylene	1
▲		70538	(003000-	) Brush-Side Swp -Polypropylene	1
▲		1042969	(003000-	) Hub, Drive, Brush, Side, 1.00b 8.8bc	1
▲		39394	(003000-	) Screw, Hex, .31-09 X 1.25, Wood	5
4	70471	(003000-	) Brush-Sweep -Polypropylene	1	

Fig. 3 - Main Frame, Skirt and Seals Group

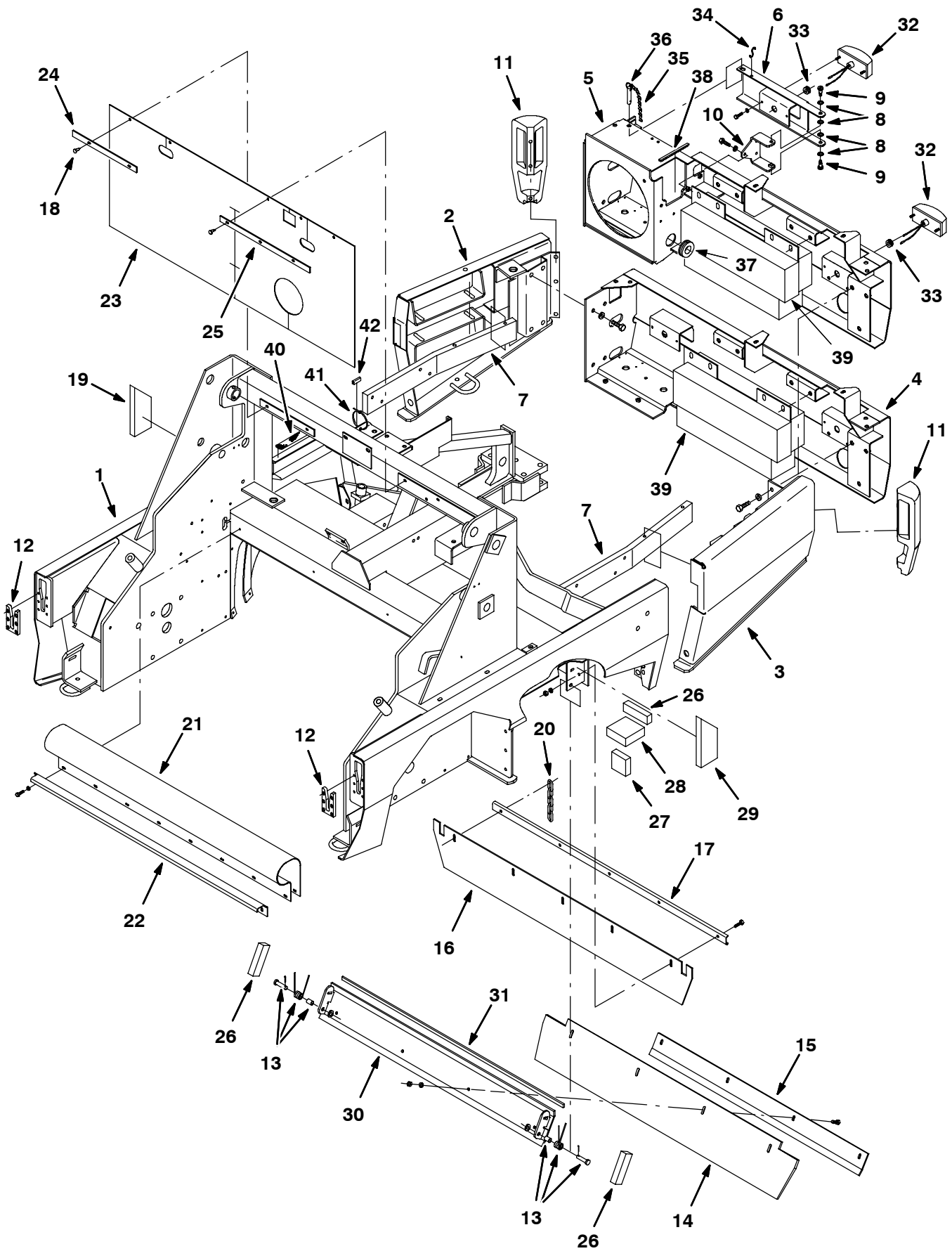


Fig. 3 - Main Frame Skirt and Seals Group

Ref.	Part No.	Serial Number	Description	Qty.	
1	77777	(003000-	) Frame	1	
2	77782	(003000-	) Panel Wldt, Rear, Rh	1	
3	77734	(003000-	) Panel Wldt, Rear, Lh	1	
4	79680	(003000-004499	) Bumper Wldt., Rear, Gas/Die	1	
4	1028300	(004500-	) Bumper Wldt, Rear, Gas/Dsl	1	
5	79681	(003000-004499	) Bumper Wldt., Rear, LPG	1	
5	1032075	(004500-	) Bumper Wldt, Rear, Lpg	1	
6	77680	(003000-	) Door, Bumper, Lpg	1	
7	77593	(003000-	) Bar, Frame	2	
8	86860	(003000-	) Bearing, Thrust .500	4	
9	36758	(003000-	) Scr-Shld .500Dx0.50L .38-16	2	
10	70517	(003000-	) Bracket	1	
11	63544	(003000-	) Bumper, Corner, Mach	2	
12	63663	(003000-	) Plate, Guide, Bumper	2	
13	69904	(003000-	) Spring, Recirculation	1	
14	62954	(003000-	) Blade, Deflector	1	
15	62956	(003000-	) Strap, Retainer, Seal	1	
16	62955	(003000-	) Skirt, Seal, Main Brush	1	
17	62957	(003000-	) Channel, Retainer, Seal,Rear	1	
18	21168	(003000-	) Clip, Pine-Tree .250h Plastic	5	
19	74066	(003000-	) Insulation, S/Foam	1	
20	43500	(003000-	) Chain,Link#2/0,7Links	1	
21	64919	(003000-	) Seal, Pan, Top	1	
22	64920	(003000-	) Channel, Retainer	1	
23	73724	(003000-	) Shield, Dust	1	
24	70843	(003000-	) Strip, Retainer, Shield, Rh	1	
25	70844	(003000-	) Strip, Retainer, Shield, Lh	1	
26	74064	(003000-	) Insulation, S/Foam	4	
27	73863	(003000-	) Insulation, S/Foam 1.0X3.0X3.0	2	
28	73862	(003000-	) Insulation, S/Foam 1.5X4.0X4.0	2	
29	74067	(003000-	) Insulation, S/Foam	1	
30	73645	(003000-	) Channel, Mounting	1	
31	79010	(003000-	) Seal	1	
▽	32	57941	(003000-	) Light Assy Stop/Red 12V- . A	2
▲	45780	(003000-	) Bulb, 12V .5A 4Cp #1157	1	
33	87515	(003000-	) Grommet,Rbr,0.50ld,For .25Matl	2	
34	43363	(003000-	) Hook, S-.120 X 1.31, Zinc Pl.	1	
35	06121	(003000-	) Chain, Sash, #35, 06.0l 11 Link	1	
36	79608	(003000-	) Pin, Hitch .50D X 1.50L	1	
37	74920	(003000-	) Grommet, Flexible .25	1	
38	79670	(003000-	) Strip, Edging	1	
39	79671	(003000-	) Weight, LPG/Gas	1	
40	86798	(003000-	) Pad, Tread	1	
41	49263	(003000-	) Tie, Cable, Nyl, 11.4l .19w 3.0 Max D	1	
42	361160	(003000-	) Molding, Trim, Pvc, .08-.11 01.0l	1	

Fig. 4 - Main Frame Left Brush Door Group

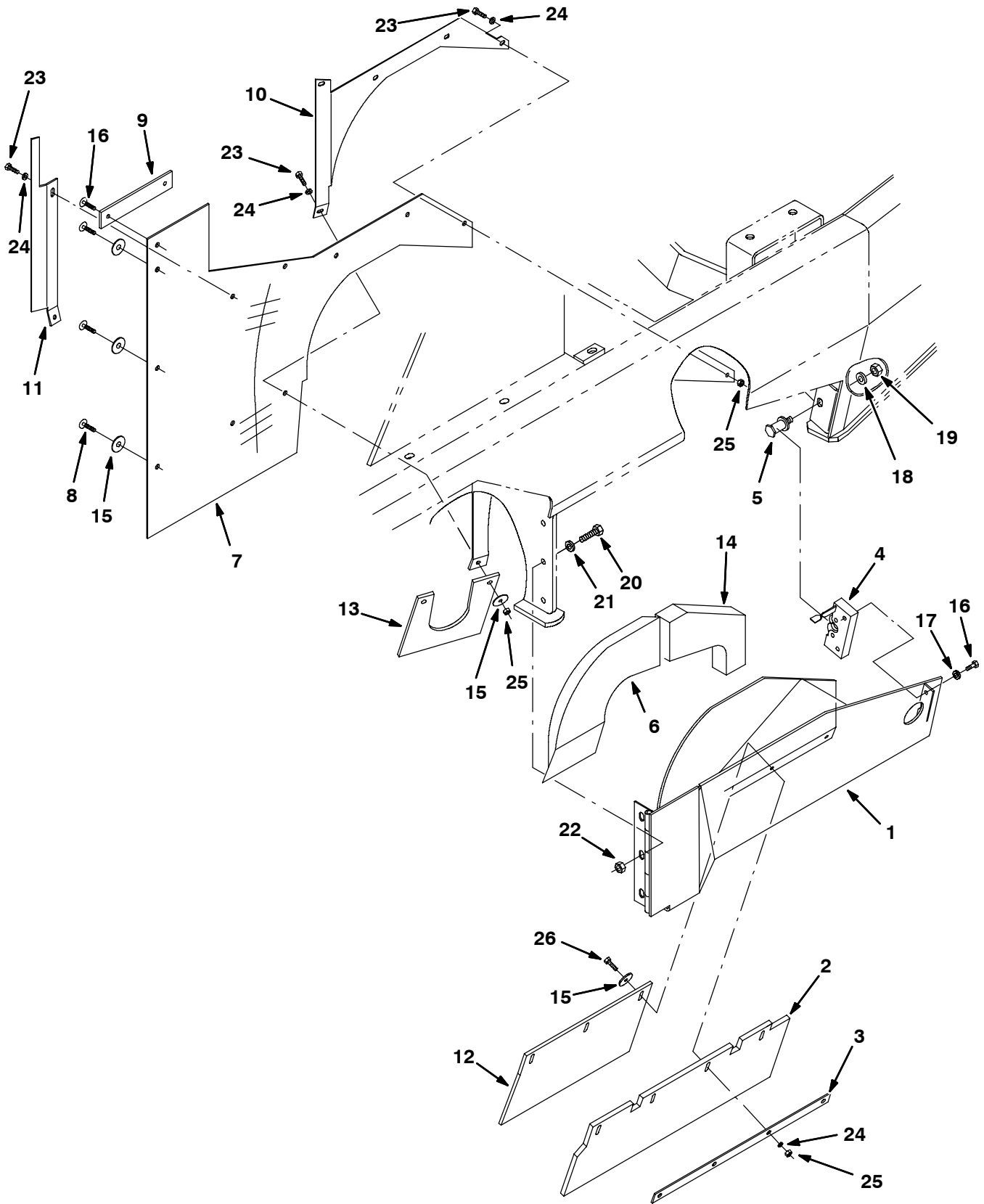


Fig. 4 - Main Frame Left Brush Door Group

Ref.	Part No.	Serial Number	Description	Qty.
1	64801	(003000-	) Door Wldt, Brush, Lh	1
2	73870	(003000-	) Skirt, Brush Door	1
3	70453	(003000-	) Strip, Retainer, Skirt	1
4	58489	(003000-	) Latch, Hook (Supplier's Rh)	1
5	58898	(003000-	) Bolt, Latch	1
6	70809	(003000-	) Seal, Door, Brush, Lh	1
7	70807	(003000-	) Seal, Brush Comp, Side 810	1
8	21168	(003000-	) Rivet, Plastic	5
9	21282	(003000-	) Strip, Retainer, Seal, Side	1
10	70597	(003000-	) Angle, Retainer, Seal	1
11	73649	(003000-	) Strip, Retainer, Seal, Lh	1
12	64788	(003000-	) Skirt, Brush Door	1
13	73889	(003000-	) Skirt, Slotted	1
14	74062	(003000-	) Seal, Brush Door	1
15	41178	(003000-	) Fender Washer	7
16	34323	(003000-	) Screw, Hex, .25-20 X 0.75, NI	2
17	41185	(003000-	) Washer, Flat, Belleville, .25	2
18	39346	(003000-	) Washer, Flat, 0.44, Std	1
19	43955	(003000-	) Nut, Hex, Std, .44-14, 5	1
20	39283	(003000-	) Screw, Hex, M10 X 1.5 X 25, 8.8	3
21	32492	(003000-	) Washer, Flat, 0.38, Std	3
22	07792	(003000-	) Nut, Hex, Flng, M10 X 1.50	3
23	06944	(003000-	) Screw, Hex, M6 X 1.0 X 25, 8.8	5
24	32483	(003000-	) Washer, Flat, 0.25, Sae	14
25	08708	(003000-	) Nut, Hex, Lock, M6 X 1.00, NI	11
26	06946	(003000-	) Screw, Hex, M6 X 1.0 X 35, 8.8	4

Fig. 5 - Main Frame Right Brush Door Group

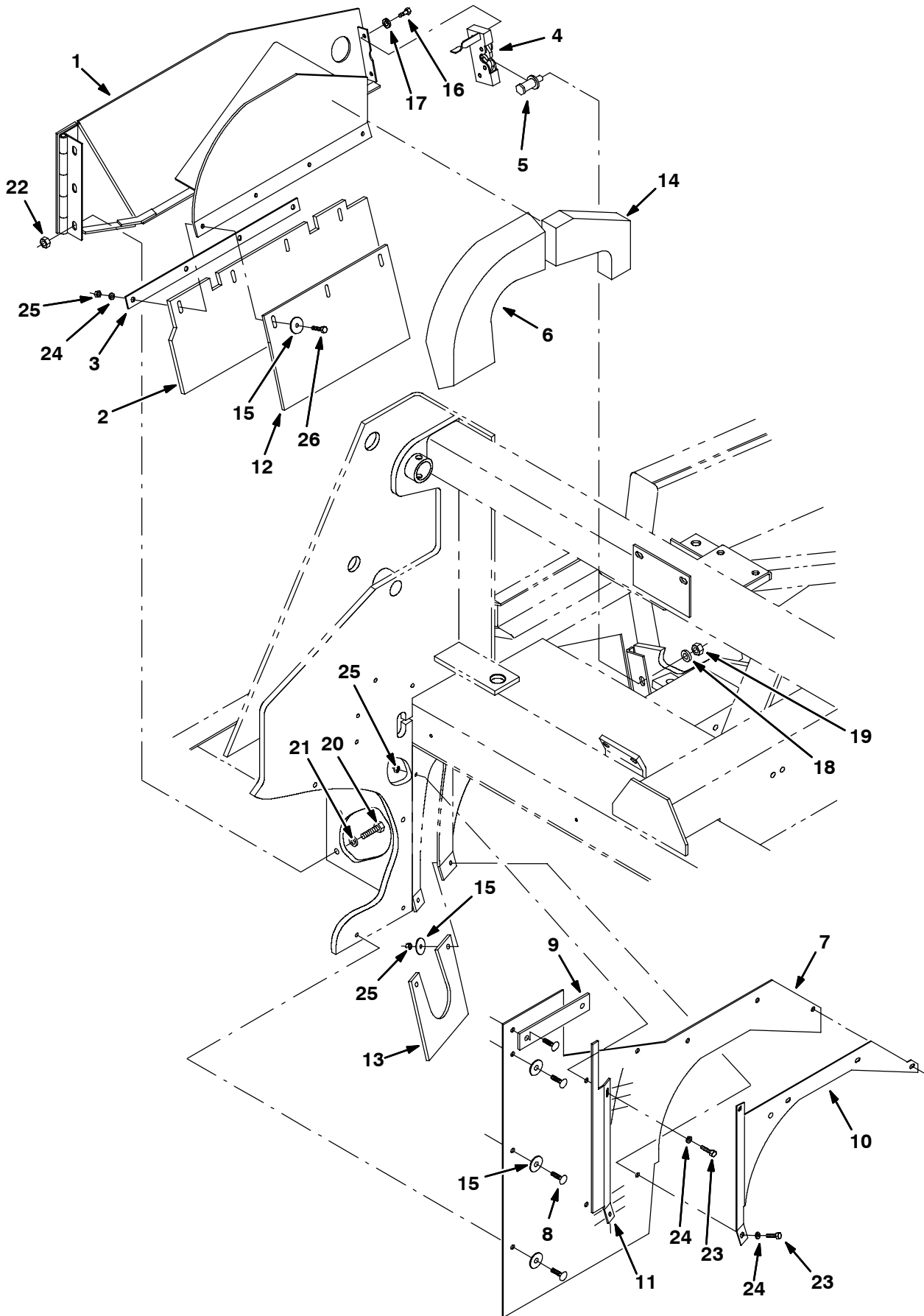




Fig. 5 - Main Frame Right Brush Door Group

Ref.	Part No.	Serial Number	Description	Qty.
1	64802	(003000-	) Door Wldt, Brush, Rh	1
2	73870	(003000-	) Skirt, Brush Door	1
3	70453	(003000-	) Strip, Retainer, Skirt	1
4	58844	(003000-	) Latch, Hook (Supplier's Lh)	1
5	58898	(003000-	) Bolt, Latch	1
6	70808	(003000-	) Seal, Door, Brush, Rh	1
7	70807	(003000-	) Seal, Brush Comp, Side 810	1
8	21168	(003000-	) Rivet, Plastic	5
9	21282	(003000-	) Strip, Retainer, Seal, Side	1
10	70598	(003000-	) Angle, Retainer, Seal	1
11	73648	(003000-	) Strip, Retainer, Seal, Rh	1
12	64788	(003000-	) Skirt, Brush Door	1
13	73889	(003000-	) Skirt, Slotted	1
14	74063	(003000-	) Seal, Brush Door	1
15	41178	(003000-	) Fender Washer	9
16	34323	(003000-	) Screw, Hex, .25-20 X 0.75, NI	2
17	41185	(003000-	) Washer, Flat, Belleville, .25	2
18	39346	(003000-	) Washer, Flat, 0.44, Std	1
19	43955	(003000-	) Nut, Hex, Std, .44-14, 5	1
20	39283	(003000-	) Screw, Hex, M10 X 1.5 X 25, 8.8	3
21	32492	(003000-	) Washer, Flat, 0.38, Std	3
22	07792	(003000-	) Nut, Hex, Flng, M10 X 1.50	3
23	06944	(003000-	) Screw, Hex, M6 X 1.0 X 25, 8.8	5
24	32483	(003000-	) Washer, Flat, 0.25, Sae	14
25	08708	(003000-	) Nut, Hex, Lock, M6 X 1.00, NI	11
26	06946	(003000-	) Screw, Hex, M6 X 1.0 X 35, 8.8	4

Fig. 6 - Main Frame Operator Station Group

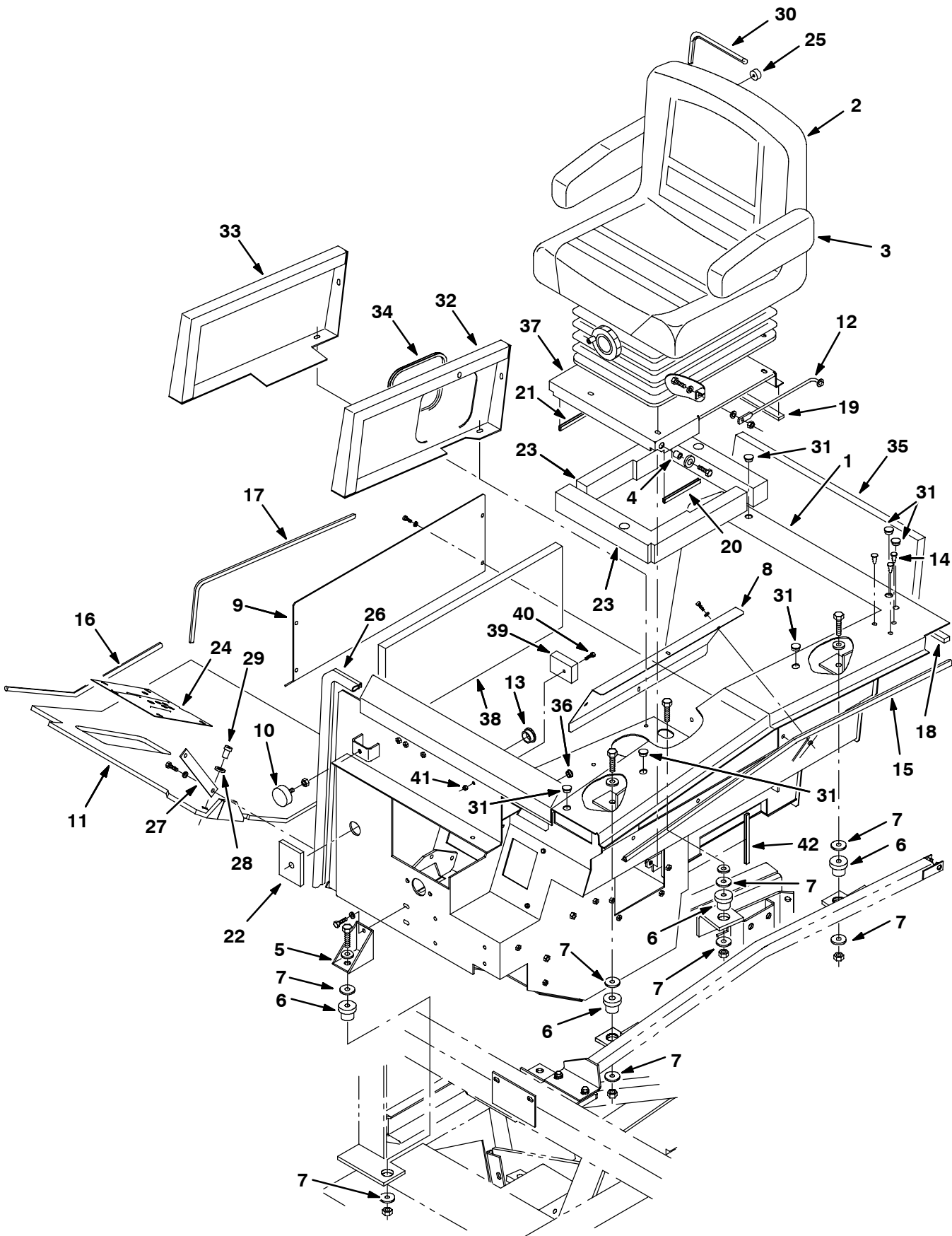


Fig. 6 - Main Frame Operator Station Group

Ref.	Part No.	Serial Number	Description	Qty.
	1	380680	(003000- ) Panel Wldt w/label	1
▽	2	63294	(003000- ) Seat, Suspension	1
▲	3	311336	(003000- ) Armrest, Black	1
	4	40716	(003000- ) Sleeve, .385B .62D .62 Cd.Cad	2
	5	63751	(003000- ) Bracket, Oper Comp	1
	6	51176	(003000- ) Dampner, Engine	4
	7	04414	(003000- ) Washer, .531B 1.88D .12Hard Zn	8
	8	64884	(003000- ) Panel, Cover, Access	1
	9	70450	(003000-003084 ) Panel, Air Conditioning	1
	9	375696	(003085- ) Panel, Air Conditioning	1
	10	70756	(003000- ) Bumper, Rubber	1
	11	76495	(003000- ) Tread, Floormat, Rubber	1
	12	54615	(003000- ) Rod, Seat	1
	13	76888	(003000- ) Plugbtn 1.25h .12 Max Blacknyl	1
	14	77399	(003000- ) Clip, Pine-tree .236h Plastic	3
	15	57820	(003000- ) Seal, 48.0 Lg.	1
	16	73903	(003000- ) Seal, Bulb, Sd-0504 24.50Lg	1
	17	73901	(003000- ) Seal, 7.00 Lg	1
	18	74081	(003000- ) Seal	1
	19	44777	(003000- ) Seal,Foam Rbr, .31 .75W 14.8L	1
	20	62595-3	(003000- ) Molding, Trim 11-14Ga 5.75	1
	21	62595-2	(003000- ) Molding, Trim 11-14Ga 15.75	1
	22	79028	(003000- ) Seal, Rod, Adjuster	1
▽		76494	(003000- ) Sealing Kit, Operator Comp	1
▲	23	76285	(003000- ) Insulation, S/Foam, Seat	2
▲	24	79116	(003000- ) Seal, Dust	1
	25	82921	(003000- ) Bumper, Rubber	1
	26	77340	(003000- ) Seal, Bulb, Sd-0504 28.00 Lg	1
	27	76492	(003000- ) Bar, Retainer	1
	28	41178	(003000- ) Washer-Flt .25 Fender Rltd.	1
	29	21246	(003000- ) Rivet, Plastic .325D X .787	1
	30	49282	(003000- ) Molding, Trim 16Ga&Thinnr 10.0	1
	31	75428	(003000- ) Plugbtn .75h .03-.12 Blacknyl	7
	32	380728	(003000- ) Panel, Fuel Inlet w/label	1
	33	70704	(003000- ) Panel, Fuel, Inlet, Lpg	1
	34	380692	(003000- ) Trim	1
	35	23946	(003000- ) Insulation	1
	36	33806	(003000- ) Plugbutton	1
	37	70478	(003000- ) Panel, Support, Seat	1
	38	375698	(003000- ) Insulation, Acstc, 1.o 09.9w 25.0l	1
	39	382422	(003000- ) Timer, 12vdc, 5 Sec On Delay	1
	40	24199	(003000- ) Screw, Hex, M5 X 0.8 X 16, Ss	1
	41	09739	(003000- ) Nut, Hex, Lock, M5 X 0.8, NI, Ss	1
	42	62595-16	(003000- ) Molding, Trim, Pvc, .08-.11 08.5l	1

Fig. 7 - Main Frame Engine Cover and Lintel Group

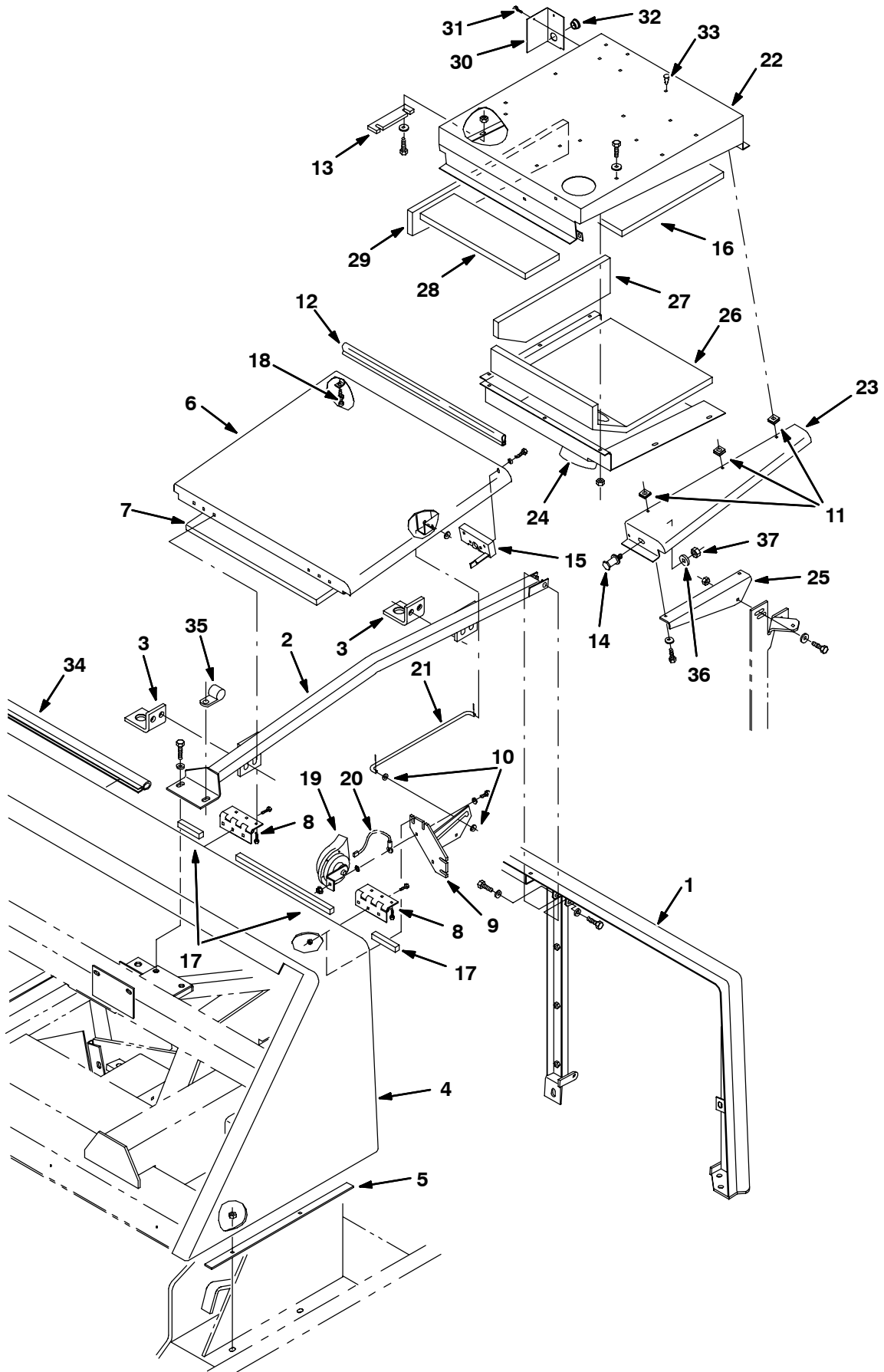


Fig. 7 - Main Frame Engine Cover and Lintel Group

Ref.	Part No.	Serial Number	Description	Qty.
1	64312	(003000-	) Lintel, Rear	1
2	380533	(003000-	) Tube Wldt, Brace, Center	1
3	380532	(003000-	) Bracket, Brace Center	2
4	64278	(003000-	) Lintel, Main	1
5	64279	(003000-	) Strip, Spacer	2
6	75303	(003000-	) Cover Wldt, Engine Se	1
7	76870	(003000-	) Insulation,S/Foam .8X19.3X20.3	1
8	74040	(003000-	) Hinge	2
9	21131	(003000-	) Bracket Wldt, Gas Spring	1
10	43454	(003000-	) Washer, .344B .69D .06Nylon	2
11	12271	(003000-	) M6 U-Nut Clip	3
12	77778	(003000-	) Seal, Bulb, Sd-0504 19.75Lg	1
13	21230	(003000-	) Plate, Support, Cover Se	1
14	59192	(003000-	) Latch, Bolt	1
15	58844	(003000-	) Latch, Hook, Rh	1
16	375537	(003000-	) Insulation, S/Foam .5T 17.0X	1
17	53461-2	(003000-	) Seal,Foam Rbr, .62 .62W 24.5L	1
18	75128	(003000-	) Spindle, Adjustment	1
19	369704	(003000-	) Horn, 12 Volt	1
20	21643	(003000-	) Wire, Lead	1
21	75883	(003000-	) Rod, Support Cover	1
22	375536	(003000-004003	) Panel Wldt, Cover Engine	1
22	1014456	(004004-	) Panel Wldt, Cover Engine	1
23	77711	(003000-	) Panel, Cover, Corner	1
24	47958	(003000-	) Panel, Vacuum Duct	1
25	375513	(003000-	) Bracket, L 12.0L Hood Support	1
26	380761	(003000-	) Insulation, S/Foam, .8T 17.0X15	1
27	380762	(003000-	) Insulation, S/Foam, .8T 18.0X4.5	1
28	380763	(003000-	) Insulation, S/Foam, .8T 16.5X5	1
29	380764	(003000-	) Insulation, S/Foam, .8T 23.0X4X3	1
30	380760	(003000-	) Panel, Corner, Eng Cover	1
31	55845	(003000-	) Scr-Hxfmgm 5X0.8 16 pltd	1
32	82727	(003000-	) Plugbutton .88H .03-.12 Blacknyl	1
33	77399	(003000-	) Clip, Tree	11
34	55756	(003000-	) Seal	1
35	58366	(003000-	) Clamp, Cable, Stl, 1.25d X 1.00w, 1h	1
36	41619	(003000-	) Washer, Flat, 0.56b 1.38d .11, Ss	1
37	07788	(003000-	) Nut, Hex, Std, M12 X 1.75, Ss	1

**Fig. 8 - Main Frame Engine Side Door Group (003000-004499)**

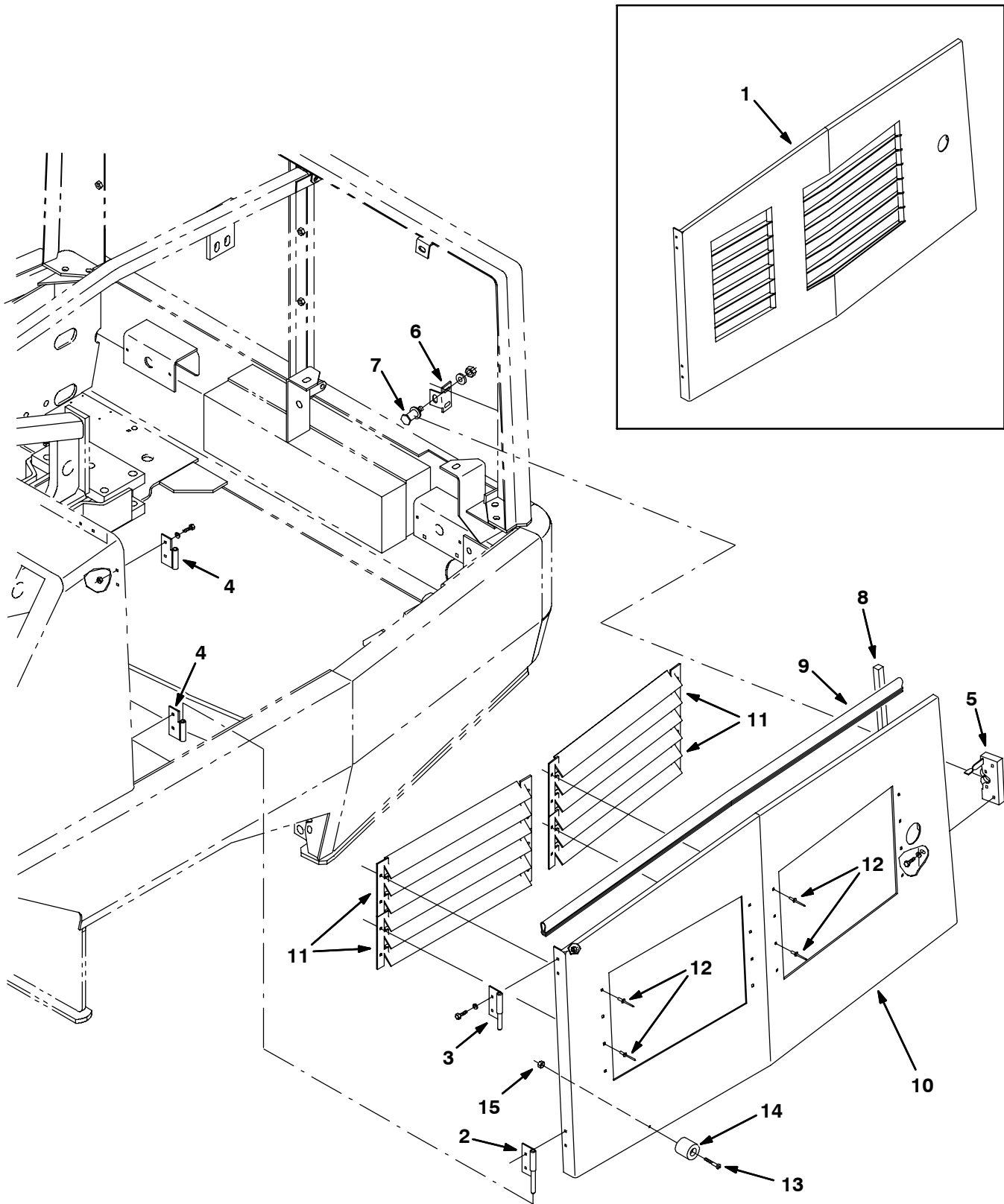


Fig. 8 - Main Frame Engine Side Door Group (003000-004499)

Ref.	Part No.	Serial Number	Description	Qty.
1	23950	(003000-003081 )	Door Wldt, Engine	1
2	64543	(003000-004499 )	Hinge, W/Pin	1
3	70628	(003000-004499 )	Hinge, W/Pin	1
4	64545	(003000-004499 )	Hinge	2
5	58489	(003000-004499 )	Latch, Hook Rh	1
6	70407	(003000-004499 )	Angle, Bolt, Latch	1
7	59192	(003000-004499 )	Latch, Bolt	1
8	53461-2	(003000-004499 )	Seal,Foam Rbr, .62 .62W 24.5L	1
9	57820	(003000-004499 )	Seal, 48.0 Lg.	1
10	375695	(003082-004499 )	Door Wldt, Engine	1
11	375693	(003082-004499 )	Panel, Louver	4
12	06524	(003082-004499 )	Rivet, Pop	16
13	09258	(003171-004499 )	Screw, Pan, M 6 X 1.0 X 40, 4.8	1
14	44851	(003171-004499 )	Bumper, Rbr, 1.5d 1.50 0.28h	1
15	08708	(003171-004499 )	Nut, Hex, Lock, M06 X 1.0, NI	1
16	32493	(003000-004499 )	Washer, Flat, 0.50, Std	1
17	39313	(003000-004499 )	Nut, Hex, Std, M12 X 1.75	1

Fig. 9 - Main Frame Engine Side Door Group (004500- )

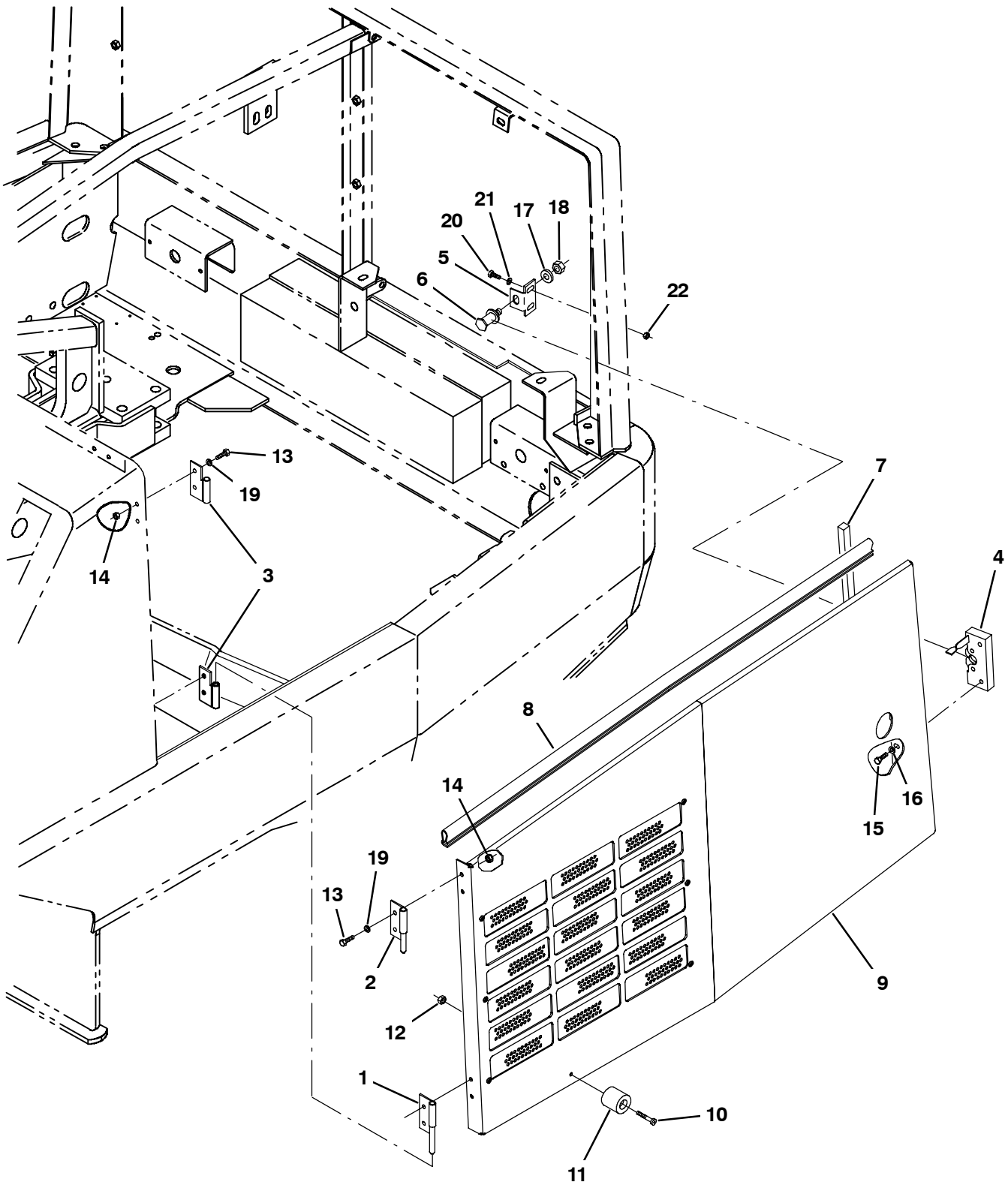




Fig. 9 - Main Frame Engine Side Door Group (004500- )

Ref.	Part No.	Serial Number	Description	Qty.	
1	64543	(004500-	) Hinge, W/Pin	1	
2	70628	(004500-	) Hinge, W/Pin	1	
3	64545	(004500-	) Hinge	2	
4	58489	(004500-	) Latch, Hook Rh	1	
5	70407	(004500-	) Angle, Bolt, Latch	1	
6	59192	(004500-	) Latch, Bolt	1	
7	53461-2	(004500-	) Seal,Foam Rbr, .62 .62W 24.5L	1	
8	57820	(004500-	) Seal, 48.0 Lg.	1	
▽	9	1046389	(004500-	) Door Assy [800/810 08]	1
▲		9004327	(004500-	) Screen Kit, Door, Side, Modif	1
10	09258	(004500-	) Screw, Pan, M 6 X 1.0 X 40, 4.8	1	
11	44851	(004500-	) Bumper, Rbr, 1.5d 1.50 0.28h	1	
12	08708	(004500-	) Nut, Hex, Lock, M06 X 1.0, NI	1	
13	06943	(004500-	) Screw, Hex, M6 X 1.0 X 20, 8.8	8	
14	07790	(004500-	) Nut, Hex, Flng, M6 X 1.00	8	
15	34323	(004500-	) Screw, Hex, .25-20 X 0.75, NI	2	
16	32490	(004500-	) Washer, Flat, 0.25, Std	2	
17	32493	(004500-	) Washer, Flat, 0.50, Std	1	
18	39313	(004500-	) Nut, Hex, Std, M12 X 1.75	1	
19	41185	(004500-	) Washer, Flat, Belleville, .25	8	
20	16931	(004500-	) Screw, Hex, M8 X 1.25 X 20, 8.8	2	
21	32491	(004500-	) Washer, Flat, 0.31, Std	2	
22	39311	(004500-	) Nut, Hex, Std, M8 X 1.25	2	

## Fig. 10 - Hydraulic Cooler, Filter and Rear Door Group

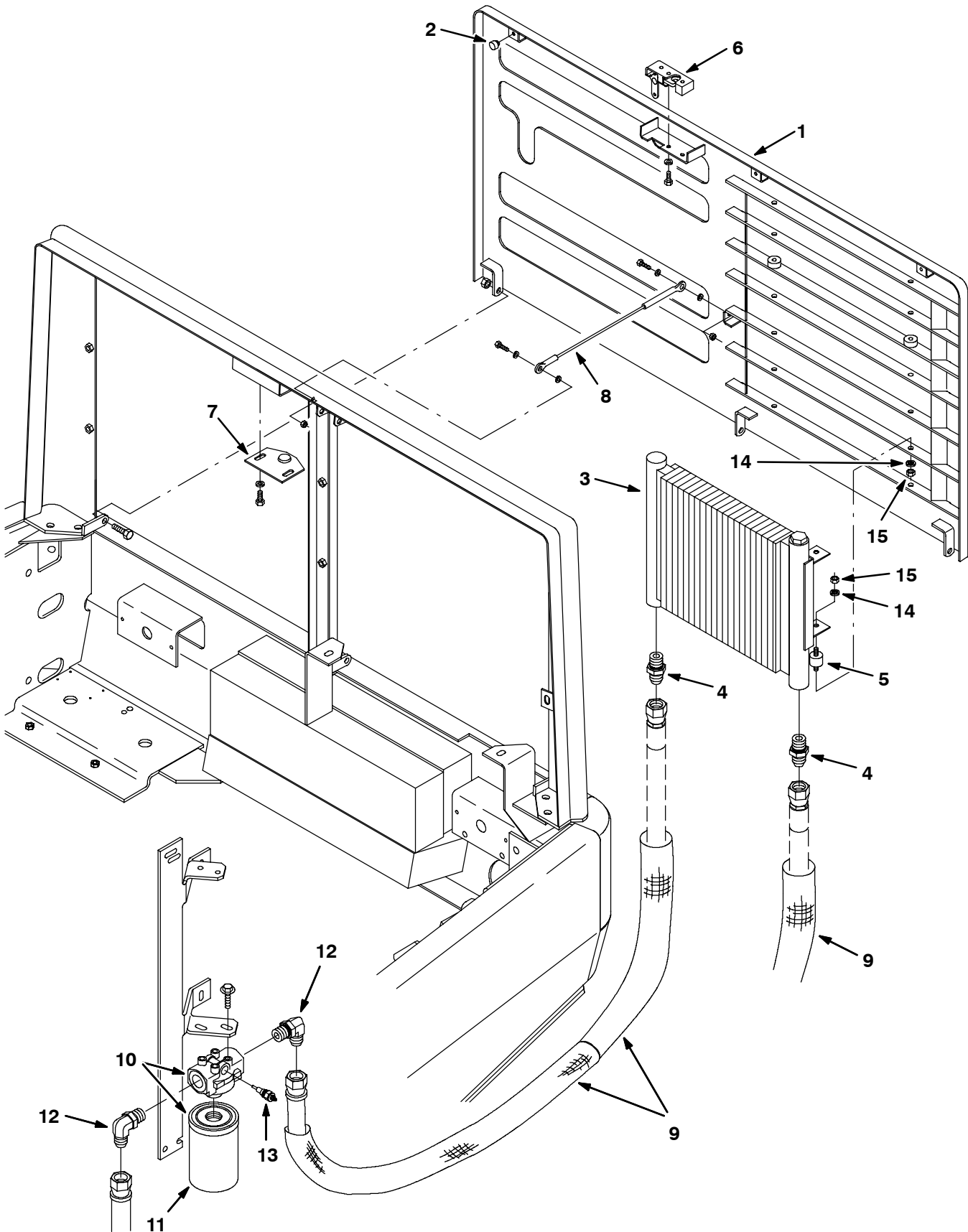


Fig. 10 - Hydraulic Cooler, Filter and Rear Door Group

Ref.	Part No.	Serial Number	Description	Qty.
1	48006	(003000-	) Door Wldt, Rear	1
2	51787	(003000-	) Bumper, Rubber	3
3	64419	(003000-	) Cooler-Hyd	1
4	42260	(003000-	) Ftg-Hyd Str Jm12/Om12	2
5	51322	(003000-	) Isolator-Vibration .31-18	4
6	59661	(003000-	) Latch	1
7	65252	(003000-	) Plate, Striker	1
8	36192	(003000-	) Lanyard Assy.	1
9	82830	(003000-	) Sleeve, Nyl 16.0 L	3
▽	10	10664	(003000-) Filter Assy, Spin-on	1
▲	11	65221	(003000-) Filter Element	1
	12	46481	(003000-) Ftg-Hyd E90 Jm12/om12	2
	13	65222	(003000-) Sender, Filter, Hydraulic	1
	14	32984	(003000-) Washer, Lock, Int, 0.31	4
	15	19313	(003000-) Nut, Hex, Std, .31-18	4

Fig. 11 - Hopper Lift Arms Group

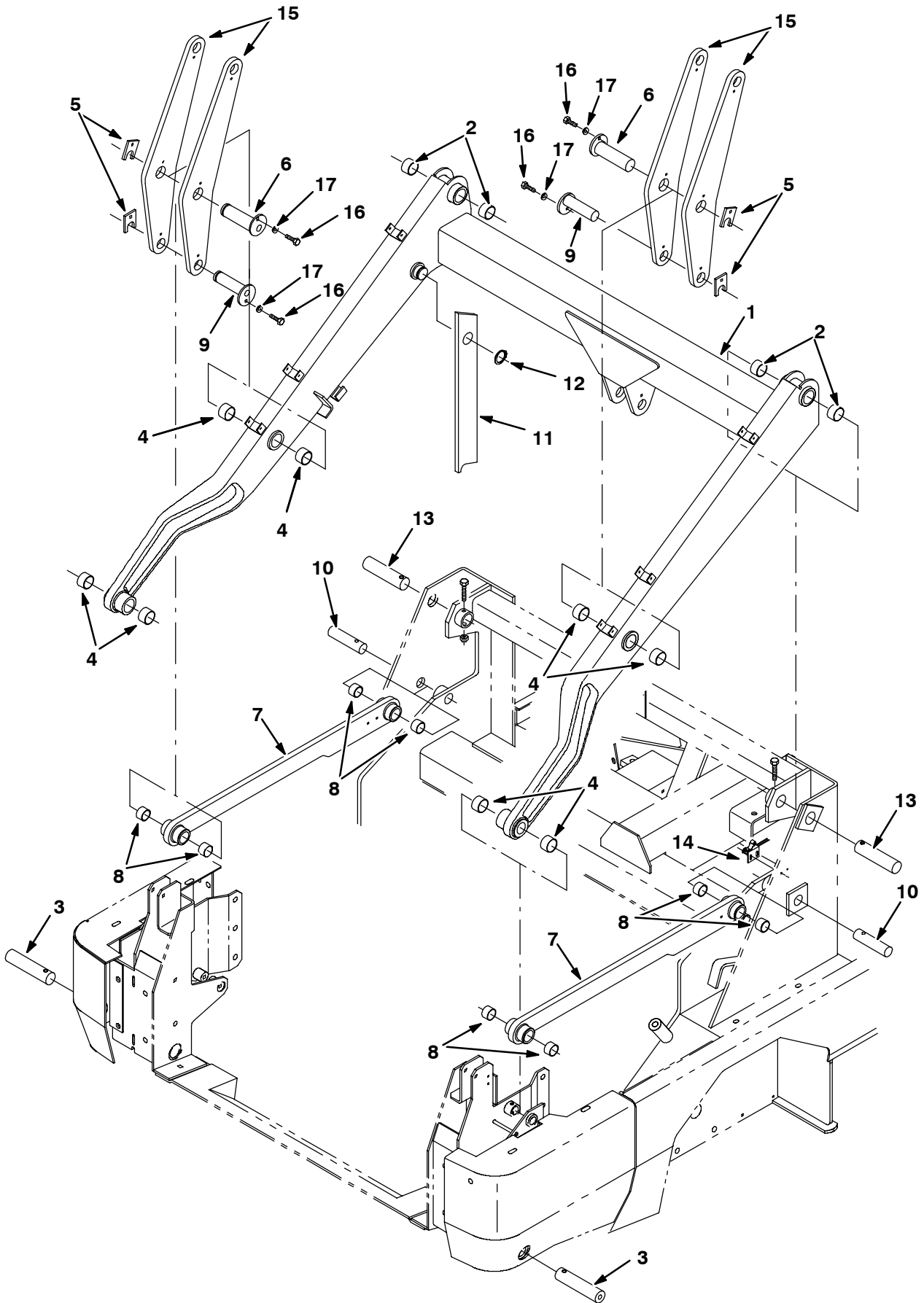


Fig. 11 - Hopper Lift Arms Group

Ref.	Part No.	Serial Number	Description	Qty.
1	75861	(003000-	) Arm Wldt, Hopper Lift w label	1
2	58293	(003000-	) Bearng-Journal	4
3	77463	(003000-	) Pin, 1.500 0Dx7.81, Drilled	2
4	58293	(003000-	) Bearng-Journal	8
5	83554	(003000-	) Plate, Pin Retainer	4
6	83551	(003000-	) Pin Weldt.	2
7	1053518	(003000-	) Arm, Lift, Hppr, Lower	2
8	57936	(003000-	) Bearing-Journal	2
9	83553	(003000-	) Pin Weldt.	2
10	76470	(003000-	) Pin	2
11	380681	(003000-	) Arm, Safety W/Label	1
12	63926	(003000-	) Ring, Retaining, Ex 1.5 Dia Hd	1
13	76471	(003000-	) Pin	2
14	59965	(003000-	) Switch, Roller	1
15	83549	(003000-	) Plate, Link	4
16	10959	(003000-	) Screw, Hex, M10 X 1.5 X 20, Ss, NI	4
17	32492	(003000-	) Washer, Flat, 0.38 Std	4

Fig. 12 - Hopper Lift Cylinders Group

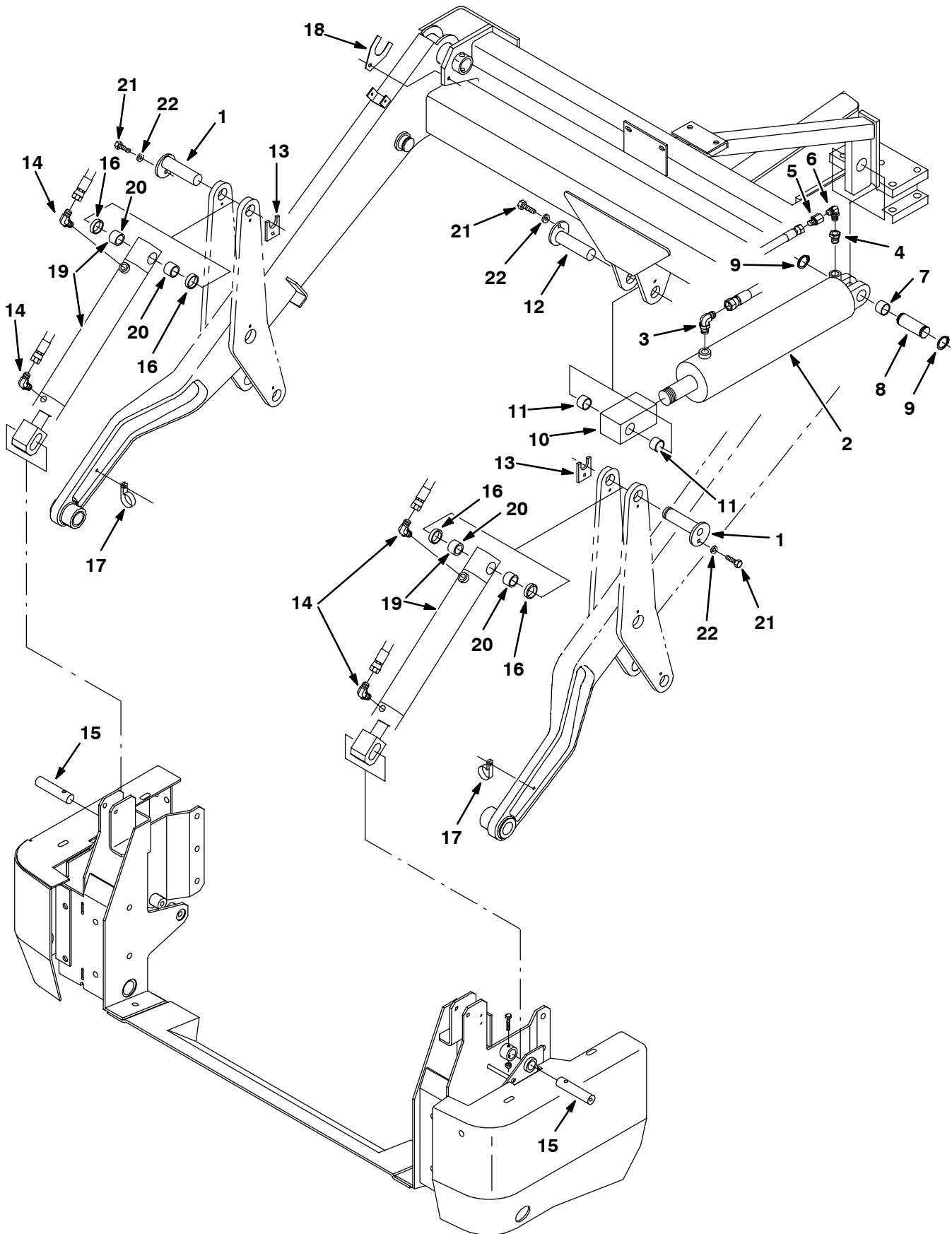


Fig. 12 - Hopper Lift Cylinders Group

Ref.	Part No.	Serial Number	Description	Qty.
1	83553	(003000-	) Pin Wldt.	2
2	1026719	(003000-	) Cylinder, Hyd, 4.0b 29.1l 14.50strk 2500 (See Breakdowns)	1
3	47512	(003000-	) Ftg-Hyd E90 Jm06/Om08	1
4	55686	(003000-	) Ftg-Hyd Str Jm04/Om08	1
5	16456	(003000-	) Ftg-Hyd Rst Jm04/.063	1
6	39210	(003000-	) Ftg-Hyd E90 Jm04/Jf04	1
7	59866	(003000-	) Bearing, Journal	1
8	63583	(003000-	) Pin, 1.25 Odx 3.50, Grooved	1
9	58359	(003000-	) Retaining Ring-External, 1.25D	2
10	64156	(003000-	) Bar, Cylinder End	1
11	57936	(003000-	) Bearing-Journal	2
12	83553	(003000-	) Pin, 1.250 Od X 4.50	1
13	83554	(003000-	) Plate, Pin Retainer	2
14	47638	(003000-	) Ftg-Hyd E90 Jm04/Om06	4
15	63584	(003000-	) Pin, 1.00 Odx 4.50, Drilled	2
16	83555	(003000-	) Spacer	4
17	67767	(003000-	) Clamp-Cable,.69Dia. 62Wth	2
18	75891	(003000-	) Plate, Spacer	2
▽	19	1042110	(003000-) Cylinder, Hyd, 2.0b 23.8l 14.90strk 2500	2
▲	20	57936	(003000-) Bearing-Journal	2
21	10959	(003000-	) Screw, Hex, M10 X 1.5 X 20, Ss, NI	3
22	32492	(003000-	) Washer, Flat, 0.38 Std	3

Fig. 13 - Hopper Group

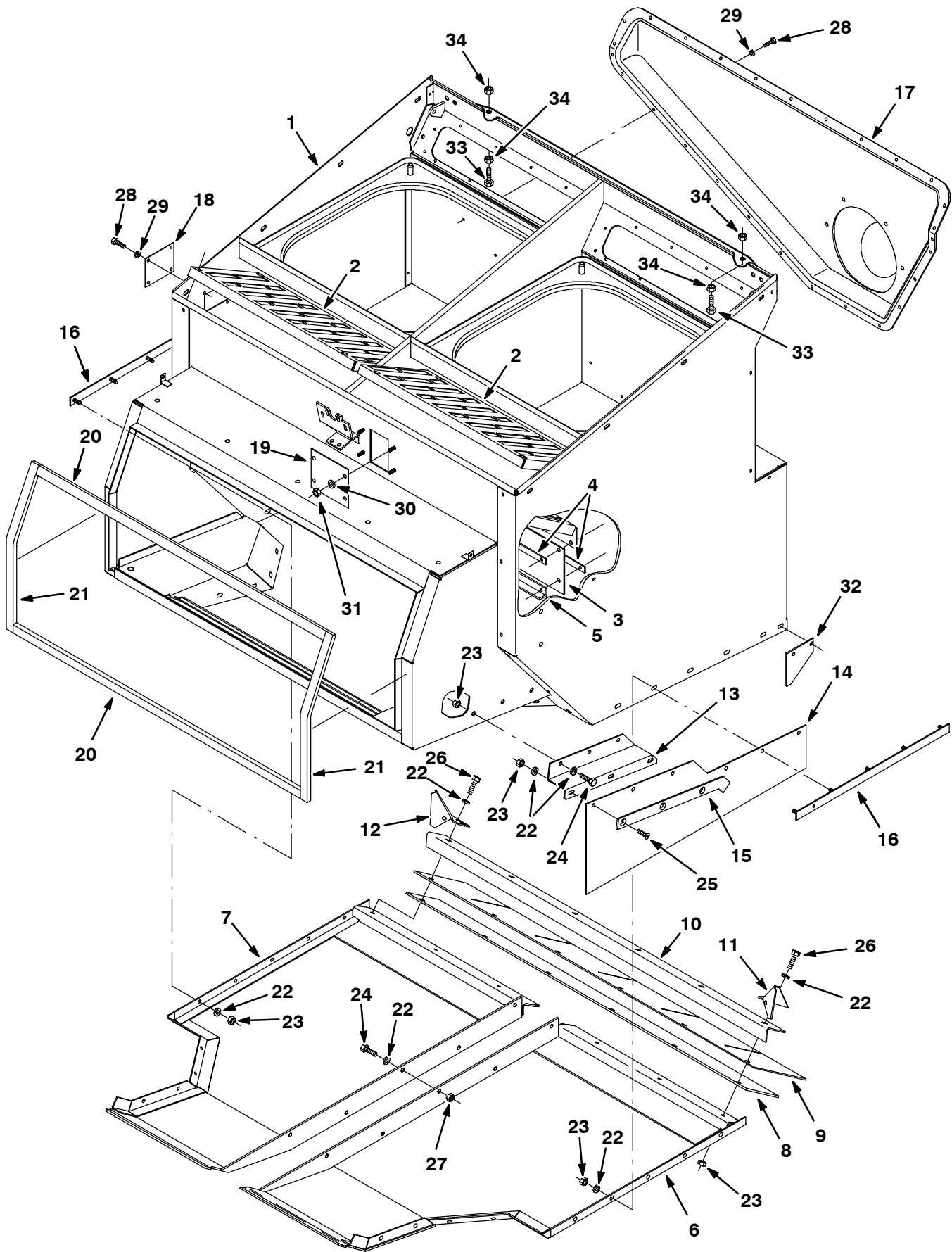




Fig. 13 - Hopper Group

Ref.	Part No.	Serial Number	Description	Qty.
1	76487	(003000-	) Hopper Wldt	1
2	63665	(003000-	) Panel, Permafilter, Upper	2
3	63667	(003000-	) Seal, Dust	1
4	63668	(003000-	) Bar, Retainer, Dust Seal	2
5	63669	(003000-	) Angle, Dust Seal	1
6	76475	(003000-	) Panel, Hopper, Bottom, Lh	1
7	76472	(003000-	) Panel, Bottom, Hopper, Rh	1
8	73678	(003000-	) Skirt, Lip	1
9	73679	(003000-	) Skirt, Lip	1
10	63647	(003000-	) Angle, Retainer, Lip	1
11	74046	(003000-	) Panel, Deflector, Dirt, Rh	1
12	74045	(003000-	) Panel, Deflector, Dirt, Lh	1
13	73772	(003000-	) Bracket, Mtg, Skirt	1
14	73771	(003000-	) Skirt, Deflector	1
15	73749	(003000-	) Strip, Retainer, Skirt, Front	1
16	79139	(003000-	) Strip, Hopper	2
17	70388	(003000-	) Duct, Inlet, Vac Fan	1
18	74069	(003000-	) Plate, Cover	1
19	73887	(003000-	) Plate, Cover	1
20	79597	(003000-	) Seal, Foam, Urethane Covered	2
21	79600	(003000-	) Seal, Foam, Urethane Covered	2
22	01685	(003000-	) Washer, Flat, 0.38b 0.88d .08, Ss	27
23	08713	(003000-	) Nut, Hex, Lock, M8 X 1.25, NI, Ss	22
24	09740	(003000-	) Screw, Hex, M8 X 1.25 X 20, Ss	18
25	79506	(003000-	) Screw, Flt, M8 X 1.25 X 30, Ss	3
26	09011	(003000-	) Screw, Hex, M8 X 1.25 X 30, Ss	6
27	07791	(003000-	) Nut, Hex, Flng, M8 X 1.25	15
28	74455	(003000-	) Screw, Hex, M6 X 1.0 X 12, Fmg	33
29	19066	(003000-	) Washer, Flat, #10	33
30	39349	(003000-	) Washer, Flat, 0.31, Sae	4
31	08709	(003000-	) Nut, Hex, Lock, M8 X 1.25, NI	4
32	70470	(003000-	) Lip, Side, Hopper	2
33	06972	(003000-	) Screw, Hex, M12 X 1.75 X 60, 8.8	2
34	39313	(003000-	) Nut, Hex, Std, M12 X 1.75	4

Fig. 14 - Hopper Door Group

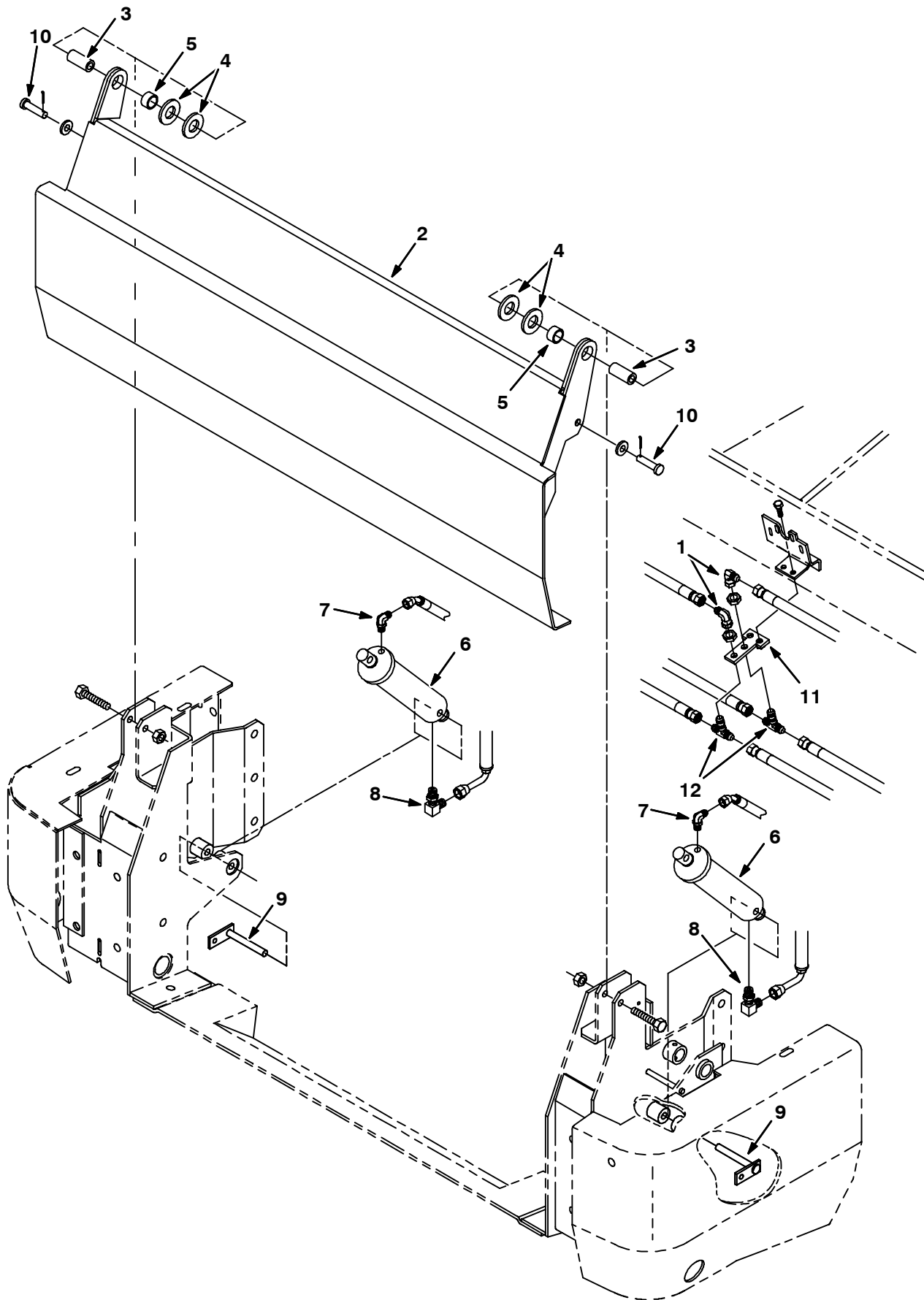


Fig. 14 - Hopper Door Group

Ref.	Part No.	Serial Number	Description	Qty.
1	39210	(003000-	) Ftg-Hyd E90 Jm04/Jf04	2
2	83618	(003000-	) Door Wldt, Hopper	1
3	79138	(003000-	) Sleeve, Pivot, Door	2
4	79596	(003000-	) Washer, 1.015B 1.75D .11Hrs	4
5	35688	(003000-	) Bearing, Journal	2
6	1041090	(003000-	) Cylinder, Hyd, 2.0b 12.0l 08.00strk 2500	2
7	82825	(003000-	) Ftg-Hyd E90 Jm04/Om04	2
8	77097	(003000-	) Ftg-Hyd E90 Jm04/Om04	2
9	64893	(003000-	) Pin	2
10	21722	(003000-	) Pin, Clevis .50 Dia X 2.25 Lg	2
11	75012	(003000-	) Bracket, Mtg, Ftg	1
12	34392	(003000-	) Ftg-Hyd Tee Jm04Jmjm	2

**Fig. 15 - Hopper Cover Group**

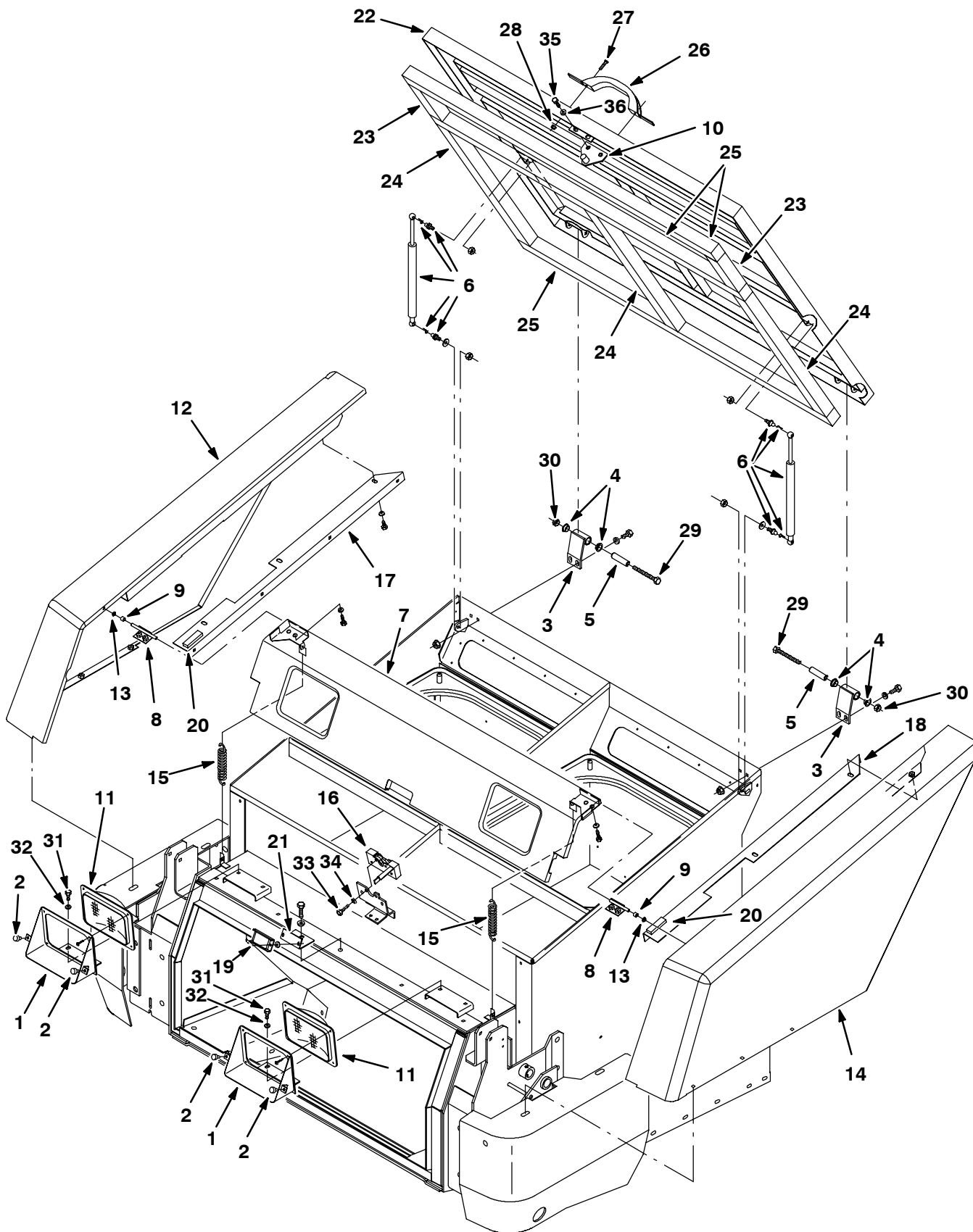


Fig. 15 - Hopper Cover Group

Ref.	Part No.	Serial Number	Description	Qty.	
1	77388	(003000-	) Bracket, Mounting, Headlamp	2	
2	51787	(003000-	) Bumper, Rubber	4	
3	70762	(003000-	) Hinge	2	
4	04843	(003000-	) Bearing, Flange .625 Bore	4	
5	70761	(003000-	) Tube, 0.62D .44B 2.44, Stl	2	
6	69906	(003000-	) Spring-Gas, Engine Cover	2	
7	77394	(003000-	) Panel, Headlight	1	
8	70730	(003000-	) Hinge	2	
9	74015	(003000-	) Sleeve, .320B .32D .49 Lc Stl	2	
10	70742	(003000-	) Pin Wldt, Latch	1	
11	58524	(003000-	) Headlight, 12V.Rect.	2	
12	65278	(003000-	) Panel Wldt, Fender, Rh	1	
13	11747	(003000-	) Bearing, Nylon	2	
14	65281	(003000-	) Panel Wldt, Fender, Lh	1	
15	01274	(003000-	) Sprng,Tens,0.965Odx.09Wire4.4L	2	
16	79019	(003000-	) Latch, Hook, Rh, Single Catch	1	
17	75047	(003000-	) Bracket, Rh	1	
18	75046	(003000-	) Bracket, Lh	1	
19	63378	(003000-	) Magnet, Drive Brush	1	
20	79591	(003000-	) Bumper, Cover, Hopper	2	
21	77400	(003000-	) Angle, Mount	1	
▽	22	21221	(003000-	) Cover Assy, Hopper	1
▲	23	375564	(003000-	) Seal, Urethane Covered Foam	2
▲	24	375565	(003000-	) Seal, Urethane Covered Foam	3
▲	25	375566	(003000-	) Seal, Urethane Covered Foam	3
▲	26	381962	(003111-	) Handle, Container	1
▲	27	382726	(003111-	) Screw, Pan, m06	2
▲	28	08708	(003111-	) Nut, Hex Lock m06	2
	29	03193	(003000-	) Screw, Hex, M10 X 1.5 X 90, 8.8	2
	30	41430	(003000-	) Nut, Hex, Lock, M10 X 1.5, NI	2
	31	16931	(003000-	) Screw, Hex, M8 X 1.25 X 20, 8.8	4
	32	32491	(003000-	) Washer, Flat, 0.31 Std	4
	33	12274	(003000-	) Screw, Hex, M6 X 1.0 X 20, 8.8, NI	4
	34	19066	(003000-	) Washer, Flat, #10	4
	35	16735	(003000-	) Screw, Hex, M8 X 1.25 X 16, 8.8	2
	36	41186	(003000-	) Washer, Belleville, .31	2

Fig. 16 - Hopper Bumper Group

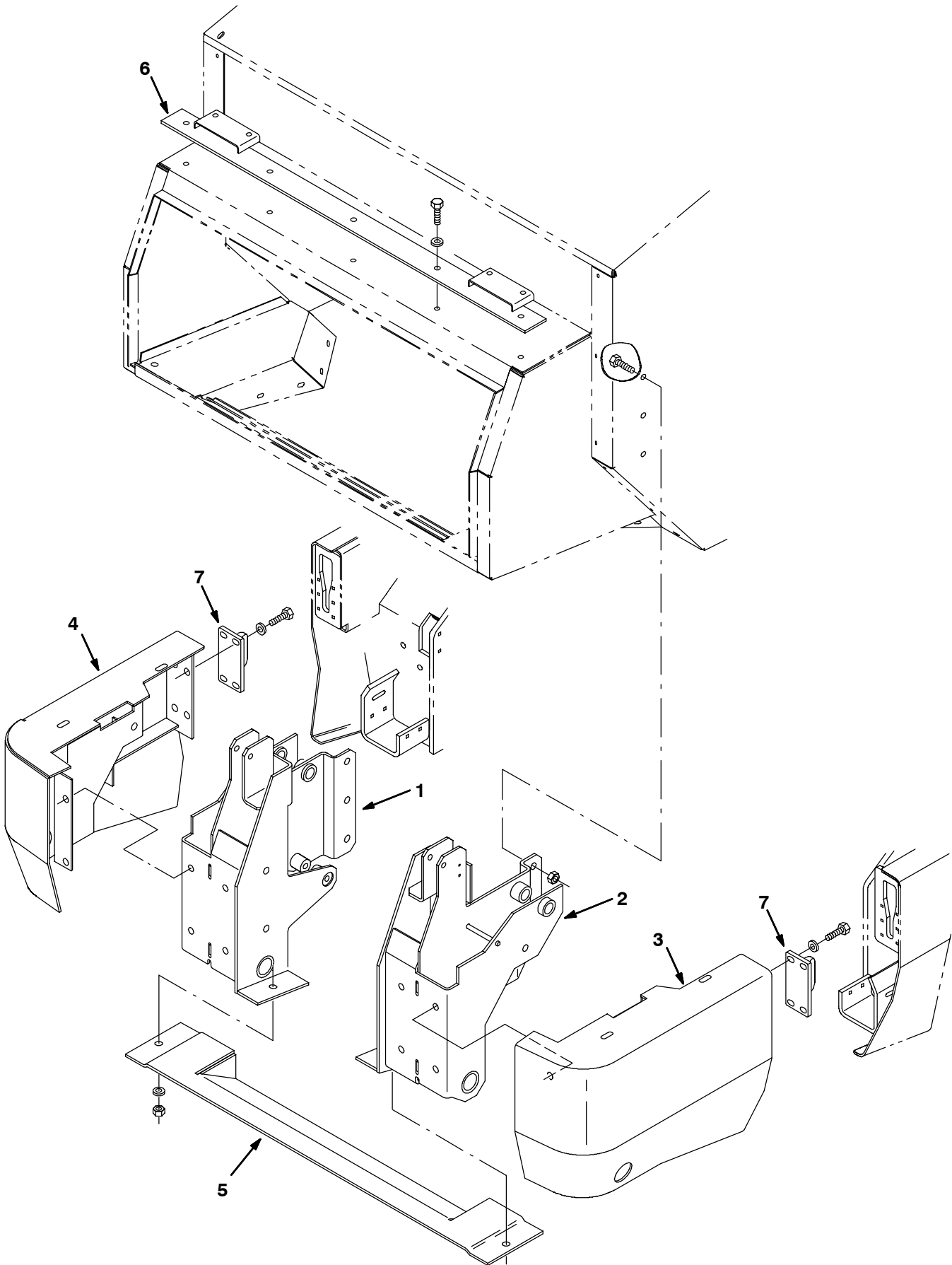


Fig. 16 - Hopper Bumper Group

Ref.	Part No.	Serial Number	Description	Qty.
1	83547	(003000-	) Bumper Wldt, Sppt, Hopper, Rh	1
2	83548	(003000-	) Support Wldt, Sppt, Hopper Lh	1
3	83620	(003000-	) Bumper Wldt, Lh	1
4	83622	(003000-	) Bumper Wldt, Rh	1
5	77523	(003000-	) Guard Wldt, Hopper	1
6	77516	(003000-	) Bracket Wldt, Mtg, Headlight	1
7	63671	(003000-	) Latch, Bumper	2

Fig. 17 - Hopper Filter Shaker Group

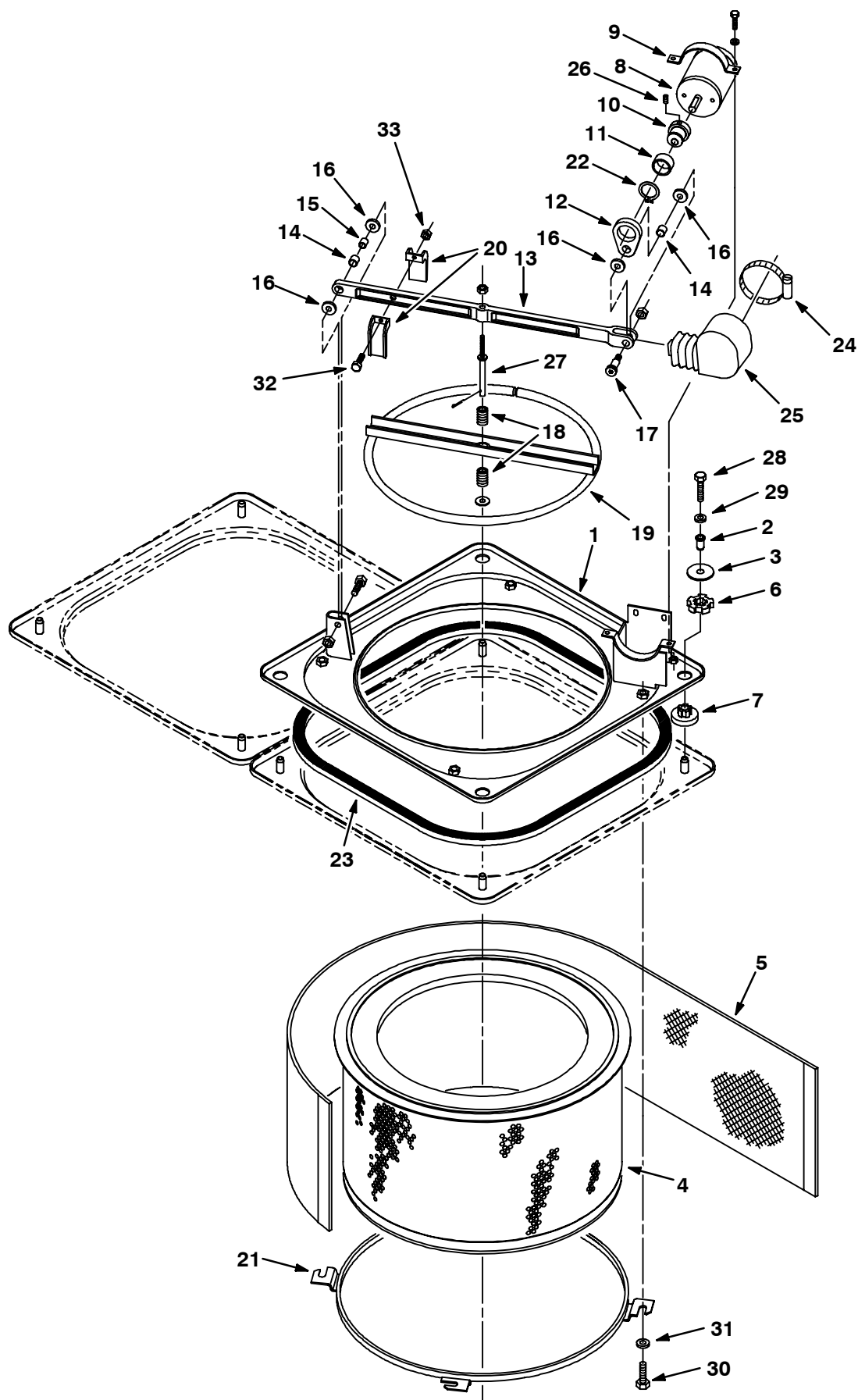




Fig. 17 - Hopper Filter Shaker Group

Ref.	Part No.	Serial Number	Description	Qty.	
1	64580	(003000-	) Panel Wldt, Shaker	2	
2	64874	(003000-	) Ferrule	8	
3	64873	(003000-	) Disc	8	
4	48069	(003000-	) Filter Assy, Fine, Hopper (option)	2	
▽	4	63297	(003000-	) Filter Assy, (standard)	2
▲	5	63311	(003000-	) Screen, Filter	1
6	64618	(003000-	) Ring, Isolator, Outer, Rbr	8	
7	64621	(003000-	) Bushing, Isolator	8	
8	31999	(003000-	) Motor, Electric, 13.6 Vdc	2	
9	64559	(003000-	) Clamp, Mtg, Motor, Upper	2	
10	64567	(003000-	) Shaft, Eccentric	2	
11	32006	(003000-	) Bearing	2	
12	64394	(003000-	) Link, Eccentric	2	
▽	13	77471	(003000-	) Shaker Bar Replacement Kit	2
▲	14	63233	(003000-	) Bearing, Fiberglide .50 X .50	2
▲	15	63234	(003000-	) Sleeve, Bearing	1
▲	16	59633	(003000-	) Bearing, Thrust - Fiberglide	4
▲	17	58357	(003000-	) Shoulder Screw	2
18	64392	(003000-	) Spring	4	
19	64501	(003000-	) Ring Wldt, Shaker	2	
20	64410	(003000-	) Guide	4	
21	64500	(003000-	) Ring Wldt, Mtg, Filter	2	
22	70651	(003000-	) Ring, Retaining, Ext 1.12	2	
23	21303	(003000-	) Seal Kit, Shaker Panel	2	
24	43555	(003000-	) Clamp-Wormdrive, 1.62- 3.50D	2	
25	73734	(003000-	) Seal, Dust	2	
26	70650	(003000-	) Set Screw	2	
27	32009	(003000-	) Bar, Shaker Stem	2	
28	39284	(003000-	) Screw, Hex, M10 X 1.5 X 35, 8.8	8	
29	32492	(003000-	) Washer, Flat, 0.38 Std	8	
30	09028	(003000-	) Screw, Hex, M10 X 1.5 X 25, Ss	8	
31	01686	(003000-	) Washer, Flat, 0.44b 1.00 .08, Ss	8	
32	09164	(003000-	) Screw, Pan, M6 X 1.0 X 20, 4.8	2	
33	08708	(003000-	) Nut, Hex, Lock, M6 X 1.0, NI	2	

Fig. 18 - Hopper Pressure Switch Group

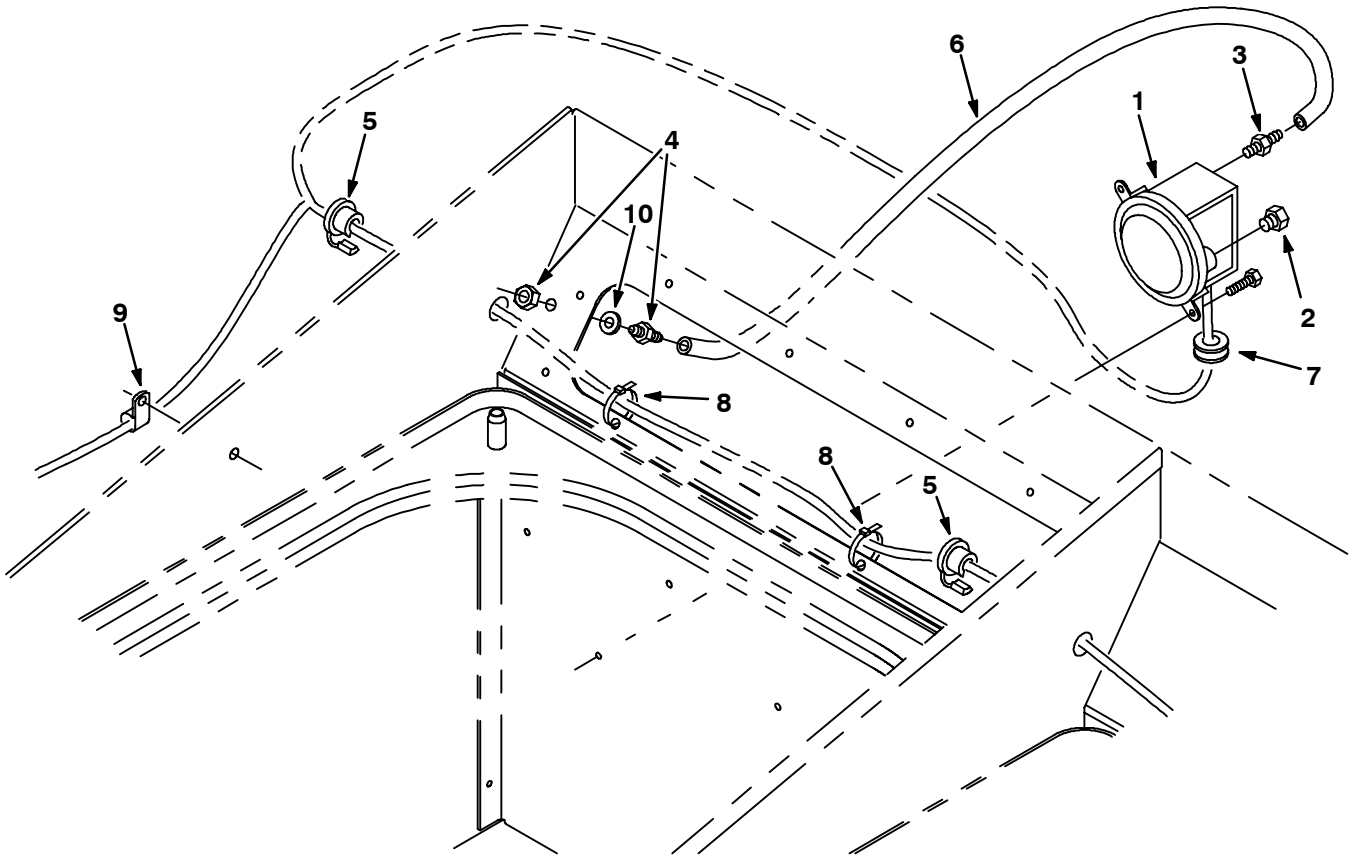


Fig. 18 - Hopper Pressure Switch Group

Ref.	Part No.	Serial Number	Description	Qty.
1	75465	(003000-	) Switch, Pressure	1
2	82739	(003000-	) Ftg, Breather	1
3	40607	(003000-	) Ftg-Brs Str Bm03/Pm02	1
4	39923	(003000-	) Ftg,Bulkhead-Barb Wh 1074X4	1
5	34864	(003000-	) Strain,Relief	2
6	73727	(003000-	) Hose, Vac, Rubber	1
7	10632-4	(003000-	) Grommet,Rbr,0.62ld,For .06Matl	1
8	49266	(003000-	) Tie, Cable 1.75D Max 7.50Lg	8
9	40678	(003000-	) Clamp, Cable, Stl, 0.44d X 0.62w, 1h	2
10	43454	(003000-	) Washer	1

Fig. 19 - Engine and Alternator Group (003000-003178)

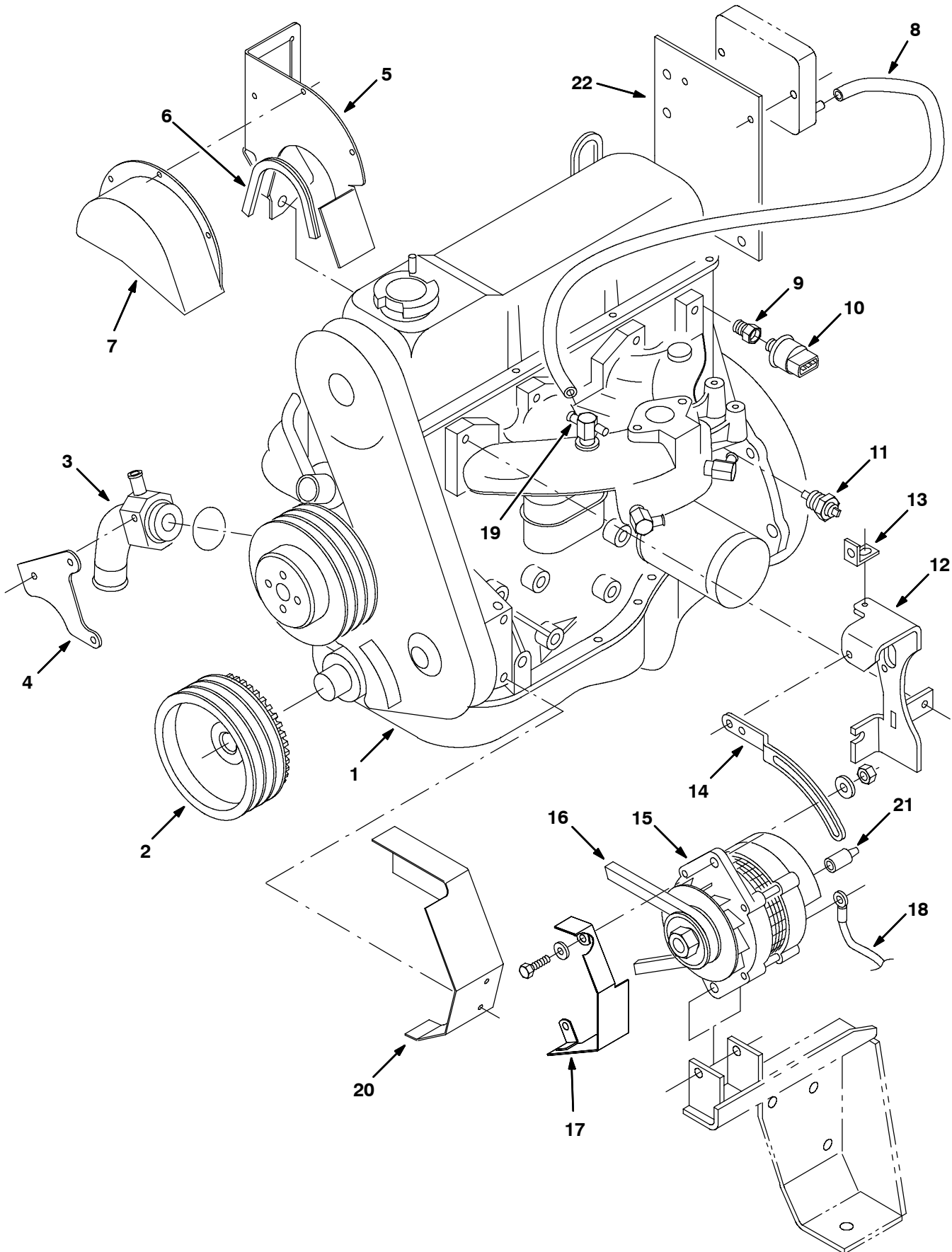


Fig. 19 - Engine and Alternator Group (003000-003178)

Ref.	Part No.	Serial Number	Description	Qty.	
1	83652	(003000-003042 )	Engine Purch Kit, Lrg 423 (See 2.3L Engine Bkdn)	1	
1	1044235	(003043-003178 )	Engine [Ford, 2.5l Reman] (See 2.5L Engine Brkdn)	1	
2	83664	(003000-003178 )	Sheave, Eng Crank,Fd W/Tg 2Gr	1	
3	83729	(003000-003178 )	Adaptor, Water Pump Machined	1	
4	83731	(003000-003178 )	Plate, Mounting, Water Pump	1	
5	385417	(003000-003178 )	Bracket, Mtg, Coil	1	
6	59375	(003000-003178 )	Extrusion,.062 Matl10.10Lg	1	
7	21294	(003000-003178 )	Cover	1	
8	19774	(003000-003178 )	Hose, Vacuum,.16ld X 15.0 Lg	1	
9	17414	(003000-003178 )	Ftg-Hyd Str Pm04/Pf02	1	
10	1055106	(003000-003178 )	Switch, Press, 0006psi Dpdt	1	
11	36165	(003000-003178 )	Send Unit, Temperature	1	
12	83750	(003000-003178 )	Bracket Wldt, Alternator Mtg	1	
13	31038	(003000-003178 )	Brkt-L,1.2 1.0 .12 .8L2/H&S	1	
14	31526	(003000-003178 )	Arm Alternator	1	
▽	15	60559	(003000-003178 )	Alternator, 50A/12V Mando	1
▲		61931	(003000-003178 )	Regulator	1
▲		86041	(003000-003178 )	Bearing,Ball.669B 1.575D .472W	1
▲		61529	(003000-003178 )	Brush Kit	1
▲		61531	(003000-003178 )	Rectifier	1
▲		70160	(003000-003178 )	Pulley, Alternator	1
	16	83692	(003000-003178 )	Belt, V, Hc 38-46.375	1
	17	83581	(003000-003178 )	Guard	1
	18	82731	(003000-003178 )	Wire-Ground, Alternator	1
	19	630094	(003000-003178 )	Cap	1
	20	83853	(003000-003178 )	Cover Weldt.	1
	21	61363	(003000-003178 )	Boot, Str .42ID .12H .25L	2
	22	83747	(003000-003178 )	Bracket, Ignition	1

**Fig. 20 - Engine Mount Group (003000-003178)**

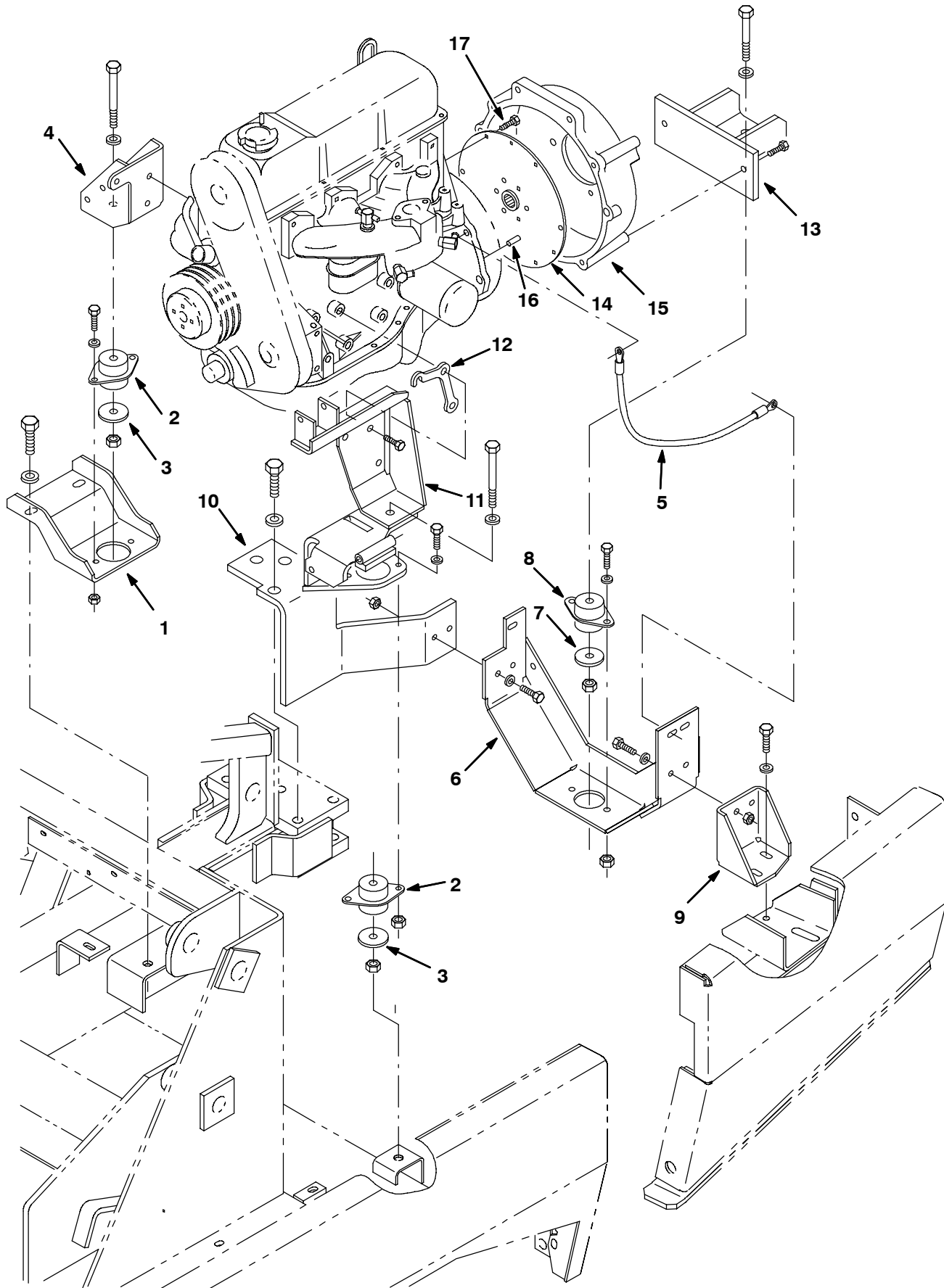


Fig. 20 - Engine Mount Group (003000-003178)

Ref.	Part No.	Serial Number	Description	Qty.
1	83674	(003000-003178 )	Bracket, Mtg, Eng, Rh	1
2	63695	(003000-003178 )	Isolator, Mounting	2
3	04414	(003000-003178 )	Washer, .531B 1.88D .12Hard Zn	2
4	385426	(003000-003178 )	Bracket, Eng Mtg Rh	1
5	57773	(003000-003178 )	Wire Ass'Y-Elect.,Ground	1
6	77430	(003000-003178 )	Bracket, Mounting, Eng, Rear	1
7	57048	(003000-003178 )	Washer, .532B 2.13D .11Hr.Znc	1
8	63263	(003000-003178 )	Isolator, Mtg	1
9	77434	(003000-003178 )	Bracket, Mounting, Eng,Rear Lh	1
10	77435	(003000-003178 )	Bracket, Mtg, Eng, Rear	1
11	380598	(003000-003178 )	Bracket Wldt, Eng/Alt Mount	1
12	83673	(003000-003178 )	Plate, Spacer, Mtg, Eng 2.3Fd	1
13	63535	(003000-003042 )	Channel Wldt, Mtg, Engine,Rear	1
13	385412	(003043-003178 )	Channel Wldt, Mtg, Engine,Rear	1
14	35980	(003000-003178 )	Coupling Flywheel	1
15	83689	(003000-003042 )	Housing, Flywheel, Machined 2.3 Lrg	1
15	385433	(003043-003178 )	Housing, Flywheel, 2.5 Lrg	1
16	14296	(003043-003178 )	Pin, Roll	3
17	375193	(003000-003178 )	Screw, Hex, M08 X 1.00 X 16, 10.9	6

**Fig. 21 - Engine Group (003179-003999)**

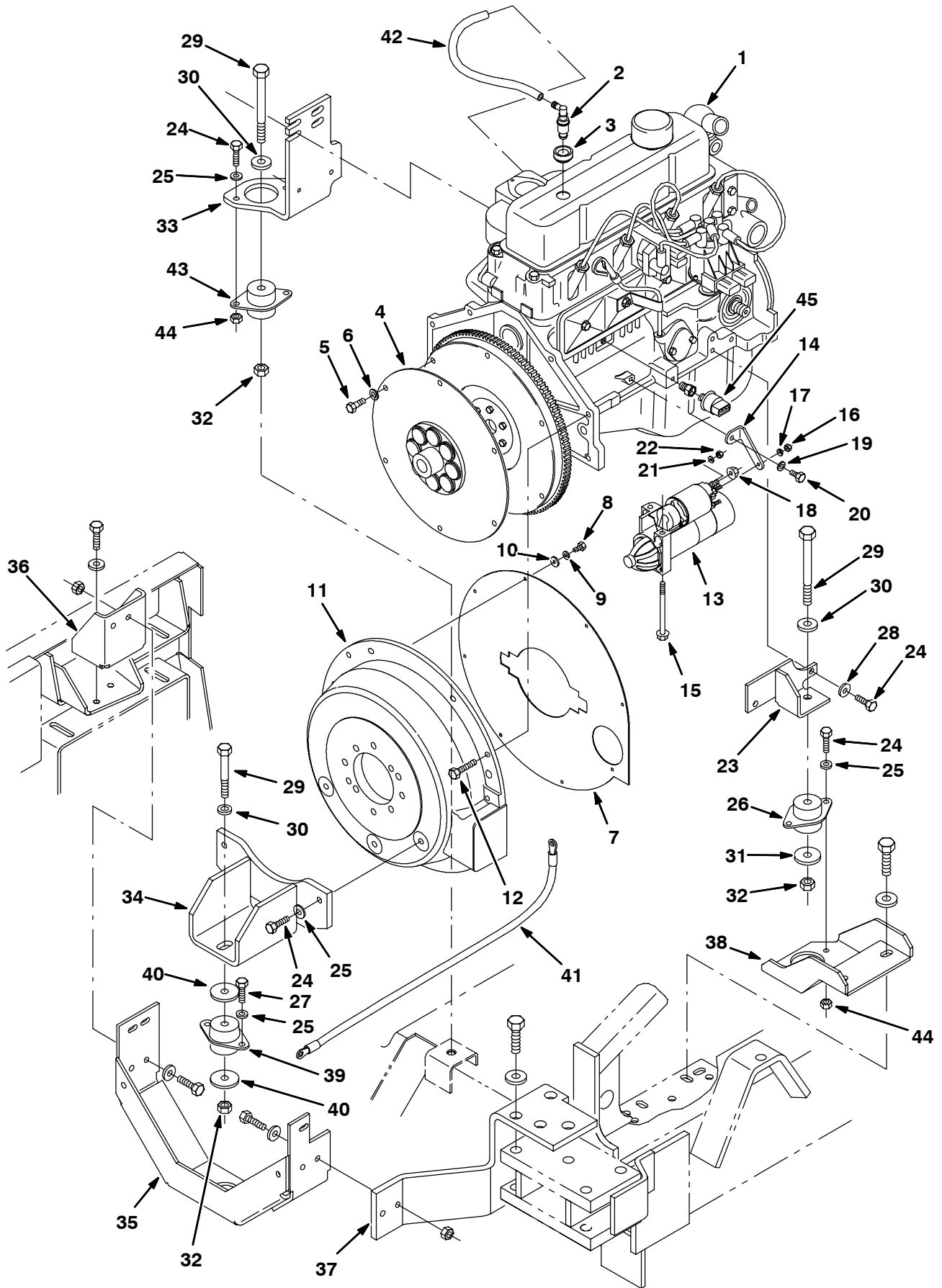




Fig. 21 - Engine Group (003179-003999)

Ref.	Part No.	Serial Number	Description	Qty.
1	392561	(003179-003999 )	Engine, Gm, 3.0 Liter, Gas (See GM Engine Breakdown)	1
1	392563	(003179-003999 )	Engine, Gm, 3.0 Liter, Lpg (See GM Engine Breakdown)	1
2	393975	(003179-003999 )	Valve, [Pcv]	1
3	393984	(003179-003999 )	Grommet	1
4	371507	(003179-003999 )	Plate, Drive	1
5	371508	(003179-003999 )	Bolt, Clutch	6
6	371509	(003179-003999 )	Washer, Lock, .38	11
7	371761	(003179-003999 )	Shield, Dust	1
8	19315	(003179-003999 )	Screw, Hex, .25-20 X 0.50, 5	8
9	371512	(003179-003999 )	Washer, Lock, .25	8
10	32483	(003179-003999 )	Washer, Flat, .25 Sae	8
11	371762	(003179-003999 )	Housing	1
12	55347	(003179-003999 )	Screw, Hex, .38-16 X 2.00, FI	1
13	371516	(003179-003999 )	Starter	1
14	371517	(003179-003999 )	Bracket, Starter	1
15	371518	(003179-003999 )	Bolt, Starter	1
16	50335	(003179-003999 )	Nut, Hex, Std, M05 X 0.8	2
17	371519	(003179-003999 )	Washer, Loc, M5	1
18	07791	(003179-003999 )	Nut, Hex, Flng, M08 X 1.25	1
19	393994	(003179-003999 )	Washer, Lock, .31	1
20	54396	(003179-003999 )	Screw, Hex, .31-18 X 0.75, 5	1
21	371520	(003179-003999 )	Washer, Lock, #10	1
22	19311	(003179-003999 )	Nut, Hex, Std, #10-24	1
23	392622	(003179-003999 )	Bracket, Mtg, Eng, Rh	1
24	21197	(003179-003999 )	Screw, Hex, .38-16 X 1.00, 5	8
25	32492	(003179-003999 )	Washer, Flat, .38 Std	8
26	63695	(003179-003999 )	Isolator, Vib, Flng, 1.3l .5b 2/.39h	1
27	21198	(003179-003999 )	Screw, Hex, M08 X 1.25 X 25, 8.8	4
28	32425	(003179-003999 )	Washer, Flat, .31 Std	2
29	06972	(003179-003999 )	Screw, Hex, M12 X 1.75 X 60, 8.8	4
30	32493	(003179-003999 )	Washer, Flat, .50 Std	4
31	04414	(003179-003999 )	Washer, 0.53b 1.88d .12, Stl, Pl	3
32	08711	(003179-003999 )	Nut, Hex, Lock, M12 X 1.75, NI	4
33	392642	(003179-003999 )	Bracket, Mtg, Eng, Lh	1
34	392619	(003179-003999 )	Channel Wldt, Mtg, Eng, Rear	1
35	77430	(003179-003999 )	Bracket, Mounting, Eng, Rear	1
36	77434	(003179-003999 )	Bracket, Mounting, Eng, Rear Lh	1
37	77435	(003179-003999 )	Bracket, Mtg, Eng, Rear	1
38	83674	(003179-003999 )	Bracket, Mtg, Eng, Rh	1
39	63263	(003179-003999 )	Isolator, Mtg	1
40	57048	(003179-003999 )	Washer, .532B 2.13D .11Hr.Znc	2
41	57773	(003179-003999 )	Wire Ass'Y-Elect., Ground	1
42	393973	(003179-003999 )	Hose, [Pcv]	1
43	75768	(003179-003999 )	Isolator, Vib, Flng, 2.0l .5b 2/.41h	1
44	50902	(003179-003999 )	Nut, Hex, Lock, .38-16, NI	4
45	371572	(003179-003999 )	Sending unit, Oil Press	1

**Fig. 22 - Engine Group (004000-004499)**

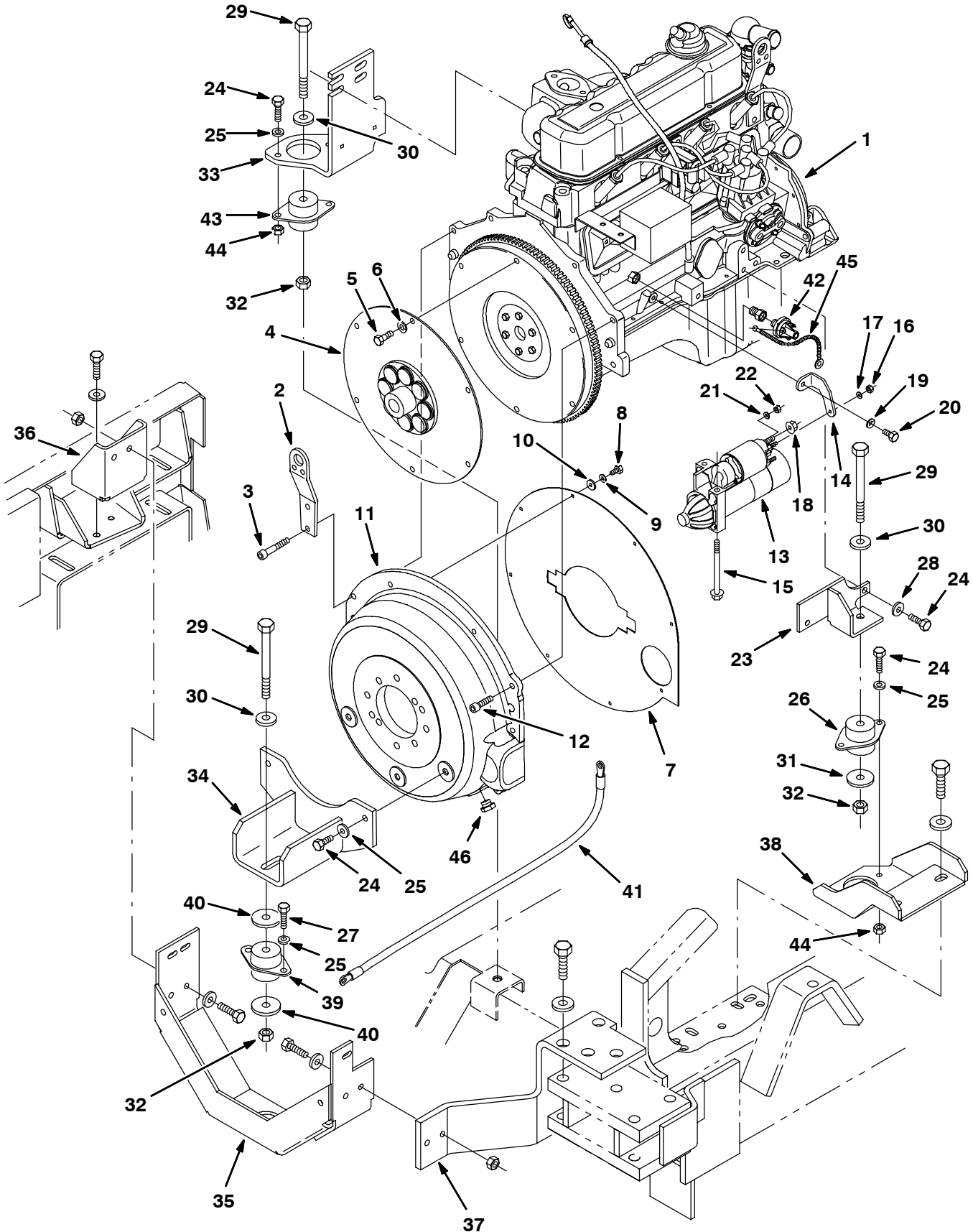


Fig. 22 - Engine Group (004000-004499)

Ref.	Part No.	Serial Number	Description	Qty.
1	1012719	(004000-004499 )	Engine Assy, Gas, Clsd Loop [Gm, 3.0] (See GM Engine Breakdown)	1
1	1012720	(004000-004499 )	Engine Assy, LPG, Clsd Loop [Gm, 3.0] (See GM Engine Breakdown)	1
2	372457	(004000-004499 )	Bolt, Eye, Lift	1
3	372479	(004000-004499 )	Screw, Soc, .38-16 X 2.25, G5	1
4	372456	(004000-004499 )	Plate, Drive	1
5	371508	(004000-004499 )	Bolt, Clutch	6
6	371509	(004000-004499 )	Washer, Lock, .38	11
7	371761	(004000-004499 )	Shield, Dust	1
8	19315	(004000-004499 )	Screw, Hex, .25-20 X 0.50, 5	8
9	371512	(004000-004499 )	Washer, Lock, .25	8
10	32483	(004000-004499 )	Washer, Flat, .25 Sae	8
11	372458	(004000-004499 )	Housing	1
12	10831	(004000-004499 )	Screw, Soc, .38-16 X 1.25, Al	5
13	371516	(004000-004499 )	Starter	1
14	372473	(004000-004499 )	Bracket, Starter	1
15	371518	(004000-004499 )	Bolt, Starter	1
16	50335	(004000-004499 )	Nut, Hex, Std, M05 X 0.8	2
17	371519	(004000-004499 )	Washer, Loc, M5	1
18	07791	(004000-004499 )	Nut, Hex, Flng, M08 X 1.25	1
19	393994	(004000-004499 )	Washer, Lock, .31	1
20	54396	(004000-004499 )	Screw, Hex, .31-18 X 0.75, 5	1
21	371520	(004000-004499 )	Washer, Lock, #10	1
22	19311	(004000-004499 )	Nut, Hex, Std, #10-24	1
23	392622	(004000-004499 )	Bracket, Mtg, Eng, Rh	1
24	21197	(004000-004499 )	Screw, Hex, .38-16 X 1.00, 5	8
25	32492	(004000-004499 )	Washer, Flat, .38 Std	8
26	63695	(004000-004499 )	Isolator, Vib, Flng, 1.3l .5b 2/.39h	1
27	21198	(004000-004499 )	Screw, Hex, M08 X 1.25 X 25, 8.8	4
28	32425	(004000-004499 )	Washer, Flat, .31 Std	2
29	06972	(004000-004499 )	Screw, Hex, M12 X 1.75 X 60, 8.8	4
30	32493	(004000-004499 )	Washer, Flat, .50 Std	4
31	04414	(004000-004499 )	Washer, 0.53b 1.88d .12, Stl, Pl	3
32	08711	(004000-004499 )	Nut, Hex, Lock, M12 X 1.75, NI	4
33	392642	(004000-004499 )	Bracket, Mtg, Eng, Lh	1
34	1014411	(004000-004499 )	Channel Wldt, Mtg, Eng, Rear	1
35	77430	(004000-004499 )	Bracket, Mounting, Eng, Rear	1
36	77434	(004000-004499 )	Bracket, Mounting, Eng, Rear Lh	1
37	77435	(004000-004499 )	Bracket, Mtg, Eng, Rear	1
38	83674	(004000-004499 )	Bracket, Mtg, Eng, Rh	1
39	63263	(004000-004499 )	Isolator, Mtg	1
40	57048	(004000-004499 )	Washer, .532B 2.13D .11Hr.Znc	2
41	57773	(004000-004499 )	Wire Ass'Y-Elect.,Ground	1
42	372445	(004000-004499 )	Sending unit, Oil Press	1
43	75768	(004000-004499 )	Isolator, Vib, Flng, 2.0l .5b 2/.41h	1
44	50902	(004000-004499 )	Nut, Hex, Lock, .38-16, NI	4
45	372474	(004000-004499 )	Harness, Switch, Oil Press, Ground Wire	1
46	1018573	(004000-004499 )	Screw, Hex, .62-18 X 0.31	1

**Fig. 23 - Engine Group (004500- )**

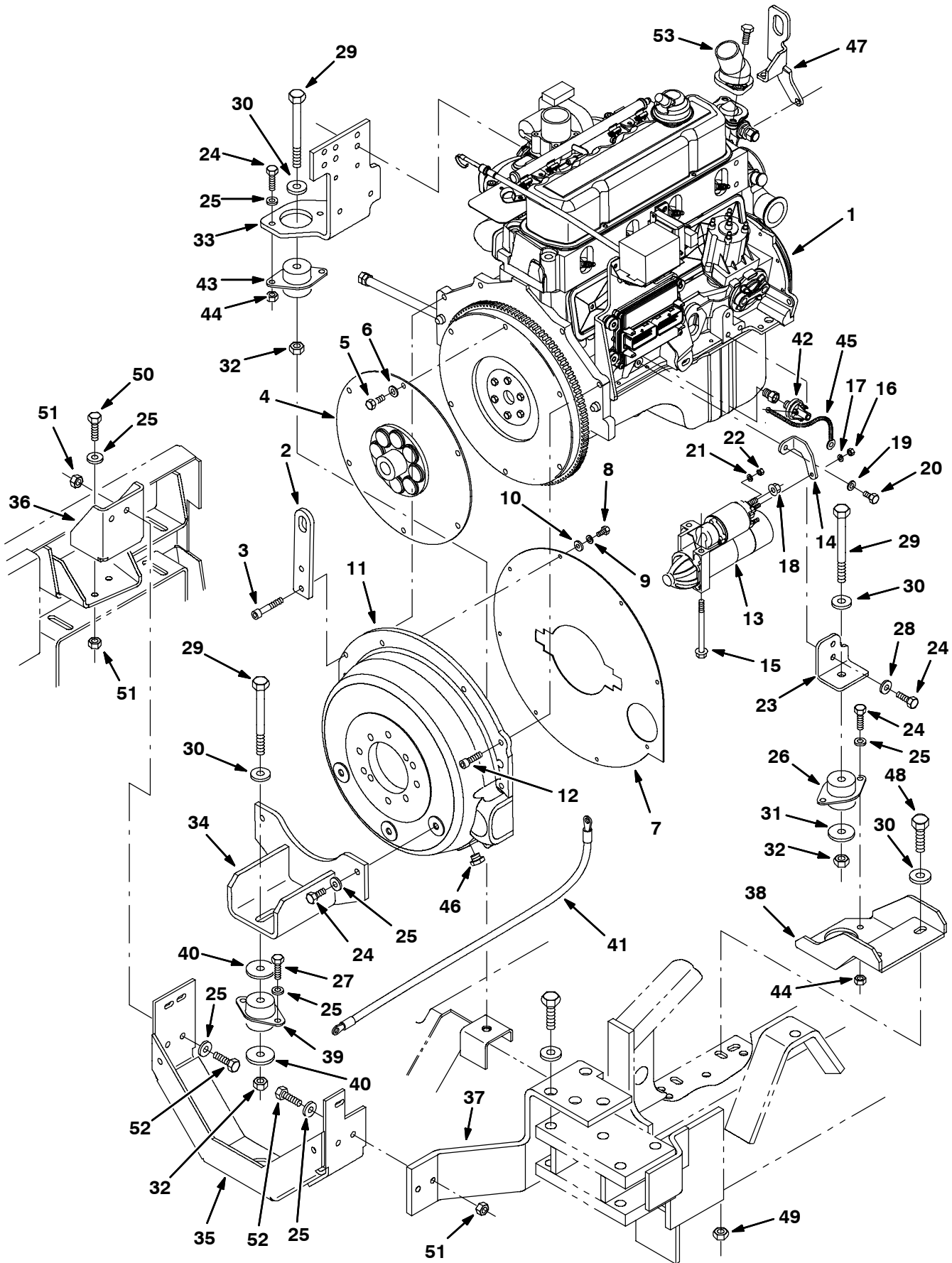


Fig. 23 - Engine Group (004500- )

Ref.	Part No.	Serial Number	Description	Qty.
1	385019	(004500-	) Engine, Block, Long [Gm3.0l] (See GM Engine Break-down)	1
2	1034105	(004500-	) Hook, Lift [Gm3.0l 2007]	1
3	372479	(004500-	) Screw, Soc, .38-16 X 2.25, G5	1
4	372456	(004500-	) Plate, Drive	1
5	371508	(004500-	) Bolt, Clutch	6
6	371509	(004500-	) Washer, Lock, .38	11
7	371761	(004500-	) Shield, Dust	1
8	19315	(004500-	) Screw, Hex, .25-20 X 0.50, 5	8
9	371512	(004500-	) Washer, Lock, .25	8
10	32483	(004500-	) Washer, Flat, .25 Sae	8
11	372458	(004500-	) Housing	1
12	10831	(004500-	) Screw, Soc, .38-16 X 1.25, Al	5
13	371516	(004500-	) Starter	1
14	372473	(004500-	) Bracket, Starter	1
15	371518	(004500-	) Bolt, Starter	1
16	50335	(004500-	) Nut, Hex, Std, M05 X 0.8	2
17	371519	(004500-	) Washer, Loc, M5	1
18	07791	(004500-	) Nut, Hex, Flng, M08 X 1.25	1
19	393994	(004500-	) Washer, Lock, .31	1
20	54396	(004500-	) Screw, Hex, .31-18 X 0.75, 5	1
21	371520	(004500-	) Washer, Lock, #10	1
22	19311	(004500-	) Nut, Hex, Std, #10-24	1
23	1029375	(004500-	) Bracket, Mtg, Eng, Rh	1
24	21197	(004500-	) Screw, Hex, .38-16 X 1.00, 5	8
25	32492	(004500-	) Washer, Flat, .38 Std	11
26	63695	(004500-	) Isolator, Vib, Flng, 1.3l .5b 2/.39h	1
27	21198	(004500-	) Screw, Hex, M08 X 1.25 X 25, 8.8	4
28	32425	(004500-	) Washer, Flat, .31 Std	2
29	06972	(004500-	) Screw, Hex, M12 X 1.75 X 60, 8.8	4
30	32493	(004500-	) Washer, Flat, .50 Std	6
31	04414	(004500-	) Washer, 0.53b 1.88d .12, Stl, Pl	3
32	08711	(004500-	) Nut, Hex, Lock, M12 X 1.75, NI	4
33	1031961	(004500-	) Bracket, Mtg, Eng, Lh	1
34	1014411	(004500-	) Channel Wldt, Mtg, Eng, Rear	1
35	77430	(004500-	) Bracket, Mounting, Eng, Rear	1
36	77434	(004500-	) Bracket, Mounting, Eng, Rear Lh	1
37	77435	(004500-	) Bracket, Mtg, Eng, Rear	1
38	83674	(004500-	) Bracket, Mtg, Eng, Rh	1
39	63263	(004500-	) Isolator, Mtg	1
40	57048	(004500-	) Washer, .532B 2.13D .11Hr.Znc	2
41	57773	(004500-	) Wire Ass'Y-Elect., Ground	1
42	372445	(004500-	) Sending unit, Oil Press	1
43	75768	(004500-	) Isolator, Vib, Flng, 2.0l .5b 2/.41h	1
44	50902	(004500-	) Nut, Hex, Lock, .38-16, NI	4

**Fig. 23 - Engine Group (004500- )**

<b>Ref.</b>	<b>Part No.</b>	<b>Serial Number</b>	<b>Description</b>	<b>Qty.</b>
45	372474	(004500-	) Harness, Switch, Oil Press, Ground Wire	1
46	1018573	(004500-	) Screw, Hex, .62-18 X 0.31	1
47	1029334	(004500-	) Hook, Lift [Gm3.0l 2007]	1
48	06968	(004500-	) Screw, Hex, M12 X 1.75 X 35, 8.8	2
49	08711	(004500-	) Nut, Hex, Lock, M12 X 1.75,NI	2
50	03192	(004500-	) Screw, Hex, M10 X 1.5 X 30, 8.8	2
51	41430	(004500-	) Nut, Hex, Lock, M10 X 1.5, NI	6
52	39284	(004500-	) Screw, Hex, M10 X 1.5 X 35, 8.8	4
53	1030272	(004500-	) Thermostat Housing [Gm3.0l 2007]	1



**Fig. 24 - Engine Alternator Group (003179-003999)**

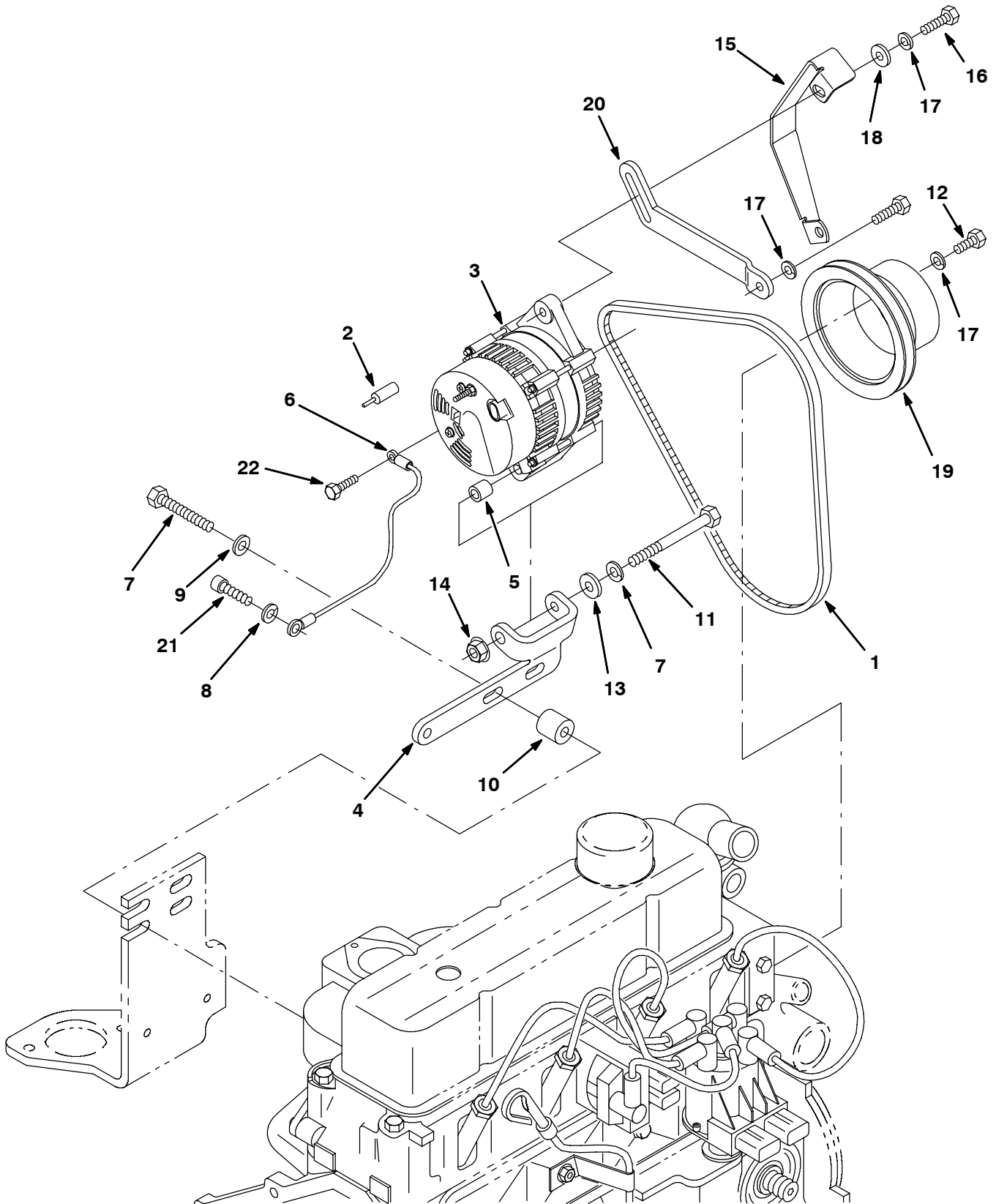




Fig. 24 - Engine Alternator Group (003179-003999)

Ref.	Part No.	Serial Number	Description	Qty.
1	64899	(003179-003999 )	Belt, V, [3v] 40.0l, 1only [Hc38]	1
2	61363	(003179-003999 )	Boot, Str 0.42id .12h 0.25l	1
3	392611	(003179-003999 )	Alternator, 12vdc, 075a [Valeo]	1
4	1008094	(003179-003999 )	Bracket, Alternator	1
5	371526	(003179-003999 )	Sleeve, Alternator	1
6	371527	(003179-003999 )	Wire, Ground	1
7	371509	(003179-003999 )	Washer, Lock, .38	2
8	27991	(003179-003999 )	Screw, Hex, .38-16 X 2.25, 5	2
9	32492	(003179-003999 )	Washer, Flat, .38 Std	2
10	35756	(003179-003999 )	Tube, 01.00d 00.50b 01.0l Stl Pnt	2
11	371529	(003179-003999 )	Screw, .38-24 X 4.0	1
12	07592	(003179-003999 )	Screw, Hex, .31-24 X 0.75, 5	4
13	32485	(003179-003999 )	Washer, Flat, .38 Sae	1
14	371528	(003179-003999 )	Nut, Flanged, .38-24	1
15	83581	(003179-003999 )	Guard, Belt, Alternator	1
16	76956	(003179-003999 )	Screw, Hex, .31-18 X 1.25, 5	1
17	393994	(003179-003999 )	Washer, Lock, .31	6
18	32491	(003179-003999 )	Washer, Flat, .31 Std	1
19	393998	(003179-003999 )	Pulley, Fan	1
20	1007162	(003179-003999 )	Arm, Alternator	1
21	371770	(003179-003999 )	Screw	1
22	42011	(003179-003999 )	Screw	1

**Fig. 25 - Engine Alternator Group (004000-004499)**

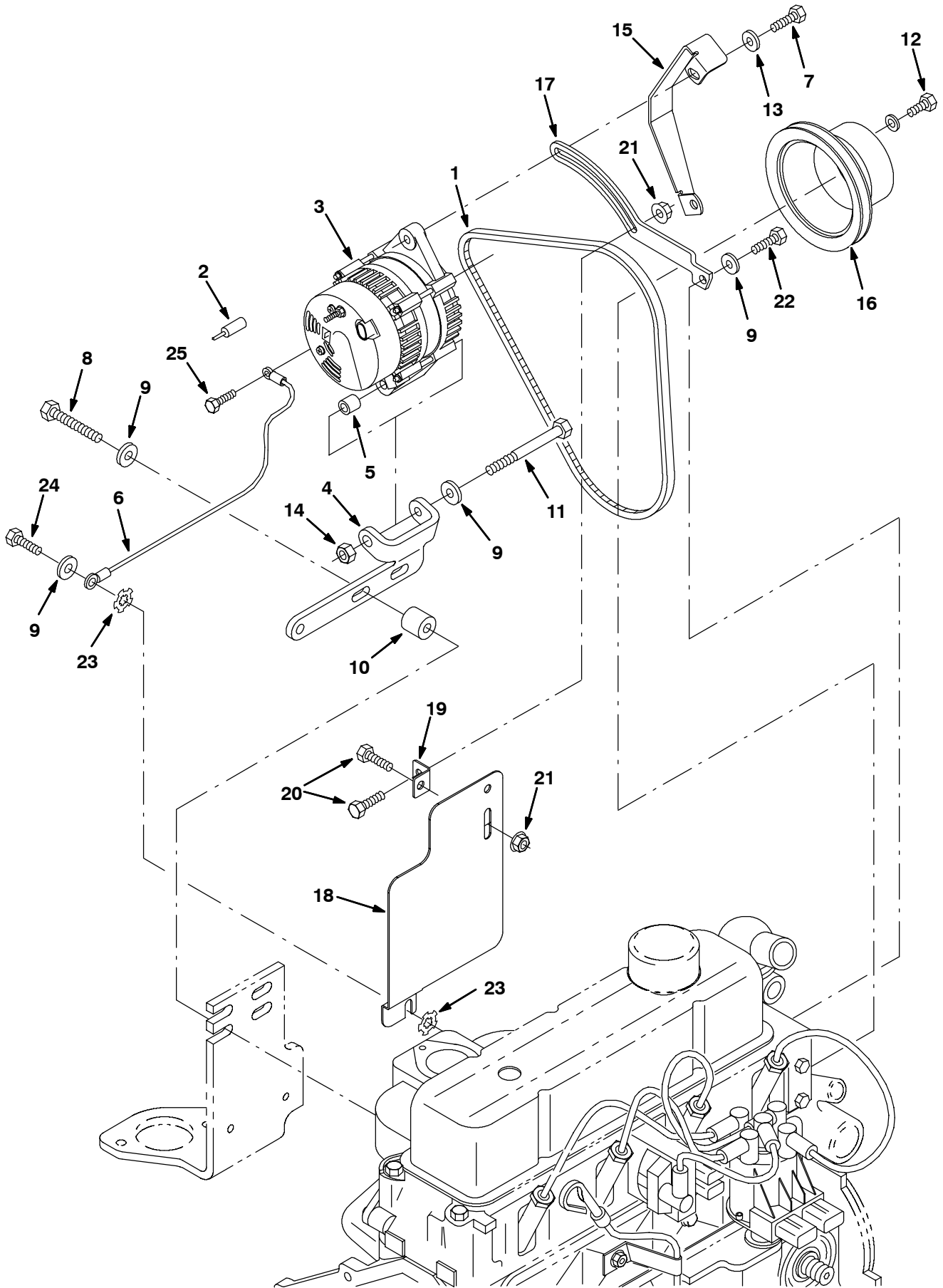


Fig. 25 - Engine Alternator Group (004000-004499)

Ref.	Part No.	Serial Number	Description	Qty.
1	393227	(004000-004499 )	Belt, V, [3v] 39.6l [Hc41]	1
2	61363	(004000-004499 )	Boot, Str 0.42id .12h 0.25l	1
3	392611	(004000-004499 )	Alternator, 12vdc, 075a [Valeo]	1
4	1008094	(004000-004499 )	Bracket, Alternator	1
5	371526	(004000-004499 )	Sleeve, Alternator	1
6	371527	(004000-004499 )	Wire, Ground	1
7	76955	(004000-004499 )	Screw, Hex, .31-18 X 1.00, 5	1
8	27991	(004000-004499 )	Screw, Hex, .38-16 X 2.25, 5	2
9	32485	(004000-004499 )	Washer, Flat, 0.38 Sae	5
10	35756	(004000-004499 )	Tube, 01.00d 00.50b 01.0l Stl Pnt	2
11	20177	(004000-004499 )	Screw, Hex, .38-16 X 4.00, 5	1
12	07592	(004000-004499 )	Screw, Hex, .31-24 X 0.75, 5	4
13	41186	(004000-004499 )	Washer, Belleville, .31	1
14	50902	(004000-004499 )	Nut, Hex, Lock, .38-16, NI	1
15	83581	(004000-004499 )	Guard, Belt, Alternator	1
16	393998	(004000-004499 )	Pulley, Fan	1
17	1007162	(004000-004499 )	Arm, Adj, Alternator	1
18	1019513	(004000-004499 )	Plate, Shield, Heat	1
19	1008513	(004000-004499 )	Angle, Heat, Shield	1
20	16735	(004000-004499 )	Screw, Hex, M8 X 1.25 X 16, 8.8	2
21	07791	(004000-004499 )	Nut, Hex, Flng, M8 X 1.25	2
22	21195	(004000-004499 )	Screw, Hex, .38-16 X 0.75, 5	1
23	41142	(004000-004499 )	Washer, Lock, Int-ext, .38	2
24	21197	(004000-004499 )	Screw, Hex, .38-16 X 1.00, 5	1
25	42011	(004000-004499 )	Screw, Hex, #10-24 X 0.50, Ss	1

**Fig. 26 - Engine Alternator Group (004500- )**

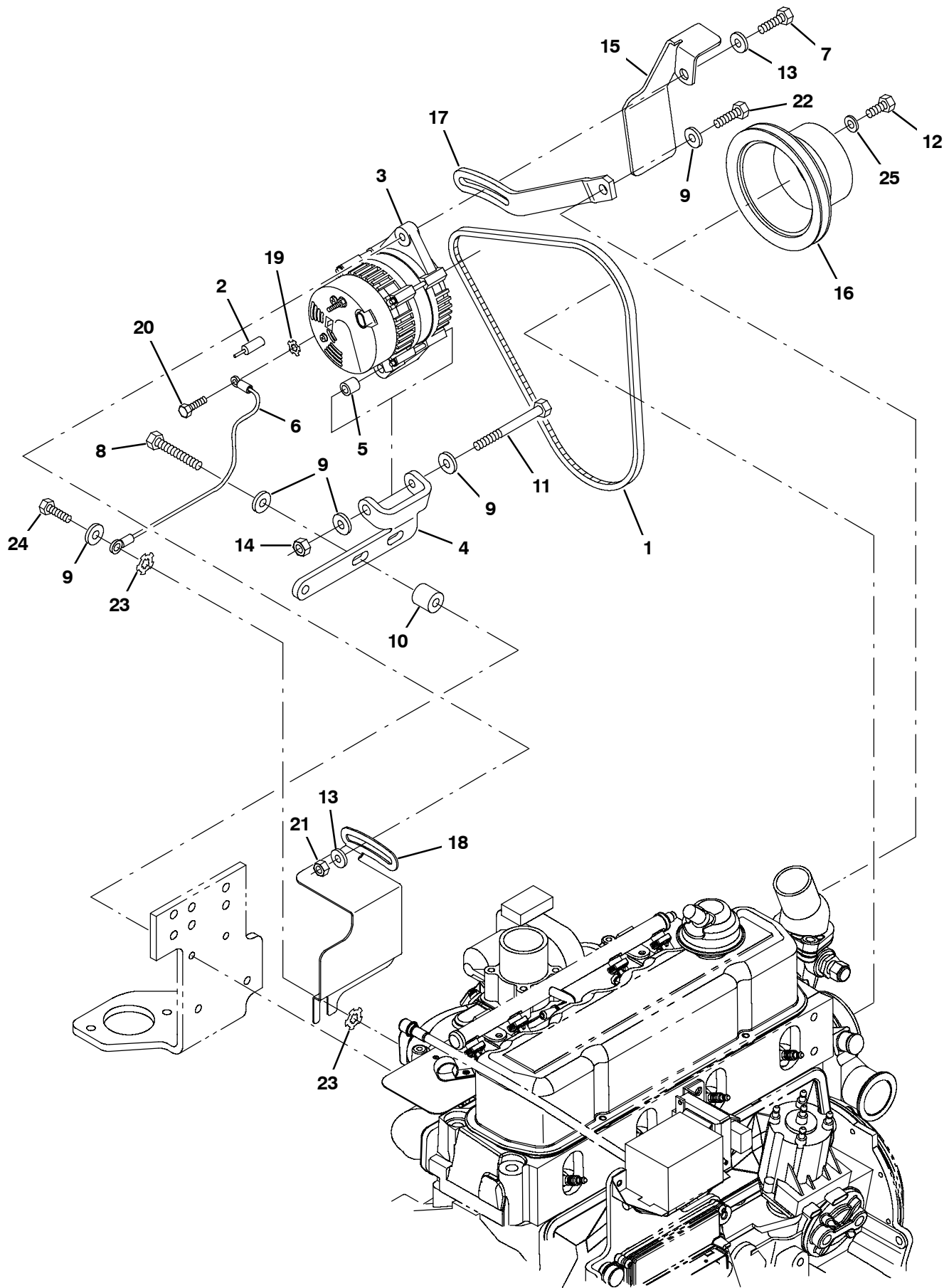


Fig. 26 - Engine Alternator Group (004500- )

Ref.	Part No.	Serial Number	Description	Qty.
1	393227	(004500-	) Belt, V, [3v] 39.6l [Hc41]	1
2	61363	(004500-	) Boot, Str 0.42id .12h 0.25l	1
3	392611	(004500-	) Alternator, 12vdc, 075a [Valeo]	1
4	1008094	(004500-	) Bracket, Alternator	1
5	371526	(004500-	) Sleeve, Alternator	1
6	371527	(004500-	) Wire, Ground	1
7	76955	(004500-	) Screw, Hex, .31-18 X 1.00, 5	1
8	27991	(004500-	) Screw, Hex, .38-16 X 2.25, 5	2
9	32485	(004500-	) Washer, Flat, 0.38 Sae	6
10	35756	(004500-	) Tube, 01.00d 00.50b 01.0l Stl Pnt	2
11	20177	(004500-	) Screw, Hex, .38-16 X 4.00, 5	1
12	07592	(004500-	) Screw, Hex, .31-24 X 0.75, 5	4
13	41186	(004500-	) Washer, Belleville, .31	2
14	50902	(004500-	) Nut, Hex, Lock, .38-16, NI	1
15	1008538	(004500-	) Bracket, Guard, Alternator, Hd [Gm3.0l]	1
16	393998	(004500-	) Pulley, Fan	1
17	1029649	(004500-	) Arm, Adjmt, Alternator	1
18	1030635	(004500-	) Shield, Heat, Alternator [2007]	1
19	32980	(004500-	) Washer, Lock, Int, #10	1
20	42011	(004500-	) Screw, Hex, #10-24 X 0.50, Ss	1
21	07791	(004500-	) Nut, Hex, Flng, M8 X 1.25	1
22	21195	(004500-	) Screw, Hex, .38-16 X 0.75, 5	1
23	41142	(004500-	) Washer, Lock, Int-ext, .38	2
24	21197	(004500-	) Screw, Hex, .38-16 X 1.00, 5	1
25	371865	(004500-	) Washer, Flat, 0.31, Hardened	4

Fig. 27 - Engine Oil Filter and Drain Group (003179- )

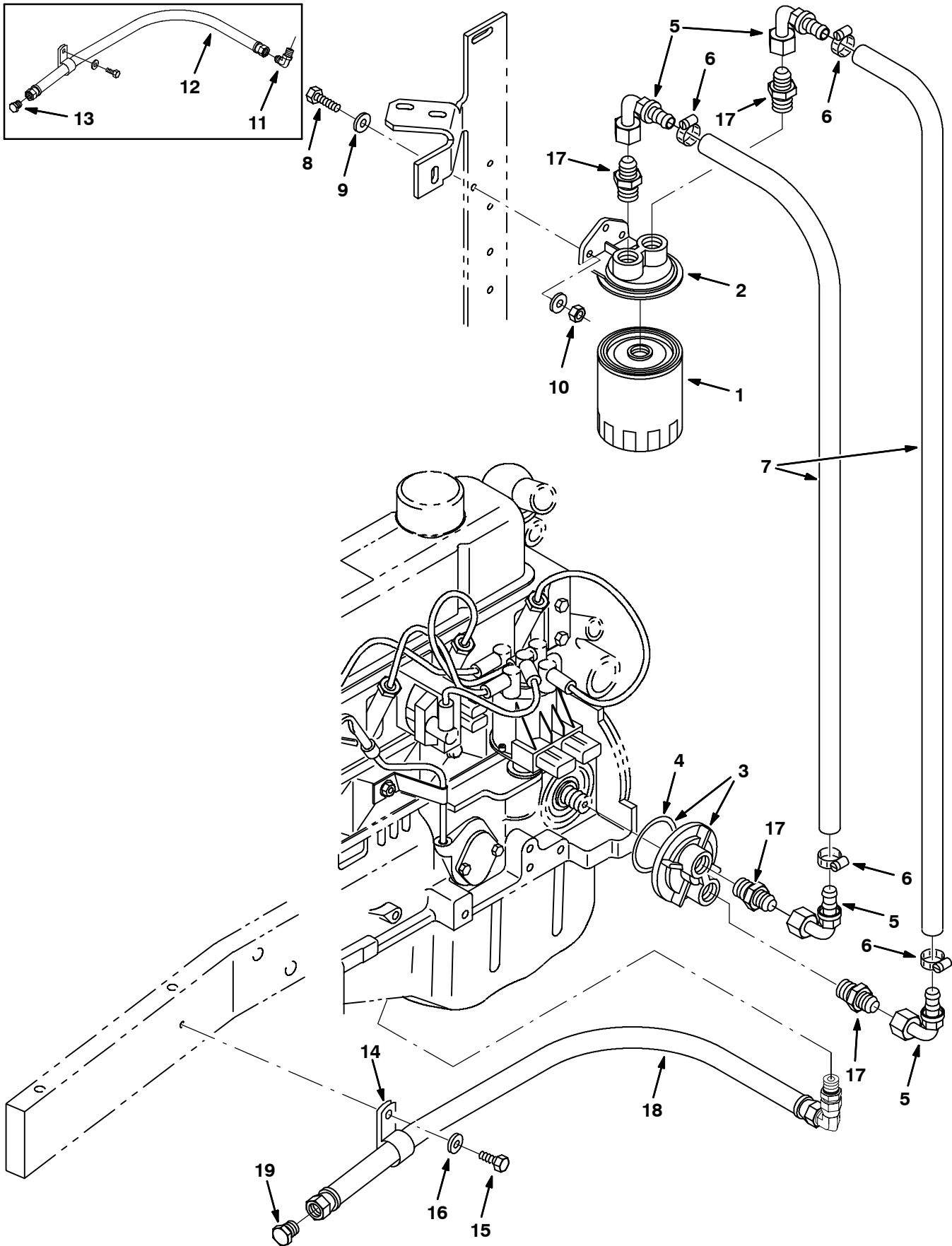


Fig. 27 - Engine Oil Filter and Drain Group (003179- )

Ref.	Part No.	Serial Number	Description	Qty.
	1	393982	(003179- ) Filter, Oil	1
	2	371503	(003179- ) Mount, Filter, Remote	1
▽	3	371504	(003179- ) Adaptor, Filter, Remote	1
▲	4	1032382	(003179- ) Seal, Org, .139 X 03.109 Id	1
	5	371500	(003179- ) Fitting, 90 Deg	4
	6	11399	(003179- ) Clamp, Hose, Wormdrive, 0.81-1.50d	4
	7	371502	(003179- ) Hose, .50	2
	8	25046	(004937- ) Screw, Hex, .25-20 X 1.00, 5	2
	9	19066	(004937- ) Washer, Flat, #10	2
	10	32981	(004937- ) Nut, Hex, Lock, .25-20, NI	2
	11	49934	(003179-004499 ) Fitting, Hyd, E90, Pm06/Jm06	1
	12	76762	(003179-004499 ) Hose, Hyd,Low06, Jf06str /Jf06str , 26.0	1
	13	19747	(003179-004499 ) Fitting, Hyd, Plug, Jm06	1
	14	58366	(003179- ) Clamp, Cable, Stl, 1.25d X 1.00w, 1h	1
	15	12273	(003179- ) Screw, Hex, M8 X 1.25 X 20, Ss, NI	1
	16	01685	(003179- ) Washer, Flat, 0.38 Ss	1
	17	371505	(003179- ) Fitting	4
	18	9006633	(004500- ) Hose, Drain, Eng Oil	1
	19	9006635	(004500- ) Fitting, Plug	1

**Fig. 28 - Engine Carburetor and Governor Group, Gasoline (003000-003178)**

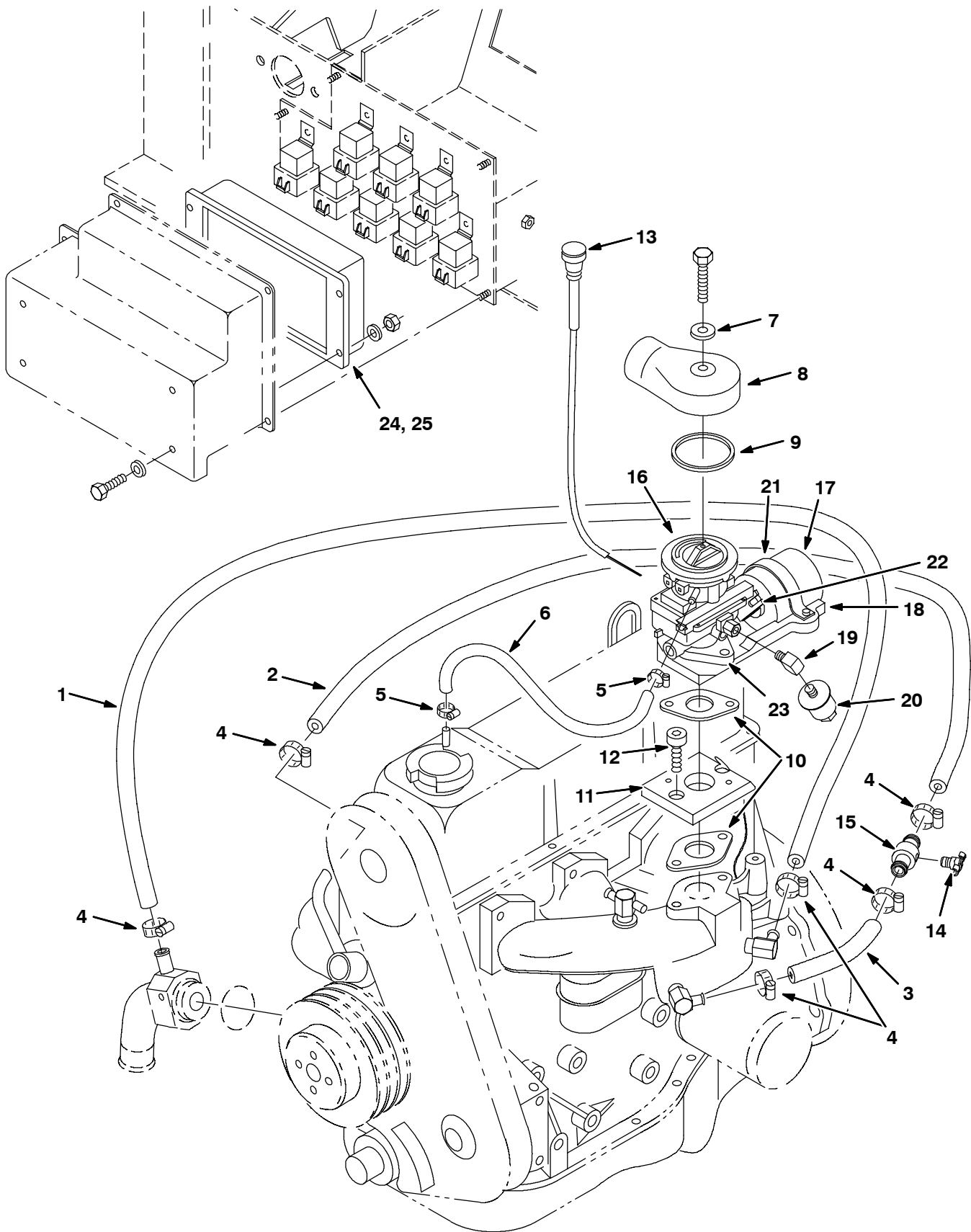




Fig. 28 - Engine Carburetor and Governor Group, Gasoline (003000-003178)

Ref.	Part No.	Serial Number	Description	Qty.
1	30389	(003000-003178 )	Hose, Heater .62ldx53.0Lg	1
2	13048	(003000-003178 )	Hose, .62 Id X 38. Lng Heater	1
3	60762	(003000-003178 )	Hose, Heater .62 Id X 15.0Lg	1
4	63810	(003000-003178 )	Clamp-Wormdrive, 0.56- 1.06D	6
5	43844	(003000-003178 )	Clamp-Wormdrive, 0.25- 0.62D	2
6	70876	(003000-003069 )	Hose, Rubber.38ldx.62Od 21.0Lg	1
6	375718	(003070-003178 )	Hose, Rubber	1
7	24924	(003000-003178 )	Washer, .281B .62D .06Nylon	1
8	57934	(003000-003178 )	Adaptor, Elbow, Carb, Gas	1
9	16738	(003000-003178 )	Gasket, Carburetor Air Horn	1
10	74443	(003000-003178 )	Gasket, Carb To Engine	2
11	83686	(003000-003178 )	Adapter, Carburetor, Ford 2.3	1
12	33951	(003000-003178 )	Scr Soc M6x1.0 20	2
13	47313A	(003000-003178 )	Cable Assy, Choke 67.00Lg	1
14	83580	(003000-003178 )	Fitting, Brass Drain Cock	1
15	83578	(003000-003178 )	Tube, Air Bleed	1
▽	83678	(003000-003069 )	Governor and Control Unit Assy, Gas	1
▲▽	83639	(003000-003069 )	Governor Assy, Gas	1
▲▲	16 78897	(003000-003069 )	Carburetor, Gas	1
▲▲	17 83683	(003000-003069 )	Actuator-Lh, Governor	1
▲▲	18 83682	(003000-003069 )	Bracket-Mtg, Governor	1
▲▲	19 11984	(003000-003069 )	Ftg, El90 Npt/02Pf-02Pm	1
▲▲	20 36050	(003000-003069 )	Filter, Fuel	1
▲▲	21 83685	(003000-003069 )	Strap, Mounting	1
▲▲	22 83684	(003000-003069 )	Linkage Kit, Governor	1
▲▲	23 74443	(003000-003069 )	Gasket, Carb To Engine	1
▲▽	24 83758	(003000-003069 )	Control Unit, Gov.	1
▲▲	374625	(003000-003069 )	Plug, Control Box	2
▽	385415	(003070-003178 )	Governor and Control Unit Assy, Gas	1
▲▽	83639	(003070-003178 )	Governor Assy, Gas	1
▲▲	16 385414	(003070-003178 )	Carburetor, Gas	1
▲▲	17 83683	(003070-003178 )	Actuator-Lh, Governor	1
▲▲	18 83682	(003070-003178 )	Bracket-Mtg, Governor	1
▲▲	19 11984	(003070-003178 )	Ftg, El90 Npt/02Pf-02Pm	1
▲▲	20 36050	(003070-003178 )	Filter, Fuel	1
▲▲	21 83685	(003070-003178 )	Strap, Mounting	1
▲▲	22 83684	(003070-003178 )	Linkage Kit, Governor	1
▲▲	23 74443	(003070-003178 )	Gasket, Carb To Engine	1
▲▲	24 374127	( xxxxxx-003178 )	Kit, Replmt, Control, Govnr, [All Purps]	1
▽	25 1040835	(003070- xxxxxx )	Control, Govnr [All Purpose]	1
▲	374625	(003070- xxxxxx )	Plug, Control Box	2

**STANDARD PARTS**

**Fig. 29 - Engine Electronic Fuel Ignition Group, Gas (003179-003999)**

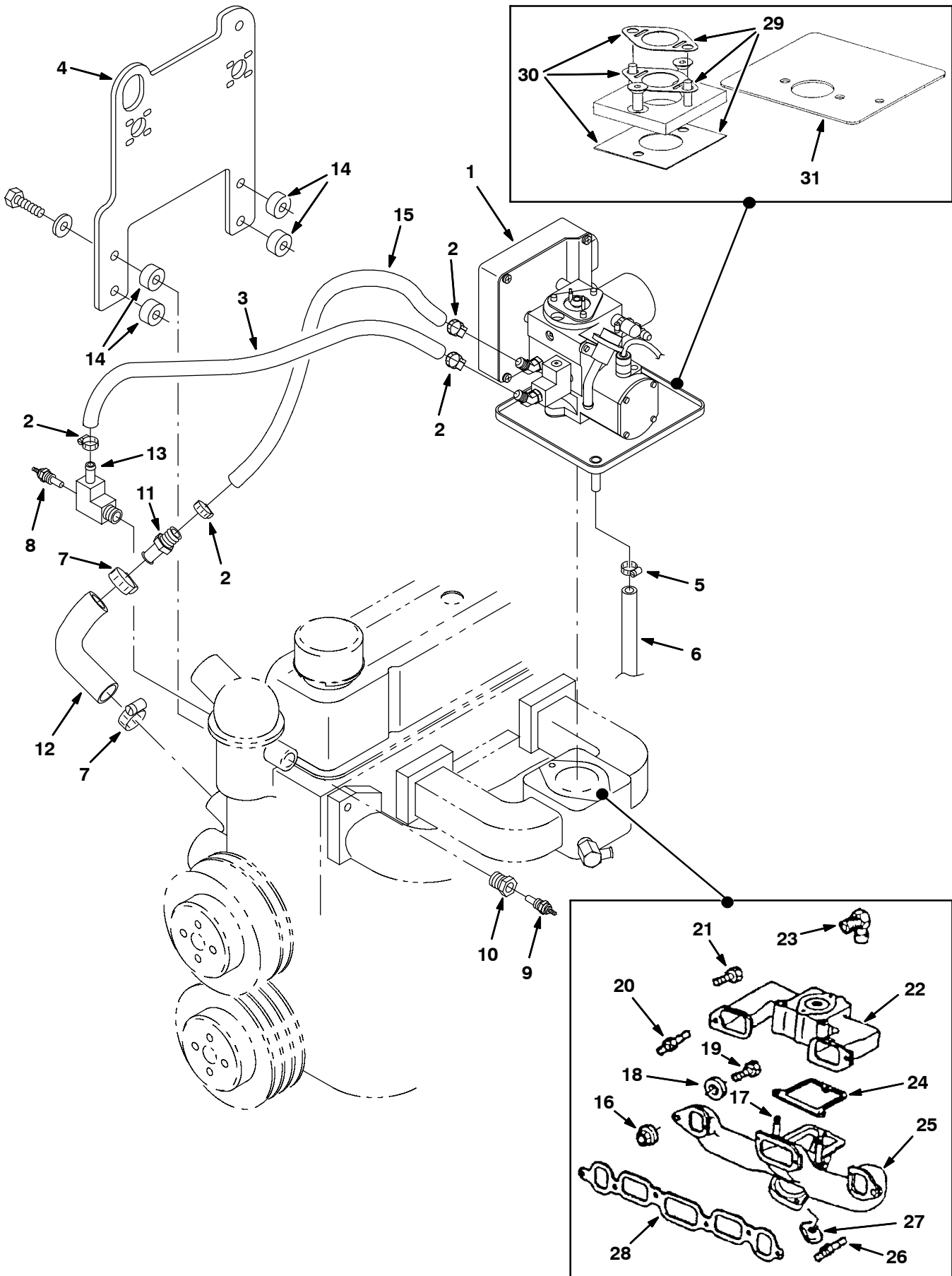


Fig. 29 - Engine Electronic Fuel Ignition Group, Gas (003179-003999)

Ref.	Part No.	Serial Number	Description	Qty.	
1	371896	(003179-003999 )	Housing Assy, Throttle, Gas, [With Ecu] (See Breakdowns)	1	
1	371897	(003179-003999 )	Housing Assy, Throttle, Gas, [Without Ecu] (See Breakdowns)	1	
2	371538	(003179-003999 )	Clamp	5	
3	371532	(003179-003999 )	Hose, Heater, 0.38id	1	
4	392570	(003179-003999 )	Plate	1	
5	86824	(003179-003999 )	Clamp, Hose, Wormdrive, 0.50-1.06d	1	
6	16387	(003179-003999 )	Hose, Fuel, 0.50id 52.0l	1	
7	11399	(003179-003999 )	Clamp, Hose, Wormdrive, 0.81-1.50d	2	
8	9006591	(003179-003999 )	Sensor, Temp, Coolant	1	
9	36165	(003179-003999 )	Send-unit, Water, Temperature, .38npt	1	
10	47167	(003179-003999 )	Fitting, Brs, Str, Pm08/Pf06	1	
11	371763	(003179-003999 )	Fitting, Hose	1	
12	371765	(003179-003999 )	Hose	1	
13	371766	(003179-003999 )	Fitting, Elbow	1	
14	371767	(003179-003999 )	Spacer	4	
15	769808	(003179-003999 )	Hose, Heater, 0.38id x 18.0 L	1	
16	393905	(003179-003999 )	Nut	8	
17	393906	(003179-003999 )	Stud	2	
18	393907	(003179-003999 )	Washer	-	
19	393898	(003179-003999 )	Bolt	3	
20	393908	(003179-003999 )	Stud	1	
21	393909	(003179-003999 )	Bolt	-	
22	393910	(003179-003999 )	Manifold, Intake	1	
23	393911	(003179-003999 )	Fitting	1	
24	393912	(003179-003999 )	Gasket	1	
25	393913	(003179-003999 )	Manifold, Exhaust	1	
26	393914	(003179-003999 )	Stud	2	
27	393915	(003179-003999 )	Clamp	4	
28	393916	(003179-003999 )	Gasket	1	
▽	29	371646	(003179-003999 )	Kit, Adaptor, Manifold	1
▲	30	371647	(003179-003999 )	Kit, Gasket, Manifold	1
	31	371658	(003179-003999 )	Shield, Heat	1

# STANDARD PARTS

Fig. 30 - Engine Electronic Fuel Ignition Group, Gas (004000-004499)

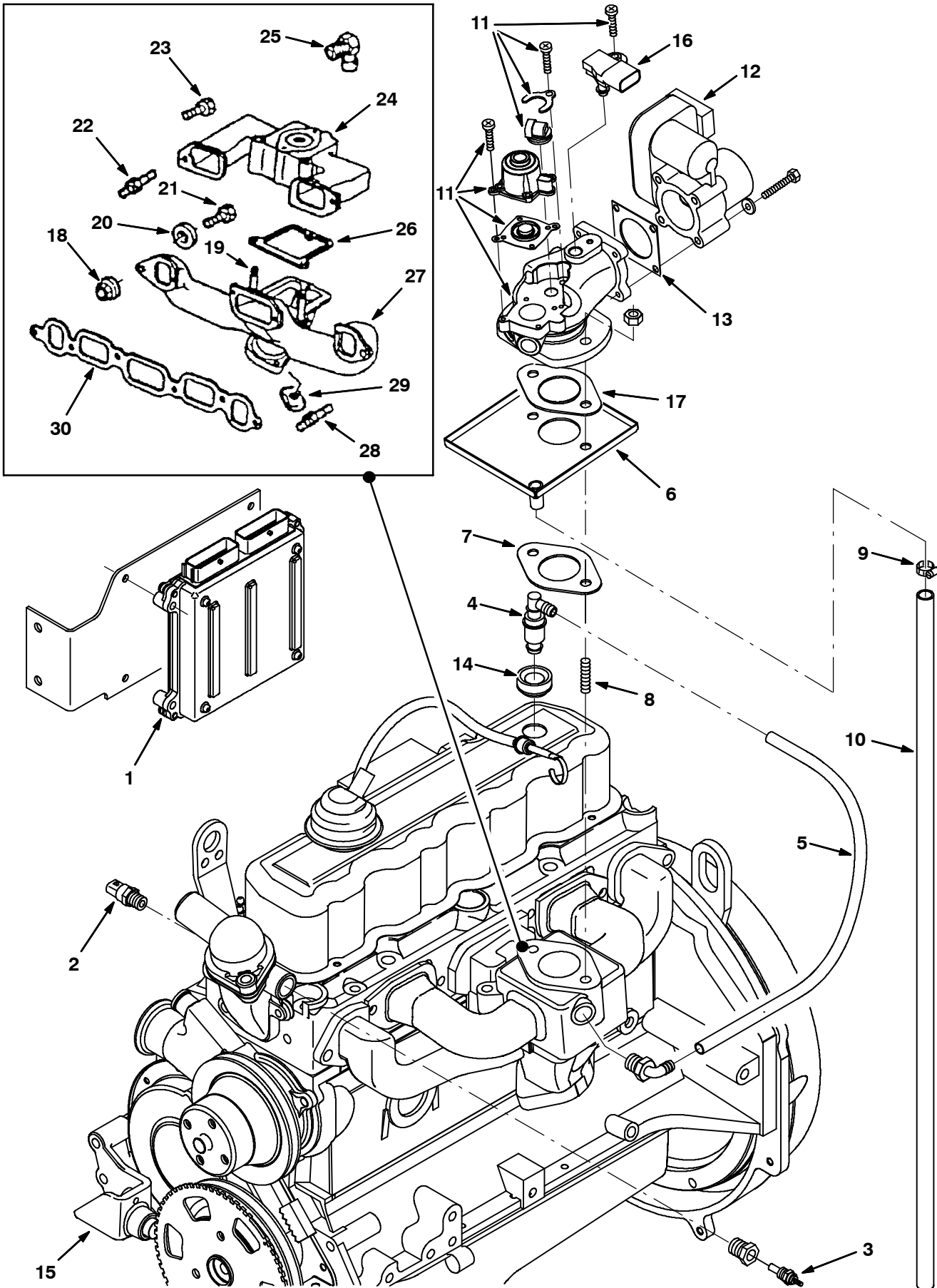


Fig. 30 - Engine Electronic Fuel Ignition Group, Gas (004000-004499)

Ref.	Part No.	Serial Number	Description	Qty.
1	372860	(004000-004499 )	Module, Ecu, Gas [Gm 3.0]	1
2	372891	(004000-004499 )	Sensor, Temp, Coolant	1
3	372472	(004000-004499 )	Sensor, Temp	1
4	372483	(004000-004499 )	Valve, [Pcv]	1
5	372489	(004000-004499 )	Hose, 9.5mm X 450mm [Pcv]	1
6	1013350	(004000-004499 )	Tray Wldt, Drip, Gas [3.0]	1
7	372490	(004000-004499 )	Gasket, Carb	1
8	372466	(004000-004499 )	Stud, .38-16 X 1.2	2
9	63810	(004000-004499 )	Clamp, Hose, Wormdrive, 0.56-1.06d, .56w	1
10	16387	(004000-004499 )	Hose, Fuel, 0.50id 52.0l	1
11	372488	(004000-004499 )	Housing Assy, Throttle, Gas	1
12	384974	(004000-004499 )	Housing, Throttle, 40mm [Bosch]	1
13	372545	(004000-004499 )	Gasket, Body, Throttle, Gas	1
14	393984	(004000-004499 )	Grommet	1
15	372492	(004000-004499 )	Sensor, Speed, Timing Wheel [3.0]	1
16	372493	(004000-004499 )	Sensor, [Tmap]	1
17	372490	(004000-004499 )	Gasket, Carb	1
18	393905	(004000-004499 )	Nut	8
19	393906	(004000-004499 )	Stud	2
20	393907	(004000-004499 )	Washer	-
21	393898	(004000-004499 )	Bolt	3
22	393908	(004000-004499 )	Stud	1
23	393909	(004000-004499 )	Bolt	-
24	393910	(004000-004499 )	Manifold, Intake	1
25	393911	(004000-004499 )	Fitting	1
26	393912	(004000-004499 )	Gasket	1
27	393913	(004000-004499 )	Manifold, Exhaust	1
28	393914	(004000-004499 )	Stud	2
29	393915	(004000-004499 )	Clamp	4
30	393916	(004000-004499 )	Gasket	1

**Fig. 31 - Engine Electronic Fuel Ignition Group, Gas (004500- )**

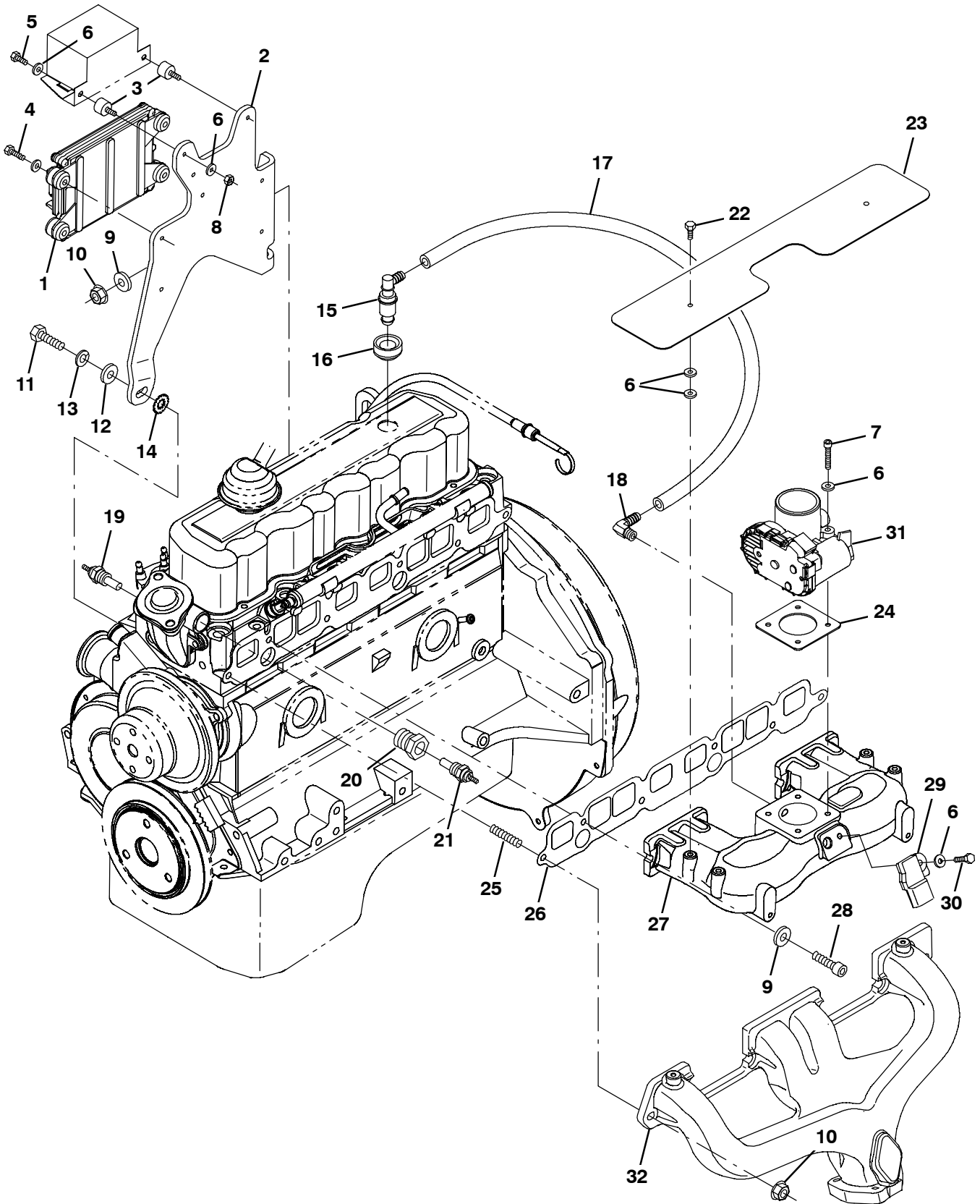


Fig. 31 - Engine Electronic Fuel Ignition Group, Gas (004500- )

Ref.	Part No.	Serial Number	Description	Qty.
1	1032804	(004500-	) Module, Ecu, Gas [Gm3.0l 2007]	1
2	385008	(004500-	) Bracket, Box, Relay	1
3	372470	(004500-	) Isolator, Box, Relay	2
4	25047	(004500-	) Screw, Hex, .25-20 X 1.25, G5	4
5	19315	(004500-	) Screw, Hex, .25-20 X 0.50, G5	2
6	32490	(004500-	) Washer, Flat, 0.25, Std	13
7	06948	(004500-	) Screw, Hex, M6 X 1.0 X 45, 8.8	4
8	19312	(004500-	) Nut, Hex, Std, .25-20	2
9	371877	(004500-	) Washer, Flat, 0.38, Hardened	5
10	27980	(004500-	) Nut, Hex, Flng, .38-16	3
11	371553	(004500-	) Screw, .38-16 X 1.00	1
12	371877	(004500-	) Washer, Flat, 0.38, Hardened	1
13	371509	(004500-	) Washer, Lock, 0.38	1
14	371875	(004500-	) Washer, Lock, Int / Ext, 0.38	1
15	9006589	(004500-	) Valve [Pcv]	1
16	393984	(004500-	) Grommet	1
17	385001	(004500-	) Hose, Fuel, .38d, Rbr	1
18	385002	(004500-	) Fitting, E90	1
19	9006591	(004500-	) Sensor, Temp, Coolant	1
20	385000	(004500-	) Fitting, Bshg	1
21	372472	(004500-	) Sensor, Temp	1
22	385007	(004500-	) Screw, M6 X 10mm	2
23	385006	(004500-	) Shield, Heat, Manifold	1
24	372545	(004500-	) Gasket, Body, Throttle [1.6l]	1
25	372466	(004500-	) Stud, .38-16 X 1.2l	2
26	385003	(004500-	) Gasket, Manifold, Intake	1
27	385004	(004500-	) Manifold, Intake [2007]	1
28	10830	(004500-	) Screw, Soc, .38-16 X 1.00, Al	4
29	384985	(004500-	) Sensor [T Map]	1
30	19317	(004500-	) Screw, Hex, .25-20 X 0.75, G5	1
31	384974	(004500-	) Housing, Throttle, 40mm [Bosch]	1
32	1060653	(004500-	) Manifold, Exhaust [Gm3.0l]	1

**Fig. 32 - Engine Carburetor and Governor Group, LPG (003000-003178)**

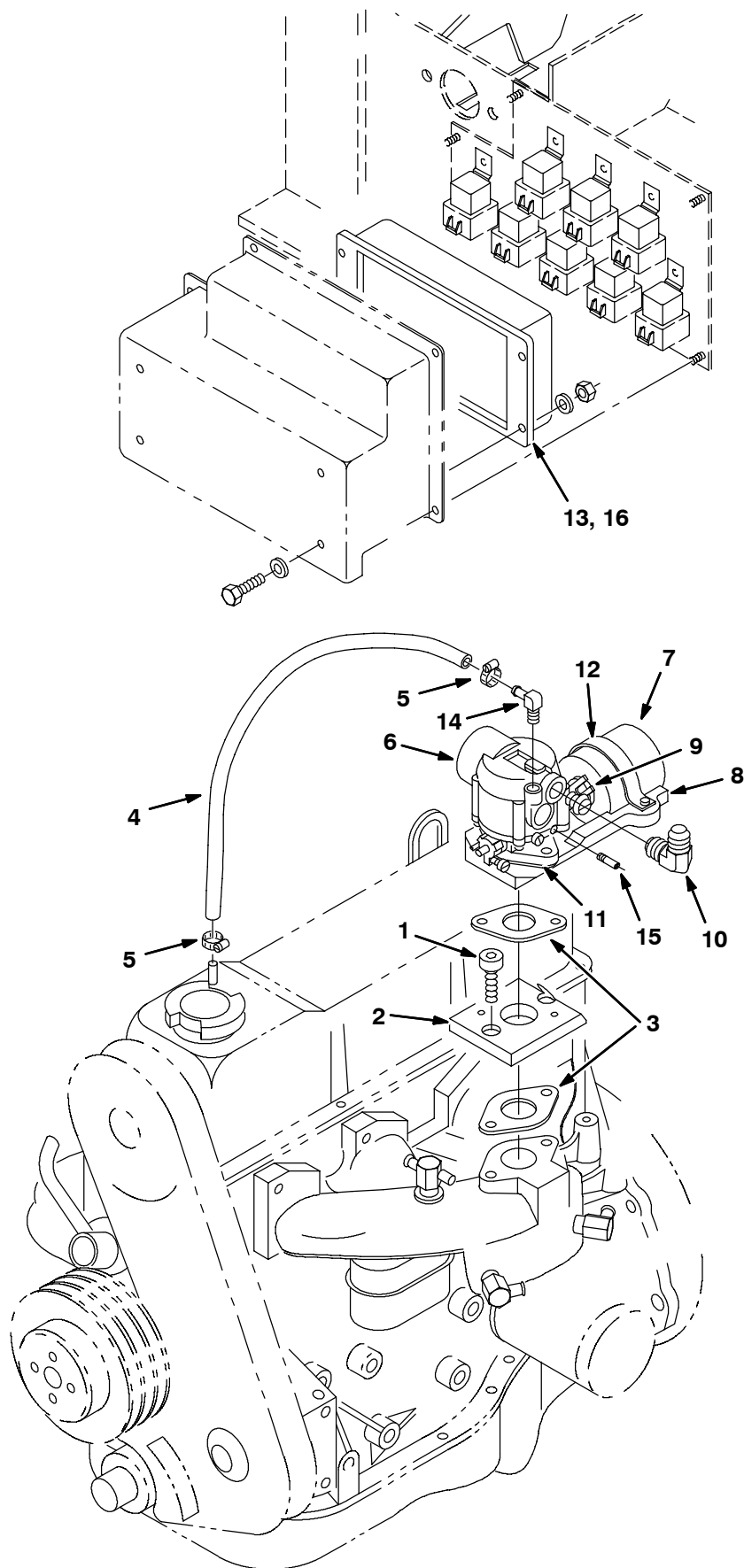




Fig. 32 - Engine Carburetor and Governor Group, LPG (003000-003178)

Ref.	Part No.	Serial Number	Description	Qty.
1	33951	(003000-003178 )	Scr Soc M6x1.0 20	2
2	83686	(003000-003178 )	Adapter, Carburetor, Ford 2.3	1
3	74443	(003000-003178 )	Gasket, Carb To Engine	2
4	70876	(003000-003069 )	Hose, Rubber.38Idx.62Od 21.0Lg	1
4	375718	(003070-003178 )	Hose, Rubber	1
5	43844	(003000-003178 )	Clamp-Wormdrive, 0.25- 0.62D	2
▽	83679	(003000-003178 )	Governor and Control Unit Assy, Lpg 2.3	1
▲▽	83640	(003000-003178 )	Governor Assy, Lpg	1
▲▲	6 73017	(003000-003178 )	Carburetor, Lpg W/Gasket	1
▲▲	7 83683	(003000-003178 )	Actuator-Lh, Governor	1
▲▲	8 83682	(003000-003178 )	Bracket-Mtg, Governor	1
▲▲	9 83684	(003000-003178 )	Linkage Kit, Governor	1
▲▲	10 69097	(003000-003178 )	Ftg-Hyd E90 Pm06/Jm10	1
▲▲	11 74443	(003000-003178 )	Gasket, Carb To Engine	1
▲▲	12 83685	(003000-003178 )	Strap, Mounting	1
▲▲	13 374127	( xxxxxx-003178 )	Kit, Replmt, Control, Govnr, [All Purps]	1
▲	14 53029	(003000-003178 )	Ftg-Brs E90 Bm05/Pm02	1
▲	15 74402	(003000-003178 )	Fitting, Special, Carb	1
▽	16 83758	(003000- xxxxxx )	Control Unit, Gov. (Repl. by 374127)	1
▲	374625	(003000- xxxxxx )	Plug, Control Box	2

Fig. 33 - Engine Vaporizer Group, LPG (003000-003144)

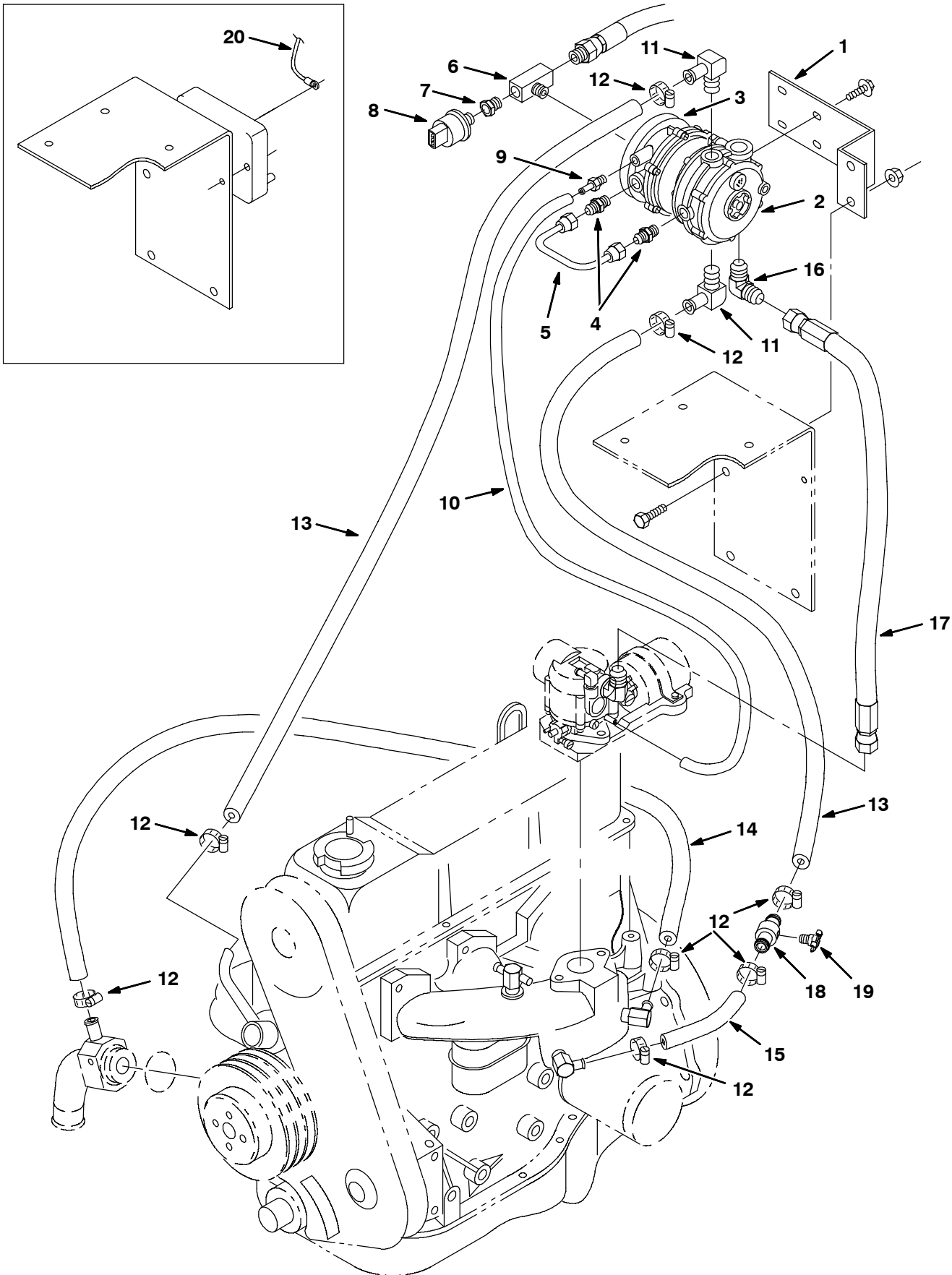


Fig. 33 - Engine Vaporizer Group, LPG (003000-003144)

Ref.	Part No.	Serial Number	Description	Qty.
	1	70849	(003000-003144 ) Bracket, Mounting, Vaporizer	1
▽	2	374648	(003000-003144 ) Vaporizer, Lpg	1
▲		374649	(003000-003144 ) Vaporizer Repair Kit	1
▽	3	73020	(003000-003144 ) Filter, Fuellockoff, Lpg	1
▲		65527	(003000-003144 ) Fuellock Replacement Kit	1
	4	15724	(003000-003144 ) Ftg-Hyd Str Pm04/Jm06	2
	5	59808	(003000-003144 ) Fuelline, .375 Od	1
	6	53268	(003000-003144 ) Ftg,Brass Tee 04Pf- 04Pm- 04Pf	1
	7	17414	(003000-003144 ) Ftg-Hyd Str Pm04/Pf02	1
	8	23156	(003000-003144 ) Switch, Pressure, Lpg	1
	9	40607	(003000-003144 ) Ftg,Brass,St Bm03/Pm02	1
	10	34072	(003000-003144 ) Hose, Vacuum,.16ld X 21.0Lg	1
	11	51839	(003000-003144 ) Ftg-Brs E90 Bm10/Pm06	2
	12	63810	(003000-003144 ) Clamp-Wormdrive, 0.56- 1.06D	8
	13	72979	(003000-003144 ) Hose, .62ld X 20.0 Lng Heater	2
	14	30389	(003000-003144 ) Hose,Heater .62ldx53.0Lg	1
	15	60726	(003000-003144 ) Hose,Heater .62ldx15.0Lg	1
	16	46611	(003000-003144 ) Ftg-Hyd E90 Pm08/Jm10	1
	17	60725	(003000-003144 ) Hose Lpg, 10Lpg 28In.Lg	1
	18	83578	(003000-003144 ) Tube, Air Bleed	1
	19	83580	(003000-003144 ) Fitting, Brass Drain Cock	1
	20	374615	(003000-003042 ) Wire Kit, LP	1

**Fig. 34 - Engine Vaporizer Group, LPG (003145-003178)**

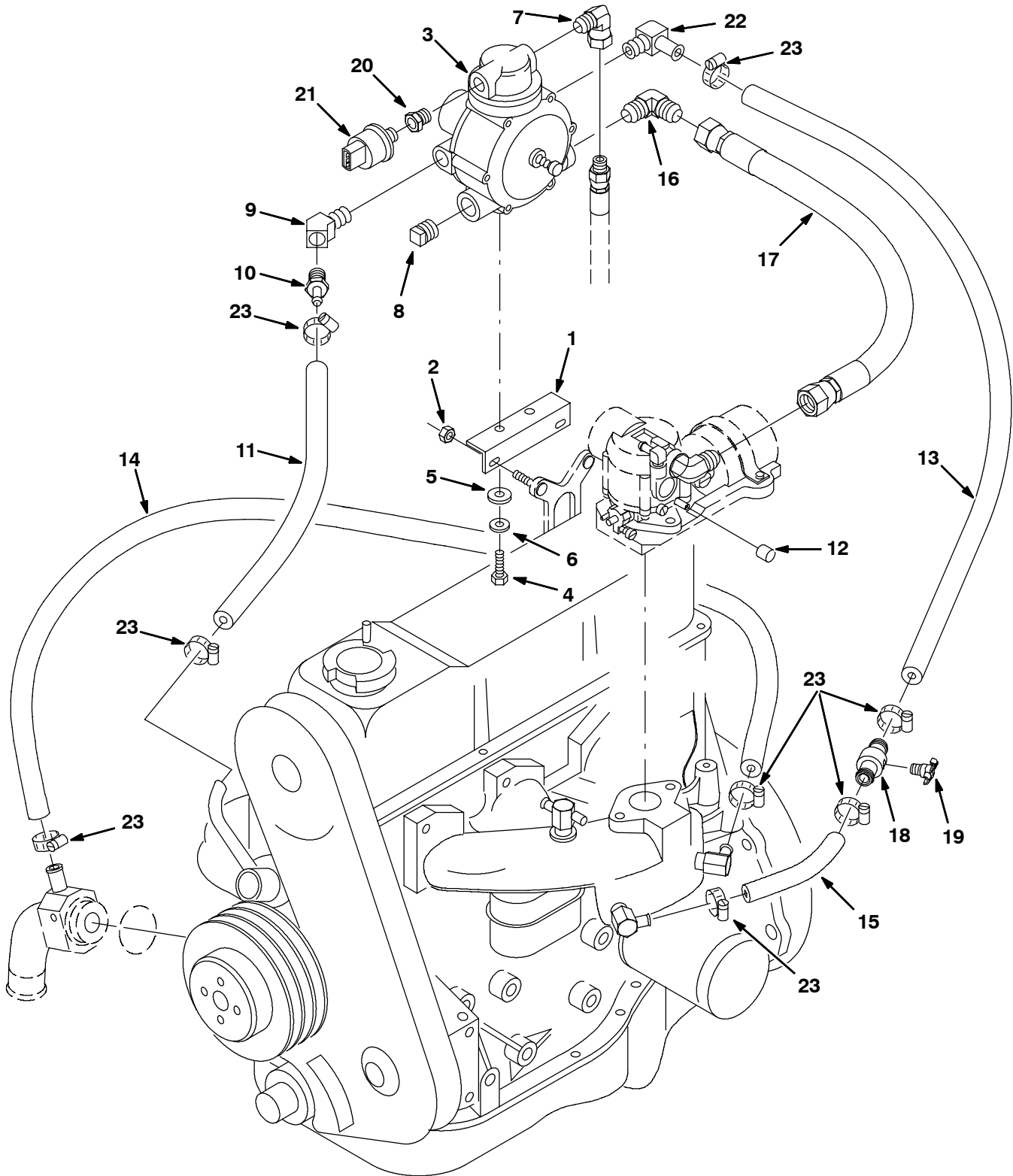


Fig. 34 - Engine Vaporizer Group, LPG (003145-003178)

Ref.	Part No.	Serial Number	Description	Qty.
1	374154	(003145-003178 )	Angle, Mtg, .12x1x1x4.5L	1
2	07789	(003145-003178 )	Nut, Hex, Flng, M05 X 0.8	2
▽	383170	(003145-003178 )	Controller, Lpg, 12Vdc	1
▲	383014	(003145-003178 )	Kit, Repair, Vaporizer, F/383170	1
4	06942	(003145-003178 )	Screw, Hex, M06 X 1.0 X 16, 8.8	2
5	32483	(003145-003178 )	Washer, Flt, .25 Sae	2
6	32982	(003145-003178 )	Washer, Lock, Int, .25	2
7	27048	(003145-003178 )	Fitting, Brs, E90, Pm04/Pf04	1
8	17521	(003145-003178 )	Fitting, Plug, Pm08 Sq Head	1
9	1043095	(003145-003178 )	Fitting, Brs, E45, Pm06/Pf06	1
10	27767	(003145-003178 )	Fitting, Brs, Str, Pm06/Em10	1
11	60726	(003145-003178 )	Hose, Heater, Str, 0.62id 15.0	1
12	63810	(003145-003178 )	Clamp-Wormdrive, 0.56- 1.06D	8
13	72979	(003145-003178 )	Hose, .62ld X 20.0 Lng Heater	2
14	30389	(003145-003178 )	Hose,Heater .62ldx53.0Lg	1
15	60726	(003145-003178 )	Hose,Heater .62ldx15.0Lg	1
16	46611	(003145-003178 )	Ftg-Hyd E90 Pm08/Jm10	1
17	60725	(003145-003178 )	Hose Lpg, 10Lpg 28In.Lg	1
18	83578	(003145-003178 )	Tube, Air Bleed	1
19	83580	(003145-003178 )	Fitting, Brass Drain Cock	1
20	17414	(003145-003178 )	Fitting, Hyd, Str, Pm04/Pf02	1
21	23156	(003145-003178 )	Switch	1
22	51839	(003145-003178 )	Fitting, Brs, E90, Pm06/Em10	1
23	63810	(003145-003178 )	Clamp, Hose, Wormdrive, 0.56-1.06d	8

# STANDARD PARTS

Fig. 35 - Engine Electronic Fuel Ignition and Vaporizer Group, LPG (003179-003999)

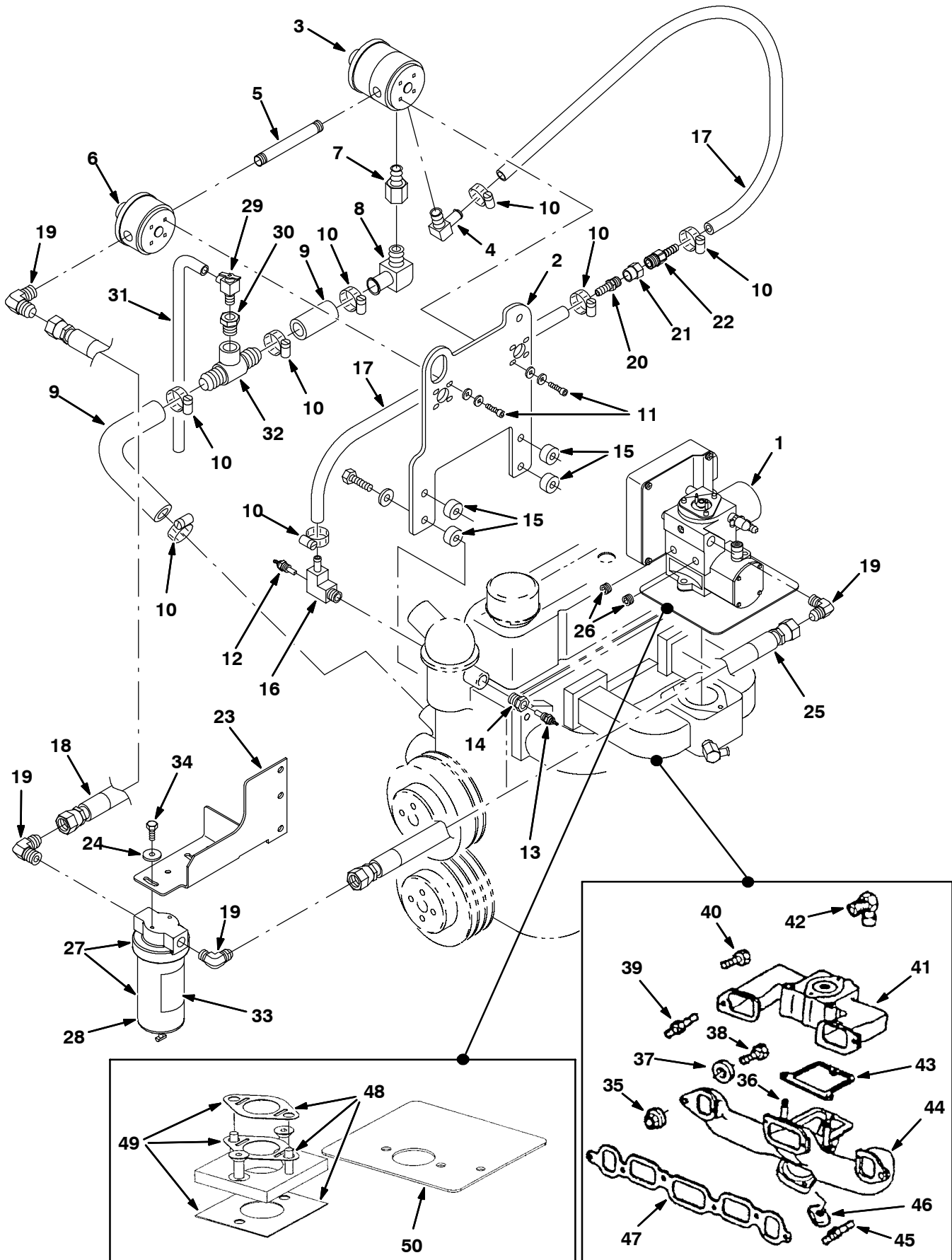


Fig. 35 - Engine Electronic Fuel Ignition and Vaporizer Group, LPG (003179-003999)

Ref.	Part No.	Serial Number	Description	Qty.	
1	371894	(003179-003999 )	Housing Assy, Throttle, Lpg, [With Ecu] (See Breakdowns)	1	
1	371895	(003179-003999 )	Housing Assy, Throttle, Lpg, [Without Ecu] (See Breakdowns)	1	
2	392570	(003179-003999 )	Plate	1	
3	371749	(003179-003999 )	Vaporizer	1	
4	371754	(003179-003999 )	Fitting	1	
5	371755	(003179-003999 )	Pipe	1	
6	371750	(003179-003999 )	Regulator	1	
7	371768	(003179-003999 )	Fitting	1	
8	371757	(003179-003999 )	Fitting	1	
9	393972	(003179-003999 )	Hose, Conv	1	
10	11399	(003179-003999 )	Clamp, Hose, Wormdrive, 0.81-1.50d	8	
11	371759	(003179-003999 )	Screw	8	
12	371764	(003179-003999 )	Sensor, Water Temp	1	
13	36165	(003179-003999 )	Send-unit, Water, Temperature, .38npt	1	
14	47167	(003179-003999 )	Fitting, Brs, Str, Pm08/Pf06	1	
15	371767	(003179-003999 )	Spacer	4	
16	371766	(003179-003999 )	Fitting, Elbow	1	
17	769806	(003179-003999 )	Hose, Heater, 0.38id x 21.0id	1	
18	1017477	(003179-003999 )	Hose, Lpg, Med08, Jf08str/Jf08str , 37.5	1	
19	1017272	(003179-003999 )	Fitting, Hyd, E90, Jm08/Pm04	4	
20	150516	(003179-003999 )	Fitting, Brs, Str, Pm04/Bm06, T	1	
21	1017239	(003179-003999 )	Fitting, Brs, Rst, Pf04/.69-16f, .063	1	
22	1017598	(003179-003999 )	Fitting, Plstc, Str, Bm06/M.69-16	1	
23	1017080	(003179-003999 )	Bracket, Fltr, Lpg [6600]	1	
24	29570	(003179-003999 )	Washer, Flat, 0.28b 1.00d .06, Stl	2	
25	1017476	(003179-003999 )	Hose, Lpg, Med08, Jf08str/Jf08str , 35.0	1	
26	02247	(003179-003999 )	Fitting, Pipe, Plug, Pm04 Hex Soc	2	
▽	27	1017500	(003179-003999 )	Filter, Fuel, Lpg [Coalescent]	1
▲	28	372937	(003179-003999 )	Element, Fltr, Fuel Lpg [Coalescent]	1
29	51305	(003179-003999 )	Fitting, Draincock, .25npt 90	1	
30	311828	(003179-003999 )	Fitting, Brs, Str, Pm08/Pf04	1	
31	392258	(003179-003999 )	Hose, Pvc, Clr, 0.38id 0.56od 13.00l	1	
32	64740	(003179-003999 )	Fitting, Plstc, Tee, Bm12/Pf08/Bm12	1	
33	1017662	(003179-003999 )	Label, Instr, Filter Drain	1	
34	19317	(003179-003999 )	Screw, Hex, .25-20 X 0.75, 5	2	
	130041	(003179-003999 )	Tie, Wire 11-1/2x.19 Ny (not shown)	6	
35	393905	(003179-003999 )	Nut	8	
36	393906	(003179-003999 )	Stud	2	
37	393907	(003179-003999 )	Washer	-	
38	393898	(003179-003999 )	Bolt	3	
39	393908	(003179-003999 )	Stud	1	
40	393909	(003179-003999 )	Bolt	-	
41	393910	(003179-003999 )	Manifold, Intake	1	
42	393911	(003179-003999 )	Fitting	1	
43	393912	(003179-003999 )	Gasket	1	
44	393913	(003179-003999 )	Manifold, Exhaust	1	
45	393914	(003179-003999 )	Stud	2	
46	393915	(003179-003999 )	Clamp	4	
47	393916	(003179-003999 )	Gasket	1	

# STANDARD PARTS

354329 - 800, LP

**Fig. 35 - Engine Electronic Fuel Ignition and Vaporizer Group, LPG (004937-005999)**

	<b>Ref.</b>	<b>Part No.</b>	<b>Serial Number</b>	<b>Description</b>	<b>Qty.</b>
▽	48	371646	(003179-003999 )	Kit, Adaptor, Manifold	1
▲	49	371647	(003179-003999 )	Kit, Gasket, Manifold	1
	50	371658	(003179-003999 )	Shield, Heat	1





# STANDARD PARTS

Fig. 36 - Engine Electronic Fuel Ignition and Vaporizer Group, LPG (004000-004499)

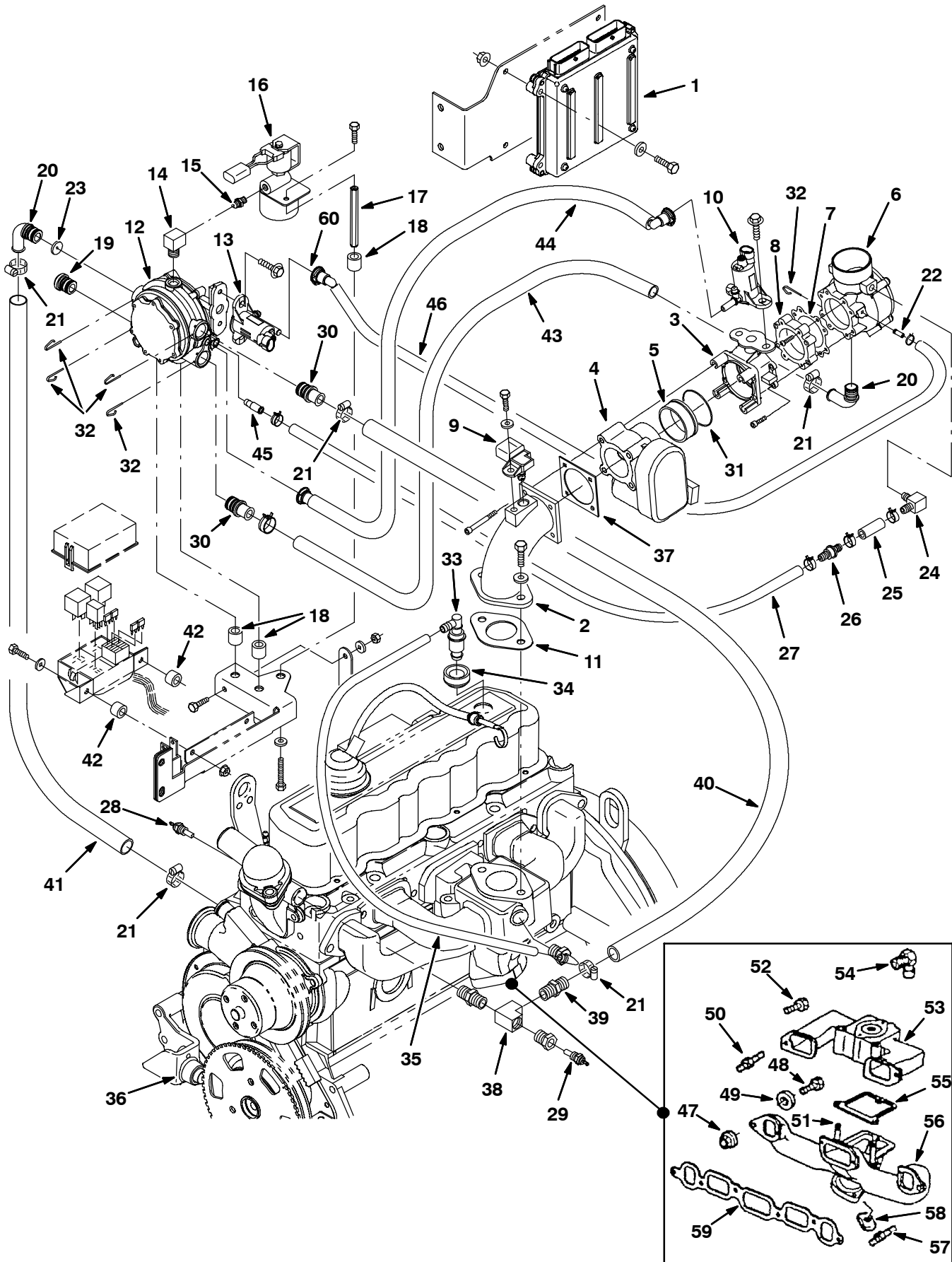


Fig. 36 - Engine Electronic Fuel Ignition and Vaporizer Group, LPG (004000-004499)

Ref.	Part No.	Serial Number	Description	Qty.	
1	372859	(004000-004499 )	Module, Ecu, Lpg [Gm 3.0]	1	
2	372495	(004000-004499 )	Adaptor, Intake, Lpg [3.0]	1	
3	372496	(004000-004499 )	Adaptor, Valve, Fuel Trim	1	
4	384974	(004000-004499 )	Housing, Throttle, 40mm [Bosch]	1	
5	372498	(004000-004499 )	Sleeve, Throttle [Bosch], Plstc	1	
6	372899	(004000-004499 )	Housing Assy, Throttle, Lpg [Gm 3.0]	1	
7	372608	(004000-004499 )	Gasket	1	
8	372612	(004000-004499 )	Adapter, Throttle Body	1	
9	372493	(004000-004499 )	Sensor, [Tmap]	1	
10	372497	(004000-004499 )	Valve, Trim, Fuel, Lpg	1	
11	372490	(004000-004499 )	Gasket, Carb	1	
12	372500	(004000-004499 )	Converter, Lpg	1	
13	372501	(004000-004499 )	Valve, Trim, Press, Lpg	1	
14	372611	(004000-004499 )	Fitting, Str, E90, .25npt	1	
15	372610	(004000-004499 )	Fitting, Nipple, .25npt, Brs	1	
▽	16	372503	(004000-004499 )	Valve, Fuelock, Lpg, W/ Wire Connector	1
▲	17	372615	(004000-004499 )	Filter Kit, Lpg Lockoff	1
	17	372577	(004000-004499 )	Spacer, Sppt, Filter Lock Off	1
	18	372518	(004000-004499 )	Isolator Kit, Mtg, Vaporizer, Rbr	3
	19	372515	(004000-004499 )	Fitting, Cap	1
	20	372512	(004000-004499 )	Fitting, E70	2
	21	63810	(004000-004499 )	Clamp, Hose, Wormdrive, 0.56-1.06d	5
	22	372511	(004000-004499 )	Fitting, Hose, Vacuum, .25	1
	23	372517	(004000-004499 )	Restrictor, Jet, Coolant	1
	24	372510	(004000-004499 )	Fitting, E90	1
	25	372507	(004000-004499 )	Hose, Balancing, Press, 45mm	1
	26	372569	(004000-004499 )	Valve, Check	1
	27	372506	(004000-004499 )	Hose, Balancing, Press, 680mm	1
	28	372891	(004000-004499 )	Sensor, Temp, Coolant	1
	29	372472	(004000-004499 )	Sensor, Temp	1
	30	372514	(004000-004499 )	Fitting, Str	2
	31	372484	(004000-004499 )	Seal, Org	1
	32	372523	(004000-004499 )	Pin, Retainer	5
	33	372483	(004000-004499 )	Valve, [Pcv]	1
	34	393984	(004000-004499 )	Grommet	1
	35	372489	(004000-004499 )	Hose, 9.5mm X 450mm [Pcv]	1
	36	372492	(004000-004499 )	Sensor, Speed, Timing Wheel [3.0]	1
	37	372545	(004000-004499 )	Gasket, Body, Throttle [1.6]	1
	38	372527	(004000-004499 )	Fitting, Pipe, Tee, Pm06/Pf06/Pf06	1
	39	372526	(004000-004499 )	Fitting, Hose, 10hose/Pm06	1
	40	372531	(004000-004499 )	Hose, Mold, .62 X 37.0	1
	41	372528	(004000-004499 )	Hose, Mold, .62 To .75	1
	42	372470	(004000-004499 )	Isolator, Box, Relay	2
	43	372508	(004000-004499 )	Hose, Fuel, 165mm	1
	44	372504	(004000-004499 )	Hose, Valve, Fuel Trim, 325mm	1
	45	372516	(004000-004499 )	Fitting, Brs, Adapter	1
	46	372505	(004000-004499 )	Hose, Valve, Press Trim, 405mm	1
	47	393905	(004000-004499 )	Nut	8
	48	393906	(004000-004499 )	Stud	2
	49	393907	(004000-004499 )	Washer	-
	50	393898	(004000-004499 )	Bolt	3

## STANDARD PARTS

354175 - 800, LP

**Fig. 36 - Engine Electronic Fuel Ignition and Vaporizer Group, LPG (004000-004499)**

<b>Ref.</b>	<b>Part No.</b>	<b>Serial Number</b>	<b>Description</b>	<b>Qty.</b>
51	393908	(004000-004499 )	Stud	1
52	393909	(004000-004499 )	Bolt	-
53	393910	(004000-004499 )	Manifold, Intake	1
54	393911	(004000-004499 )	Fitting	1
55	393912	(004000-004499 )	Gasket	1
56	393913	(004000-004499 )	Manifold, Exhaust	1
57	393914	(004000-004499 )	Stud	2
58	393915	(004000-004499 )	Clamp	4
59	393916	(004000-004499 )	Gasket	1
60	9004539	(004000-004499 )	Clamp, Valve, Trim [Impco]	1



# STANDARD PARTS

Fig. 37 - Engine Electronic Fuel Ignition and Vaporizer Group, LPG (004500- )

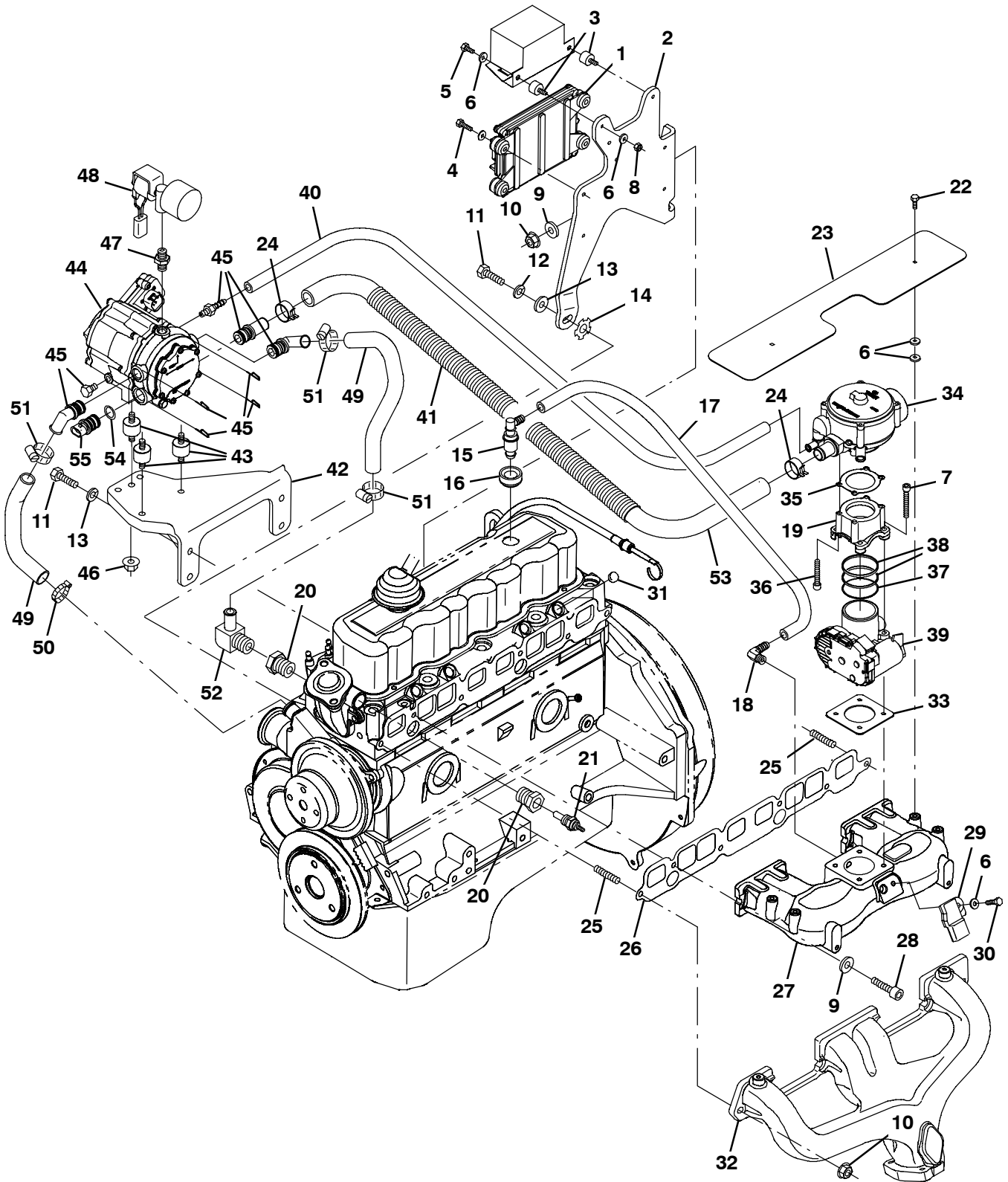


Fig. 37 - Engine Electronic Fuel Ignition and Vaporizer Group, LPG (004500- )

Ref.	Part No.	Serial Number	Description	Qty.
1	1032805	(004500- )	Module, Ecu, Lpg [Gm3.0l 2007]	1
2	385008	(004500- )	Bracket, Box, Relay	1
3	372470	(004500- )	Isolator, Box, Relay	2
4	25047	(004500- )	Screw, Hex, .25-20 X 1.25, G5	4
5	19315	(004500- )	Screw, Hex, .25-20 X 0.50, G5	2
6	32490	(004500- )	Washer, Flat, 0.25, Std	13
7	385016	(004500- )	Screw, Soc, M6 X 1.00 X 70	4
8	19312	(004500- )	Nut, Hex, Std, .25-20	2
9	371877	(004500- )	Washer, Flat, 0.38, Hardened	5
10	27980	(004500- )	Nut, Hex, Flng, .38-16	3
11	371553	(004500- )	Screw, .38-16 X 1.00	5
12	371877	(004500- )	Washer, Flat, 0.38, Hardened	1
13	371509	(004500- )	Washer, Lock, 0.38	5
14	371875	(004500- )	Washer, Lock, Int / Ext, 0.38	1
15	9006589	(004500- )	Valve [Pcv]	1
16	393984	(004500- )	Grommet	1
17	385001	(004500- )	Hose, Fuel, .38d, Rbr	1
18	385002	(004500- )	Fitting, E90	1
19	384996	(004500- )	Adapter, Valve, 400mm [Bosch]	1
20	385000	(004500- )	Fitting, Bshg	2
21	372472	(004500- )	Sensor, Temp	1
22	385007	(004500- )	Screw, M6 X 10mm	2
23	385006	(004500- )	Shield, Heat, Manifold	1
24	384979	(004500- )	Clamp, Hose, Spring, 0.62d	2
25	372466	(004500- )	Stud, .38-16 X 1.2l	2
26	385003	(004500- )	Gasket, Manifold, Intake	1
27	385004	(004500- )	Manifold, Intake [2007]	1
28	10830	(004500- )	Screw, Soc, .38-16 X 1.00, Al	4
29	384985	(004500- )	Sensor [T Map]	1
30	19317	(004500- )	Screw, Hex, .25-20 X 0.75, G5	1
31	372579	(004500- )	Plug, Hole, Injector	4
32	1060653	(004500- )	Manifold, Exhaust [Gm3.0]	1
33	372545	(004500- )	Gasket, Body, Throttle [1.6l]	1
34	385012	(004500- )	Valve, Lpg [Mixer]	1
35	1037313	(004500- )	Gasket, Lpg, Adapter [Gm 2007]	1
36	385017	(004500- )	Screw, Soc, #12-24 X 1.50	4
37	1037311	(004500- )	Seal,Org, Lpg, Mixer [Gm 2007]	1
38	1037312	(004500- )	Gasket, Lpg, Mixer [Gm 2007]	2
39	384974	(004500- )	Housing, Throttle, 40mm [Bosch]	1
40	384973	(004500- )	Hose, Supply, Gas, .25id	1
41	384971	(004500- )	Cover, Hose	1
42	385014	(004500- )	Bracket [Epr]	2
43	384986	(004500- )	Isolator [Epr]	3
44	384977	(004500- )	Regulator [Ep]	1
45	384978	(004500- )	Fitting Kit [Epr]	1
46	385015	(004500- )	Nut, Flng, M8	3
47	372529	(004500- )	Fitting, Nipple, .25mal	1
48	384975	(004500- )	Valve, Lock Off	1
49	372528	(004500- )	Hose, Mold, .62 To .75	2
50	63810	(004500- )	Clamp, Hose, Wormdrive, 0.56-1.06d, .56w	1

## STANDARD PARTS

354175 - 800, LP

**Fig. 37 - Engine Electronic Fuel Ignition and Vaporizer Group, LPG (004500- )**

<b>Ref.</b>	<b>Part No.</b>	<b>Serial Number</b>	<b>Description</b>	<b>Qty.</b>
51	372539	(004500-	) Clamp, Hose, 1.0	3
52	385011	(004500-	) Fitting, E90	1
53	385013	(004500-	) Hose, Mold [Epr To Mixer]	1
54	1041151	(004500-	) Seal, Org, Sensor, Temp [Epr]	1
55	1041152	(004500-	) Sensor, Temp [Epr]	1





Fig. 38 - Engine Air Cleaner Group (003000-003178)

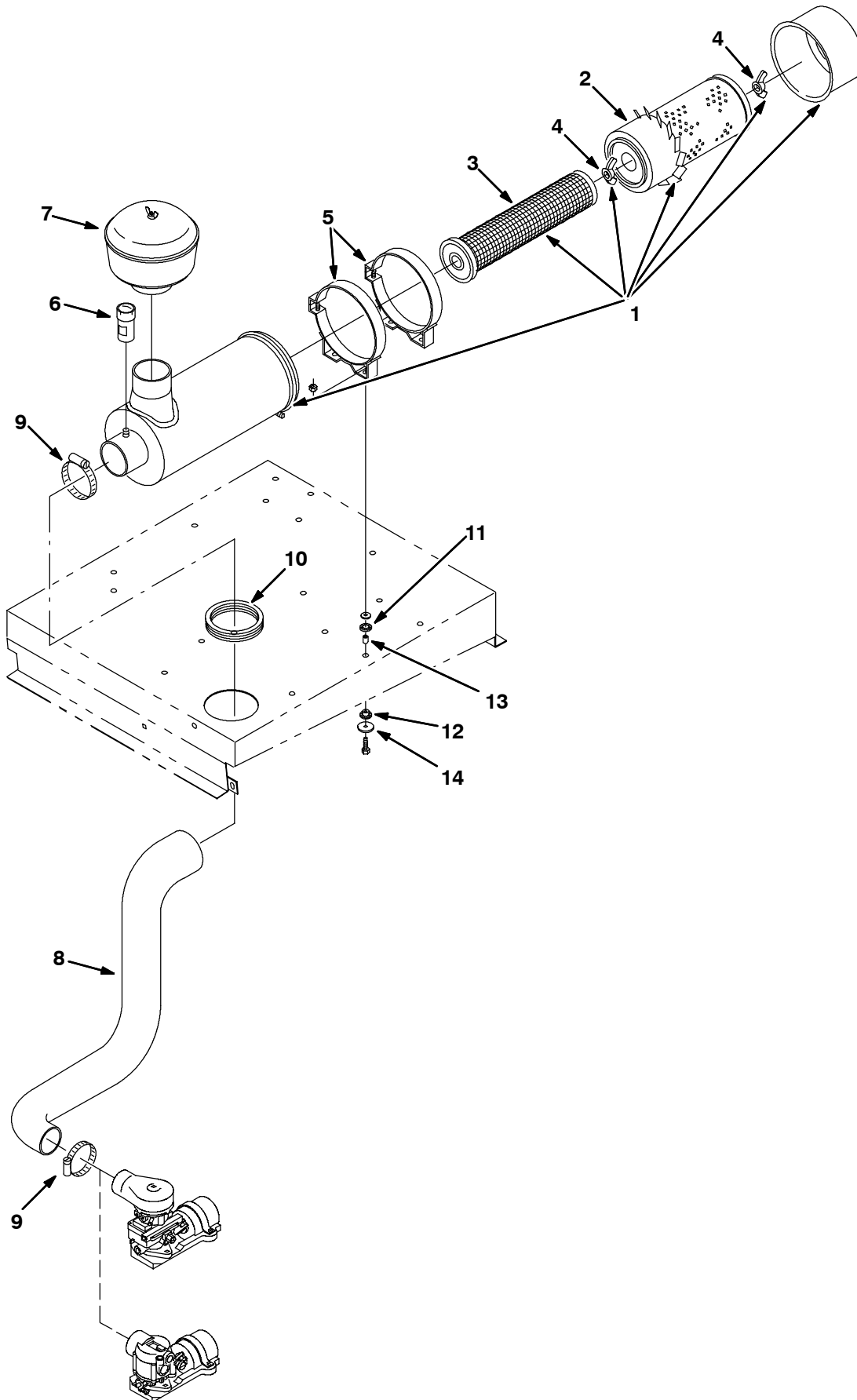


Fig. 38 - Engine Air Cleaner Group (003000-003178)

Ref.	Part No.	Serial Number	Description	Qty.
▽	1	48014	(003000-003178 ) Cleaner, Air Al Se	1
▲	2	60934	(003000-003178 ) Element, Air Cleaner	1
▲	3	60933	(003000-003178 ) Element, Filter Safety	1
▲	4	07562	(003000-003178 ) Nut,Wing .44-20 Special	2
	5	76321	(003000-003178 ) Band,Mtg.	2
	6	03026	(003000-003178 ) Indicator Service Air Filter	1
	7	75666	(003000-003178 ) Filter, Pre-Cleaner, A/C	1
	8	380592	(003000-003178 ) Hose, Molded	1
	9	43555	(003000-003178 ) Clamp-Wormdrive, 1.62- 3.50D	2
	10	380591	(003000-003178 ) Grommet, Rbr, 3.75ld F/ 4.0H .	1
	11	54527	(003000-003178 ) Ring, Rubber	4
	12	54528	(003000-003178 ) Bushing, Rubber	4
	13	45177	(003000-003178 ) Sleeve	4
	14	41178	(003000-003178 ) Washer, Fender	4

Fig. 39 - Engine Air Cleaner Group (003179-003999)

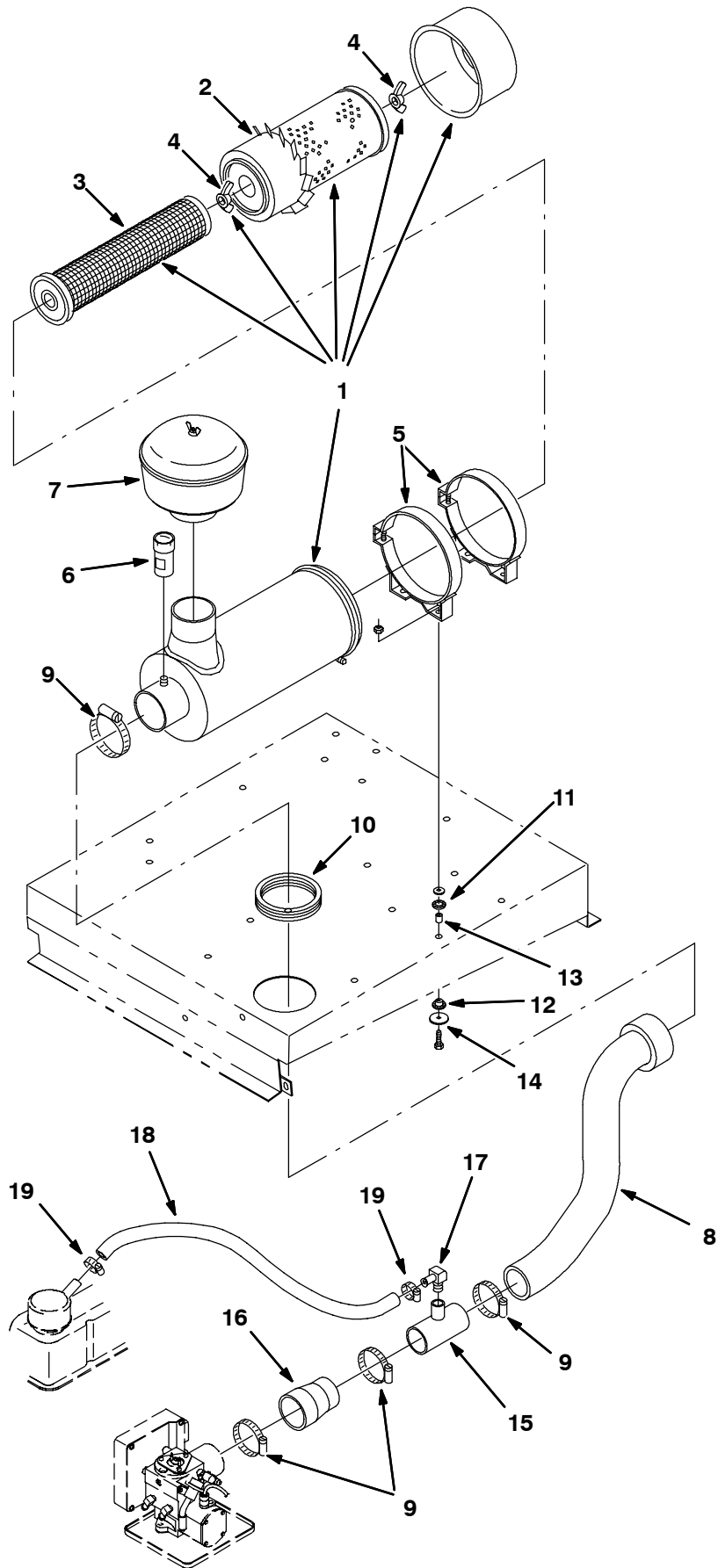


Fig. 39 - Engine Air Cleaner Group (003179-003999)

Ref.	Part No.	Serial Number	Description	Qty.
▽	1	48014	(003179-003999 ) Cleaner, Air Al Se	1
▲	2	60934	(003179-003999 ) Element, Air Cleaner	1
▲	3	60933	(003179-003999 ) Element, Filter Safety	1
▲	4	07562	(003179-003999 ) Nut,Wing .44-20 Special	2
	5	76321	(003179-003999 ) Band,Mtg.	2
	6	03026	(003179-003999 ) Indicator Service Air Filter	1
	7	75666	(003179-003999 ) Filter, Pre-Cleaner, A/C	1
	8	393208	(003179-003999 ) Hose, Molded	1
	9	43555	(003179-003999 ) Clamp-Wormdrive, 1.62- 3.50D	4
	10	380591	(003179-003999 ) Grommet, Rbr, 3.75ld F/ 4.0H .	1
	11	54527	(003179-003999 ) Ring, Rubber	4
	12	54528	(003179-003999 ) Bushing, Rubber	4
	13	45177	(003179-003999 ) Sleeve	4
	14	41178	(003179-003999 ) Washer, Fender	4
	15	393207	(003179-003999 ) Tube Wldt, Intake, 2.0d .38npt	1
	16	393205	(003179-003999 ) Tube, Intake, 2.0d 04.0l	1
	17	51839	(003179-003999 ) Fitting, Brs, E90, Em10/Pm06	1
	18	72978	(003179-003999 ) Hose, Heater, 0.62id 13.0l	1
	19	63810	(003179-003999 ) Clamp, Hose, Wormdrive, 0.56-1.06d	2

Fig. 40 - Engine Air Cleaner Group, Gas (004000-004499)

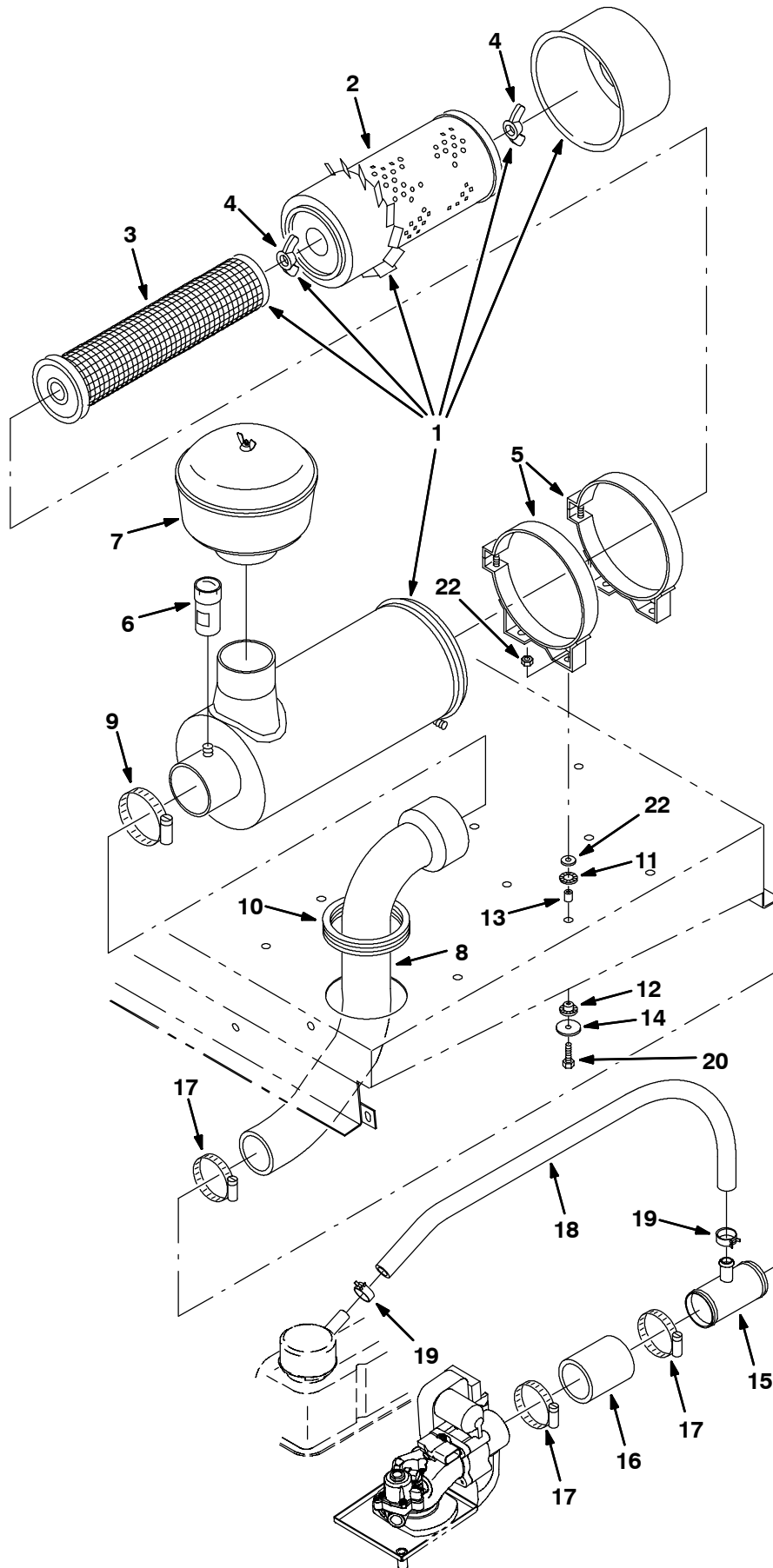


Fig. 40 - Engine Air Cleaner Group, Gas (004000-004499)

Ref.	Part No.	Serial Number	Description	Qty.
▽	1	48014	(004000-004499 ) Cleaner, Air Al Se	1
▲	2	60934	(004000-004499 ) Element, Air Cleaner	1
▲	3	60933	(004000-004499 ) Element, Filter Safety	1
▲	4	07562	(004000-004499 ) Nut,Wing .44-20 Special	2
	5	76321	(004000-004499 ) Band,Mtg.	2
	6	03026	(004000-004499 ) Indicator Service Air Filter	1
	7	75666	(004000-004499 ) Filter, Pre-Cleaner, A/C	1
	8	393208	(004000-004499 ) Hose, Molded	1
	9	43555	(004000-004499 ) Clamp-Wormdrive, 1.62- 3.50D	1
	10	380591	(004000-004499 ) Grommet, Rbr, 3.75ld F/ 4.0H .	1
	11	54527	(004000-004499 ) Ring, Rubber	4
	12	54528	(004000-004499 ) Bushing, Rubber	4
	13	45177	(004000-004499 ) Sleeve	4
	14	41178	(004000-004499 ) Washer, Fender	4
	15	1011780	(004000-004499 ) Tube Wldt, Tee	1
	16	15543	(004000-004499 ) Hose, Rbr, 2.00id 2.50od 03.0l	1
	17	83584	(004000-004499 ) Clamp, Hose, Wormdrive, 1.31-3.25d	1
	18	13124	(004000-004499 ) Hose, Heater, 0.62id 18.0l	1
	19	1011899	(004000-004499 ) Clamp, Hose, Spring Stl, 0.86d X 0.38w	2
	20	06944	(004000-004499 ) Screw, Hex, M6 X 1.0 X 25, 8.8	1
	21	32490	(004000-004499 ) Washer, Flat, 0.25 Std	1
	22	08708	(004000-004499 ) Nut, Hex, Lock, M6 X 1.0, NI	1

Fig. 41 - Engine Air Cleaner Group, Gas (004500- )

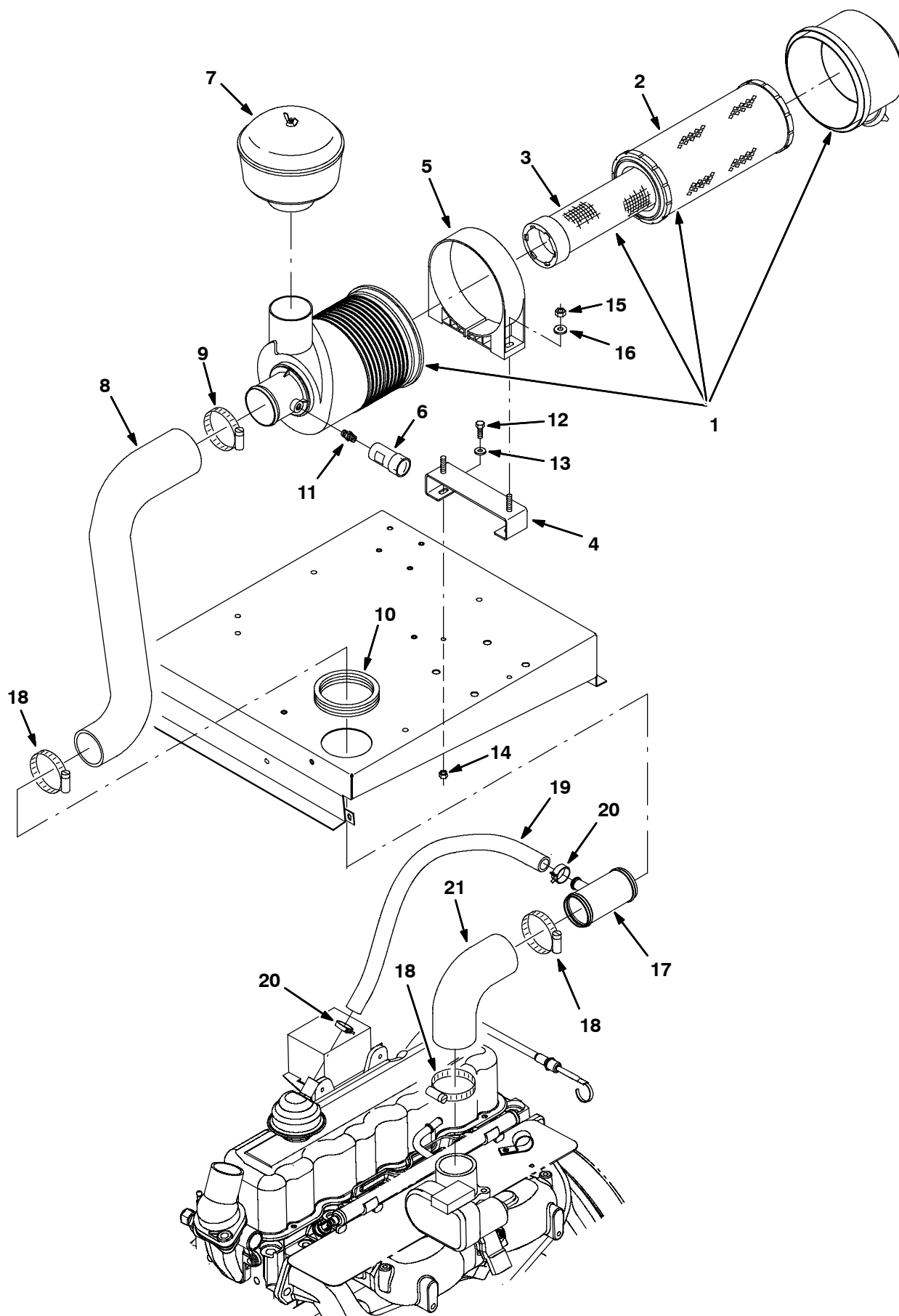




Fig. 41 - Engine Air Cleaner Group, Gas (004500- )

Ref.	Part No.	Serial Number	Description	Qty.
▽	1	1013344	(004500- ) Filter Assy, Air, 3.0 Inlet [Dn#G070070]	1
▲	2	372652	(004500- ) Element, Fltr, Air [Dn]	1
▲	3	372651	(004500- ) Element, Fltr, Air	1
	4	1012754	(004500- ) Bracket, Stand-Off, Fltr, Air	2
	5	1013366	(004500- ) Strap, Mtg, Fltr, Air, 7.17id	2
	6	03026	(004500- ) Indicator, Service, Fltr, Air [20h20 Dn]	1
	7	75666	(004500- ) Filter, Air, Pre-Cln, A/C	1
	8	393208	(004500- ) Hose, Intake, Mold, Rwk 380592	1
	9	43555	(004500- ) Clamp, Hose, Wormdrive, 2.50-3.50d, .50w	1
	10	380591	(004500- ) Grommet, Rbr, 3.25id, F/3.5h, .06 Matl	1
	11	51560-5	(004500- ) Fitting, Brs, Str, Pm02, Service	1
	12	06949	(004500- ) Screw, Hex, M6 X 1.0 X 50, 8.8	2
	13	19066	(004500- ) Washer, Flat, #10	2
	14	07791	(004500- ) Nut, Hex, Flng, M8 X 1.25	2
	15	08709	(004500- ) Nut, Hex, Lock, M8 X 1.25, NI	2
	16	32491	(004500- ) Washer, Flat, 0.31, Std	2
	17	1011780	(004500- ) Tube Wldt, Tee	1
	18	83584	(004500- ) Clamp, Hose, Wormdrive, 2.25-3.25d, .50w	3
	19	393373	(004500- ) Hose, Heater, 0.62id, 024.0l	1
	20	1011899	(004500- ) Clamp, Hose, Spring Stl, 0.86d X 0.38w	2
	21	76825	(004500- ) Hose, Rbr, E90, 2.00id 2.00id 03.5 03.5	1

**Fig. 42 - Engine Air Cleaner Group, LPG (004000-004499)**

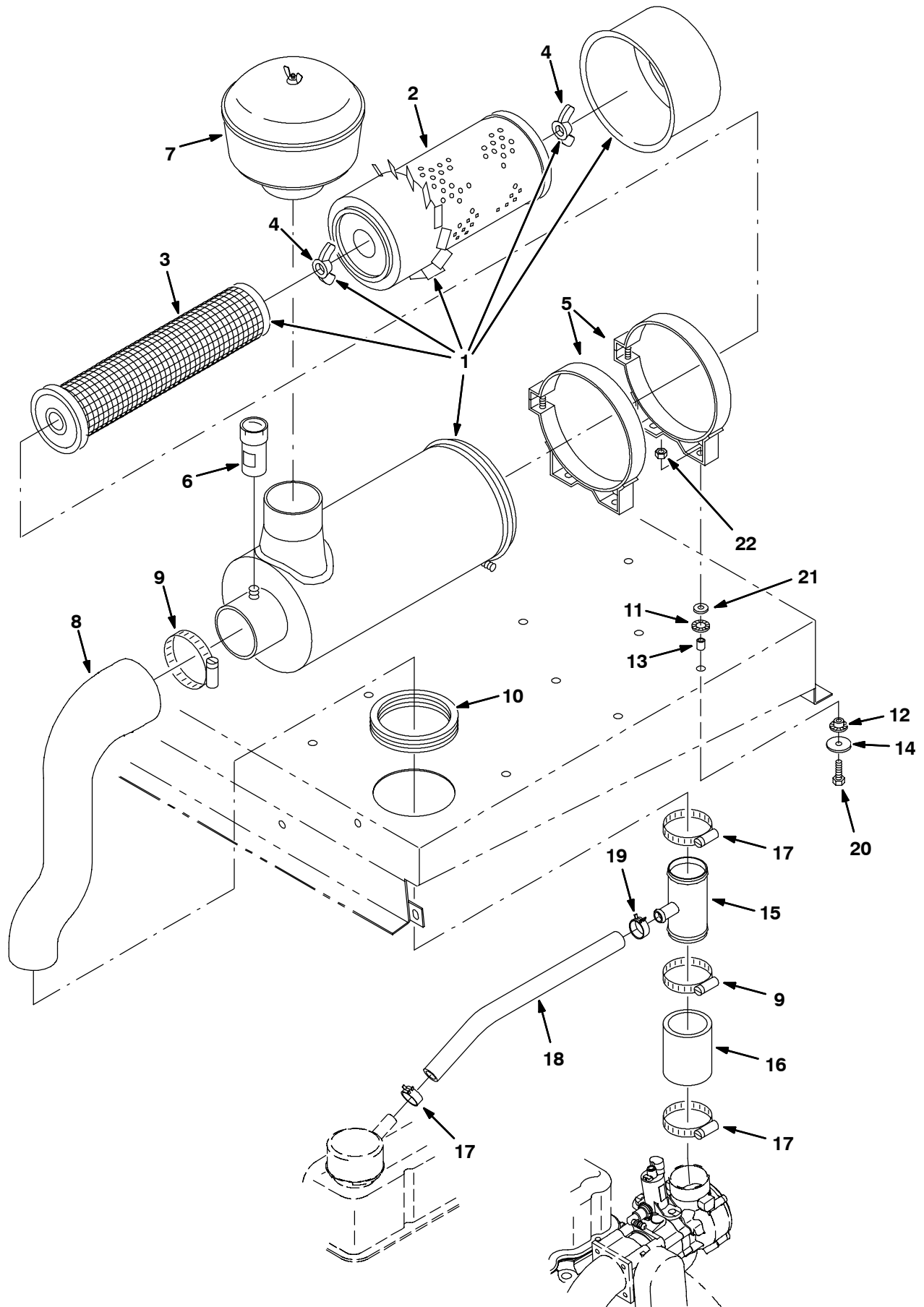


Fig. 42 - Engine Air Cleaner Group, LPG (004000-004499)

Ref.	Part No.	Serial Number	Description	Qty.
▽ 1	48014	(004000-004499 )	Cleaner, Air Al Se	1
▲ 2	60934	(004000-004499 )	Element, Air Cleaner	1
▲ 3	60933	(004000-004499 )	Element, Filter Safety	1
▲ 4	07562	(004000-004499 )	Nut,Wing .44-20 Special	2
5	76321	(004000-004499 )	Band,Mtg.	2
6	03026	(004000-004499 )	Indicator Service Air Filter	1
7	75666	(004000-004499 )	Filter, Pre-Cleaner, A/C	1
8	1011702	(004000-004499 )	Hose, Molded	1
9	43555	(004000-004499 )	Clamp-Wormdrive, 1.62- 3.50D	1
10	380591	(004000-004499 )	Grommet, Rbr, 3.75ld F/ 4.0H .	1
11	54527	(004000-004499 )	Ring, Rubber	4
12	54528	(004000-004499 )	Bushing, Rubber	4
13	45177	(004000-004499 )	Sleeve	4
14	41178	(004000-004499 )	Washer, Fender	4
15	1011780	(004000-004499 )	Tube Wldt, Tee	1
16	15543	(004000-004499 )	Hose, Rbr, 2.00id 2.50od 03.0l	1
17	83584	(004000-004499 )	Clamp, Hose, Wormdrive, 1.31-3.25d, .50w	3
18	393373	(004000-004499 )	Hose, Heater, 0.62id 24.0l	1
19	1011899	(004000-004499 )	Clamp, Hose, Spring Stl, 0.86d X 0.38w	2
20	06944	(004000-004499 )	Screw, Hex, M6 X 1.0 X 25, 8.8	1
21	32490	(004000-004499 )	Washer, Flat, 0.25 Std	1
22	08708	(004000-004499 )	Nut, Hex, Lock, M6 X 1.0, NI	1

**Fig. 43 - Engine Air Cleaner Group, LPG (004500- )**

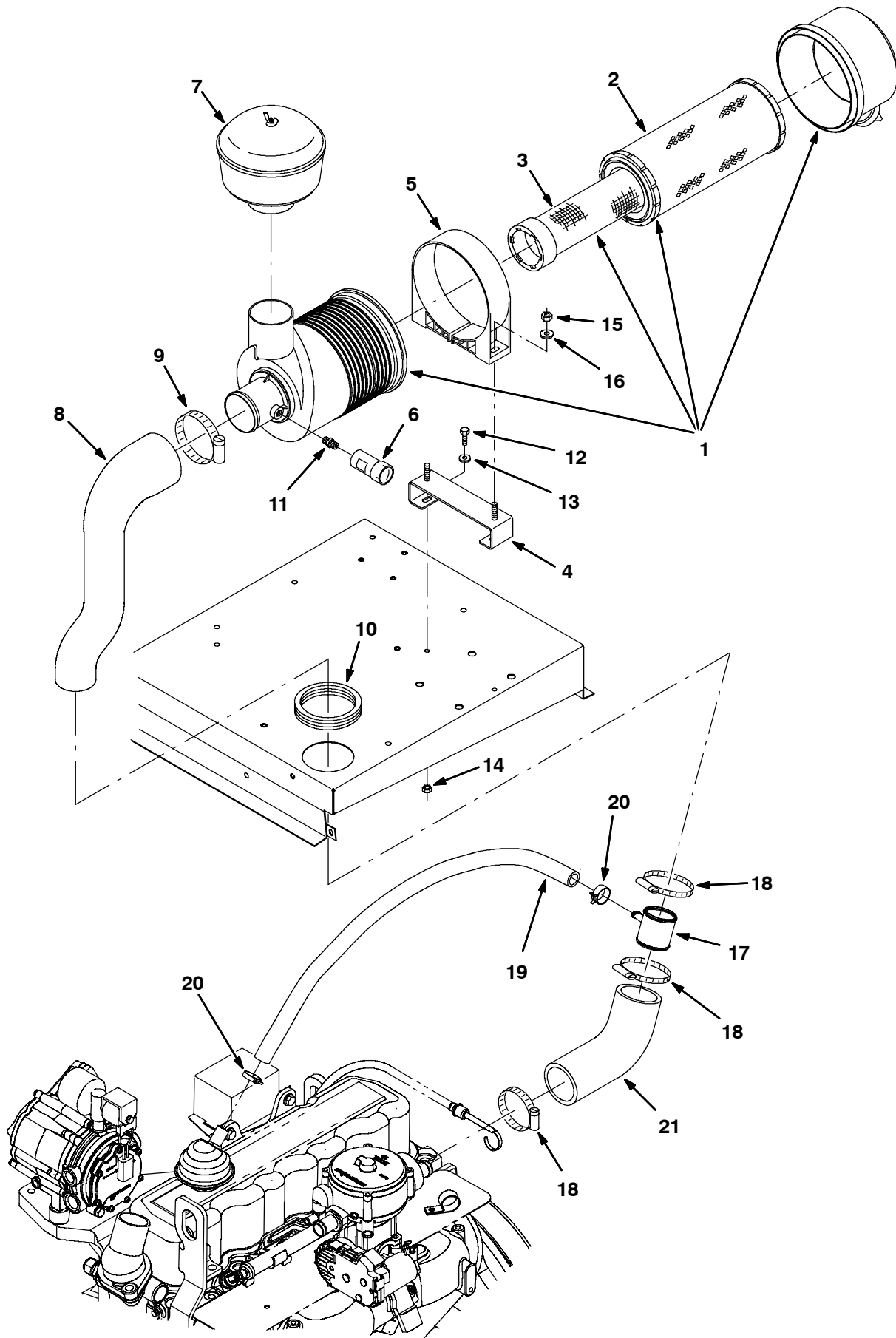


Fig. 43 - Engine Air Cleaner Group, LPG (004500- )

Ref.	Part No.	Serial Number	Description	Qty.
▽ 1	1013344	(004500-	) Filter Assy, Air, 3.0 Inlet [Dn#G070070]	1
▲ 3	372651	(004500-	) Element, Fltr, Air	1
4	1012754	(004500-	) Bracket, Stand-Off, Fltr, Air	2
5	1013366	(004500-	) Strap, Mtg, Fltr, Air, 7.17id	2
6	03026	(004500-	) Indicator, Service, Fltr, Air [20h20 Dn]	1
7	75666	(004500-	) Filter, Air, Pre-Cln, A/C	1
8	1011702	(004500-	) Hose, Intake, Mold, 3.00id 2.00id [Epdm]	1
9	43555	(004500-	) Clamp, Hose, Wormdrive, 2.50-3.50d, .50w	1
10	380591	(004500-	) Grommet, Rbr, 3.25id, F/3.5h, .06 Matl	1
11	51560-5	(004500-	) Fitting, Brs, Str, Pm02, Service	1
12	06949	(004500-	) Screw, Hex, M6 X 1.0 X 50, 8.8	2
13	19066	(004500-	) Washer, Flat, #10	2
14	07791	(004500-	) Nut, Hex, Flng, M8 X 1.25	2
15	08709	(004500-	) Nut, Hex, Lock, M8 X 1.25, NI	2
16	32491	(004500-	) Washer, Flat, 0.31, Std	2
17	1011780	(004500-	) Tube Wldt, Tee	1
18	83584	(004500-	) Clamp, Hose, Wormdrive, 2.25-3.25d, .50w	3
19	393373	(004500-	) Hose, Heater, 0.62id, 024.0l	1
20	1011899	(004500-	) Clamp, Hose, Spring Stl, 0.86d X 0.38w	2
21	1032032	(004500-	) Hose, Intake, Mold, 2.00id [Epdm]	1

**Fig. 44 - Engine Muffler Group (003000-003178)**

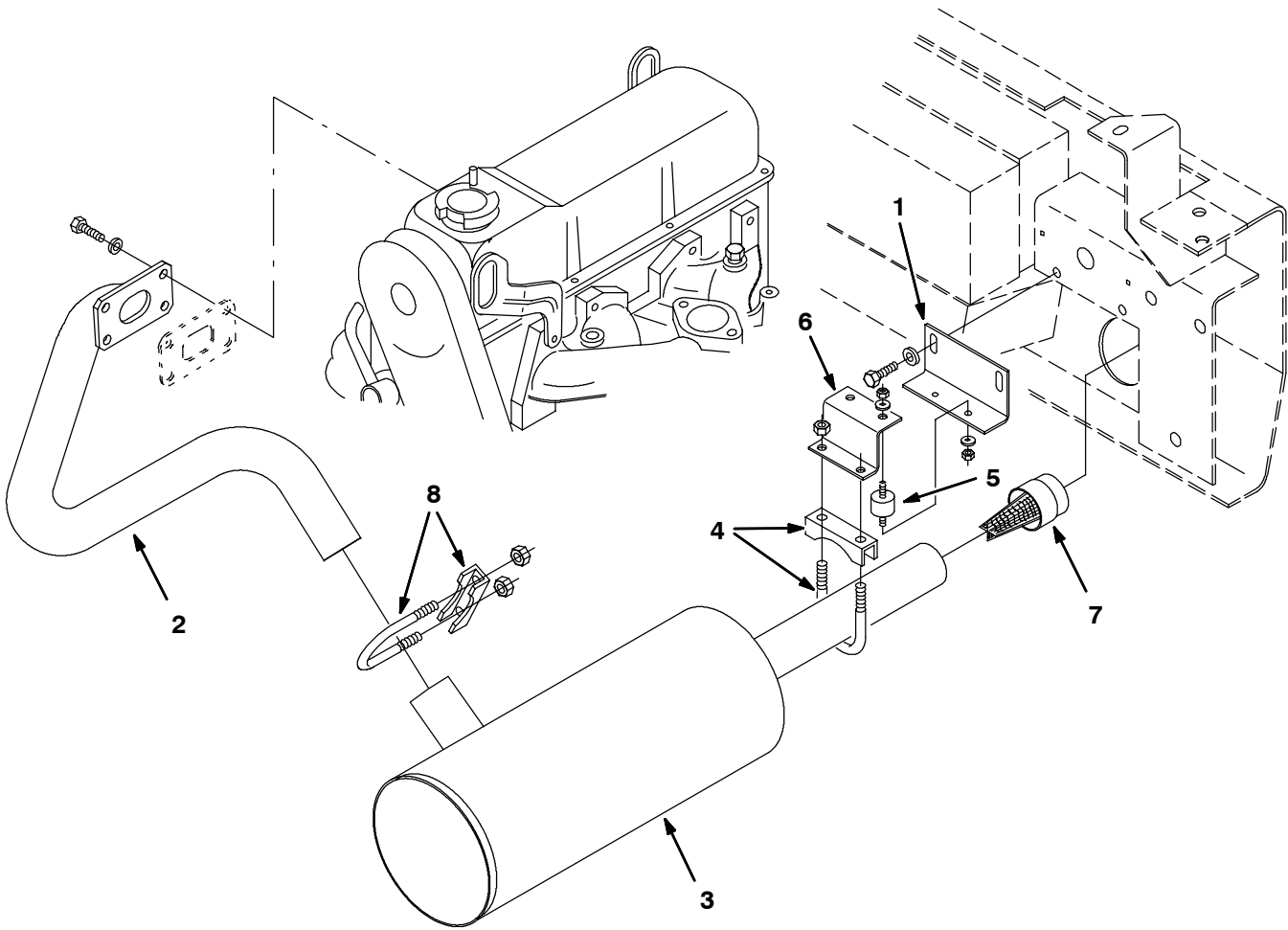


Fig. 44 - Engine Muffler Group (003000-003178)

Ref.	Part No.	Serial Number	Description	Qty.
1	21138	(003000-003178 )	Bracket, Tail Pipe	1
2	70631	(003000-003178 )	Pipe Wldt, Exhaust, Gas/Lpg	1
3	76383	(003000-003178 )	Muffler, Exhaust	1
4	05881	(003000-003178 )	Clamp-Muffler,For 2.00 Od Tube	1
5	82661	(003000-003178 )	Isolator-Vibration .25-20	2
6	21136	(003000-003178 )	Bracket, Tail Pipe	1
7	70832	(003000-003178 )	Screen, Muffler	1
8	05880	(003000-003178 )	Clamp-Muffler,For 1.87 Od Tube	1

**Fig. 45 - Engine Muffler Group, Catalytic (003179-003999)**

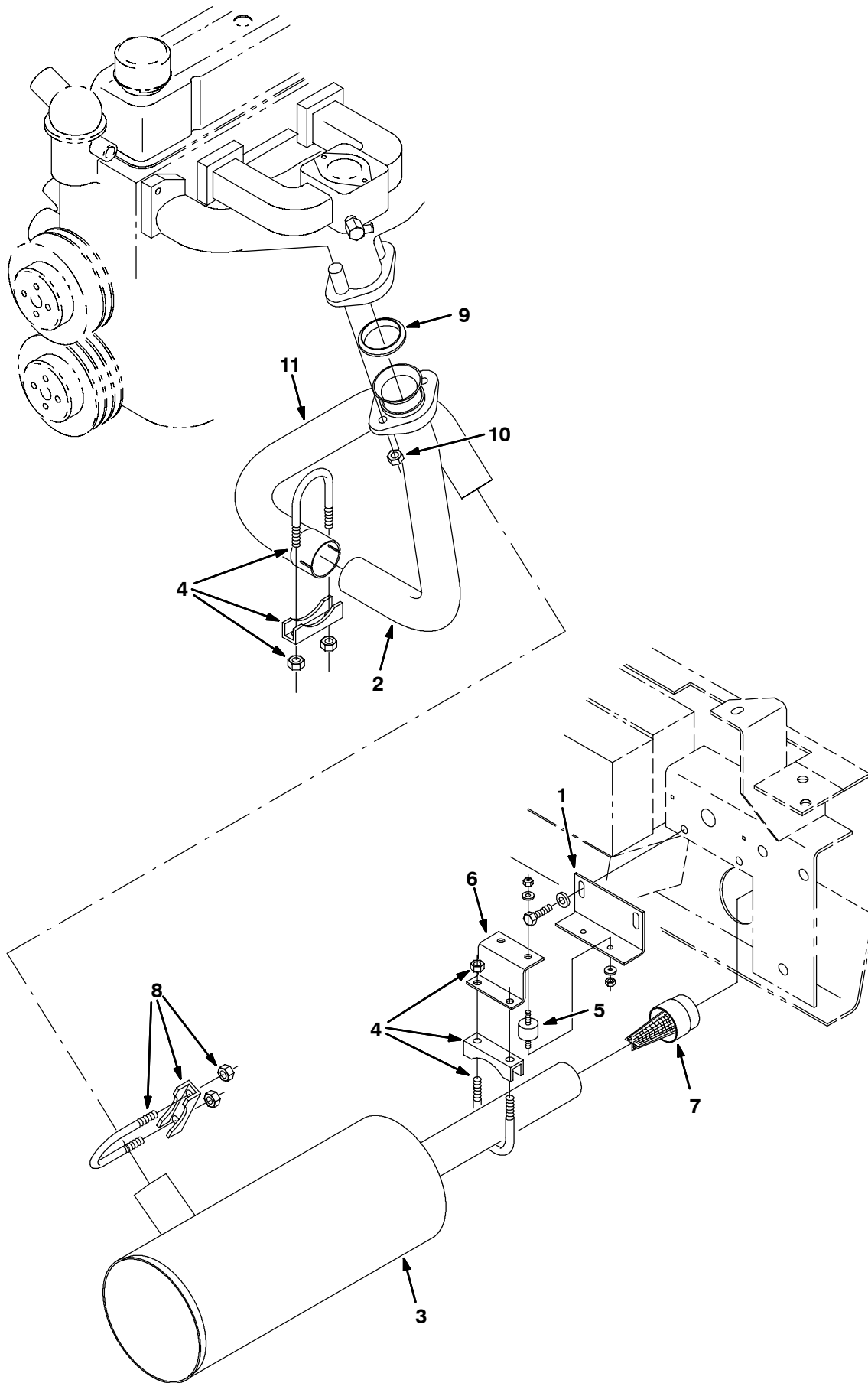




Fig. 45 - Engine Muffler Group, Catalytic (003179-003999)

Ref.	Part No.	Serial Number	Description	Qty.
1	21138	(003179-003999 )	Bracket, Tail Pipe	1
2	393253	(003179-003999 )	Tube, Exhaust, 2.0d [Gm3.0] [800/810]	1
3	76383	(003179-003999 )	Muffler, Exhaust	1
4	05881	(003179-003999 )	Clamp-Muffler,For 2.00 Od Tube	2
5	82661	(003179-003999 )	Isolator-Vibration .25-20	2
6	21136	(003179-003999 )	Bracket, Tail Pipe	1
7	70832	(003179-003999 )	Screen, Muffler	1
8	05880	(003179-003999 )	Clamp-Muffler,For 1.87 Od Tube	1
9	371573	(003179-003999 )	Gasket	1
10	25014	(003179-003999 )	Nut, Hex, Std, .38-16	2
11	393252	(003179-003999 )	Tube, Exhaust, 2.0d [Gm3.0] [800/810]	1

**Fig. 46 - Engine Muffler Group, Catalytic (004000-004499)**

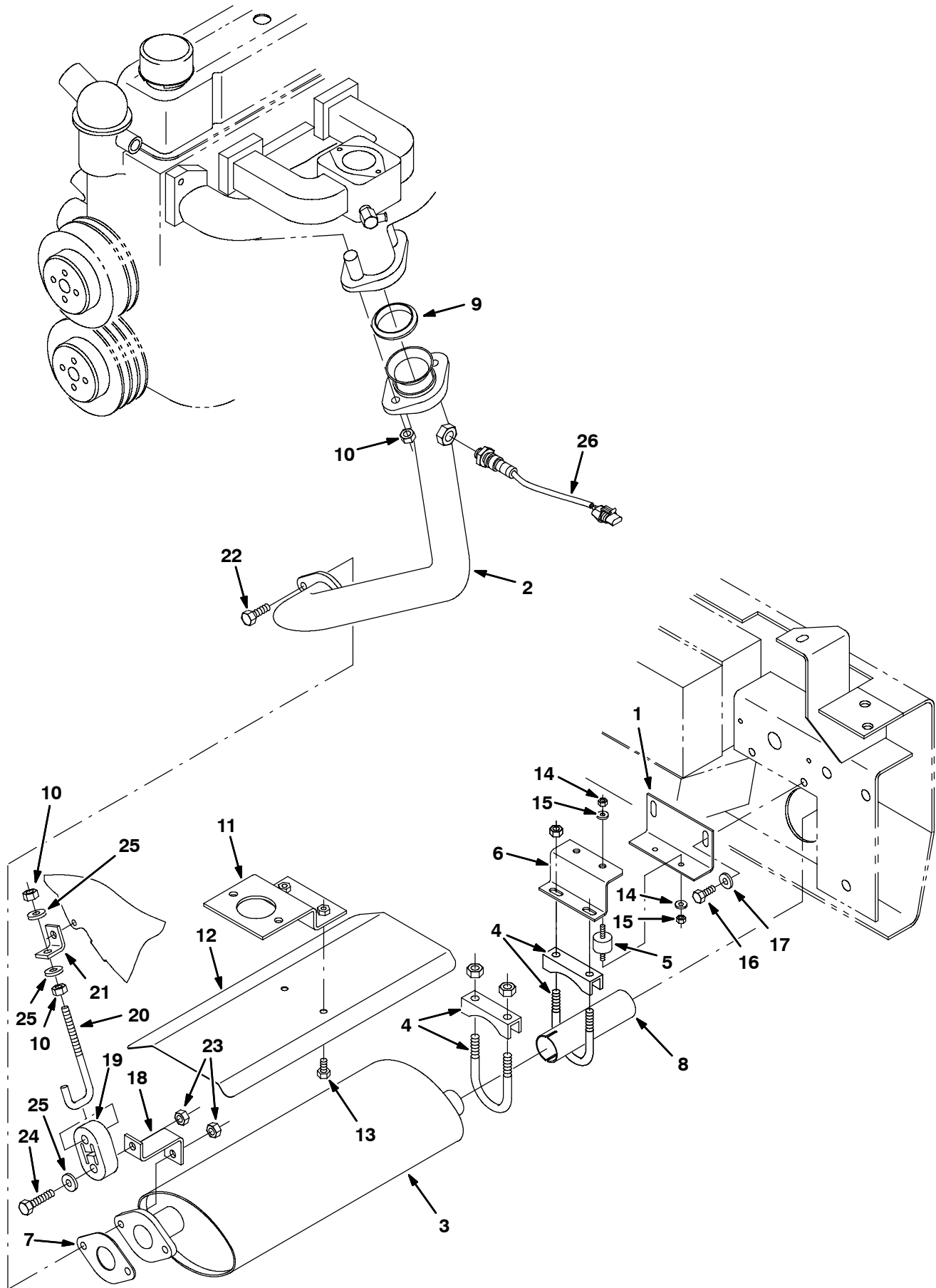


Fig. 46 - Engine Muffler Group, Catalytic (004000-004499)

Ref.	Part No.	Serial Number	Description	Qty.
1	21138	(004000-004499 )	Bracket, Tail Pipe	1
2	1011944	(004000-004499 )	Tube, Exhaust, 2.0d [Gm3.0] [800/810]	1
3	1011259	(004000-004499 )	Muffler, Catalytic [Gm 1.6/3.0]	1
4	24012	(004000-004499 )	Clamp, Muffler, 1.62d	2
5	1013588	(004000-004499 )	Isolator, Vib, Ring, 1.0d .25-20/.25-20	2
6	1012012	(004000-004499 )	Bracket, Tailpipe	1
7	1011216	(004000-004499 )	Gasket, Exhaust, 2 Hole, 3.4bc	1
8	1011959	(004000-004499 )	Tube, Exhaust, Rear	1
9	371573	(004000-004499 )	Gasket	1
10	25014	(004000-004499 )	Nut, Hex, Std, .38-16	4
11	1012990	(004000-004499 )	Bracket, Mtg, Heat Shield	1
12	1012999	(004000-004499 )	Shield, Heat	1
13	16735	(004000-004499 )	Screw, Hex, M8 X 1.25 X 16, 8.8	2
14	19312	(004000-004499 )	Nut, Hex, Std, .25-20	4
15	32982	(004000-004499 )	Washer, Lock, Int, 0.25	4
16	16931	(004000-004499 )	Screw, Hex, M8 X 1.25 X 20, 8.8	2
17	32491	(004000-004499 )	Washer, Flat, 0.31 Std	2
18	1013116	(004000-004499 )	Bracket, Isolator	1
19	1013031	(004000-004499 )	Isolator, Rubber	1
20	1013117	(004000-004499 )	Rod, Hanger, Isolator	1
21	1013113	(004000-004499 )	Bracket, Mtg, Isolator	1
22	03192	(004000-004499 )	Screw, Hex, M10 X 1.5 X 30, 8.8	2
23	08166	(004000-004499 )	Nut, Hex, Stover, M10 X 1.5	3
24	06962	(004000-004499 )	Screw, Hex, M10 X 1.5 X 45, 8.8	1
25	32492	(004000-004499 )	Washer, Flat, 0.38 Std	3
26	372491	(004000-004499 )	Sensor, Oxygen	1

**Fig. 47 - Engine Muffler Group, Catalytic (004500- )**

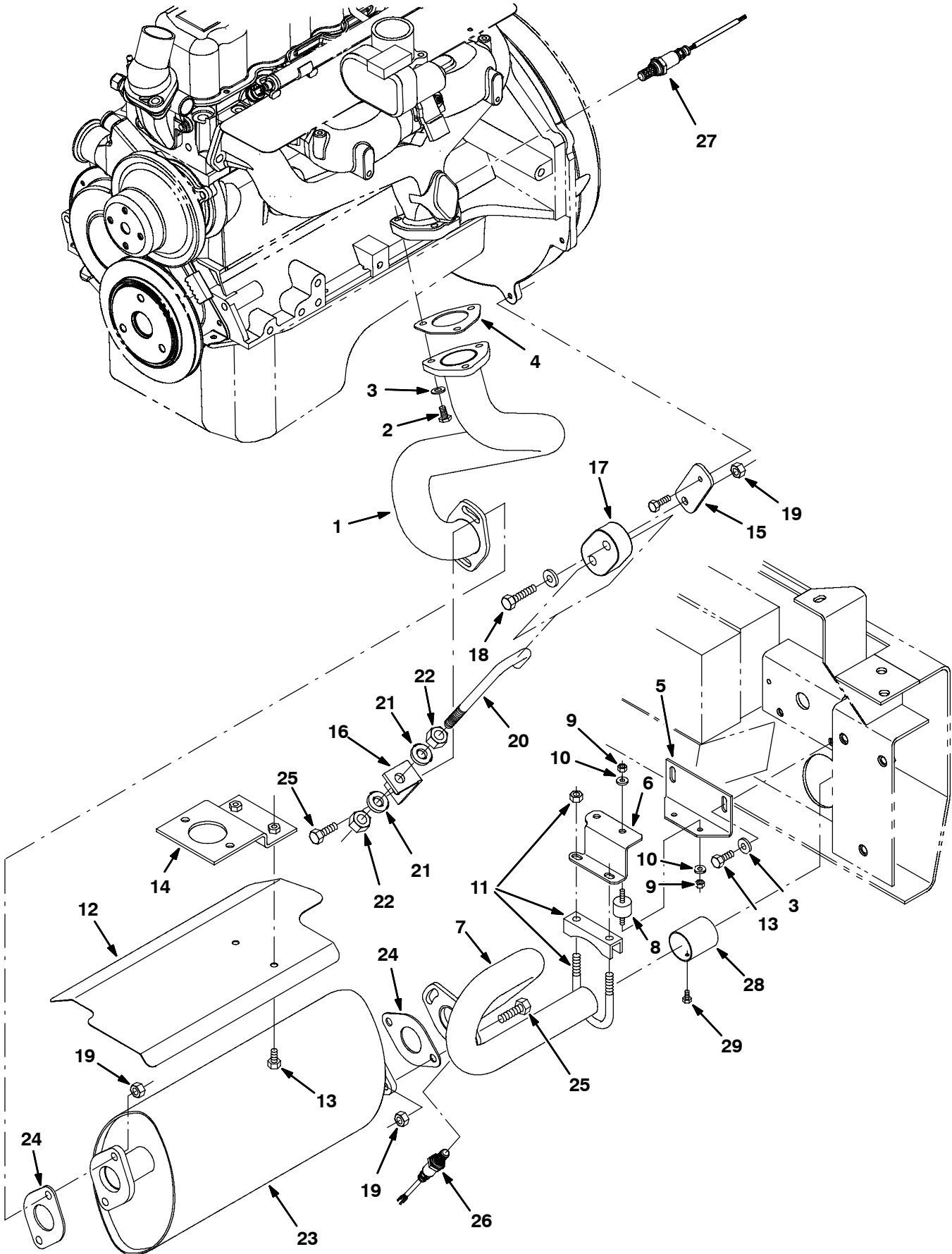


Fig. 47 - Engine Muffler Group, Catalytic (004500- )

Ref.	Part No.	Serial Number	Description	Qty.
1	1032083	(004500-	) Tube, Exhaust, Lower, [800/810, 2007]	1
2	76570	(004500-	) Screw, Hex, M8 X 1.25 X 30, 8.8	3
3	32491	(004500-	) Washer, Flat, 0.31, Std	5
4	1060286	(004500-	) Gasket, Flng, Exhaust	1
5	1030502	(004500-	) Bracket, Tailpipe [800/810 2007]	1
6	1030501	(004500-	) Bracket, Tailpipe [800/810 2007]	1
7	1029996	(004500-	) Tube, Exhaust, Rear [Gm3.0l 800/810 07]	1
8	82661	(004500-	) Isolator, Vib, Ring, 1.0d .25-20/.25-20	2
9	19312	(004500-	) Nut, Hex, Std, .25-20	4
10	32982	(004500-	) Washer, Lock, Int, 0.25	4
11	24012	(004500-	) Clamp, Muffler, 1.62d	1
12	1028836	(004500-	) Shield, Heat	1
13	16931	(004500-	) Screw, Hex, M8 X 1.25 X 20, 8.8	4
14	1028835	(004500-	) Bracket, Mtg, Heat Shield	1
15	1030122	(004500-	) Link, 0.18, 1.5w 03.6l, 1/0.4h 1/0.3h	1
16	1030134	(004500-	) Bracket, Mtg, Isolator [800/810 07]	1
17	1013031	(004500-	) Isolator, Rbr	1
18	06962	(004500-	) Screw, Hex, M10 X 1.5 X 45, 8.8	1
19	08166	(004500-	) Nut, Hex, M10 X 1.50 [Stover]	5
20	1032142	(004500-	) Rod, Hanger, Isolator	1
21	32492	(004500-	) Washer, Flat, 0.38, Std	2
22	25014	(004500-	) Nut, Hex, Std, .38-16	2
23	1030533	(004500-	) Muffler, Catalytic [Gm 3.0l 2007]	1
24	1011216	(004500-	) Gasket, Exhaust, 2hole, 3.4bc	2
25	39284	(004500-	) Screw, Hex, M10 X 1.5 X 35, 8.8	4
26	1028558	(004500-	) Sensor, Exhaust, Tailpipe	1
27	1028559	(004500-	) Sensor, Oxygen [Gm 1.6l/3.0l 2007]	1
28	1038293	(004500-	) Tube, Tailpipe	1
29	01706	(004500-	) Screw, Hex, #08-32 X 0.38, Tcut	1

**Fig. 48 - Engine Fuel Tank Group, Gas (003000-003178)**

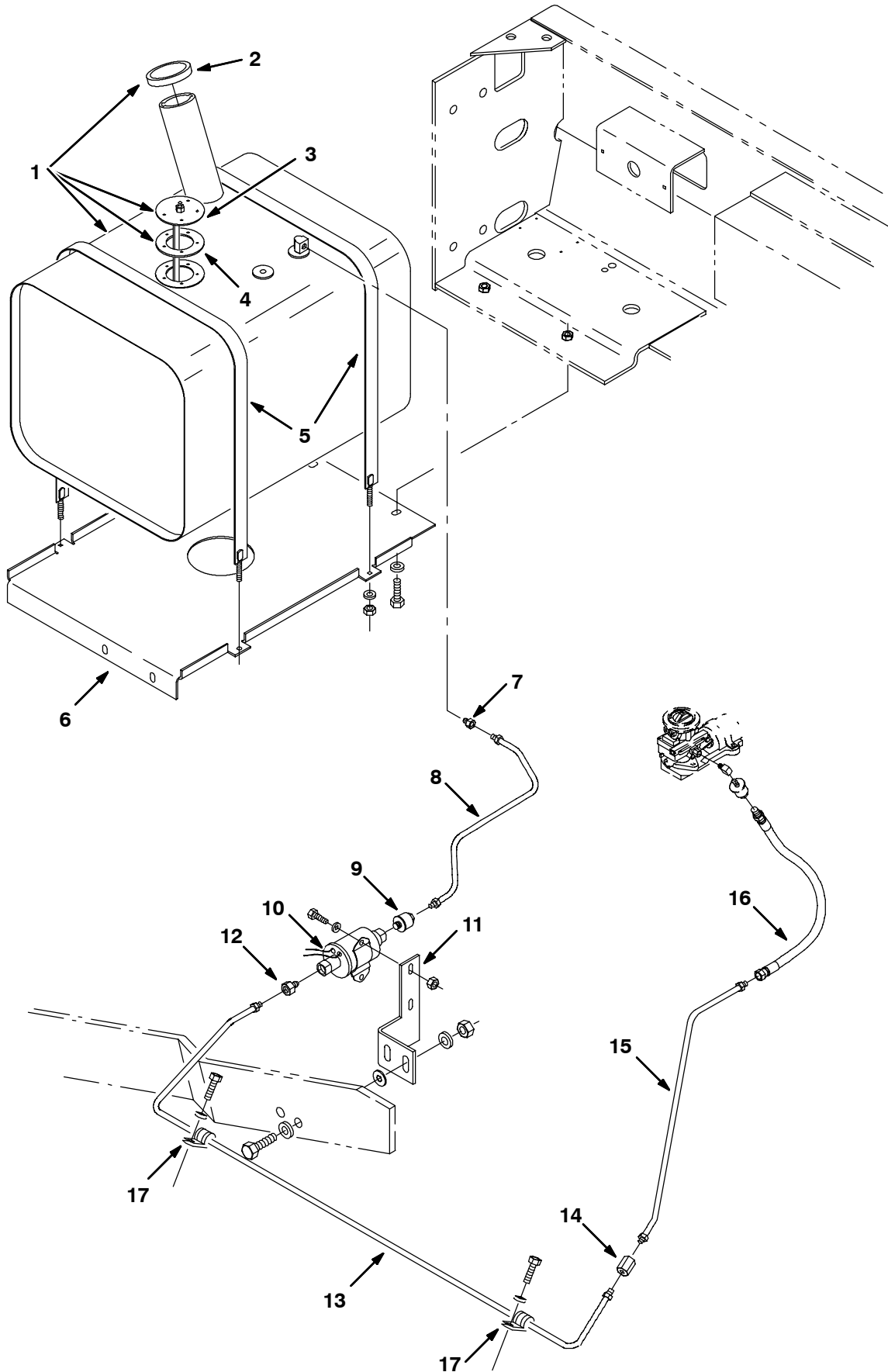


Fig. 48 - Engine Fuel Tank Group, Gas (003000-003178)

	Ref.	Part No.	Serial Number	Description	Qty.
▽	1	76907	(003000-003178 )	Tank, Fuel	1
▲	2	48267	(003000-003178 )	Cap, Fuel	1
▲	3	21731	(003000-003178 )	Send Unit	1
▲	4	21732	(003000-003178 )	Gasket, 2.7D 1.5B.12T 5/ 2.1Bc	1
	5	87396	(003000-003178 )	Strap Weldmt, Gas Tank	2
	6	70477	(003000-003178 )	Plate, Mounting, Tank, Gas	1
	7	78043	(003000-003178 )	Fitting-Brs Str	1
	8	77558	(003000-003178 )	Fuelline, .312 Od	1
	9	36050	(003000-003178 )	Filter, Fuel	1
	10	59015	(003000-003178 )	Pump, Fuel	1
	11	75854	(003000-003178 )	Bracket, Pump, Fuel	1
	12	40585	(003000-003178 )	Ftg-Brs Str If05/Pm02	1
	13	83644	(003000-003178 )	Fuelline, .312 Od	1
	14	25610	(003000-003178 )	Ftg-Brs If05/If05	1
	15	83643	(003000-003178 )	Tube Assy, Fuel .31Od	1
	16	70173	(003000-003178 )	Hose, Fuelline, 10.0L	1
	17	76736	(003000-003178 )	Clamp-Cable, 0.38Dia 0.62Wth	2

**Fig. 49 - Engine Fuel Tank Group, Gas (003179-003999)**

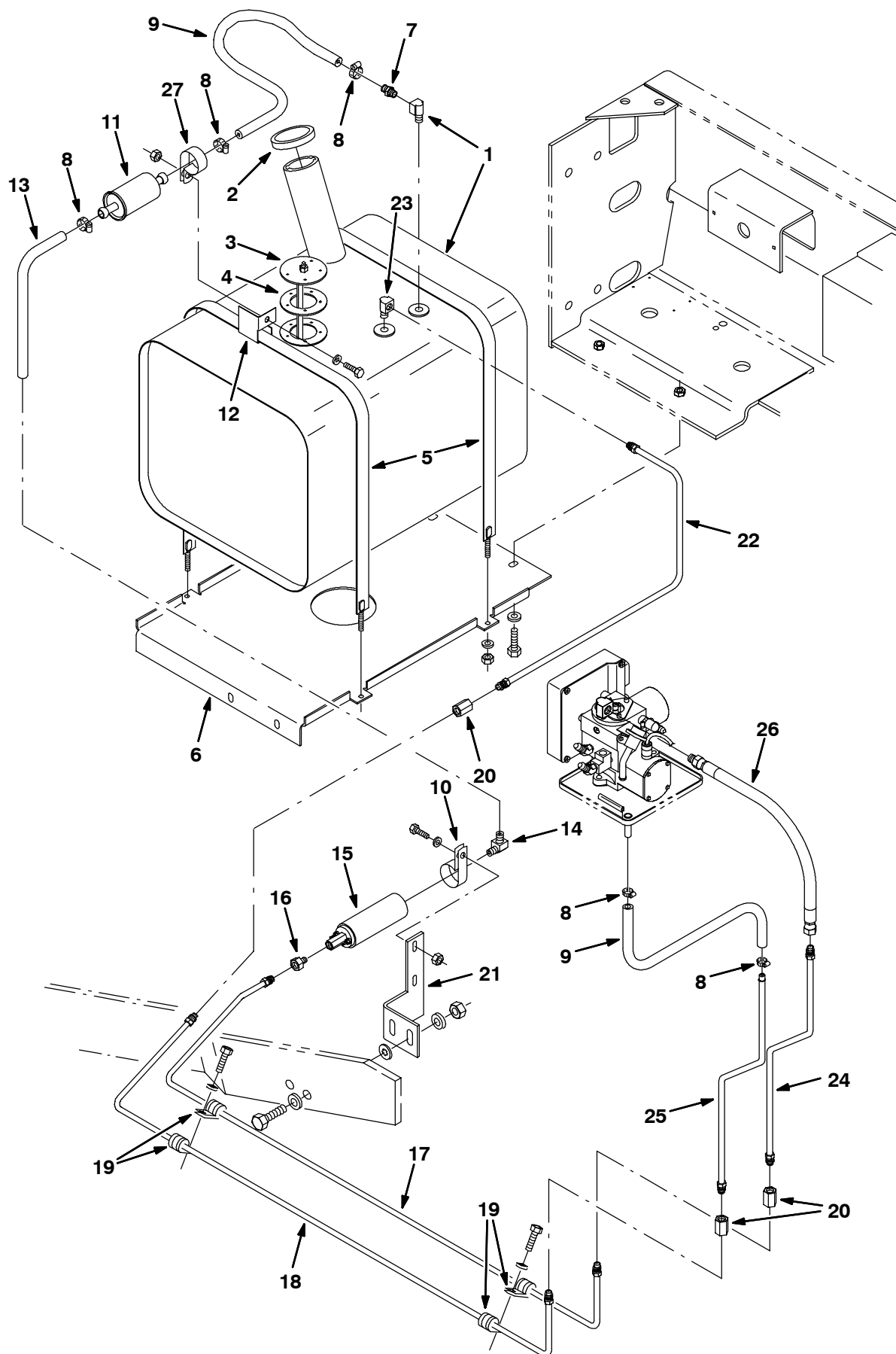




Fig. 49 - Engine Fuel Tank Group, Gas (003179-003999)

Ref.	Part No.	Serial Number	Description	Qty.
▽	1	76907	(003179-003999 ) Tank, Fuel, 14 Gas 14.7 13.0 19.0l	1
▲	2	48267	(003179-003999 ) Cap, Tank, Fuel, 2.3neck 2.6d	1
▲	3	21731	(003179-003999 ) Send-Unit	1
▲	4	21732	(003179-003999 ) Gasket, Send-Unit	1
	5	87396	(003179-003999 ) Strap Wldt, Tank, .06th X 1.0w, 37.7l	2
	6	70477	(003179-003999 ) Plate, Mtg, Tank, Gas	1
	7	392629	(003179-003999 ) Fitting, Brs, Str, Bm05/Pm04	1
	8	43844	(003179-003999 ) Clamp, Hose, Wormdrive, 0.25-0.62d	5
	9	82509	(003179-003999 ) Hose, Fuel, 0.31id 11.0l	2
	10	86328	(003179-003999 ) Clamp, Cable, Stl, 1.50d X 0.75w, 1h	1
	11	371662	(003179-003999 ) Filter, Fuel	1
	12	70767	(003179-003999 ) Bracket, Mtg, Fuelline	1
	13	82510	(003179-003999 ) Hose, Fuel, 0.31id 14.0l	1
	14	53029	(003179-003999 ) Fitting, Brs, E90, Em05/Pm02	1
	15	371661	(003179-003999 ) Pump, Fuel, Gas	1
	16	40585	(003179-003999 ) Fitting, Brs, Str, lf05/Pm02	1
	17	392594	(003179-003999 ) Fuelline, .31d 05if/05if	2
	18	392593	(003179-003999 ) Fuelline, .31d 05if/05f	1
	19	76736	(003179-003999 ) Clamp, Cable, Stl, 0.38d X 0.62w, 1h	4
	20	25610	(003179-003999 ) Fitting, Brs, Str, lf05/lf05	3
	21	75854	(003179-003999 ) Bracket, Pump, Fuel	1
	22	392597	(003179-003999 ) Fuelline, .31d 05if/05if	1
	23	15555-1	(003179-003999 ) Fitting, Brs, E90, lf05/Pm02	1
	24	393200	(003179-003999 ) Fuelline, .31d 05if/05if	1
	25	392649	(003179-003999 ) Fuelline, .31d 05if/Bea	1
	26	70173	(003179-003999 ) Hose, 0050, 04, lm05str /lf05str , 10.0	1
	27	41016	(003179-003999 ) Clamp, Cable, Stl, 2.25d X 1.0w, 1h	1

# STANDARD PARTS

Fig. 50 - Engine Fuel Tank Group, Gas (004000-004499)

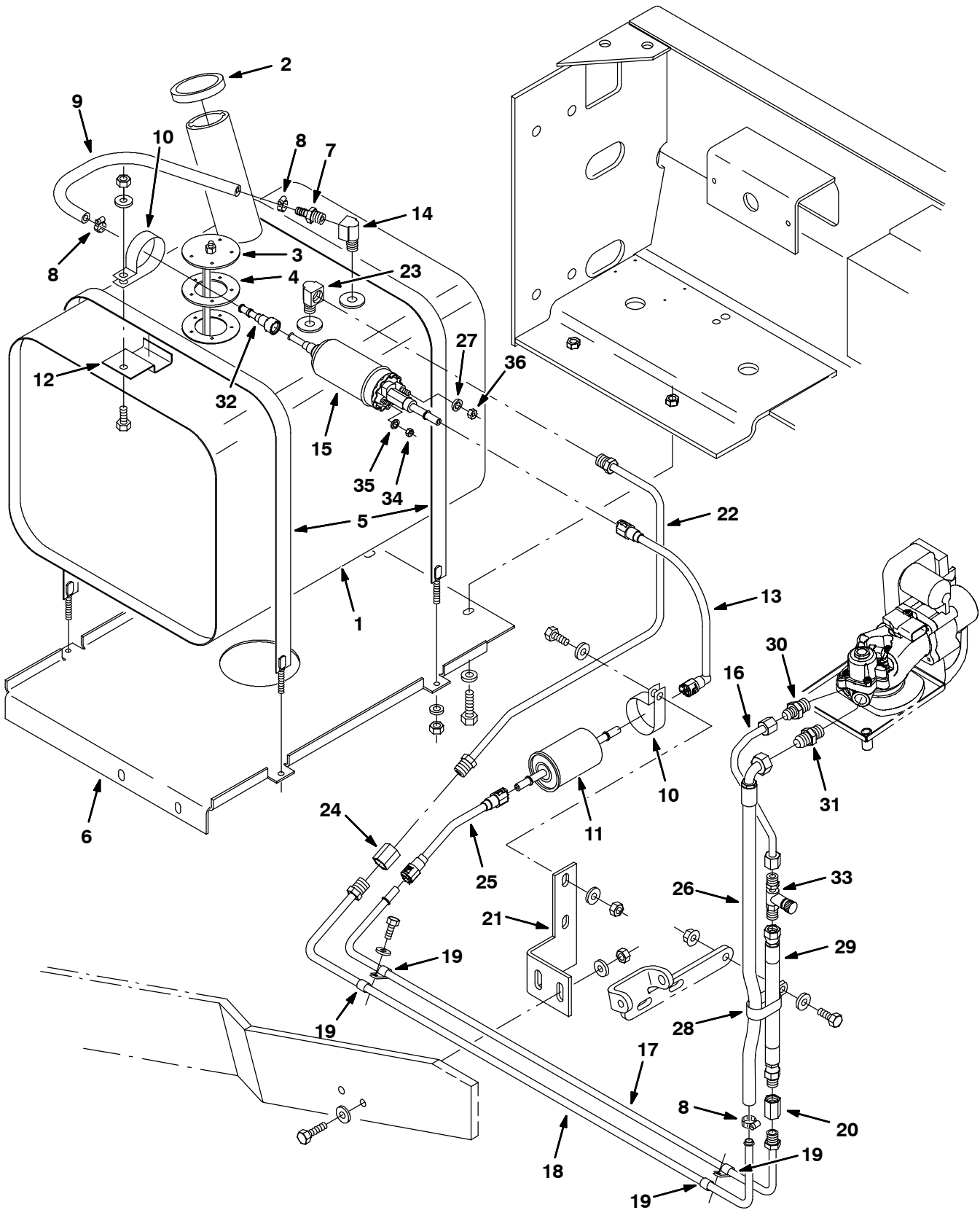


Fig. 50 - Engine Fuel Tank Group, Gas (004000-004499)

Ref.	Part No.	Serial Number	Description	Qty.
▽	1	1012110	(004000-004499 ) Tank, Fuel, 14 Gas 14.7 13.0 19.0	1
▲	2	48267	(004000-004499 ) Cap, Tank, Fuel, 2.3neck 2.6d	1
▲	3	21731	(004000-004499 ) Send-Unit, Fuel, Ohm	1
▲	4	21732	(004000-004499 ) Gasket, Sender, Fuel	1
	5	87396	(004000-004499 ) Strap Wldt, Tank, .06th X 1.0w, 37.7l	2
	6	70477	(004000-004499 ) Plate, Mtg, Tank, Gas	1
	7	392629	(004000-004499 ) Fitting, Brs, Str, Pm04/Bm05	1
	8	43844	(004000-004499 ) Clamp, Hose, Wormdrive, 0.25-0.62d	3
	9	83591	(004000-004499 ) Hose, Fuel, 0.31id 16.0l	1
	10	1011895	(004000-004499 ) Clamp, Cable, Stl, 2.00d X 0.75w, 1h	2
	11	372440	(004000-004499 ) Fuel, Fltr [Gm 1.6l/3.0l]	1
	12	1008988	(004000-004499 ) Bracket, Fltr, Fuel	1
	13	1012250	(004000-004499 ) Fuelline, .31d Str/E90, Plstc	1
	14	27048	(004000-004499 ) Fitting, Brs, E90, Pm04/Pf04	1
	15	9006592	(004000-004499 ) Pump, Fuel	1
	16	1012469	(004000-004499 ) Fuelline, .31d 05if/05jf Stl	1
	17	1011943	(004000-004499 ) Fuelline, .31d 05if/Qm Stl	2
	18	1011942	(004000-004499 ) Fuelline, .38d 06if/Bea Stl	1
	19	76736	(004000-004499 ) Clamp, Cable, Stl, 0.38d X 0.62w, 1h	4
	20	25610	(004000-004499 ) Fitting, Brs, Str, lf05/lf05	1
	21	1012018	(004000-004499 ) Bracket, Pump, Fuel	1
	22	1011941	(004000-004499 ) Fuelline, .38d 06if/06if Stl	1
	23	54140	(004000-004499 ) Fitting, Brs, E90, lf06/Pm04	1
	24	392598	(004000-004499 ) Fitting, Brs, Str, lf06/lf06	1
	25	1012248	(004000-004499 ) Fuelline, .31d Str/Str, Plstc	1
	26	1013030	(004000-004499 ) Hose, Fuel, Jf06e90, 20.3l	1
	27	32980	(004000-004499 ) Washer, Lock, Int, #10	1
	28	09570	(004000-004499 ) Clamp, Cable, Stl, 0.9x1.8x0.62w, 1h	1
	29	70173	(004000-004499 ) Hose, 0050, 04, lm05str /lf05str , 10.0	1
	30	1012677	(004000-004499 ) Fitting, Hyd, Str, Jm05/Om06	1
	31	56690	(004000-004499 ) Fitting, Hyd, Str, Jm06/Om06	1
	32	1013086	(004000-004499 ) Connector, Fuel, Qf	1
	33	1014595	(004000-004499 ) Adaptor, Fuelline	1
	34	42368	(004000-004499 ) Nut, Hex, Std, M4 X 0.7, 8	1
	35	32978	(004000-004499 ) Washer, Lock, Int, #08	1
	36	50335	(004000-004499 ) Nut, Hex, Std, M5 X 0.8, 8	1



Fig. 51 - Engine Fuel Tank Group, Gas (004500- )

Ref.	Part No.	Serial Number	Description	Qty.
▽	1	1029502	(004500- ) Tank, Fuel, 14.0gal, 14.66w 13.0hi 19.0l	1
▲	2	1033897	(004500- ) Gasket, Sender, Fuel	1
▲	3	1033899	(004500- ) Send-Unit, Fuel [800/810 2007]	1
▲	4	1032812	(004500- ) Cap, Fuel, Tank	1
	5	1033746	(004500- ) Hose, Fuel, 0.31id [Evap Emission 07]	2
	6	70477	(004500- ) Plate, Mtg, Tank, Gas	1
	7	16931	(004500- ) Screw, Hex, M8 X 1.25 X 20, 8.8	4
	8	32491	(004500- ) Washer, Flat, 0.31, Std	6
	9	87396	(004500- ) Strap Wldt, Tank, 0.06 1.0w 37.7l	2
	10	32483	(004500- ) Washer, Flat, 0.25, Sae	4
	11	32981	(004500- ) Nut, Hex, Lock, .25-20, NI	4
	12	1030485	(004500- ) Fuelline, .31d E90, 05/06, Plstc	1
	13	1013509	(004500- ) Fuelline, .31d Str/Str, Plstc [8200]	1
	14	1034676	(004500- ) Fuelline, .31d Str/Str,Plstc[M20/T20 07]	1
	15	1011895	(004500- ) Clamp, Cable, Stl, 2.00d X 0.75w, 1hole	1
	16	16931	(004500- ) Screw, Hex, M8 X 1.25 X 20, 8.8	1
	17	392629	(004500- ) Fitting, Brs, Str, Bm05/Pm04	2
	18	06949	(004500- ) Screw, Hex, M6 X 1.0 X 50, 8.8	2
	19	32490	(004500- ) Washer, Flat, 0.25, Std	2
	20	9000355	(004500- ) Fitting, Brs, E90, Em05/Pm04	2
	21	1019939	(004500- ) Connector, Fuel, E90, Qf	1
	22	43844	(004500- ) Clamp, Hose, Wormdrive, 0.25-0.62d, .31w	4
	23	372440	(004500- ) Filter, Fuel [Gm 1.6l/3.0l]	1
	24	9006592	(004500- ) Pump, Fuel	1
	25	1028924	(004500- ) Manifold, Gas, Relief, Valve	1
	26	1029293	(004500- ) Fitting, Fuel, Str, 0.56-18 [07 Eng]	2
	27	1029295	(004500- ) Fitting, Fuel, Str, 0.38-24 [07 Eng]	1
	28	32980	(004500- ) Washer, Lock, Int, #10	1
	29	42368	(004500- ) Nut, Hex, Std, M4 X 0.70, 8	1
	30	32978	(004500- ) Washer, Lock, Int, #08	1
	31	50335	(004500- ) Nut, Hex, Std, M5 X 0.80, 8	1
	32	385009	(004500- ) Harness, Eng	1

# STANDARD PARTS

Fig. 52 - Engine Fuel Tank Group, LPG (003000-003178)

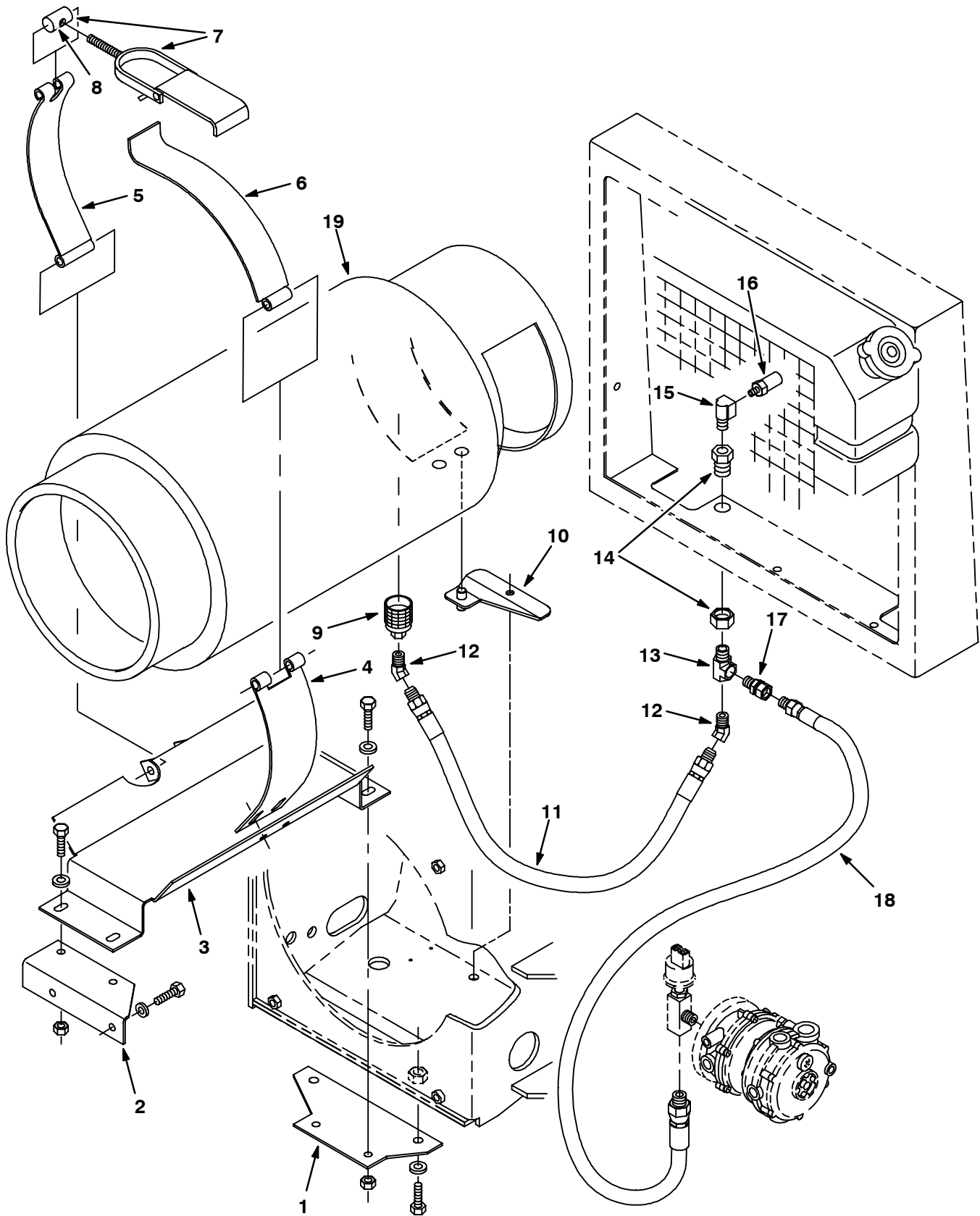


Fig. 52 - Engine Fuel Tank Group, LPG (003000-003178)

Ref.	Part No.	Serial Number	Description	Qty.	
1	70718	(003000-003178 )	Plate, Mtg	1	
2	70719	(003000-003178 )	Angle, Mtg	1	
3	70435	(003000-003178 )	Bracket Wldt, Tank, Lpg	1	
4	58589	(003000-003178 )	Strap, Mtg.- Lp Tank	1	
5	58590	(003000-003178 )	Strap, Tank Retainer - Lp	1	
6	57297	(003000-003178 )	Strap, Hinge - Lp Tank Mtg	1	
▽	7	53400-1	(003000-003178 )	Latch Assy, Lpg Tank Mtg,W/Nut	1
▲	8	53400-4	(003000-003178 )	Nut, Adjustable, Lpg Tank Mtg	1
9	26496	(003000-003178 )	Coupling,Quickdisc, Lpg, Shwd	1	
10	74089	(003000-003178 )	Plate Wldt.	1	
11	22308-3	(003000-003178 )	Hose, Lpg, 4Lpg X 35.0Lg	1	
12	47720	(003000-003178 )	Ftg-Hyd E45 Pm04/Pf04	2	
13	56976A	(003000-003178 )	Ftg-Tee Npt 04Pm- 04Pf- 04Pf	1	
14	78122	(003000-003178 )	Ftg,Bulkhead .25Npt Wh W21204	1	
15	27048	(003000-003178 )	Ftg-El90 Npt/Npt 04Pf/04Pm	1	
16	24047	(003000-003178 )	Valve, Press Relief, Lpg Rego	1	
17	11442-23	(003000-003178 )	Ftg-Str Npt/Npt S04Pf-04Pm	1	
18	374158	(003000-003178 )	Hose, Lpg, 4Lpg X 40.0Lg	1	
19	24928-1	(003000-003178 )	Tank-Lp, 33#,Liq,Both,Fill Ga	1	

# STANDARD PARTS

Fig. 53 - Engine Fuel Tank Group, LPG (003179-003999)

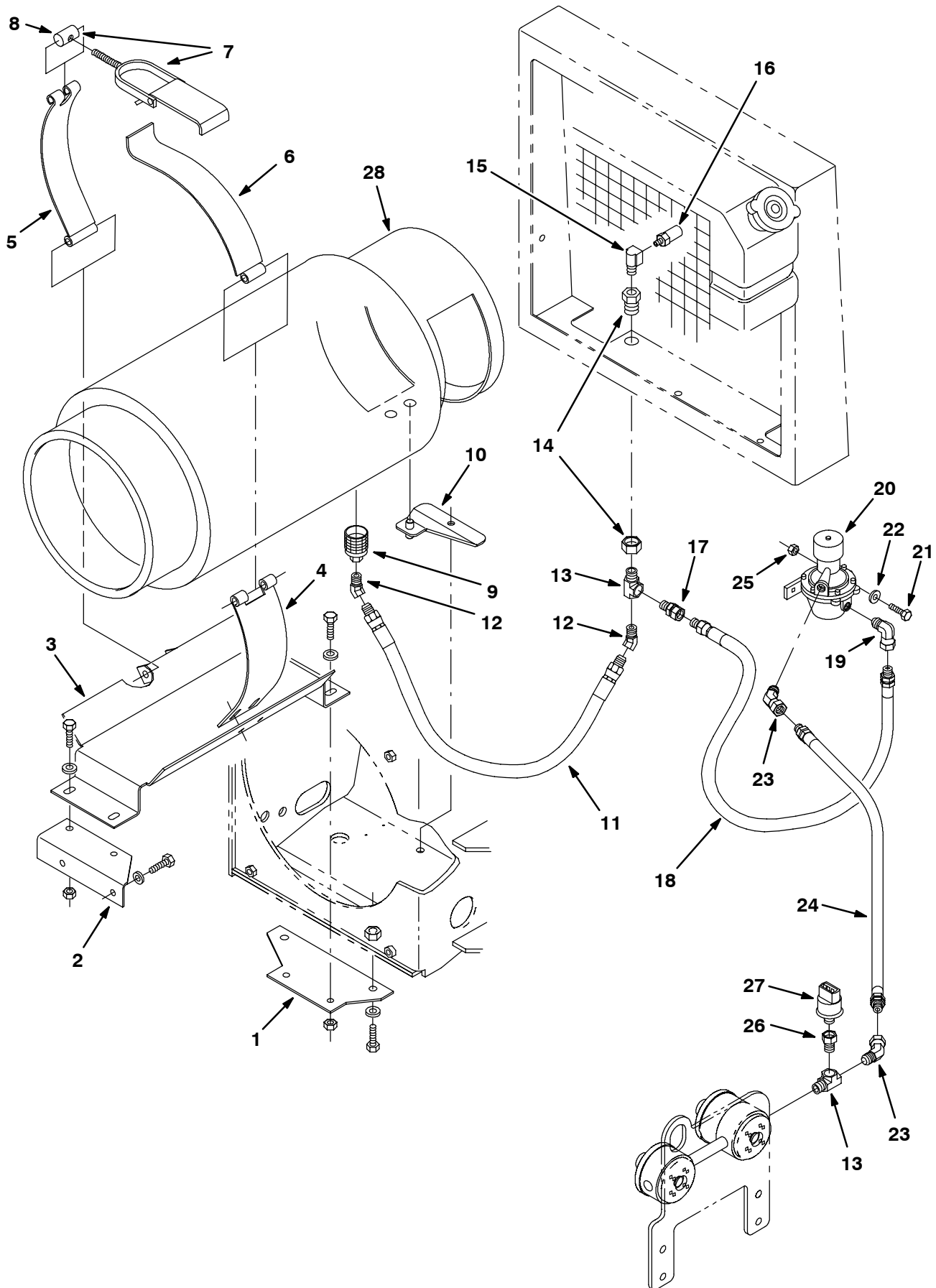




Fig. 53 - Engine Fuel Tank Group, LPG (003179-003999)

Ref.	Part No.	Serial Number	Description	Qty.	
1	70718	(003179-003999 )	Plate, Mtg	1	
2	70719	(003179-003999 )	Angle, Mtg	1	
3	70435	(003179-003999 )	Bracket Wldt, Tank, Lpg	1	
4	58589	(003179-003999 )	Strap, Mtg.- Lp Tank	1	
5	58590	(003179-003999 )	Strap, Tank Retainer - Lp	1	
6	57297	(003179-003999 )	Strap, Hinge - Lp Tank Mtg	1	
▽	7	53400-1	(003179-003999 )	Latch Assy, Lpg Tank Mtg,W/Nut	1
▲	8	53400-4	(003179-003999 )	Nut, Adjustable, Lpg Tank Mtg	1
9	26496	(003179-003999 )	Coupling,Quickdisc, Lpg, Shwd	1	
10	74089	(003179-003999 )	Plate Wldt.	1	
11	22308-3	(003179-003999 )	Hose, Lpg, 4Lpg X 35.0Lg	1	
12	47720	(003179-003999 )	Ftg-Hyd E45 Pm04/Pf04	2	
13	56976A	(003179-003999 )	Ftg-Tee Npt 04Pm- 04Pf- 04Pf	2	
14	78122	(003179-003999 )	Ftg,Bulkhead .25Npt Wh W21204	1	
15	27048	(003179-003999 )	Ftg-El90 Npt/Npt 04Pf/04Pm	1	
16	24047	(003179-003999 )	Valve, Press Relief, Lpg Rego	1	
17	11442-23	(003179-003999 )	Ftg-Str Npt/Npt S04Pf-04Pm	1	
18	22324	(003179-003999 )	Hose, Lpg, Med05, Pm04str/Sm04str, 31.0l	1	
19	11442-1	(003179-003999 )	Fitting, Hyd, E90, Swivel Pf04/Pm04	1	
▽	20	53395-2	(003179-003999 )	Filter, Fuelock, [Ballwin#4-2384b]	1
▲	48282	(003179-003999 )	Kit, Repair, Fuelock, Mv 310-6	1	
21	12316	(003179-003999 )	Screw, Hex, M05 X 0.8 X 25, Ss	2	
22	386063	(003179-003999 )	Washer, 0.25b 1.12d .12, Ss	2	
23	47720	(003179-003999 )	Fitting, Hyd, E45, Pm04/Pf04	2	
24	62865	(003179-003999 )	Hose, Lpg, Med05, Pm04str/Sm04str, 67.0l	1	
25	50335	(003179-003999 )	Nut, Hex, Std, M05 X 0.8	2	
26	17414	(003179-003999 )	Fitting, Pipe, Str, Pm04/Pf02	1	
27	23156	(003179-003999 )	Switch, Press, 12vdc 08a Spst Nc 0070psi	1	
28	24928-1	(003179-003999 )	Tank-Lp, 33#,Liq,Both,Fill Ga	1	

# STANDARD PARTS

Fig. 54 - Engine Fuel Tank Group, LPG (004000-004499)

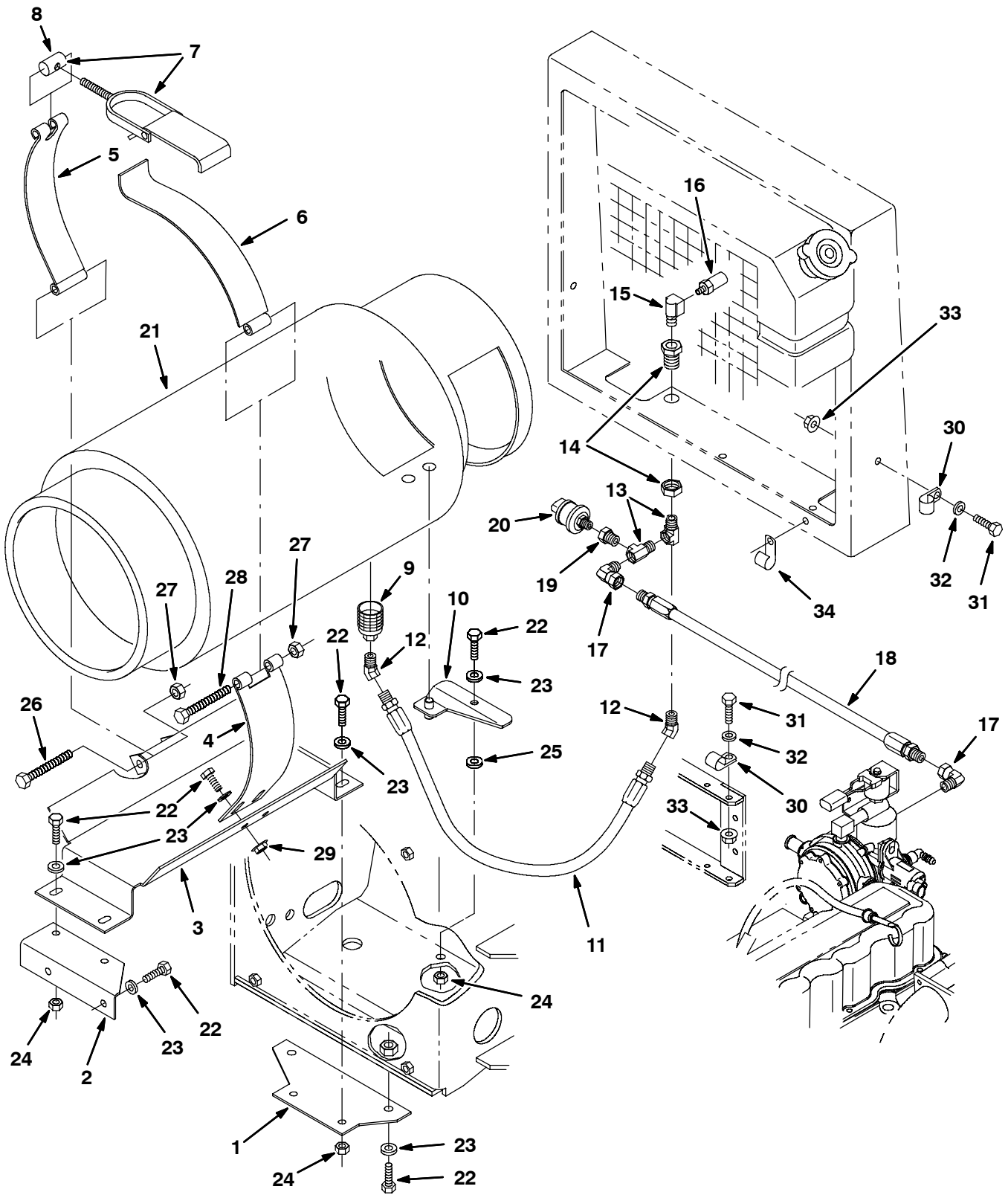


Fig. 54 - Engine Fuel Tank Group, LPG (004000-004499)

Ref.	Part No.	Serial Number	Description	Qty.	
1	70718	(004000-004499 )	Plate, Mtg	1	
2	70719	(004000-004499 )	Angle, Mtg	1	
3	70435	(004000-004499 )	Bracket Wldt, Tank, Lpg	1	
4	58589	(004000-004499 )	Strap, Mtg.- Lp Tank	1	
5	58590	(004000-004499 )	Strap, Tank Retainer - Lp	1	
6	57297	(004000-004499 )	Strap, Hinge - Lp Tank Mtg	1	
▽	7	53400-1	(004000-004499 )	Latch Assy, Lpg Tank Mtg,W/Nut	1
▲	8	53400-4	(004000-004499 )	Nut, Adjustable, Lpg Tank Mtg	1
9	26496	(004000-004499 )	Coupling,Quickdisc, Lpg, Shwd	1	
10	74089	(004000-004499 )	Plate Wldt.	1	
11	374158	(004000-004499 )	Hose, Lpg, Med05, Pm04str/Sm04str, 46.0l	1	
12	47720	(004000-004499 )	Ftg-Hyd E45 Pm04/Pf04	2	
13	56976A	(004000-004499 )	Ftg-Tee Npt 04Pm- 04Pf- 04Pf	2	
14	78122	(004000-004499 )	Ftg,Bulkhead .25Npt Wh W21204	1	
15	27048	(004000-004499 )	Ftg-El90 Npt/Npt 04Pf/04Pm	1	
16	24047	(004000-004499 )	Valve, Press Relief, Lpg Rego	1	
17	11442-1	(004000-004499 )	Fitting, Hyd, E90, Swivel Pf04/Pm04	2	
18	22308-3	(004000- xxxxxx )	Hose, Lpg, 4Lpg X 35.0Lg	1	
18	19760	( xxxxxx-004499 )	Hose, Lpg, Med05, Pm04str/Sm04str, 055.0	1	
19	17414	(004000-004499 )	Fitting, Pipe, Str, Pm04/Pf02	1	
20	23156	(004000-004499 )	Switch, Press, 12vdc 08a Spst Nc 0070psi	1	
21	24928-1	(004000-004499 )	Tank-Lp, 33#,Liq,Both,Fill Ga	1	
22	16931	(004000-004499 )	Screw, Hex, M8 X 1.25 X 20, 8.8	11	
23	32491	(004000-004499 )	Washer, Flat, 0.31, Std	11	
24	08709	(004000-004499 )	Nut, Hex, Lock, M8 X 1.25, NI	7	
25	43611	(004000-004499 )	Washer, Flat, 0.39b 0.75d .06, Nyl	1	
26	35707	(004000-004499 )	Screw, Hex, .38-16 X 3.00, G5	1	
27	50902	(004000-004499 )	Nut, Hex, Lock, .38-16, NI	2	
28	20177	(004000-004499 )	Screw, Hex, .38-16 X 4.00, G5	1	
29	07791	(004000-004499 )	Nut, Hex, Flng, M8 X 1.25	2	
30	67767	( xxxxxx-004499 )	Clamp, Cable, Stl, 0.69d X 0.62w, 1hole	2	
31	06942	( xxxxxx-004499 )	Screw, Hex, M6 X 1.0 X 16, 8.8	2	
32	19066	( xxxxxx-004499 )	Washer, Flat, #10	2	
33	07790	( xxxxxx-004499 )	Nut, Hex, Flng, M6 X 1.00	2	
34	30407	( xxxxxx-004499 )	Clip, Keeper, Open	1	

# STANDARD PARTS

Fig. 55 - Engine Fuel Tank Group, LPG (004500- )

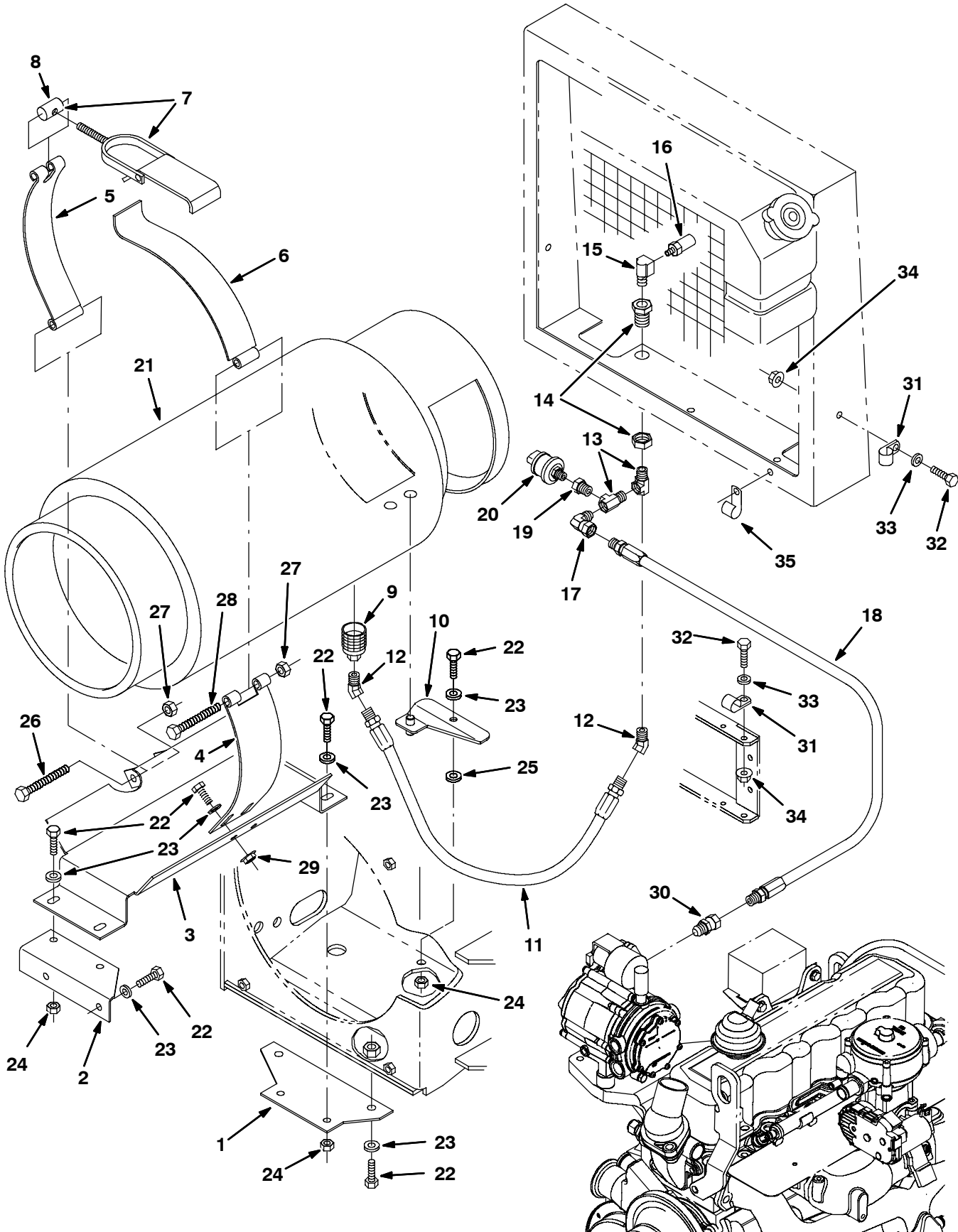


Fig. 55 - Engine Fuel Tank Group, LPG (004500- )

Ref.	Part No.	Serial Number	Description	Qty.
1	70718	(004500-	) Plate, Mtg	1
2	70719	(004500-	) Angle, Mtg	1
3	70435	(004500-	) Bracket Wldt, Tank, Lpg	1
4	58589	(004500-	) Strap, Mtg.- Lp Tank	1
5	58590	(004500-	) Strap, Tank Retainer - Lp	1
6	57297	(004500-	) Strap, Hinge - Lp Tank Mtg	1
▽	7	53400-1	(004500-) Latch Assy, Lpg Tank Mtg,W/Nut	1
▲	8	53400-4	(004500-) Nut, Adjustable, Lpg Tank Mtg	1
9	26496	(004500-	) Coupling,Quickdisc, Lpg, Shwd	1
10	74089	(004500-	) Plate Wldt.	1
11	374158	(004500-	) Hose, Lpg, Med05, Pm04str/Sm04str, 46.0l	1
12	47720	(004500-	) Ftg-Hyd E45 Pm04/Pf04	2
13	56976A	(004500-	) Ftg-Tee Npt 04Pm- 04Pf- 04Pf	2
14	78122	(004500-	) Ftg,Bulkhead .25Npt Wh W21204	1
15	27048	(004500-	) Ftg-El90 Npt/Npt 04Pf/04Pm	1
16	24047	(004500-	) Valve, Press Relief, Lpg Rego	1
17	11442-1	(004500-	) Fitting, Hyd, E90, Swivel Pf04/Pm04	2
18	62865	(004500-	) Hose, Lpg, Med05, Pm04str/Sm04str, 067.0	1
19	17414	(004500-	) Fitting, Pipe, Str, Pm04/Pf02	1
20	23156	(004500-	) Switch, Press, 12vdc 08a Spst Nc 0070psi	1
21	24928-1	(004500-	) Tank-Lp, 33#,Liq,Both,Fill Ga	1
22	16931	(004500-	) Screw, Hex, M8 X 1.25 X 20, 8.8	9
23	32491	(004500-	) Washer, Flat, 0.31, Std	9
24	08709	(004500-	) Nut, Hex, Lock, M8 X 1.25, NI	7
25	43611	(004500-	) Washer, Flat, 0.39b 0.75d .06, Nyl	1
26	35707	(004500-	) Screw, Hex, .38-16 X 3.00, G5	1
27	50902	(004500-	) Nut, Hex, Lock, .38-16, NI	2
28	20177	(004500-	) Screw, Hex, .38-16 X 4.00, G5	1
29	07791	(004500-	) Nut, Hex, Flng, M8 X 1.25	2
30	11442-23	(004500-	) Fitting, Pipe, Str, Pm04/Sf04	1
31	67767	(004500-	) Clamp, Cable, Stl, 0.69d X 0.62w, 1hole	2
32	06942	(004500-	) Screw, Hex, M6 X 1.0 X 16, 8.8	2
33	19066	(004500-	) Washer, Flat, #10	2
34	07790	(004500-	) Nut, Hex, Flng, M6 X 1.00	2
35	30407	(004500-	) Clip, Keeper, Open	1

**Fig. 56 - Engine Radiator Hose Group (003000-003178)**

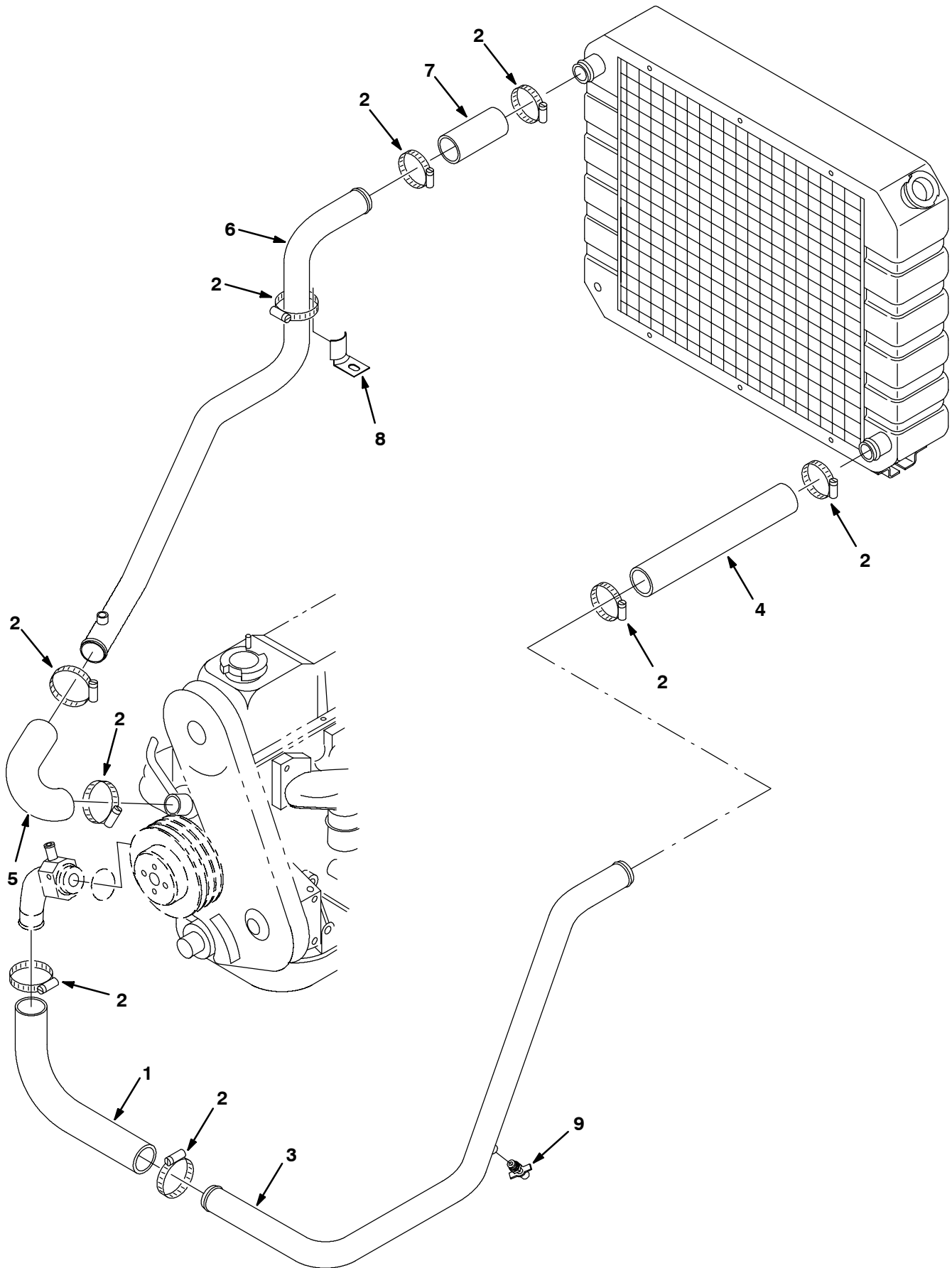


Fig. 56 - Engine Radiator Hose Group (003000-003178)

Ref.	Part No.	Serial Number	Description	Qty.
1	83690	(003000-003178 )	Hose, Radiator, Lower	1
2	11531	(003000-003178 )	Clamp-Wormdrive, 1.06- 2.00D	9
3	70754	(003000-003178 )	Tube, Coolant, 1.5od Lower	1
4	70635	(003000-003178 )	Hose, Rbr 1.50id 1.88od 12.0 L	1
5	70636	(003000-003178 )	Hose, Radiator, Upper	1
6	83691	(003000-003178 )	Tube, Radiator, Upper, Gas/Lpg	1
7	78750	(003000-003178 )	Hose, Rbr, 1.50id 1.88od 6.0 L	1
8	74058	(003000-003178 )	Bracket	1
9	54911-32	(003000-003178 )	Drain Cock, .25npt	1

**Fig. 57 - Engine Radiator Hose Group (003179-003999)**

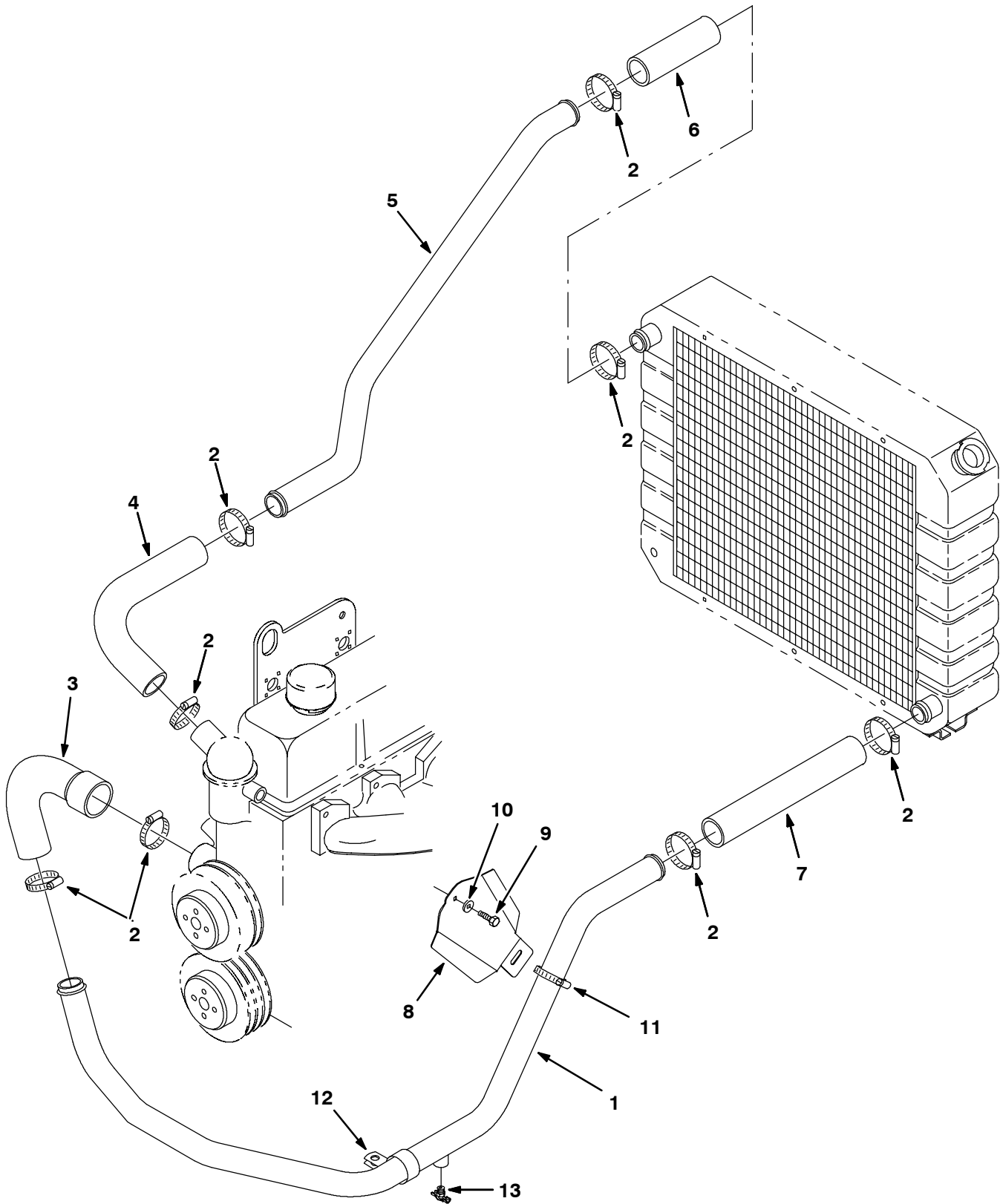




Fig. 57 - Engine Radiator Hose Group (003179-003999)

Ref.	Part No.	Serial Number	Description	Qty.
1	392590	(003179-003999 )	Tube, Coolant, 1.5d W/.25npt Low, G/Lpg	1
2	11531	(003179-003999 )	Clamp, Hose, Wormdrive, 1.06-2.00d	8
3	393229	(003179-003999 )	Hose, Rbr, E120 1.50id 1.20id 06.4 2.7	1
4	83690	(003179-003999 )	Hose, Rbr, E90 1.50id 1.50id 09.4 6.3	1
5	392591	(003179-003999 )	Tube, Coolant, 1.5d Upper, Gas/Lpg	1
6	78750	(003179-003999 )	Hose, Rbr, 1.50id 1.88od 12.0l	1
7	70635	(003179-003999 )	Hose, Rbr, 1.50id 1.88od 06.0l	1
8	393216	(003179-003999 )	Plate, Shield, Heat, W/Label	1
9	54396	(003179-003999 )	Screw, Hex, .31-18 X 0.75, 5	1
10	32491	(003179-003999 )	Washer, Flat, .31 Std	1
11	79381	(003179-003999 )	Clamp, Hose, Wormdrive, 1.25-2.00d	1
12	53468	(003179-003999 )	Clamp, Cable, Stl, 1.75d X 1.00w, 1h	1
13	54911-32	(003179-003999 )	Fitting, Draincock, .25npt	1

Fig. 58 - Engine Radiator Hose Group (004000-004499)

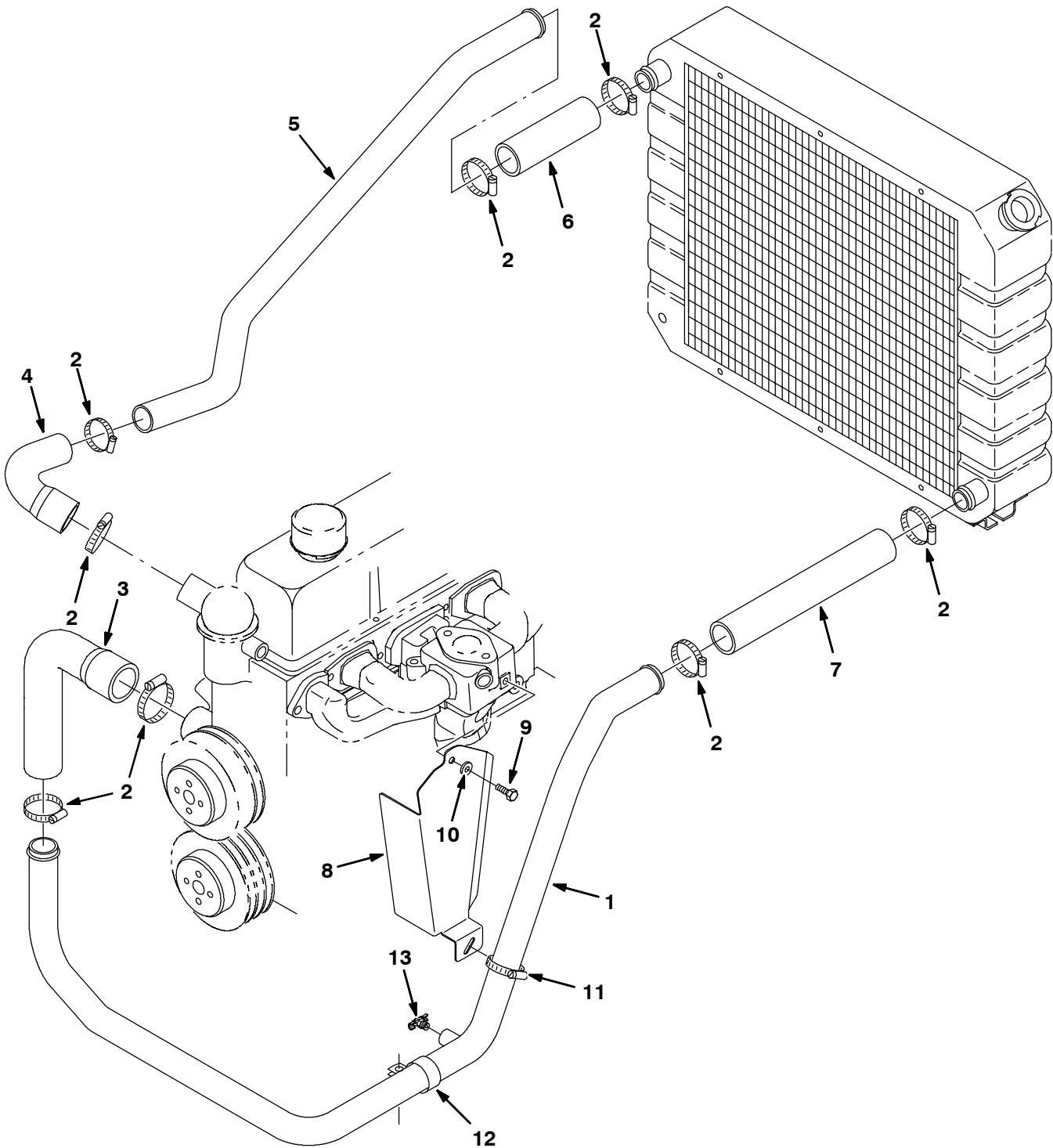


Fig. 58 - Engine Radiator Hose Group (004000-004499)

Ref.	Part No.	Serial Number	Description	Qty.
1	392590	(004000-004499 )	Tube, Coolant, 1.5d W/.25npt Low, G/Lpg	1
2	11531	(004000-004499 )	Clamp, Hose, Wormdrive, 1.06-2.00d	8
3	392647	(004000-004499 )	Hose, Coolant, 1.50id To 1.75id, Mold	1
4	393229	(004000-004031 )	Hose, Rbr, E120 1.50id 1.20id 05.0 05.2	1
4	1012737	(004032-004499 )	Hose, Rbr, E90 1.50id 1.62id 0.40 04.0	1
5	392591	(004000-004499 )	Tube, Coolant, 1.5d Upper, Gas/Lpg	1
6	78750	(004000-004499 )	Hose, Rbr, 1.50id 1.88od 06.0l	1
7	70635	(004000-004499 )	Hose, Rbr, 1.50id 1.88od 12.0l	1
8	9000360	(004000-004499 )	Plate, Shield, Heat, W/Label	1
9	54396	(004000-004499 )	Screw, Hex, .31-18 X 0.75, 5	1
10	32491	(004000-004499 )	Washer, Flat, .31 Std	1
11	79381	(004000-004499 )	Clamp, Hose, Wormdrive, 1.25-2.00d	1
12	53468	(004000-004499 )	Clamp, Cable, Stl, 1.75d X 1.00w, 1h	1
13	54911-32	(004000-004499 )	Fitting, Draincock, .25npt	1

Fig. 59 - Engine Radiator Hose Group (004500- )

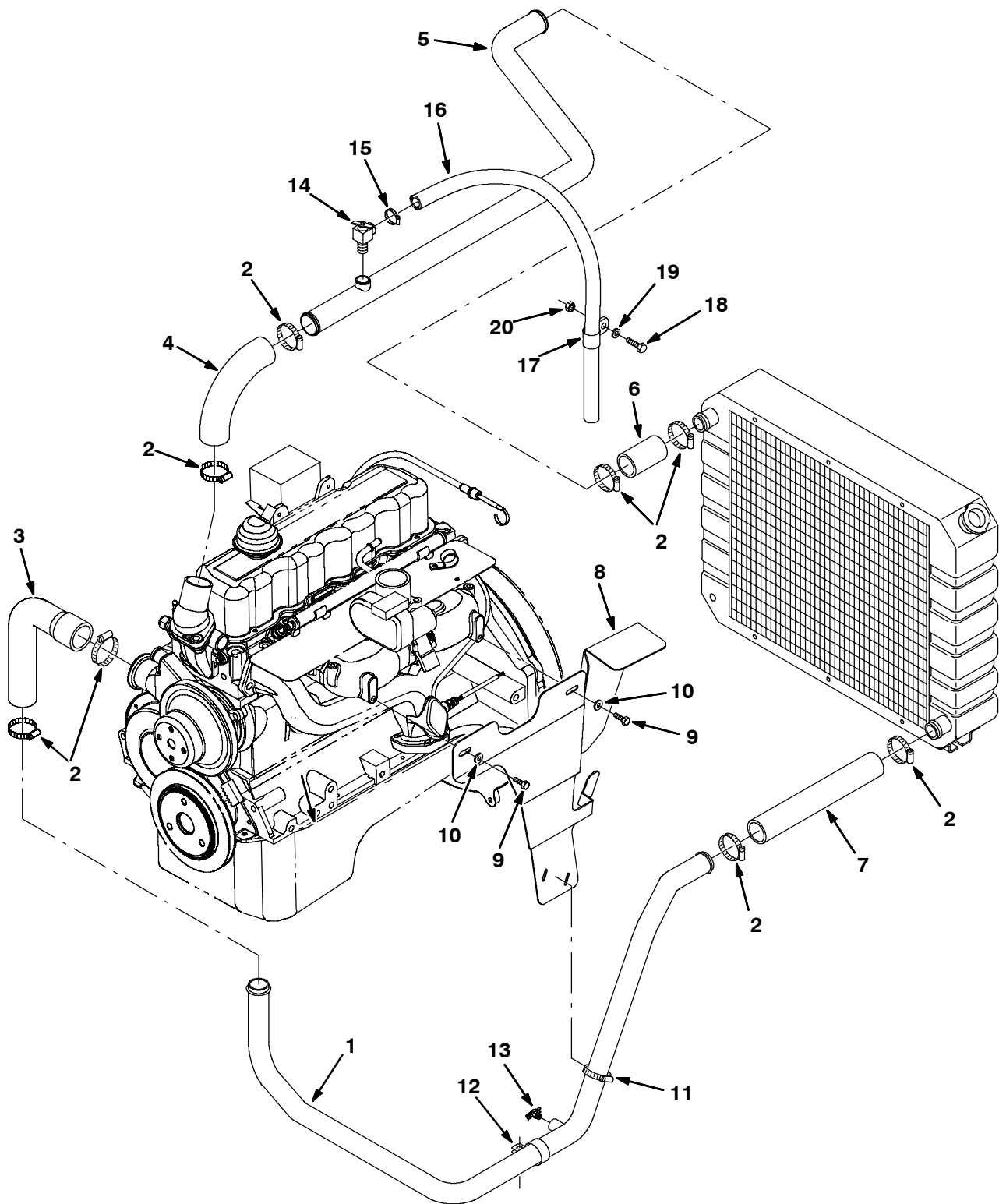


Fig. 59 - Engine Radiator Hose Group (004500- )

Ref.	Part No.	Serial Number	Description	Qty.
1	392590	(004500-	) Tube, Coolant, 1.5d W/.25npt Low, G/Lpg	1
2	11531	(004500-	) Clamp, Hose, Wormdrive, 1.06-2.00d	8
3	392647	(004500-	) Hose, Coolant, 1.50id To 1.75id, Mold	1
4	380748	(004500-	) Hose, Rbr, E90, 1.50id 1.50id 06.3 04.5	1
5	1030189	(004500-	) Tube, Radiator, Upper [800gas/Lpg]	1
6	74944	(004500-	) Hose, Rbr, 1.50id 1.88od 04.0l	1
7	70635	(004500-	) Hose, Rbr, 1.50id 1.88od 12.0l	1
8	1029737	(004500-	) Shield Wldt, Heat, Manifold	1
9	06941	(004500-	) Screw, Hex, M6 X 1.0 X 10, 8.8	2
10	32483	(004500-	) Washer, Flat, 0.25, Sae	2
11	83584	(004500-	) Clamp, Hose, Wormdrive, 2.25-3.25d, .50w	1
12	53468	(004500-	) Clamp, Cable, Stl, 1.75d X 1.00w, 1hole	1
13	54911-32	(004500-	) Fitting, Draincock, .25npt	1
14	51305	(004500-	) Fitting, Draincock, E90, .25npt	1
15	43844	(004500-	) Clamp, Hose, Wormdrive, 0.25-0.62d, .31w	1
16	41295	(004500-	) Hose, Pvc, Clr, 0.38id 0.56od 048.0l	1
17	62234	(004500-	) Handle, Valve, Cntrl	1
18	06944	(004500-	) Screw, Hex, M6 X 1.0 X 25, 8.8	1
19	32483	(004500-	) Washer, Flat, 0.25, Sae	1
20	08708	(004500-	) Nut, Hex, Lock, M6 X 1.00, NI	1

# STANDARD PARTS

Fig. 60 - Engine Radiator and Cooling Fan Group (003000-004048)

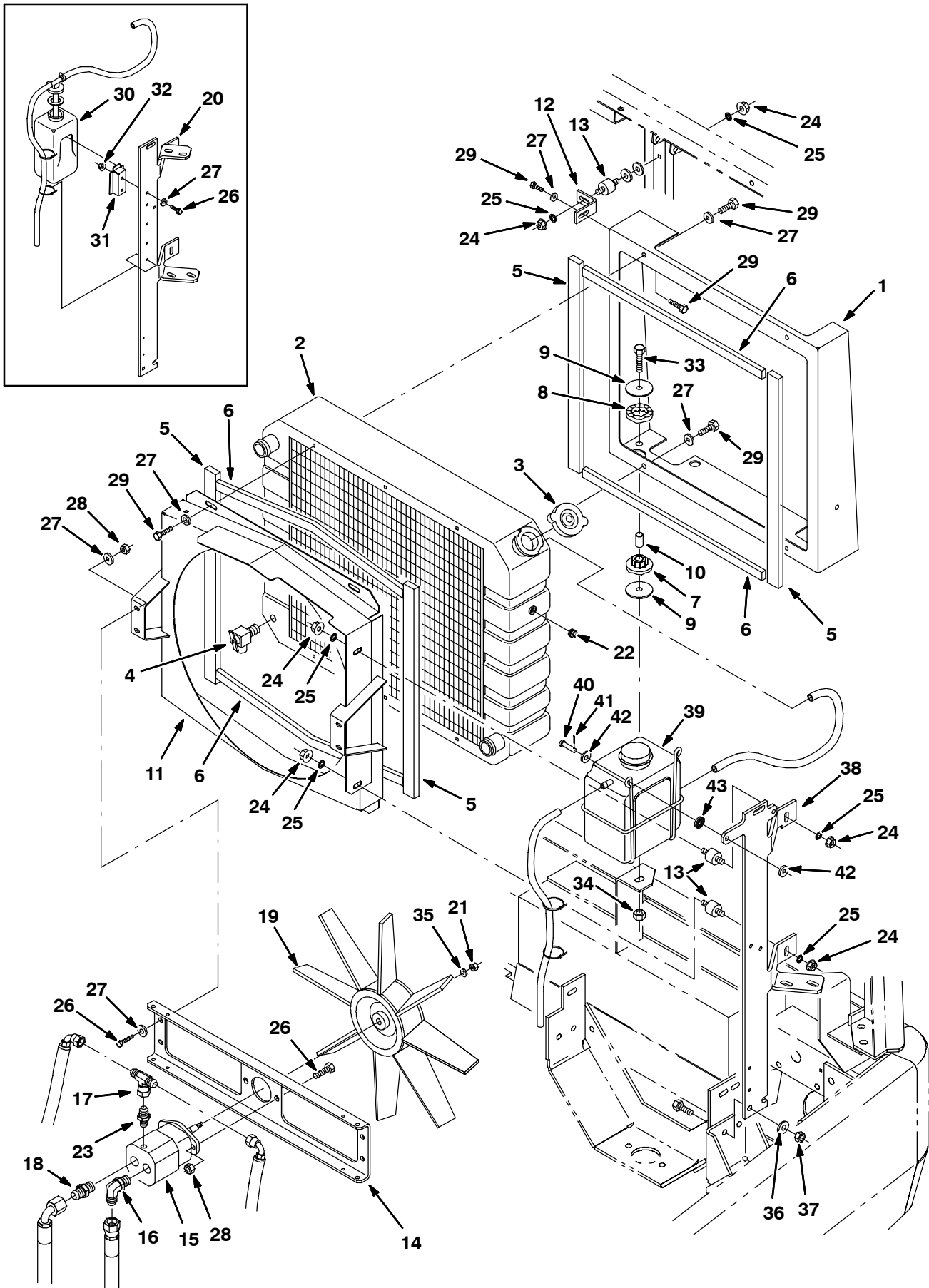


Fig. 60 - Engine Radiator and Cooling Fan Group (003000-004048)

Ref.	Part No.	Serial Number	Description	Qty.	
1	48056	(003000-004048 )	Duct, Rear	1	
2	1041739AM	(003000-004048 )	Radiator	1	
3	1045764	(003000-004048 )	Cap, Radiator, 14psi [Stant]	1	
4	51305	(003000-004048 )	Drain Cock, .25Npt Wh#120 Angl	1	
5	63818	(003000-004048 )	Seal, Duct	4	
6	374230	(003000-004048 )	Seal, Ure, 0.38 0.75w 19.5l Adh	4	
7	64621	(003000-004048 )	Bushing, Isolator	2	
8	64618	(003000-004048 )	Ring, Isolator, Outer Rbr	2	
9	58228	(003000-004048 )	Washer, Flat, 0.44b 2.00d .12, Stl, Pl	4	
10	77452	(003000-004048 )	Spacer	2	
11	9001070	(003000-004048 )	Shroud, Fan, Radiator, W/ Label [800]	1	
12	375511	(003000-004048 )	Bracket, L, 2.20,2.00, .18T,1.	1	
13	51322	(003000-004048 )	Isolator-Vibration .31-18	3	
14	1019188	(003000-004048 )	Channel, Mtg, Fan Motor	1	
▽	15	63542	(003000-004048 )	Motor-Hyd, Gear In 10.0 (See Breakdowns)	1
▲		00960	(003000-004048 )	Key, Sq, 0.12 X 0.12, 0.50l	1
	16	47512	(003000-004048 )	Ftg-Hyd E90 Jm06/Om08	1
	17	31599	(003000-003178 )	Ftg-Hyd Tee Jm04Omjm	1
	18	52402	(003000-004048 )	Ftg-Hyd Str Jm06/Om08	1
	19	375586	(003000-004048 )	Fan, Radiator	1
	20	380754	(003000-004033 )	Bracket, Mtg, Fltr, Oil, W/ Label [800]	1
	21	74082	(003000-004048 )	Nut-Hxlocnyln .31-24 Reg Pltd	1
	22	02247	(003093-004048 )	Fitting, Plug	1
	23	50960	(003179-004048 )	Fitting, Hyd, Str, Jm06/Om04	1
	24	19313	(003000-004048 )	Nut, Hex, Std, .31-18	6
	25	32984	(003000-004048 )	Washer, Lock, Int, 0.31	6
	26	39277	(003000-004048 )	Screw, Hex, M8 X 1.25 X 25, 8.8	8
	27	32491	(003000-004048 )	Washer, Flat, 0.31 Std	14
	28	08709	(003000-004048 )	Nut, Hex, Lock, M8 X 1.25, NI	7
	29	16931	(003000-004048 )	Screw, Hex, M8 X 1.25 X 20, 8.8	9
	30	87972	(003000-004033 )	Tank, Coolant, 03.5 03.0 06.5deep 1.0 Qt	1
	31	382507	(003000-004033 )	Bracket, Mtg, Tank, Coolant F/87972	1
	32	07790	(003000-004048 )	Nut, Hex, Flng, M6 X 1.0	2
	33	27990	(003000-004048 )	Screw, Hex, .38-16 X 2.00, 5	2
	34	50902	(003000-004048 )	Nut, Hex, Lock, .38-16, NI	2
	35	41186	(003000-004048 )	Washer, Belleville, .31	1
	36	32492	(003000-004048 )	Washer, Flat, 0.38 Std	2
	37	41430	(003000-004048 )	Nut, Hex, Lock, M10 X 1.5, NI	2
	38	9001183	(003000-004048 )	Bracket, Mtg, Fltr, Oil, W/Label [800]	1
	39	768897	(003000-004048 )	Tank, Coolant, 06.0 04.5 06.9deep 2.5 Qt	1
	40	46800	(003000-004048 )	Pin, Clevis, 0.31 D X 0.75l	2
	41	44906	(003000-004048 )	Pin, Hair Cotter, 0.69 D .092 Wir	2
	42	32490	(003000-004048 )	Washer, Flat, 0.25 Std	4
	43	63416	(003000-004048 )	Washer, Rbr, .12 0.31b 0.88d	2

# STANDARD PARTS

Fig. 61 - Engine Radiator and Cooling Fan Group (004049-004499)

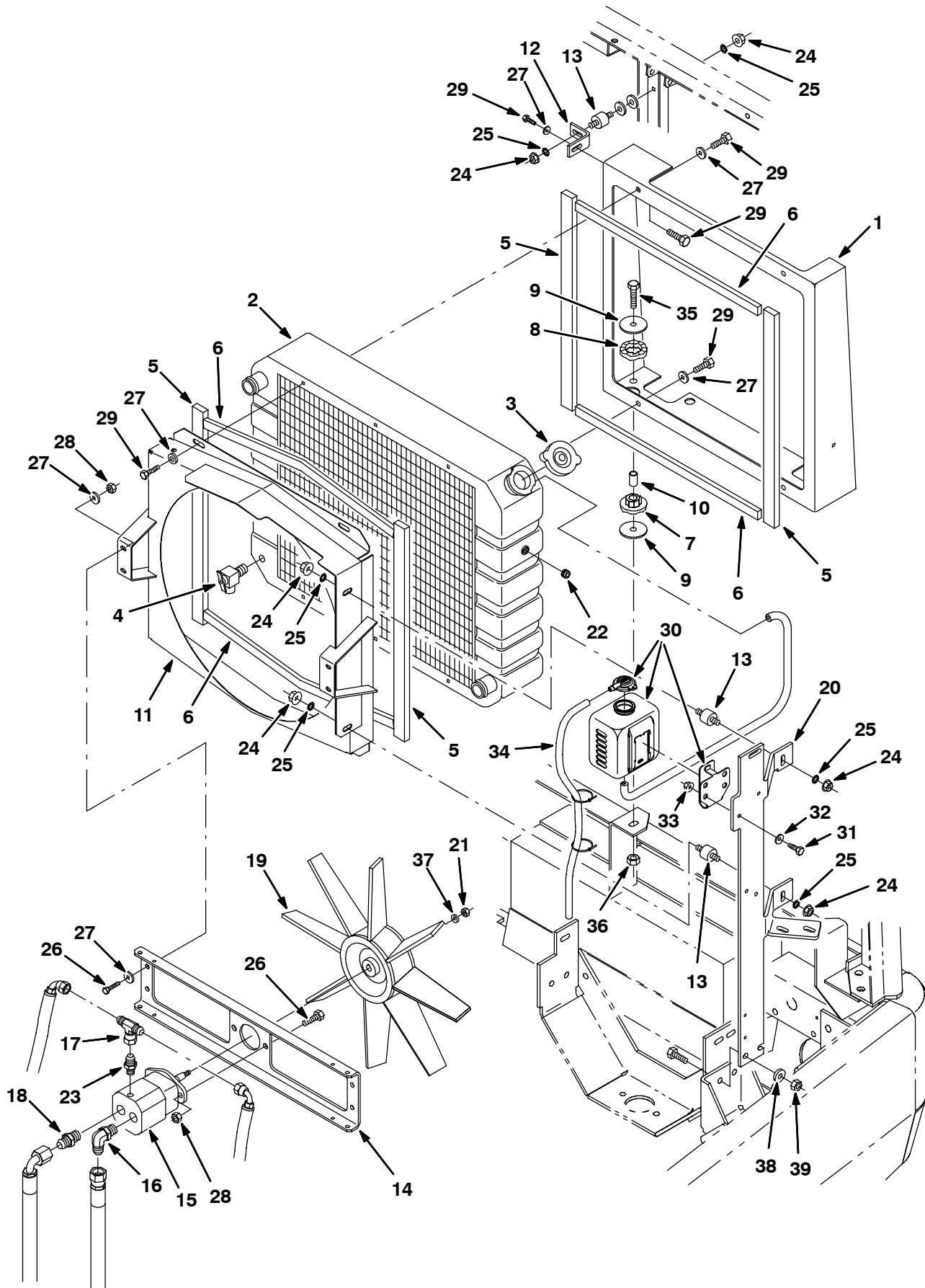




Fig. 61 - Engine Radiator and Cooling Fan Group (004049-004499)

Ref.	Part No.	Serial Number	Description	Qty.	
1	48056	(004049-004499 )	Duct, Rear	1	
2	1041739AM	(004049-004499 )	Radiator	1	
3	1045764	(004049-004499 )	Cap, Radiator, 14psi [Stant]	1	
4	51305	(004049-004499 )	Drain Cock, .25Npt Wh#120 Angl	1	
5	63818	(004049-004499 )	Seal, Duct	4	
6	374230	(004049-004499 )	Seal, Ure, 0.38 0.75w 19.5l Adh	4	
7	64621	(004049-004499 )	Bushing, Isolator	2	
8	64618	(004049-004499 )	Ring, Isolator, Outer Rbr	2	
9	58228	(004049-004499 )	Washer, Flat, 0.44b 2.00d .12, Stl, Pl	4	
10	77452	(004049-004499 )	Spacer	2	
11	9001070	(004049-004499 )	Shroud, Fan, Radiator, W/ Label [800]	1	
12	375511	(004049-004499 )	Bracket, L, 2.20,2.00, .18T,1.	1	
13	51322	(004049-004499 )	Isolator-Vibration .31-18	3	
14	1019188	(004049-004499 )	Channel, Mtg, Fan Motor	1	
▽	15	63542	(004049-004499 )	Motor-Hyd, Gear In 10.0 (See Breakdowns)	1
▲		00960	(004049-004499 )	Key, Sq, 0.12 X 0.12, 0.50l	1
	16	47512	(004049-004499 )	Ftg-Hyd E90 Jm06/Om08	1
	17	31599	(004049-004499 )	Ftg-Hyd Tee Jm04Omjm	1
	18	52402	(004049-004499 )	Ftg-Hyd Str Jm06/Om08	1
	19	375586	(004049-004499 )	Fan, Radiator	1
	20	9001554	(004049-004499 )	Bracket, Mtg, Fltr, Oil, W/Label [800]	1
	21	74082	(004049-004499 )	Nut-Hxlocnyln .31-24 Reg Pltd	1
	22	02247	(004049-004499 )	Fitting, Plug	1
	23	50960	(004049-004499 )	Fitting, Hyd, Str, Jm06/Om04	1
	24	19313	(004049-004499 )	Nut, Hex, Std, .31-18	6
	25	32984	(004049-004499 )	Washer, Lock, Int, 0.31	6
	26	39277	(004049-004499 )	Screw, Hex, M8 X 1.25 X 25, 8.8	8
	27	32491	(004049-004499 )	Washer, Flat, 0.31 Std	14
	28	08709	(004049-004499 )	Nut, Hex, Lock, M8 X 1.25, NI	7
	29	16931	(004049-004499 )	Screw, Hex, M8 X 1.25 X 20, 8.8	9
	30	1023853	(004049-004499 )	Tank, Coolant, 04.7 03.3 4.7deep, 1liter	1
	31	06943	(004049-004499 )	Screw, Hex, M6 X 1.0 X 20, 8.8	2
	32	19066	(004049-004499 )	Washer, Flat, #10	2
	33	07790	(004049-004499 )	Nut, Hex, Flng, M6 X 1.0	2
	34	381391	(004049-004499 )	Hose, Drain, Overflow, Radiator	1
	35	27990	(004049-004499 )	Screw, Hex, .38-16 X 2.00, 5	2
	36	50902	(004049-004499 )	Nut, Hex, Lock, .38-16, NI	2
	37	41186	(004049-004499 )	Washer, Belleville, .31	1
	38	32492	(004049-004499 )	Washer, Flat, 0.38 Std	2
	39	41430	(004049-004499 )	Nut, Hex, Lock, M10 X 1.5, NI	2

# STANDARD PARTS

Fig. 62 - Engine Radiator and Cooling Fan Group (004500- )

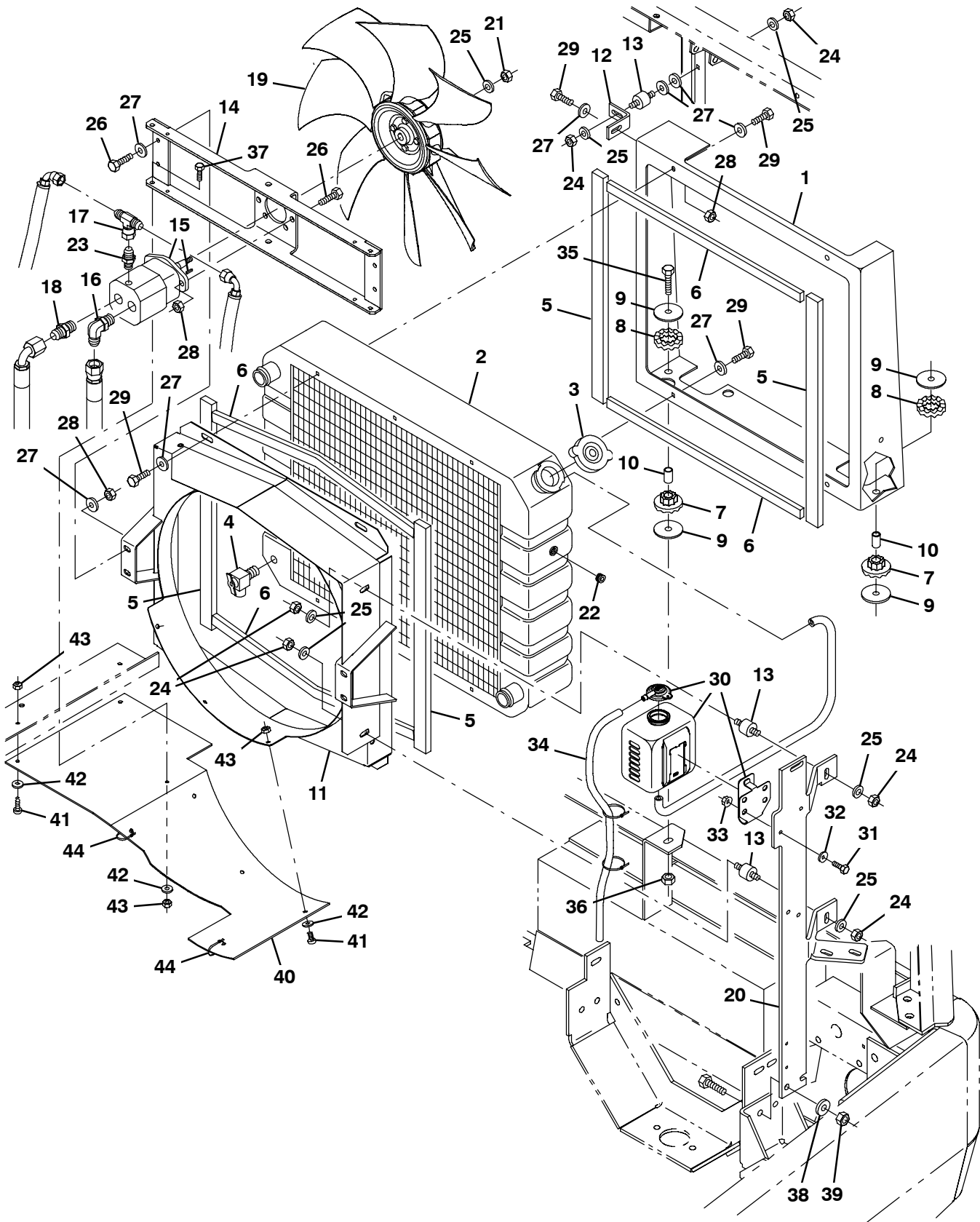


Fig. 62 - Engine Radiator and Cooling Fan Group (004500- )

Ref.	Part No.	Serial Number	Description	Qty.	
1	48056	(004000-	) Duct, Rear	1	
2	1041739AM	(004000-	) Radiator	1	
3	1045764	(004000-	) Cap, Radiator, 14psi [Stant]	1	
4	51305	(004000-	) Drain Cock, .25Npt Wh#120 Angl	1	
5	63818	(004000-	) Seal, Duct	4	
6	374230	(004000-	) Seal, Ure, 0.38 0.75w 19.5l Adh	4	
7	64621	(004000-	) Bushing, Isolator	2	
8	64618	(004000-	) Ring, Isolator, Outer Rbr	2	
9	58228	(004000-	) Washer, Flat, 0.44b 2.00d .12, Stl, Pl	4	
10	77452	(004000-	) Spacer	2	
11	9006741	(004000-005047	) Shroud Kit, Fan, Radiator [800/810]	1	
11	1056213	(005048-	) Shroud Wldt, Fan, Radiator [800/810]	1	
12	375511	(004000-	) Bracket, L, 2.20,2.00, .18T,1.	1	
13	51322	(004000-	) Isolator-Vibration .31-18	3	
14	1033344	(004000-005047	) Bracket Wldt, Mtg, Motor [2007]	1	
14	1051599	(005048-	) Bracket Wldt, Mtg, Motor	1	
▽	15	63542	(004000-	) Motor-Hyd, Gear In 10.0 (See Breakdowns)	1
▲		00960	(004000-	) Key, Sq, 0.12 X 0.12, 0.50l	1
16	47512	(004000-	) Ftg-Hyd E90 Jm06/Om08	1	
17	31599	(004000-	) Ftg-Hyd Tee Jm04Omjm	1	
18	52402	(004000-	) Ftg-Hyd Str Jm06/Om08	1	
19	1033497	(004000-	) Fan, Cooling, 18.0d, 8 Blade, 0.5b Taper	1	
20	9001554	(004000-	) Bracket, Mtg, Fltr, Oil, W/Label [800l]	1	
21	74082	(004000-	) Nut-Hxlocnyln .31-24 Reg Pltd	1	
22	02247	(004000-	) Fitting, Plug	1	
23	50960	(004000-	) Fitting, Hyd, Str, Jm06/Om04	1	
24	19313	(004000-	) Nut, Hex, Std, .31-18	6	
25	41186	(004000-	) Washer, Belleville, .31	7	
26	39277	(004000-	) Screw, Hex, M8 X 1.25 X 25, 8.8	8	
27	32491	(004000-	) Washer, Flat, 0.31 Std	14	
28	08709	(004000-	) Nut, Hex, Lock, M8 X 1.25, NI	7	
29	16931	(004000-	) Screw, Hex, M8 X 1.25 X 20, 8.8	9	
30	1023853	(004000-	) Tank, Coolant, 04.7 03.3 4.7deep, 1liter	1	
31	06943	(004000-	) Screw, Hex, M6 X 1.0 X 20, 8.8	2	
32	19066	(004000-	) Washer, Flat, #10	2	
33	07790	(004000-	) Nut, Hex, Flng, M6 X 1.0	2	
34	381391	(004000-	) Hose, Drain, Overflow, Radiator	1	
35	27990	(004000-	) Screw, Hex, .38-16 X 2.00, 5	2	
36	50902	(004000-	) Nut, Hex, Lock, .38-16, NI	2	
37	06943	(005048-	) Screw, Hex, M6 X 1.00 X 20, 8.8	1	
38	32492	(004000-	) Washer, Flat, 0.38 Std	2	
39	41430	(004000-	) Nut, Hex, Lock, M10 X 1.5, NI	2	
40	1055893	(005048-	) Skirt, Cooling Fan [800/810]	1	
41	09145	(005048-	) Screw, Pan, Phl, M6 X 1.00 X 16, 4.8	5	
42	32490	(005048-	) Washer, Flat, 0.25, Std	6	
43	08708	(005048-	) Nut, Hex, Lock, M6 X 1.00, NI	6	
44	763114	(005048-	) Tie, Cable, 11.3l, 2.75d Max	2	

**Fig. 63 - Engine Battery Group (003000-004499)**

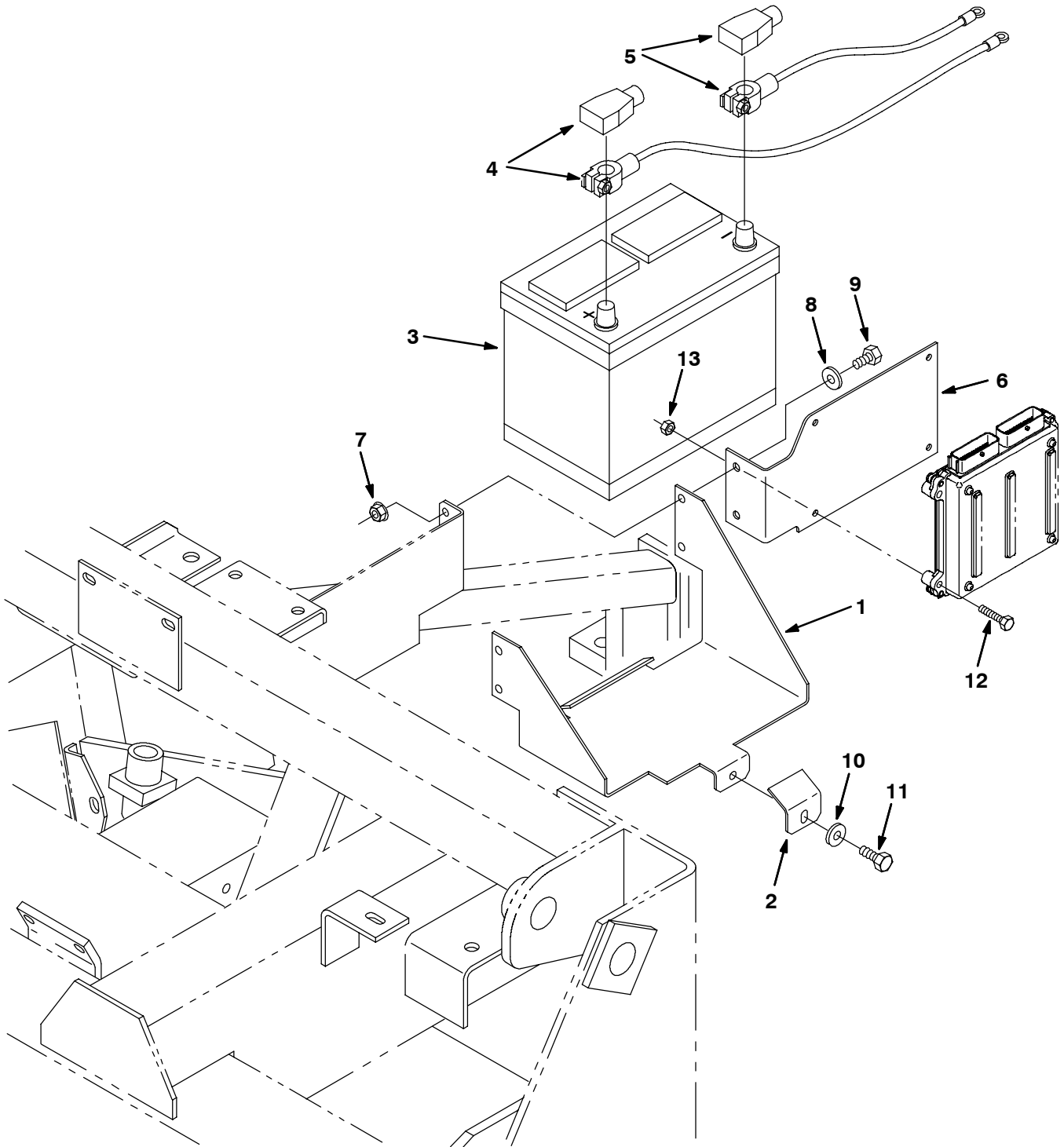


Fig. 63 - Engine Battery Group (003000-004499)

Ref.	Part No.	Serial Number	Description	Qty.
1	77490	(003000-004499 )	Bracket, Mtg, Battery	1
2	77579	(003000-004499 )	Bracket, Battery	1
3	77602	(003000-004499 )	Battery, 12V, Wet	1
4	68869	(003000-004499 )	Cable Assy-Batt,Pos, 48.0, 2Ga	1
5	60293	(003000-004499 )	Wire, 42.0 Lg, 2Ga, Neg	1
6	1011655	(004000-004499 )	Bracket, Eng	1
7	07791	(004000-004499 )	Nut, Hex, Flng, M8 X 1.25	2
8	32491	(004000-004499 )	Washer, Flat, 0.31 Std	2
9	16931	(004000-004499 )	Screw, Hex, M8 X 1.25 X 20, 8.8	2
10	41186	(004000-004499 )	Washer, Belleville, .31	1
11	39277	(004000-004499 )	Screw, Hex, M8 X 1.25 X 25, 8.8	1
12	06946	(004000-004499 )	Screw, Hex, M6 X 1.0 X 35, 8.8	4
13	08708	(004000-004499 )	Nut, Hex, Lock, M 6 X 1.0, NI	4

Fig. 64 - Engine Battery Group (004500- )

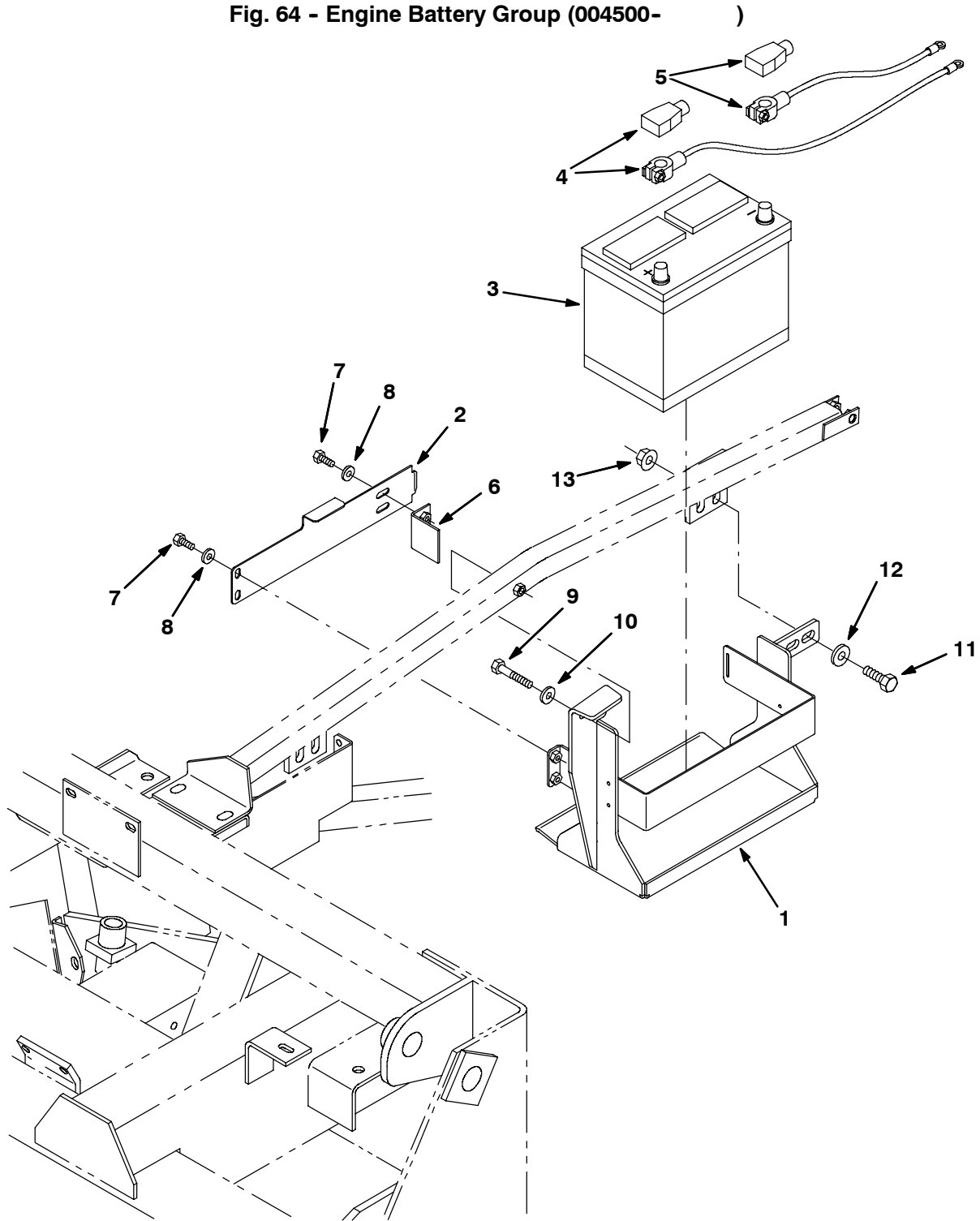


Fig. 64 - Engine Battery Group (004500- )

Ref.	Part No.	Serial Number	Description	Qty.
1	1012785	(004500-	) Bracket Wldt, Mtg, Battery	1
2	1011788	(004500-	) Bracket, Retainer, Battery	1
3	77602	(004500-	) Battery, Wet, 12vdc 0700cca	1
4	68869	(004500-	) Cable, Battery, 02ga 48.0l Red .41ring	1
5	34821	(004500-	) Cable, Battery, 02ga 36.0l Blk .38ring	1
6	1011795	(004500-	) Bracket, Retainer, Battery	1
7	16931	(004500-	) Screw, Hex, M8 X 1.25 X 20, 8.8	2
8	41186	(004500-	) Washer, Flat, Belleville, .31	2
9	06963	(004500-	) Screw, Hex, M10 X 1.5 X 60, 8.8	2
10	32492	(004500-	) Washer, Flat, 0.38, Std	2
11	06969	(004500-	) Screw, Hex, M12 X 1.75 X 40, 8.8	2
12	32486	(004500-	) Washer, Flat, 0.50, Sae	2
13	07793	(004500-	) Nut, Hex, Flng, M12 X 1.75	2

**Fig. 65 - Wheel Drive Group, Rear**

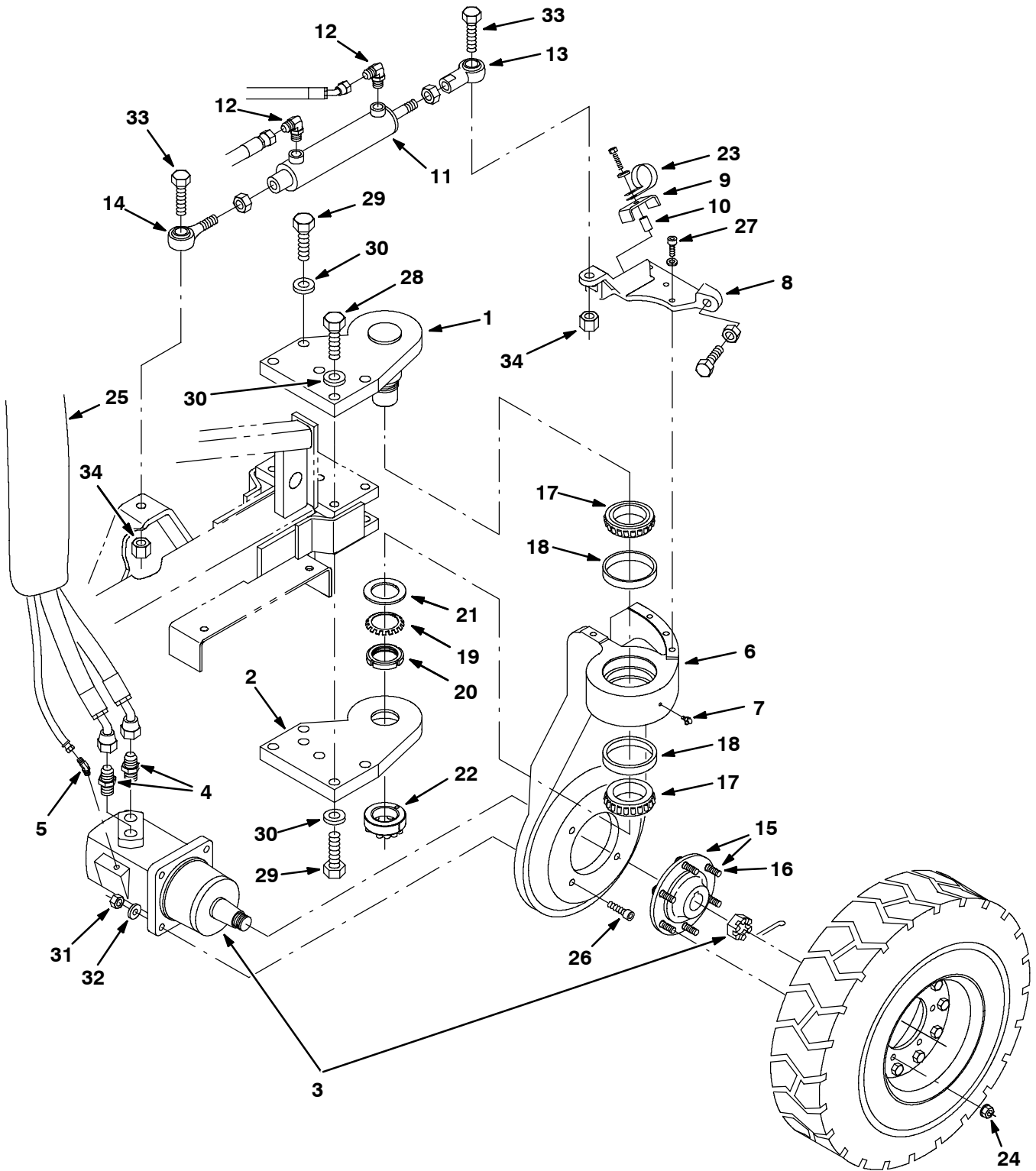




Fig. 65 - Wheel Drive Group, Rear

Ref.	Part No.	Serial Number	Description	Qty.	
1	63491	(003000-	) Pivot Wldt, Wheel	1	
2	63471	(003000-	) Plate, Pivot, Wheel	1	
3	63426	(003000-003039	) Motor-Hyd Gear In (See Breakdowns)	1	
3	22626	(003040-003178	) Motor-Hyd Gear (See Breakdowns)	1	
3	373464	(003179-	) Motor-Hyd Gear (See Breakdowns)	1	
4	67310	(003000-	) Ftg-Hyd Str Jm12/Om16	2	
5	34359	(003000-003178	) Ftg-Hyd E45 Jm04/Om04	1	
5	47522	(003179-	) Ftg-Hyd E45 Jm04/Om04	1	
6	63540	(003000-003005	) Housing, Sppt, Wheel (Repl. by 375534)	1	
6	21740	(003006-	) House, Wheel	1	
7	09718	(003000-	) Ftg, Grease.25-28Th 90 .75L	1	
8	63543	(003000-003005	) Bracket, Steering, Machining (Repl. by 375534)	1	
8	375575	(003006-	) Bracket, Steering, Machining	1	
9	73733	(003000-	) Channel, Retainer	1	
10	73731	(003000-	) Sleeve, .375B .62D1.06 Stl	1	
11	53601	(003000-004077	) Cylinder, Hyd, 2.0b,15.0l, Rep.By1028492 (See Breakdowns)	1	
11	1028492	(004078-	) Cylinder, Hyd, 2.0b 15.0l 08.00strk 1500	1	
12	56820	(003000-	) Ftg-Hyd E90 Jm06/Om06	2	
13	64887	(003000-	) Balljoint, Rod End	1	
14	64886	(003000-	) Balljoint, Rod End	1	
▽	15	79140	(003000-	) Hub and Stud Assy.	1
▲	16	79152	(003000-	) Stud, Wheel .56-18x2.13	6
	17	51341	(003000-	) Bearing-Cone, 2.63Bore 0.87Wth	2
	18	51340	(003000-	) Bearing-Cup , 4.33Dia 0.74Wth	2
	19	369701	(003000-	) Washer,Lock Special	1
	20	41073	(003000-	) Nut,Lock-Special 2.16-18Uns	1
	21	375762	(003000-	) Washer	1
	22	63496	(003000-	) Ring, Retainer, Lock	1
	23	67767	(003000-	) Clamp, Cable	1
	24	79153	(003000-	) Nut, Wheel Lug	6
	25	82832	(003000-	) Sleeve, Nyl, 37, 25.0l	1
	26	39305	(003000-	) Scr-soc .50-13x2.75 Alloypltd	4
	27	375576	(003000-	) Scr-soc M12x1.75 60	4
	28	06995	(003000-	) Screw, Hex, M20 X 2.5 X 70, 8.8	3
	29	06993	(003000-	) Screw, Hex, M20 X 2.5 X 60, 8.8	7
	30	39350	(003000-	) Washer, Flat, 0.75, Sae	10
	31	32985	(003000-	) Nut, Hex, Lock, .50-13, NI	4
	32	32486	(003000-	) Washer, Flat, 0.50, Sae	4
	33	54833	(003000-	) Screw, Hex, .75-10 X 2.50, G5	2
	34	32987	(003000-	) Nut, Hex, Lock, .75-10, NI	2

Fig. 66 - Wheels and Brakes Group, Front

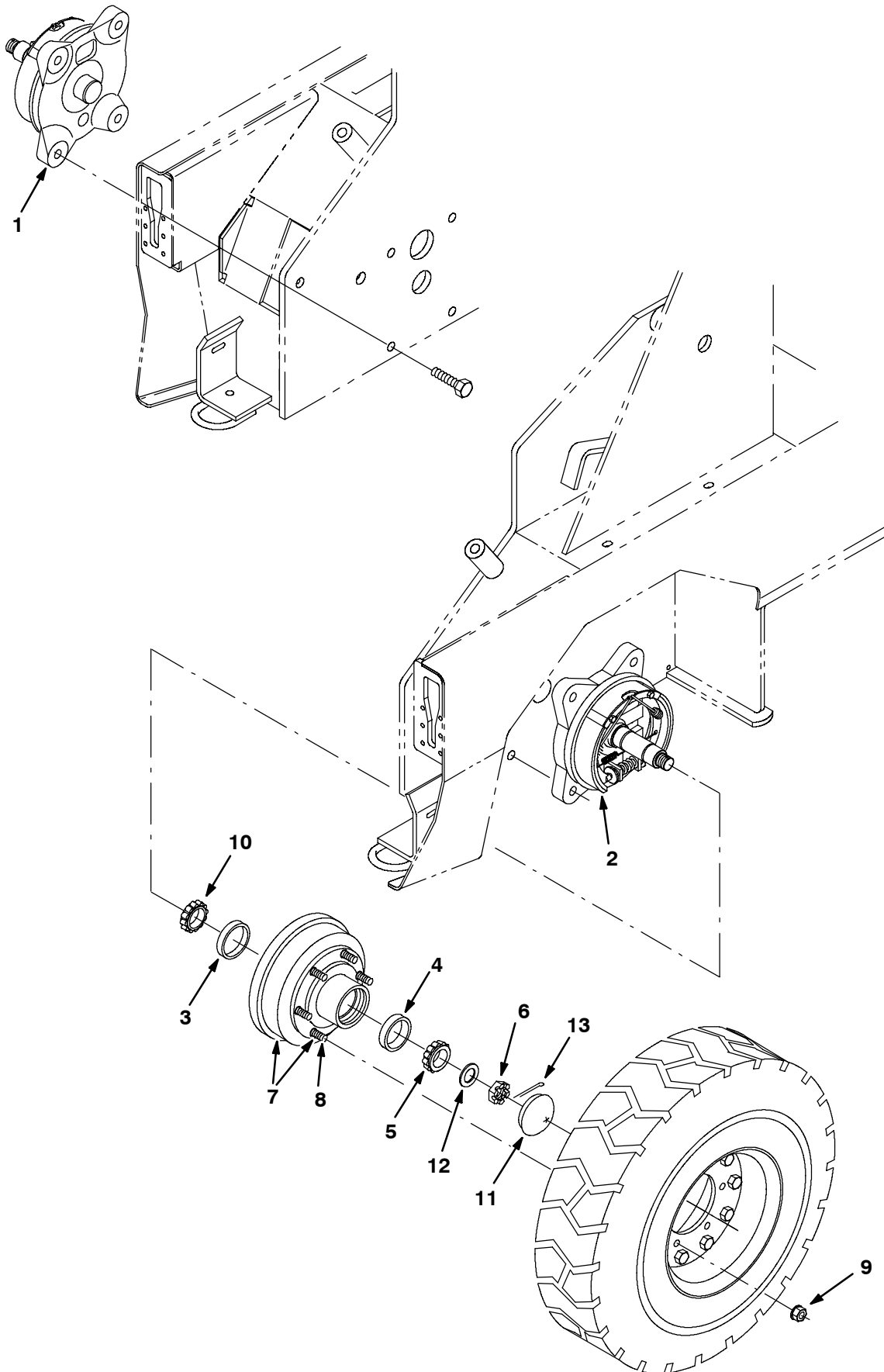


Fig. 66 - Wheels and Brakes Group, Front

Ref.	Part No.	Serial Number	Description	Qty.
1	77790	(003000-	) Brake Assy, Rh (See Breakdowns)	1
2	77770	(003000-	) Brake Assy, Lh (See Breakdowns)	1
3	17808	(003000-	) Bearing-Cup, 2.72Dia 0.59Wth	2
4	51338	(003000-	) Bearing-Cup, 2.56Dia 0.55Wth	2
5	51193	(003000-	) Bearing-Cone, 1.38Bore 0.72Wth	2
6	14242	(003000-	) Nut-Hxslot 1.00-20 Pltd	2
▽	7	79151	(003000-) Drum Assy, Brake 9/16	2
▲	8	79152	(003000-) Stud, Wheel .56-18x2.13	6
9	79153	(003000-	) Nut, Wheel Lug, 9/16-18	12
10	17809	(003000-	) Bearing-Cone, 1.50Bore 0.75Wth	2
11	51373	(003000-	) Cap, Grease Black Paint	2
12	32598	(003000-	) Washer, Flat, 1.02b 1.75d .12, Stl	2
13	08180	(003000-	) Pin, Cotter, .125 X 2.00	2

Fig. 67 - Wheel Assembly

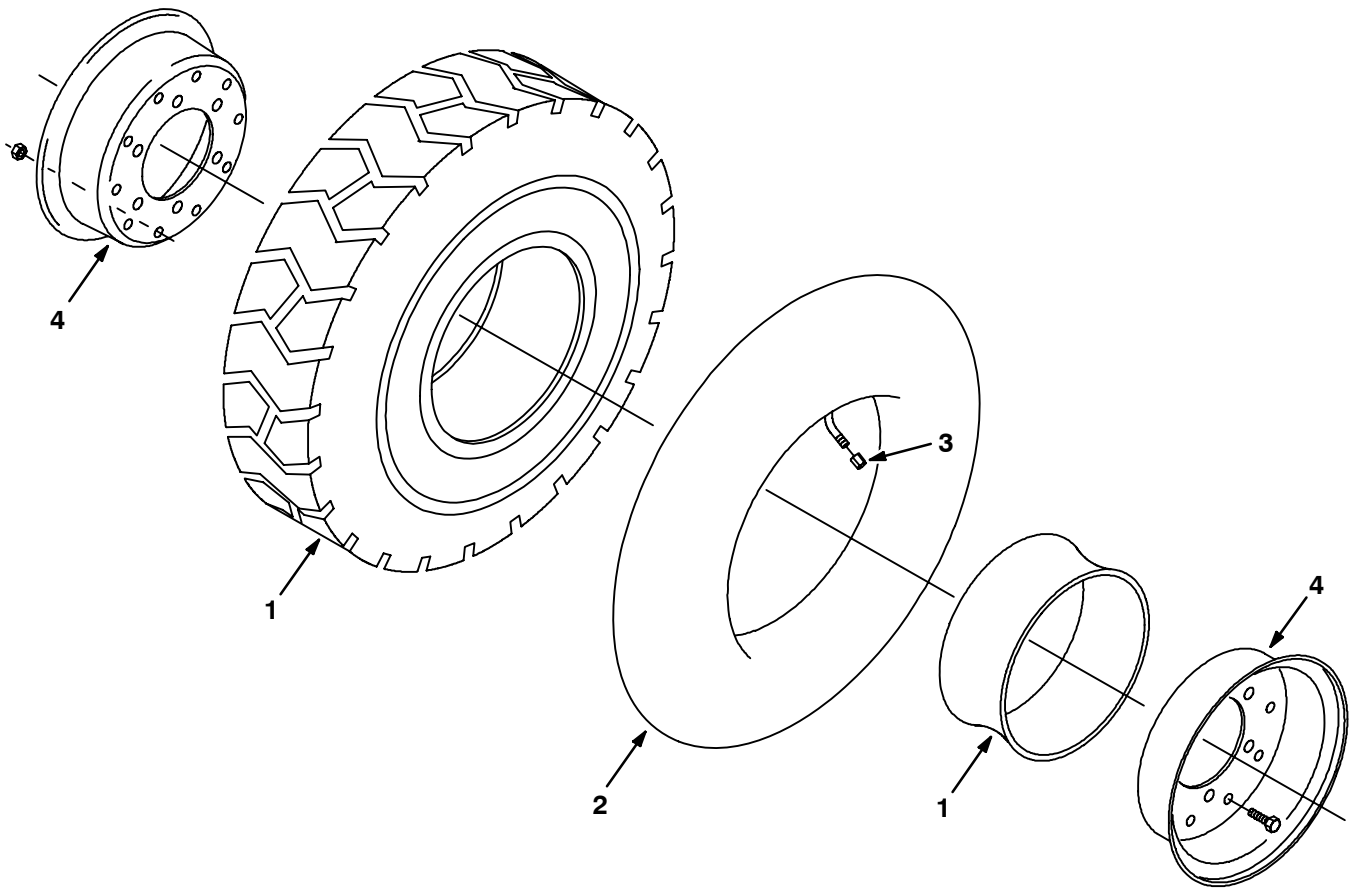


Fig. 67 - Wheel Assembly

	Ref.	Part No.	Serial Number	Description	Qty.
▽		375567	(003000-	) Tire & Rim Assy, Pneu 6.50-10	3
▲	1	64059	(003000-	) Tire & Flap Assy	1
▲	2	64058	(003000-	) Tube, Inner	1
▲	3	45786	(003000-	) Cap, Valve Stem	1
▲	4	21672	(003000-	) Hub Assy	1

Fig. 68 - Brake Pedals Group

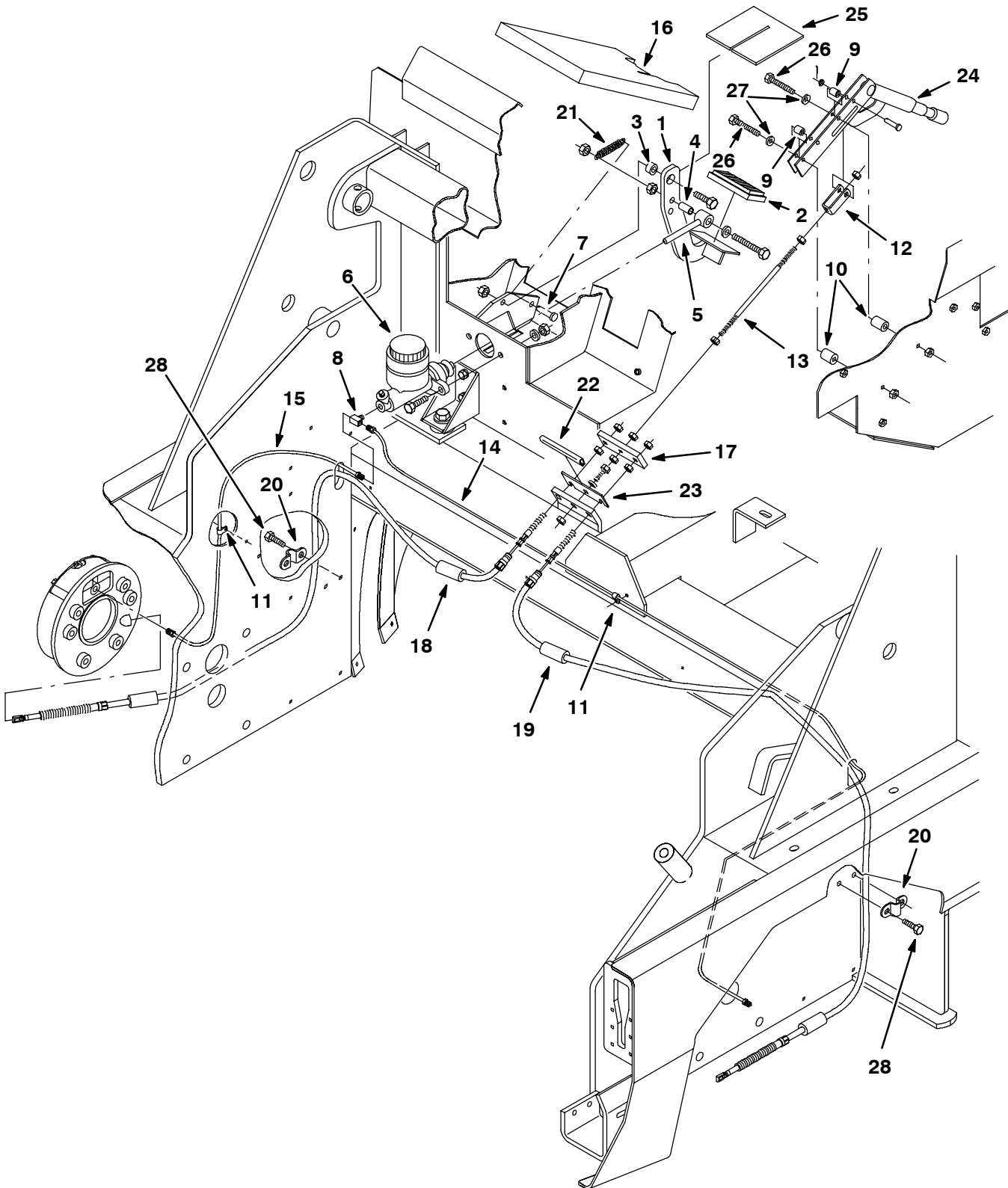


Fig. 68 - Brake Pedals Group

Ref.	Part No.	Serial Number	Description	Qty.	
1	63295	(003000-	) Pedal Wldt	1	
2	51109	(003000-	) Pad	1	
3	64635	(003000-	) Spacer	1	
4	57311	(003000-	) Spacer-.50 Od X .055W X 1.0	1	
5	70550	(003000-	) Rod Wldt, Push, Brake	1	
▽	6	64950	(003000-	) Cylinder, Master Brake	1
▲	374230	(003000-	) Cap, Cyl Assy, Master Brake	1	
7	76653	(003000-	) Pin, Clevis .375D X 1.000 Lg	1	
8	51483	(003000-	) Ftg,Brass,Tee 06lf- 02Pm- 06lf	1	
9	51562	(003000-	) Sleeve, .344B .50D .81 Cr.Anc	2	
10	86034	(003000-	) Spacer, Brake	2	
11	46236	(003000-	) Clamp-Cable, 0.25Dia 0.56Wth	4	
12	76491	(003000-	) Bracket, Adjuster, Brake	1	
13	76490	(003000-	) Rod-Thread, 2End M08X1.25X10Lg	1	
14	79593	(003000-	) Tube Assy, Brake	1	
15	79594	(003000-	) Tube Assy, Brake	1	
16	375526	(003000-	) Insulation, S/Foam 1.0 Seal Brake Pedal	1	
17	70506	(003000-	) Bar, Equalizer	1	
18	64556	(003000-	) Cable, Brake, Park	1	
19	64558	(003000-	) Cable, Brake, Park	1	
20	65129	(003000-	) Clamp, Cable- Brake	2	
21	75575	(003000-	) Spring, Tens,0.5Dx.06Wire 2.5L	1	
22	31775	(003000-	) Molding, Trim 11-14Ga 4.0	1	
23	74022	(003000-	) Strip, Retainer, Brake Cable	1	
24	51545	(003000-	) Lever, Brake	1	
25	380717	(003000-	) Insulation, Sound Foam	1	
26	39279	(003000-	) Screw, Hex, M8 X 1.25 X 70, 8.8	2	
27	32491	(003000-	) Washer, Flat, 0.31 Std	2	
28	16735	(003000-	) Screw, Hex, M8 X 1.25 X 16, 8.8	4	

**Fig. 69 - Directional Pedal Group**

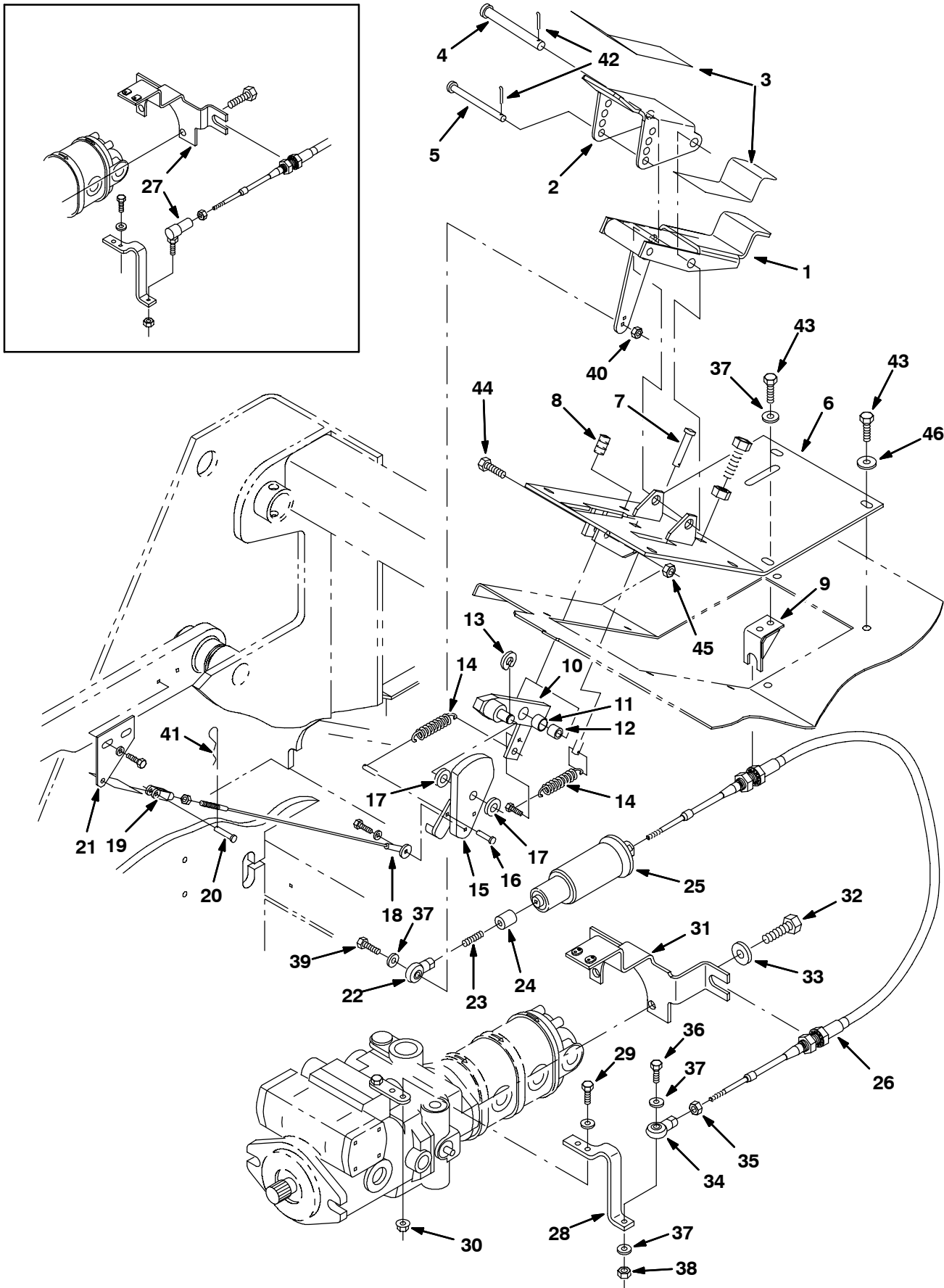




Fig. 69 - Directional Pedal Group

Ref.	Part No.	Serial Number	Description	Qty.
1	380683	(003000-	) Pedal Wldt, Propel Lower W/tread	1
2	84103	(003000-	) Pedal, Upper W/tread	1
3	82839	(003000-	) Pad, Tread	1
4	59668	(003000-	) Pin, Clevis .50 Dia X 4.50 Lg	1
5	59672	(003000-	) Pin, Clevis .31 Dia X 4.50 Lg	1
6	380566	(003000-	) Panel Wldt, Access Floor	1
7	76647	(003000-	) Pin, Clevis .375D X 1.312 Lg	1
8	76523	(003000-	) Screw-Set M10 X 1.50 2045H	1
9	380567	(003000-	) Bracket, Wldt,Cable Mtg	1
10	70747	(003000-	) Bar Wldt, Pivot	1
11	07449	(003000-	) Bearing, Fiberglide	1
12	74051	(003000-	) Sleeve, .408B .62D .53Stl	1
13	86953	(003000-	) Ring,Retain,Ex,0.50 Stl Steel	1
14	54222	(003000-	) Sprng,Tens,1.00Odx.09Wire 2.8L	2
15	70783	(003000-	) Cam	1
16	82168	(003000-	) Pin, Clevis .25 Dia, 1.000 Lg.	1
17	41722	(003000-	) Washer, .516B .90D .07Cr.	2
18	70749	(003000-	) Cable, Speed Control	1
19	14595-1	(003000-	) Clevis,Adjust.0.25-28Th.Cad.	1
20	14605	(003000-	) Pin, Clevis	1
21	70725	(003000-	) Plate	1
22	68866	(003000-	) Rod End .250-28 .25Dia	1
23	36971	(003000-	) Rod-Thrd, Full .25-28	1
24	380568	(003000-	) Spacer, .75D .9L .25-28 Th	1
25	63292	(003000-	) Spring, Propel, Centering	1
26	63276	(003000-	) Cable, Push,Pull	1
27	9001293	(003000-004034	) Bracket Kit, Mtg, Cable, Replmt[800/810]	1
28	380514	(003000-	) Lever, Pump, Propel	1
29	06943	(003000-	) Screw, Hex, M6 X 1.0 X 20, 8.8	2
30	07790	(003000-	) Nut, Hex, Flng, M6 X 1.0	2
31	1020982	(004035-	) Bracket, Mtg, Propel Cable	1
32	21198	(003000-	) Screw, Hex, .38-16 X 1.25, 5	2
33	32485	(003000-	) Washer, Flat, 0.38 Sae	2
34	68866	(004035-	) Rod-End, .25-28rh Fem 0.25b [Teflon]	1
35	32899	(003000-	) Nut, Hex, Jam, .25-28	1
36	25046	(004035-	) Screw, Hex, .25-20 X 1.00, 5	1
37	32490	(004035-	) Washer, Flat, 0.25 Std	5
38	41169	(004035-	) Nut, Hex, Lock, .25-20, NI, Ss	1
39	07805	(003000-	) Screw, Hex, M6 X 1.0 X 35, Ss	1
40	08712	(003000-	) Nut, Hex, Lock, M6 X 1.0, Ss, NI	1
41	08085	(003000-	) Pin, Haircotter .31D .058Wire	1
42	08346	(003000-	) Pin, Cotter, .125 X 0.75	2
43	12273	(003000-	) Screw, Hex, M8 X 1.25 X 20, Ss, NI	9
44	39285	(003000-	) Screw, Hex, M10 X 1.5 X 40, 8.8	1
45	41430	(003000-	) Nut, Hex, Lock, M10 X 1.5, NI	1
46	1017218	(003000-	) Washer, Flat, 0.321b 1.00d .12, Ss	7

Fig. 70 - Hydraulic Pumps Group

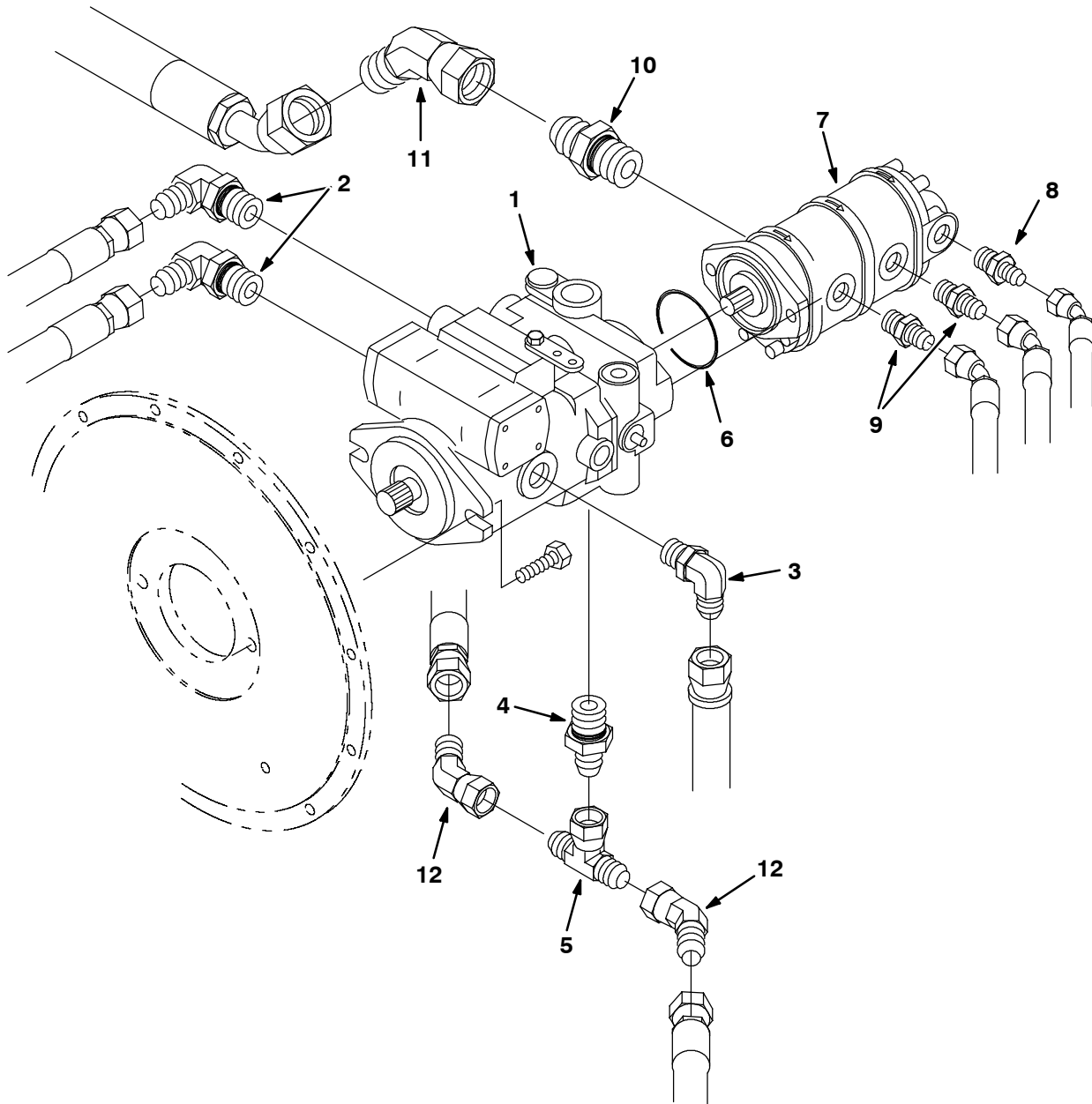


Fig. 70 - Hydraulic Pumps Group

Ref.	Part No.	Serial Number	Description	Qty.
1	74163	(003000-003106 )	Pump-Hyd Piston V (See Breakdowns)	1
1	373404	(003107- )	Pump-Hyd Piston V (See Breakdowns)	1
2	52911	(003000- )	Ftg-Hyd E90 Jm12/Om16	2
3	46481	(003000- )	Ftg-Hyd E90 Jm12/Om12	1
4	67310	(003000- )	Ftg-Hyd Str Jm12/Om16	1
5	62389	(003000- )	Ftg-Hyd Tee Jm12/Jfjm	1
6	65145-1	(003000- )	O-Ring Gland	1
7	62561	(003000-003178 )	Pump-Hyd Gear Ex (See Breakdowns)	1
7	373254	(003179- )	Pump-Hyd Gear Ex (See Breakdowns)	1
8	47508	(003000- )	Ftg-Hyd Str Jm06/Om10	1
9	56692	(003000- )	Ftg-Hyd Str Jm08/Om10	2
10	58858	(003000- )	Ftg-Hyd Str Jm20/Om20	1
11	19544	(003000- )	Ftg-Hyd E45 Jm20/Jf20	1
12	07934	(003000- )	Ftg-Hyd E45 Jm12/Jf12	2

Fig. 71 - Hydraulic Schematic

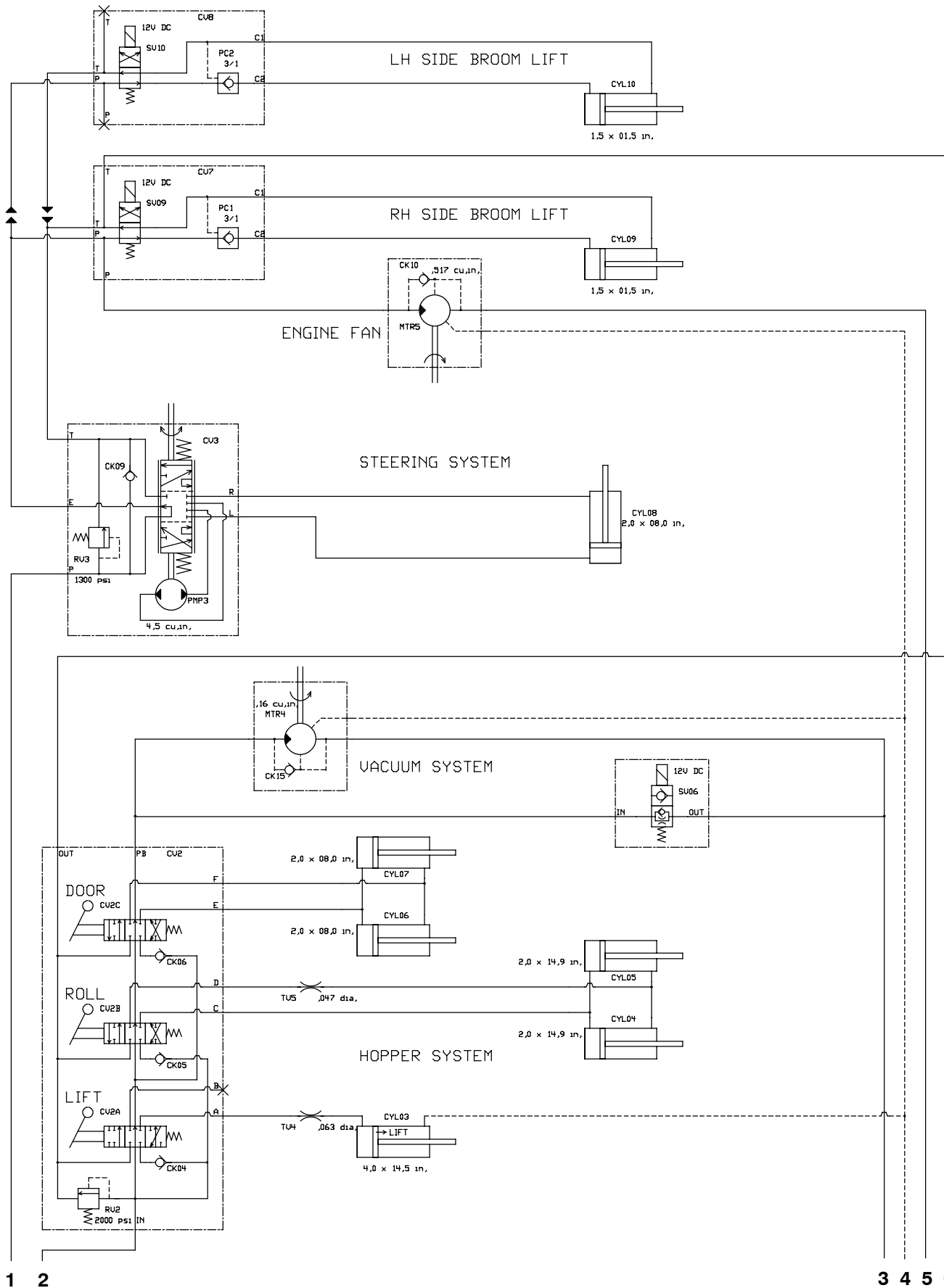
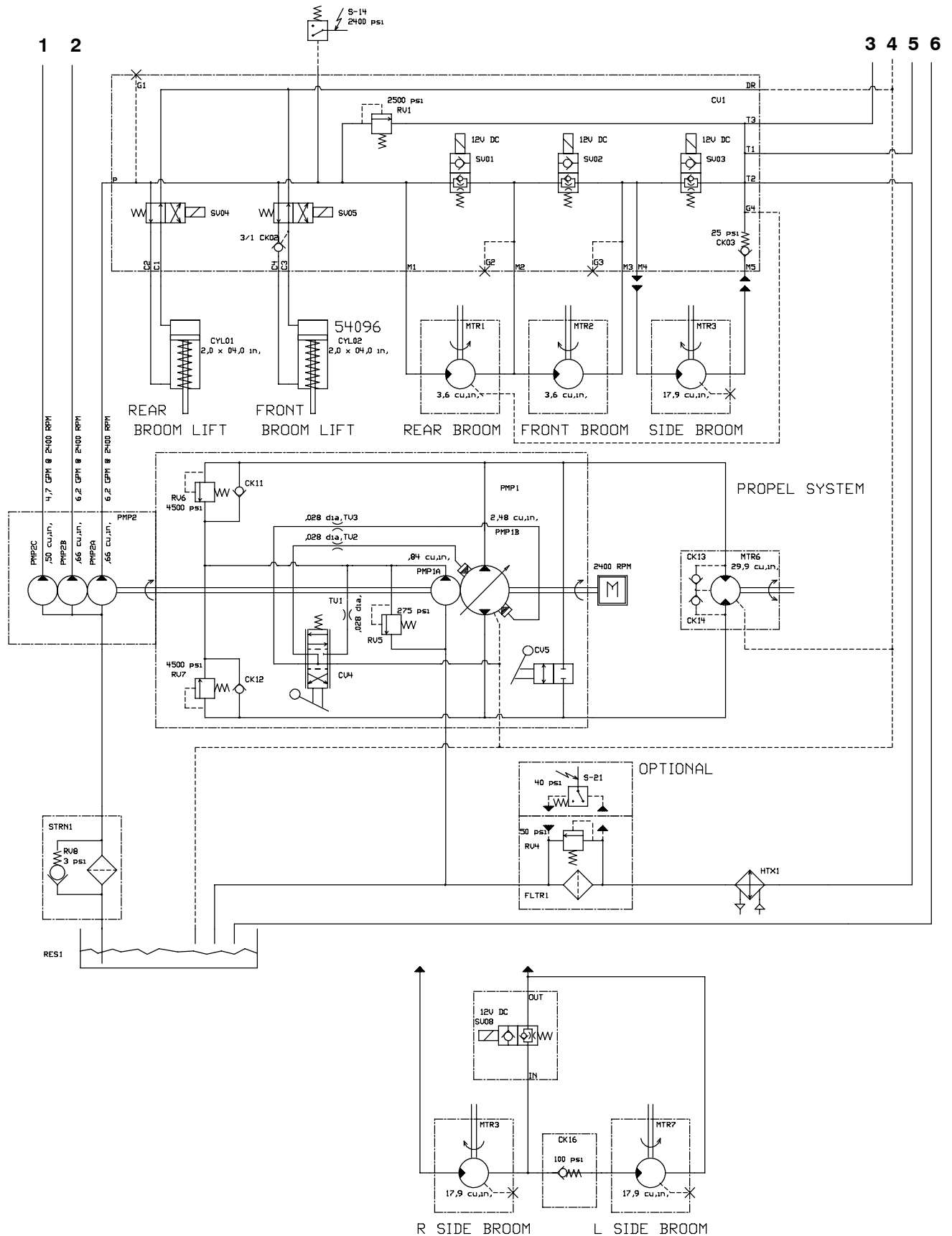


Fig. 71 - Hydraulic Schematic



09911 - 810

**Fig. 72 - Hydraulic Hose Group (003000-003178)**

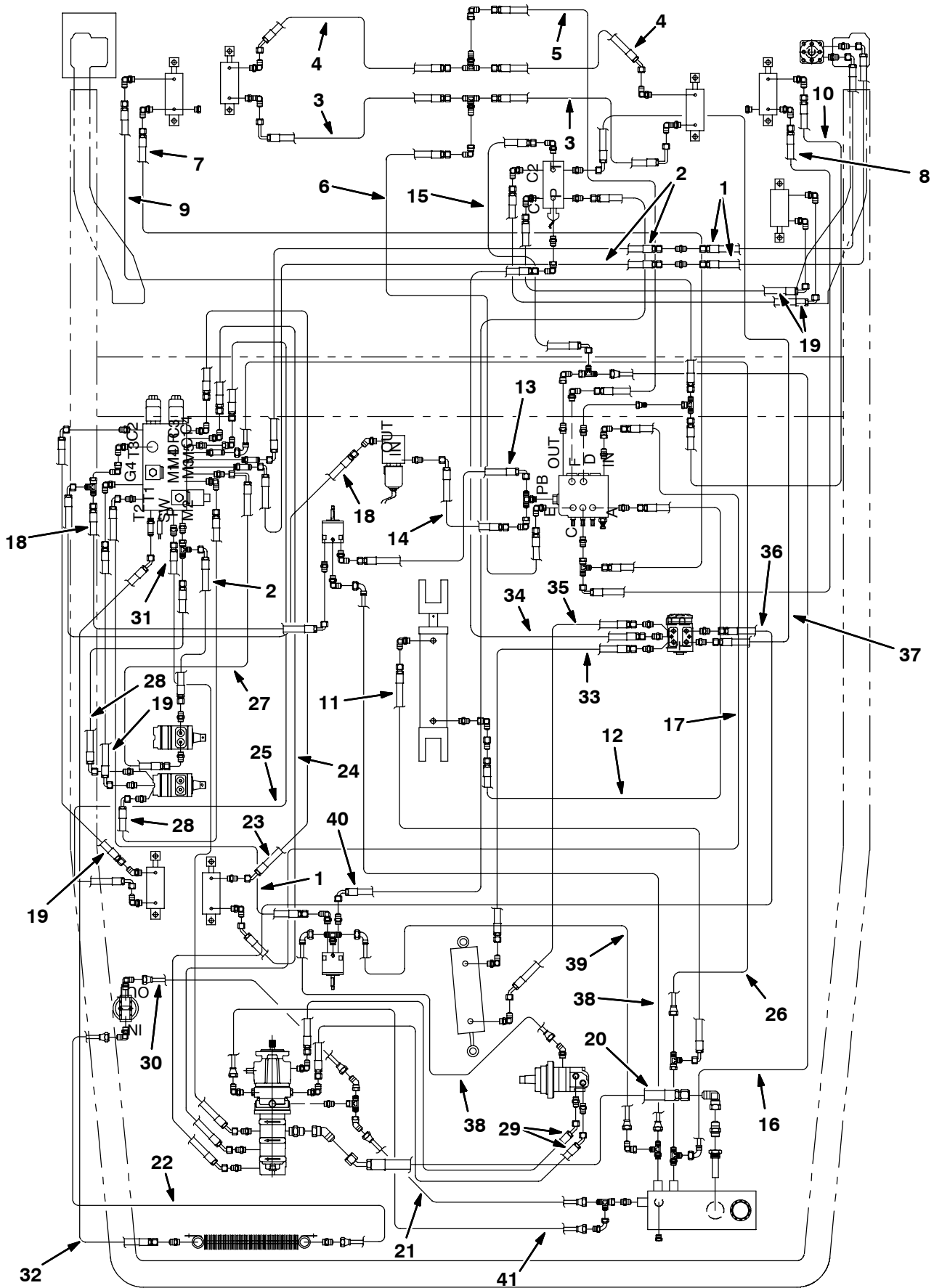


Fig. 72 - Hydraulic Hose Group (003000-003178)

Ref.	Part No.	Serial Number	Description	Qty.
1	65194	(003000-003178 )	Hose-Hyd Med06	3
2	65197	(003000-003178 )	Hose-Hyd Med08	3
3	65188	(003000-003178 )	Hose-Hyd	2
4	57173	(003000-003178 )	Hose-Hyd Med04 Jf/J4	2
5	76498	(003000-003178 )	Hose-Hyd Ar 04	1
6	79642	(003000-003178 )	Hose-Hyd Ar04	1
7	21117	(003000-003178 )	Hose-Hyd Ar 04	1
8	21119	(003000-003178 )	Hose-Hyd Ar 04	1
9	77641	(003000-003178 )	Hose-Hyd Ar 04	1
10	77640	(003000-003178 )	Hose-Hyd Ar 04	1
11	71552	(003000-003178 )	Hose-Hyd	1
12	55700	(003000-003178 )	Hose-Hyd Med04 Jf/Jf	1
13	82843	(003000-003178 )	Hose-Hyd Med08 Jf/J9	1
14	82820	(003000-003178 )	Hose-Hyd Med78 Jf/J9	1
15	65195	(003000-003178 )	Hose-Hyd Med06	1
16	65212	(003000-003178 )	Hose-Hyd Low06	1
17	65204	(003000-003178 )	Hose-Hyd Med08	1
18	34355	(003000-003178 )	Hose-Hyd Med08 Jf/J9	2
19	57963	(003000-003178 )	Hose-Hyd Med04	4
20	77473	(003000-003178 )	Hose-Hyd Suc20 Spcl 22.5	1
21	65202	(003000-003178 )	Hose-Hyd Low12	1
22	82835	(003000-003178 )	Hose-Hyd Low12 Jf/Jf	1
23	65207	(003000-003178 )	Hose-Hyd	1
24	65206	(003000-003178 )	Hose-Hyd Med04	1
25	34379	(003000-003178 )	Hose-Hyd Med04 Jf/J9	1
26	65213	(003000-003178 )	Hose-Hyd Low06	1
27	65198	(003000-003178 )	Hose-Hyd Med08	1
28	34360	(003000-003178 )	Hose-Hyd Med08 Jf/J9	2
29	65201	(003000-003178 )	Hose-Hyd Med12	2
30	65205	(003000-003178 )	Hose-Hyd Low12	1
31	33799	(003000-003178 )	Hose-Hyd Med08 Jf/J4	1
32	65199	(003000-003178 )	Hose-Hyd Med12	1
33	01987	(003000-003178 )	Hose-Hyd Med06 Jf/Jf	1
34	16431	(003000-003178 )	Hose-Hyd Med06 Jf/Jf	1
35	76497	(003000-003178 )	Hose-Hyd Med06	1
36	65191	(003000-003178 )	Hose-Hyd Med06	1
37	57944	(003000-003178 )	Hose-Hyd Med06 Jf/J9	1
38	21729	(003000-003178 )	Hose-Hyd Low04 Jf/J9	2
39	65196	(003000-003178 )	Hose-Hyd Low 04	1
40	31563	(003000-003178 )	Hose-Hyd Med06 Jf/J9	1
41	380675	(003000-003178 )	Hose-Hyd Low12 Jf/jf	1

**Fig. 73 - Hydraulic Hose Group (003179- )**

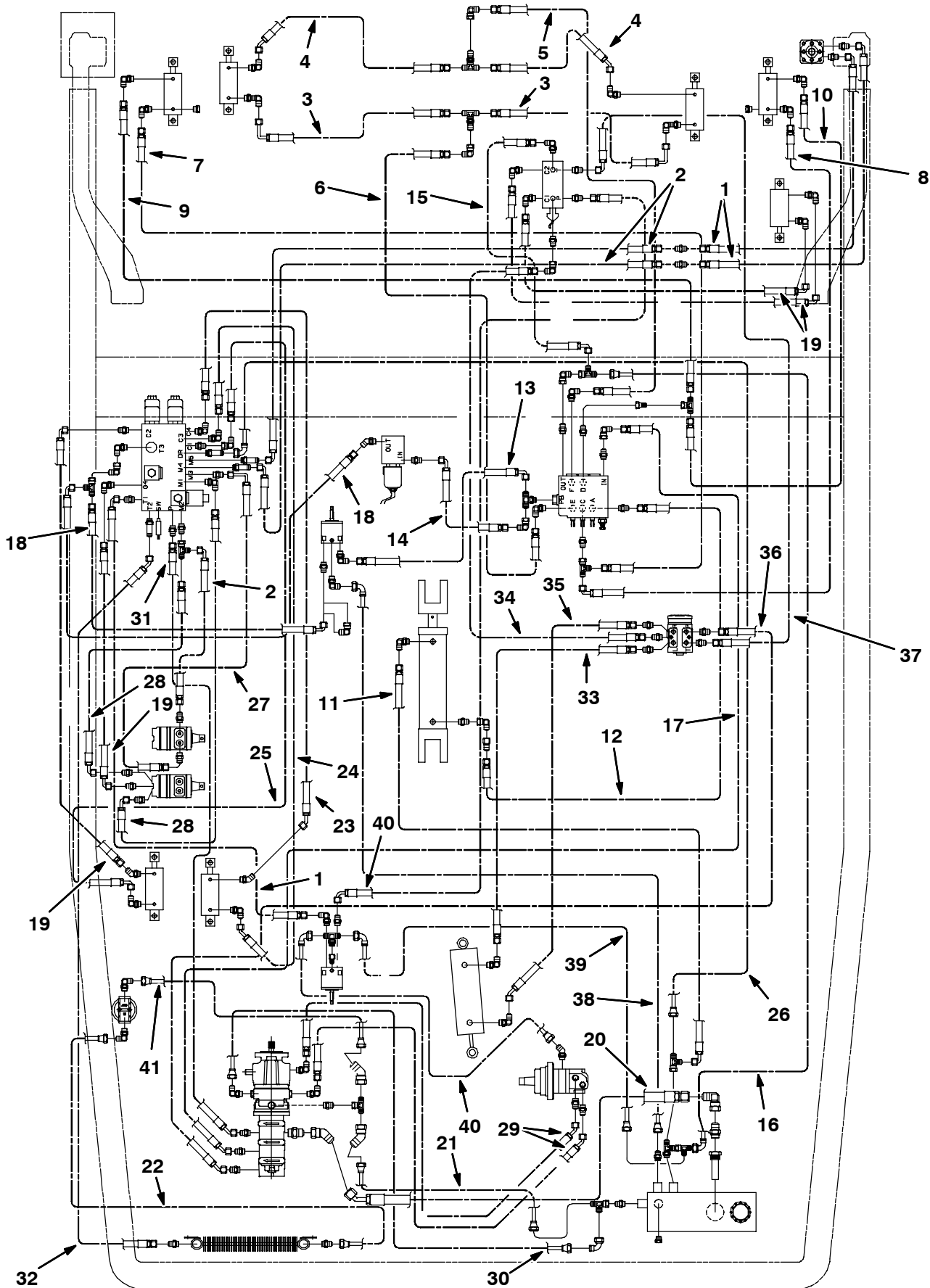




Fig. 73 - Hydraulic Hose Group (003179- )

Ref.	Part No.	Serial Number	Description	Qty.
1	65194	(003179-	) Hose-Hyd Med06	3
2	65197	(003179-	) Hose-Hyd Med08	3
3	65188	(003179-	) Hose-Hyd	2
4	57173	(003179-	) Hose-Hyd Med04 Jf/J4	2
5	76498	(003179-	) Hose-Hyd Ar 04	1
6	79642	(003179-	) Hose-Hyd Ar04	1
7	21117	(003179-	) Hose-Hyd Ar 04	1
8	21119	(003179-	) Hose-Hyd Ar 04	1
9	77641	(003179-	) Hose-Hyd Ar 04	1
10	77640	(003179-	) Hose-Hyd Ar 04	1
11	71552	(003179-	) Hose-Hyd	1
12	55700	(003179-	) Hose-Hyd Med04 Jf/Jf	1
13	82843	(003179-	) Hose-Hyd Med08 Jf/J9	1
14	82820	(003179-	) Hose-Hyd Med78 Jf/J9	1
15	65195	(003179-	) Hose-Hyd Med06	1
16	65212	(003179-	) Hose-Hyd Low06	1
17	65204	(003179-	) Hose-Hyd Med08	1
18	34355	(003179-	) Hose-Hyd Med08 Jf/J9	2
19	57963	(003179-	) Hose-Hyd Med04	4
20	77473	(003179-	) Hose-Hyd Suc20 Spcl 22.5	1
21	57568	(003179-	) Hose-Hyd Low12	1
22	82835	(003179-	) Hose-Hyd Low12 Jf/Jf	1
23	65207	(003179-	) Hose-Hyd	1
24	65206	(003179-	) Hose-Hyd Med04	1
25	34379	(003179-	) Hose-Hyd Med04 Jf/J9	1
26	65213	(003179-	) Hose-Hyd Low06	1
27	65198	(003179-	) Hose-Hyd Med08	1
28	34360	(003179-	) Hose-Hyd Med08 Jf/J9	2
29	65201	(003179-	) Hose-Hyd Med12	2
30	65205	(003179-	) Hose-Hyd Low12	1
31	33799	(003179-	) Hose-Hyd Med08 Jf/J4	1
32	65199	(003179-	) Hose-Hyd Med12	1
33	01987	(003179-	) Hose-Hyd Med06 Jf/Jf	1
34	16431	(003179-	) Hose-Hyd Med06 Jf/Jf	1
35	76497	(003179-	) Hose-Hyd Med06	1
36	65191	(003179-	) Hose-Hyd Med06	1
37	57944	(003179-	) Hose-Hyd Med06 Jf/J9	1
38	21729	(003179-	) Hose-Hyd Low04 Jf/J9	1
39	31603	(003179-	) Hose-Hyd Low 04	1
40	31563	(003179-	) Hose-Hyd Med06 Jf/J9	2
41	380675	(003179-	) Hose-Hyd Low12 Jf/jf	1

**Fig. 74 - Hydraulic Reservoir Group**

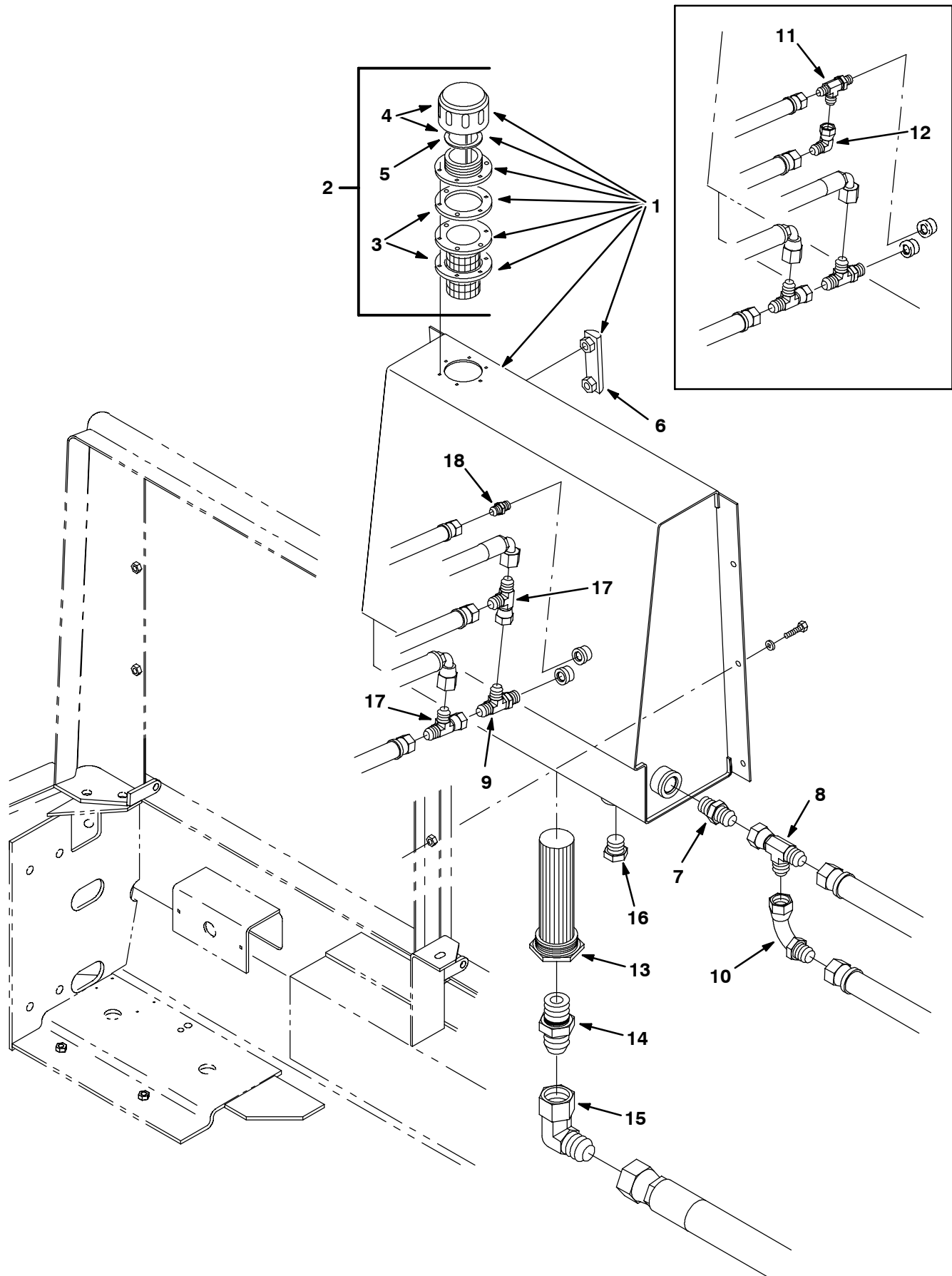


Fig. 74 - Hydraulic Reservoir Group

Ref.	Part No.	Serial Number	Description	Qty.
▽	1	380736	(003000- ) Tank Wldt, Hydraulic w/label	1
▲▽	2	34306	(003000- ) Breather, Hyd	1
▲▲	3	61288	(003000- ) Gasket, Hyd Tank Breather	2
▲▲	4	70072	(003000- ) Breather Cap and Gasket	1
▲▲	5	70006	(003000- ) Gasket, Hyd Cap	1
▲	6	65215	(003000- ) Gauge, Sight Lh	1
	7	42260	(003000- ) Ftg-Hyd Str Jm12/Om12	1
	8	40514	(003000- ) Ftg-Hyd Tee Jm12Jmjf	1
	9	76316	(003000- ) Ftg-Hyd Tee Jm06Jmom	1
	10	57994	(003000- ) Ftg-Hyd E90 Special Jm12/Jf12	1
	11	34390	(003000-003178 ) Ftg-Hyd Tee Jm04Jmom	1
	12	39210	(003000-003178 ) Ftg-Hyd E90 Jm04/Jf04	1
	13	31613	(003000- ) Strainer-Hyd Suction 25-100-03	1
	14	58858	(003000- ) Ftg-Hyd Str Jm20/Om20	1
	15	19459	(003000- ) Ftg-Hyd E90	1
	16	33817	(003000- ) Ftg-Hyd Plg Om12	1
	17	42215	(003179- ) Ftg-Hyd Tee Jm06Jmjf	2
	18	55586	(003179- ) Fitting, Hyd, Str, Jm04/Om04	1

**Fig. 75 - Hydraulic Solenoid Valve Group**

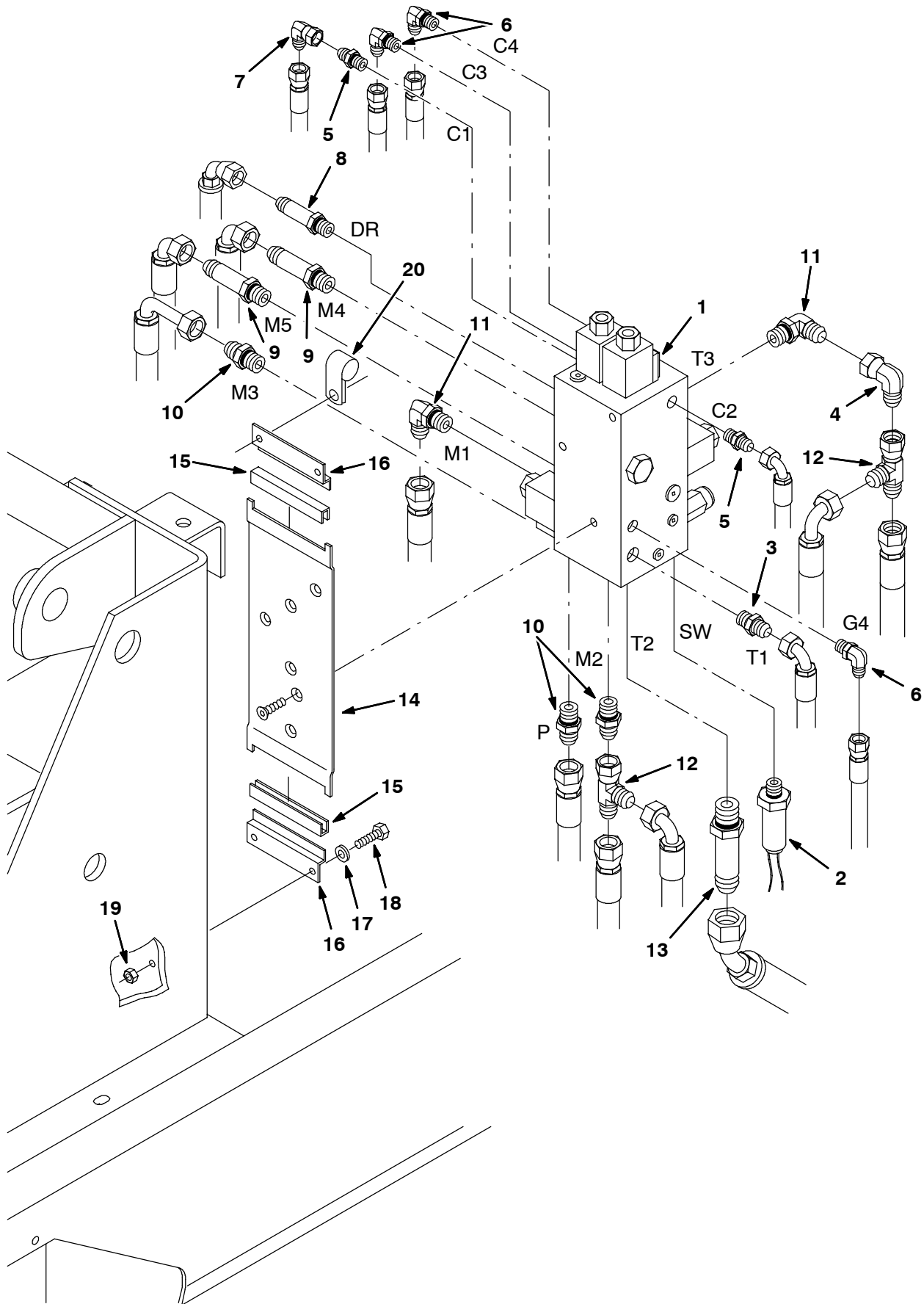


Fig. 75 - Hydraulic Solenoid Valve Group

Ref.	Part No.	Serial Number	Description	Qty.
1	84013	(003000-005041 )	Valve-Hyd, Solenoid (See Breakdowns)	1
1	1049209	(005042- )	Valve, Cntrl, Hyd, Solenoid, 12vdc 08gpm (See Break-downs)	1
2	77575	(003000- )	Switch Assy, Pressure, Hyd	1
3	56690	(003000- )	Ftg-Hyd Str Jm06/Om06	1
4	17980	(003000- )	Ftg-Hyd E90 JM08/JF08	1
5	55586	(003000- )	Ftg-Hyd Str Jm04/Om04	2
6	77097	(003000- )	Ftg-Hyd E90 Jm04/Om04	3
7	39210	(003000- )	Ftg-Hyd E90 Jm04/Jf04	1
8	59577	(003000- )	Ftg-Hyd Str Jm06Om06L	1
9	31605	(003000- )	Ftg-Hyd Str Jm08Om08L	2
10	44869	(003000- )	Ftg-Hyd Str Jm08/Om08	3
11	44868	(003000- )	Ftg-Hyd E90 Jm08/Om08	2
12	45482	(003000- )	Ftg-Hyd Tee Jm08Jmjf	2
13	57993	(003000- )	Ftg-Hyd Str Jm12Om12L	1
14	64228	(003000- )	Plate, Mtg, Valve, Solenoid	1
15	10911	(003000- )	Isolator, Vac Fan	2
16	06146	(003000- )	Bracket, Mounting	2
17	19066	(003000- )	Washer, Flat, #10	4
18	06943	(003000- )	Screw, Hex, M6 X 1.0 X 20, 8.8	4
19	07790	(003000- )	Nut, Hex, Flng, M6 X 1.0	4
20	69234	(004000- )	Clamp, Cable, Stl, 1.00d X 0.75w, 1h	1

**Fig. 76 - Hydraulic Lift Valve Group**

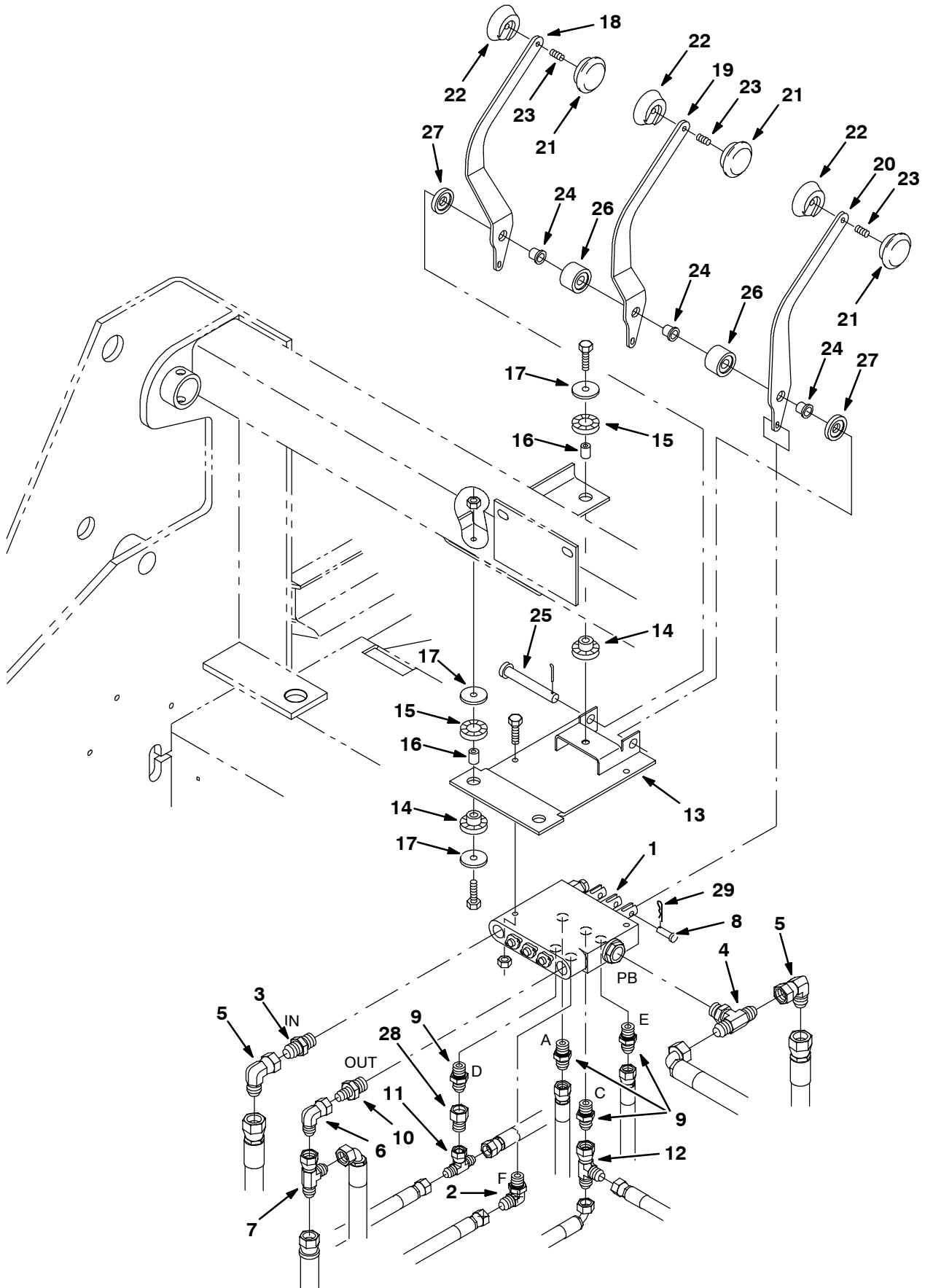


Fig. 76 - Hydraulic Lift Valve Group

Ref.	Part No.	Serial Number	Description	Qty.
1	375563	(003000-	) Valve, Hyd Control Man (See Breakdowns)	1
2	47638	(003000-	) Ftg-Hyd E90 Jm04/Om06	1
3	44869	(003000-	) Ftg-Hyd Str Jm08/Om08	1
4	49933	(003000-	) Ftg-Hyd Tee Jm08Omjm	1
5	17980	(003000-	) Ftg-Hyd E90 Jm08/Jf08	2
6	47504	(003000-	) Ftg-Hyd E90 Jm06/Jf06	1
7	42215	(003000-	) Ftg-Hyd Tee Jm06Jmjf	2
8	77488	(003000-	) Pin, Clevis .18 Dia.X .62 Lg	3
9	55685	(003000-	) Ftg-Hyd Str Jm04/Om06	3
10	52402	(003000-	) Ftg-Hyd Str Jm06/Om08	1
11	57411	(003000-	) Ftg-Hyd Tee Jm04Jfjm	1
12	57988	(003000-	) Ftg-Hyd Tee Jm04Jmjf	1
13	77485	(003000-	) Bracket Wldt, Mounting, Valve	1
14	62173	(003000-	) Bushing, Isolator-Inner,Rbr.	3
15	62172	(003000-	) Ring	3
16	64905	(003000-	) Sleeve, .259B .38D .62 Dom	3
17	1014491	(003000-	) Washer, Flat, 0.28b 1.38d .12, Hrs Pl	5
18	77491	(003000-	) Handle, Rh	1
19	77492	(003000-	) Handle, Center	1
20	77493	(003000-	) Handle, Lh	1
21	64434	(003000-	) Knob	3
22	70827	(003000-	) Knob	3
23	70847	(003000-	) Screw Set M 6X1.020	3
24	36556	(003000-	) Bearing, Nylon .50B	3
25	06474A	(003000-	) Pin,Clevis,0.50 Dia.X 3.50 Lg	1
26	77498	(003000-	) Spacer, .90L	2
27	77499	(003000-	) Spacer, .25 L	2
28	16455	(003000-	) Ftg-Hyd Rst JM04/.047	1
29	08085	(003000-	) Pin, Haircotter .31d .058wire	3

Fig. 77 - Brush Group, Side

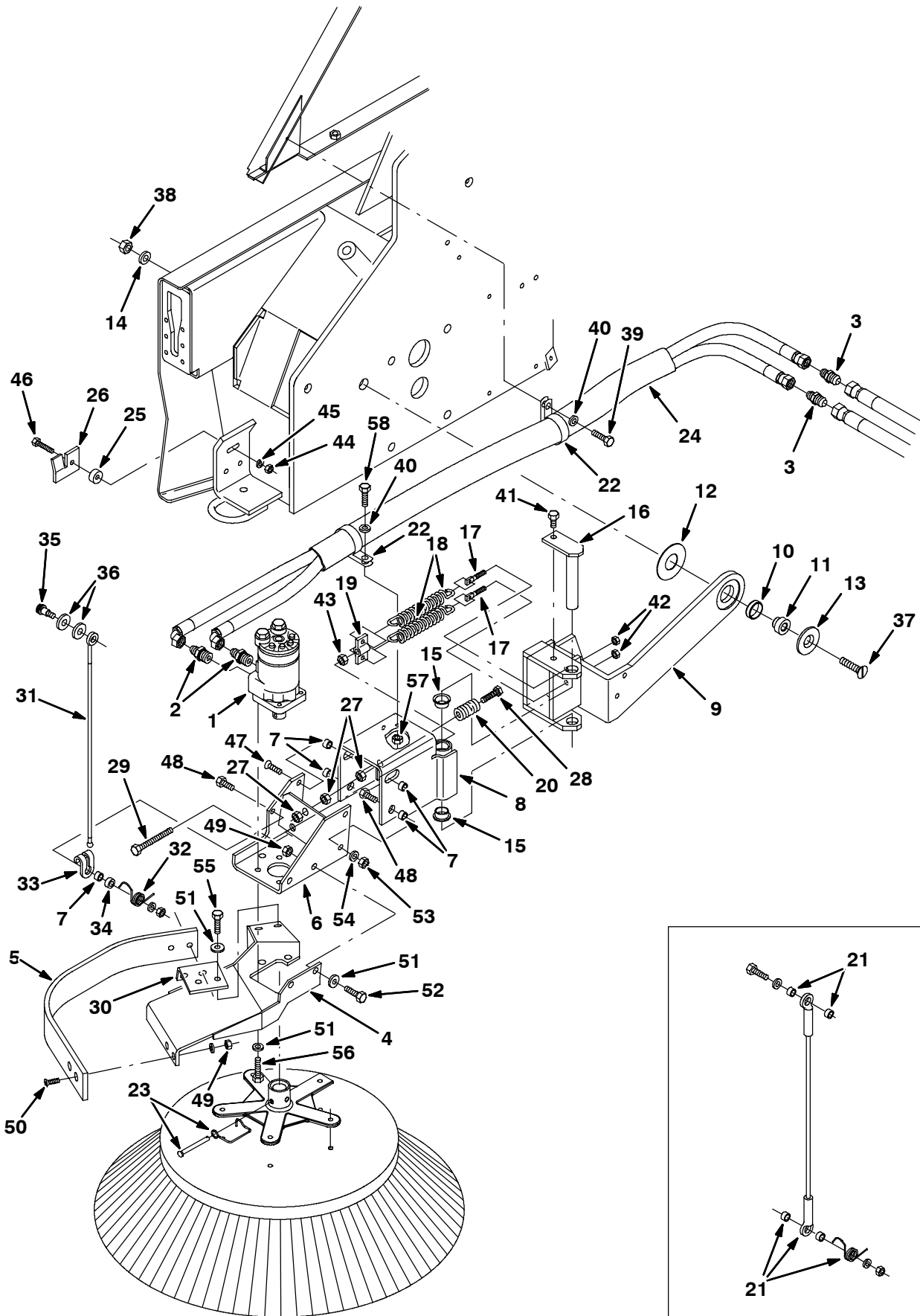




Fig. 77 - Brush Group, Side

Ref.	Part No.	Serial Number	Description	Qty.
1	79781	(003000-	) Motor, Hyd, (See Breakdowns)	1
2	47508	(003000-	) Ftg-Hyd Str Jm06/Om10	2
3	42207	(003000-	) Ftg-Hyd Str Jm08/Jm06	2
4	21224	(003000-	) Guard Wldt, Side Brush	1
5	21238	(003000-	) Guard, Side Brush	1
6	65168	(003000-	) Bracket, Mounting, Motor	1
7	65174	(003000-	) Spacer	5
8	65170	(003000-	) Bracket, Pivot	1
9	70521	(003000-	) Bracket, Lift	1
10	70627	(003000-	) Bearing	1
11	70526	(003000-	) Shaft, Pivot	1
12	70524	(003000-	) Washer, 1.300B 3.000	1
13	70525	(003000-	) Spacer	1
14	36328	(003000-	) Washer-Belleville .50 Pltd	1
15	04761	(003000-	) Bearing, Flange .875 Bore	2
16	70431	(003000-	) Pin	1
17	70626	(003000-	) Bolt-Eye M8-1.25	2
18	65160	(003000-	) Spring, Extension	2
19	65173	(003000-	) Bracket, Spring	1
20	65180	(003000-	) Spring, Comp	1
21	375400	(003000- xxxxxx	) Replacement Kit, Rh. Side Brush Cable	1
22	67366	(003000-	) Clamp, Cable, Stl, 1.0x2.0x0.62w, 1hole	1
23	84581	(003000-	) Pin Assy, Side Brush W/clip	1
24	75028	(003000-	) Sleeve, Nylon #27 65.0L	1
25	74059	(003000-	) Spacer	1
26	74060	(003000-	) Bracket, Angle	1
27	07787	(004000-	) Nut, Hex, Std, M10 X 1.5, Ss	3
28	06537	(003000-	) Screw-Hex M10X1.5	1
29	76438	(003000-	) Screw-Hex M10X1.5 90 Full Thd	1
30	21215	(003000-	) Plate, Angle	1
31	375401	( xxxxxx-	) Cable	1
32	375402	( xxxxxx-	) Spring, Torsion, Rh	1
33	1017898	( xxxxxx-	) Hook, Cable, .44d Ball	1
34	375404	( xxxxxx-	) Spacer	1
35	36758	( xxxxxx-	) Bolt, Shld, .50d X 0.50, .38-16	1
36	32486	( xxxxxx-	) Washer	2
37	20192	(003000-	) Screw, Flt, .50-13 X 2.00, Al	1
38	32985	(003000-	) Nut, Hex, Lock, .50-13, NI	1
39	12459	(003000-	) Screw, Hex, M6 X 1.0 X 20, Fmg	1
40	41185	(003000-	) Washer, Belleville, .25	1
41	09291	(003000-	) Screw, Hex, M10 X 1.5 X 20, Ss	1
42	39311	(003000-	) Nut, Hex, Std, M8 X 1.25	2
43	39312	(003000-	) Nut, Hex, Std, M10 X 1.5	1
44	08709	(003000-	) Nut, Hex, Lock, M8 X 1.25, NI	1
45	32496	(003000-	) Screw, Pan, #10-24 X 0.50, Fmg	1
46	41342	(003000-	) Screw, Hex, M8 X 1.25 X 40, 8.8	1
47	06535	(003000-	) Screw, Flt, M10 X 1.5 X 35, 10.9	1
48	39284	(003000-	) Screw, Hex, M10 X 1.5 X 35, 8.8	3
49	07792	(003000-	) Nut, Hex, Flng, M10 X 1.5	8
50	09081	(003000-	) Screw, Flt, M10 X 1.5 X 25, 10.9	4

**Fig. 77 - Brush Group, Side**

<b>Ref.</b>	<b>Part No.</b>	<b>Serial Number</b>	<b>Description</b>	<b>Qty.</b>
51	32485	(003000-	) Washer, Flat, 0.38 Sae	9
52	39283	(003000-	) Screw, Hex, M10 X 1.5 X 25, 8.8	2
53	41430	(003000-	) Nut, Hex, Lock, M10 X 1.5, NI	4
54	32492	(003000-	) Washer, Flat, 0.38 Std	7
55	09770	(003000-	) Screw, Hex, M10 X 1.5 X 25, Ss, NI	4
56	34195	(003000-	) Screw, Hex, .38-16 X 1.00, NI	4
57	07790	(003000-	) Nut, Hex, Flng, M6 X 1.00	1
58	06944	(003000-	) Screw, Hex, M6 X 1.0 X 25, 8.8	1



**Fig. 78 - Brush Lift Group, Side**

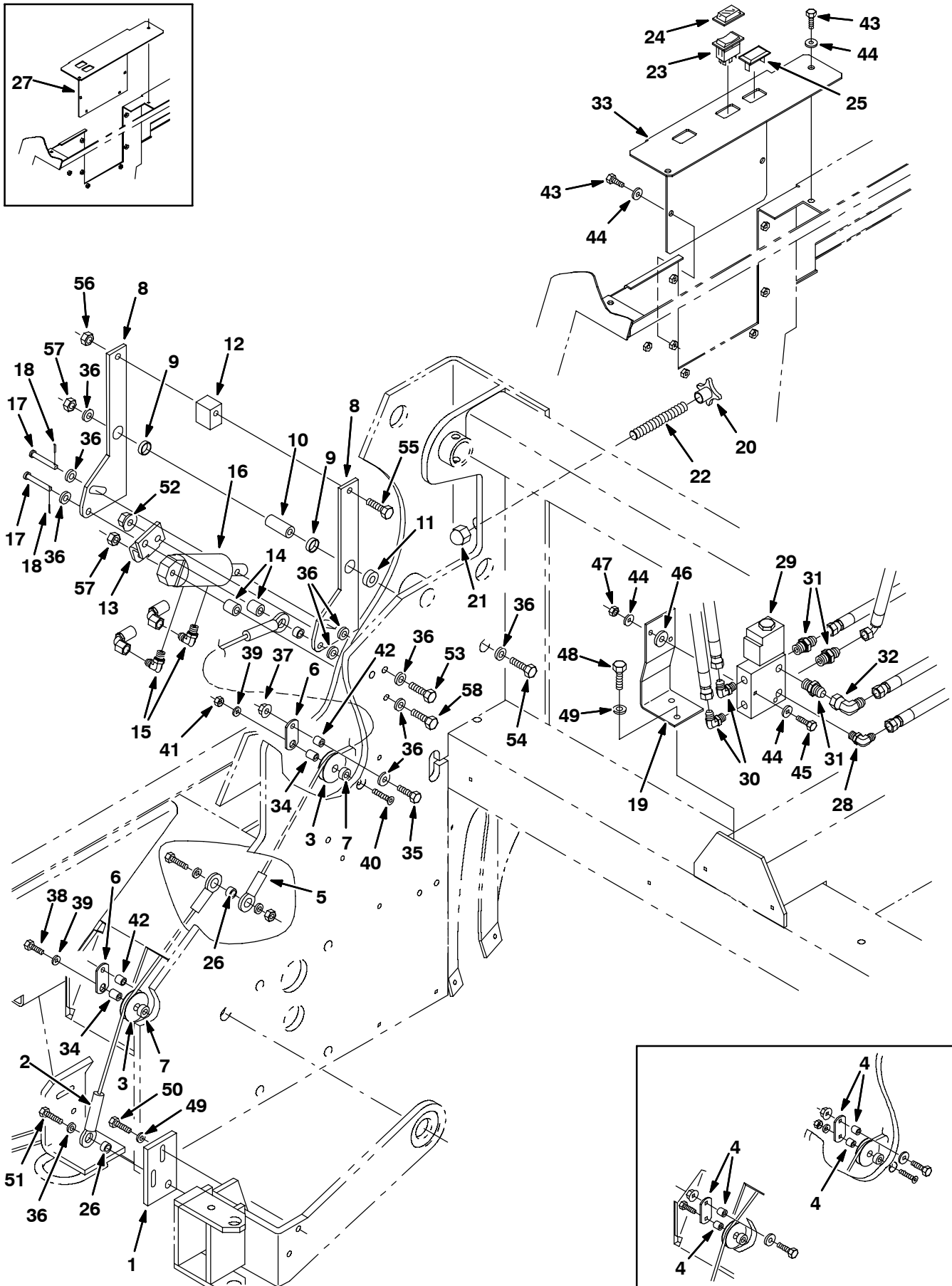


Fig. 78 - Brush Lift Group, Side

Ref.	Part No.	Serial Number	Description	Qty.
1	77669	(003000-	) Plate Wldt	1
2	70532	(003000-	) Cable, Glv .25d 021.2l .63eye /.63eye	1
3	74391	(003000-	) Pulley Assy, Cable, 1.5 Dia	2
4	375416	(003000- xxxxxx	) Replacement Kit, Roller, Side Brush Lift	1
5	23936	(003000-	) Cable, Glv .25d 016.8l .64eye /.64eye	1
6	375415	( xxxxxx-	) Plate, Side Brush Roller	2
7	73737	(003000-	) Sleeve, .375B .75D .32 Stl	2
8	77584	(003000-	) Plate	2
9	74090	(003000-	) Bearing	2
10	77597	(003000-	) Sleeve, 0.406B 0.75D1.80 Stl	1
11	77727	(003000-	) Sleeve, .438B 1.00D .35 Stl	1
12	77459	(003000-	) Spacer	1
13	77601	(003000-	) Plate, Angle	1
14	77600	(003000-	) Sleeve,0.406B .750D .800 Stl	1
15	77097	(003000-	) Ftg-Hyd E90 Jm04/Om04	2
16	1041034	(003000-	) Cylinder, Hyd 1.5B 1.5S 2500	1
17	51813	(003000-	) Pin,Clevis,0.37 Dia.X 2.12 Lg	2
18	08179	(003000-	) Pin, Cotter .094X1.00	2
19	21231	(003000-	) Plate	1
20	77605	(003000-	) Knob, Plastic	1
21	41131	(003000-	) Nut Low Crown .62-18	1
22	77682	(003000-	) Rod, Thread	1
23	65561	(003000-	) Switch Rocker Spst	1
24	57807	(003000-	) Cover, Rocker Switch Seal	1
25	57772	(003000-	) Plate-Cover	1
26	65174	(003000-	) Spacer	3
27	21109	(003000-003057	) Plate, Cover	1
28	56820	(003000-	) Ftg-Hyd E90	1
29	84016	(003000-005041	) Valve, Hyd Solenoid (See Breakdowns)	1
29	1049211	(005042-	) Valve, Cntrl, Hyd, Solenoid, 12vdc 06gpm (See Break-downs)	1
30	77097	(003000-	) Ftg-Hyd E90 Jm04/Om04	2
31	56690	(003000-	) Ftg-Hyd str	3
32	47504	(003000-	) Ftg-Hyd E90	1
33	375666	(003058-	) Plate, Cover	1
34	80395	( xxxxxx-	) Sleeve, P/M, 0.496d 0.318b 0.65l 430ss	2
35	76570	( xxxxxx-	) Screw, Hex m08	2
36	32492	( xxxxxx-	) Washer, Flat	12
37	07791	( xxxxxx-	) Nut, Hex, Flange	2
38	41342	( xxxxxx-	) Screw, Hex m08	2
39	33924	( xxxxxx-	) Washer, Flat m10	2
40	09028	( xxxxxx-	) Screw, Hex m10	1
41	32715	( xxxxxx-	) Nut, Hex Lock m10	1
42	222460	( xxxxxx-	) Sleeve, P/M, 0.496d 0.318b 0.50l 430ss	2
43	06943	(003000-	) Screw, Hex, M6 X 1.0 X 20, 8.8	4
44	19066	(003000-	) Washer, Flat, #10	8
45	06548	(003000-	) Screw, Hex, M6 X 1.0 X 60, 8.8	2
46	63416	(003000-	) Washer, Rbr, .12 0.31b 0.88d	2
47	08708	(003000-	) Nut, Hex, Lock, M6 X 1.0, NI	2
48	16931	(003000-	) Screw, Hex, M8 X 1.25 X 20, 8.8	2

Fig. 78 - Brush Lift Group, Side

Ref.	Part No.	Serial Number	Description	Qty.
49	32491	(003000-	) Washer, Flat, 0.31 Std	3
50	09010	(003000-	) Screw, Hex, M8 X 1.25 X 25, Ss	2
51	39283	(003000-	) Screw, Hex, M10 X 1.5 X 25, 8.8	2
52	07792	(003000-	) Nut, Hex, Flng, M10 X 1.5	2
53	39284	(003000-	) Screw, Hex, M10 X 1.5 X 35, 8.8	1
54	03193	(003000-	) Screw, Hex, M10 X 1.5 X 90, 8.8	1
55	06957	(003000-	) Screw, Hex, M8 X 1.25 X 60, 8.8	1
56	08709	(003000-	) Nut, Hex, Lock, M8 X 1.25, NI	1
57	41430	(003000-	) Nut, Hex, Lock, M10 X 1.5, NI	1
58	06965	(003000-	) Screw, Hex, M10 X 1.5 X 80, 8.8	1



**Fig. 79 - Brush Drive Group, Main**

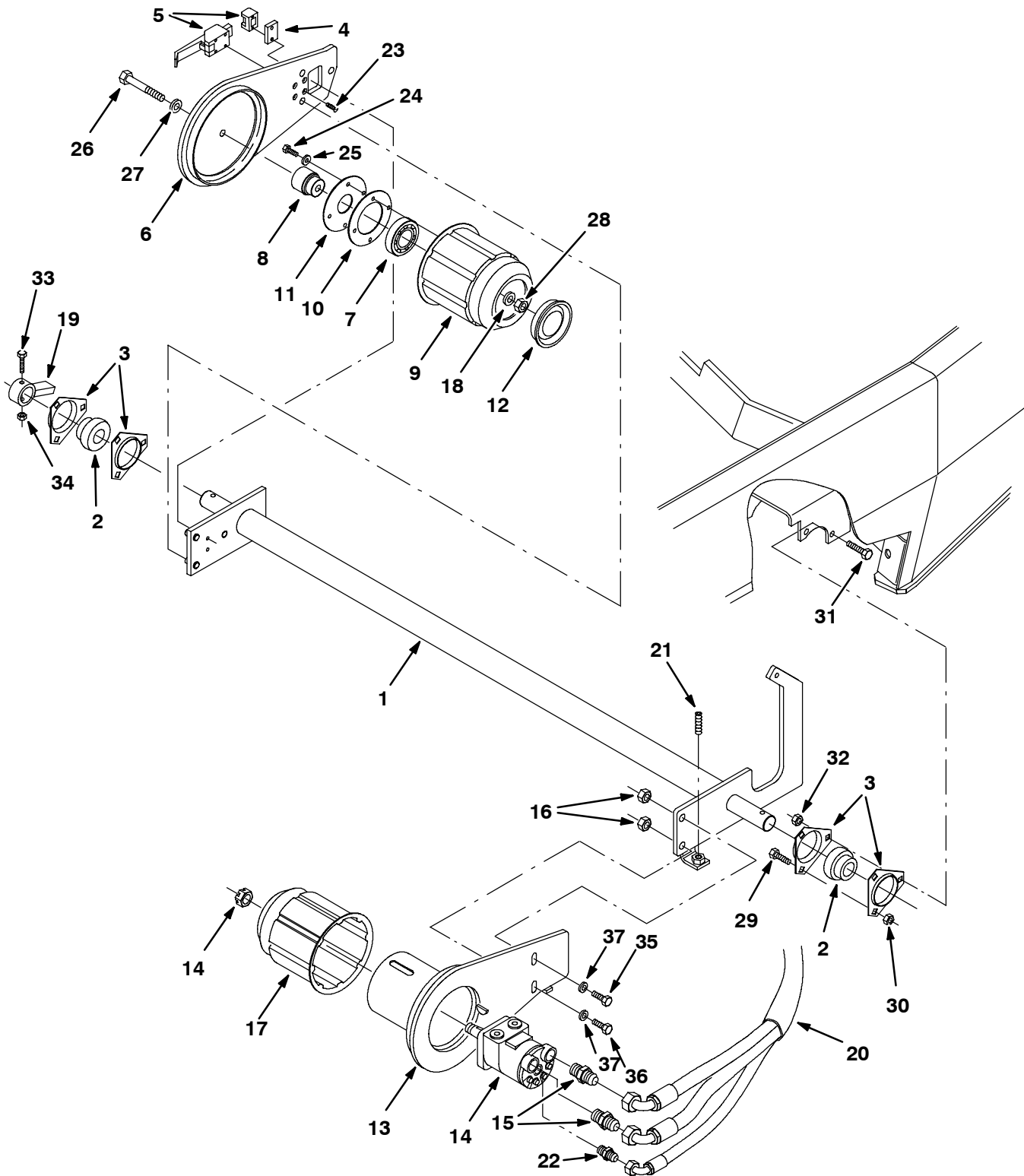




Fig. 79 - Brush Drive Group, Main

Ref.	Part No.	Serial Number	Description	Qty.
1	63436	(003000-	) Shaft Wldt, Main Brush	1
2	51448	(003000-	) Bearing&Clr , 1.25B 2.44D 1.41W	2
3	51449	(003000-	) Flange,Brg,3 Hole	4
4	63541	(003000-	) Plate, Mtg, Latch	1
5	54878	(003000-	) Latch	1
6	63449	(003000-	) Arm Wldt, M Br, Idler	1
7	24899	(003000-	) Bearing-Ball, 1.38B 2.83D 0.67W	1
8	30251	(003000-	) Shaft, Idler	1
9	55779	(003000-	) Plug Wldt, Idler	1
10	30252	(003000-	) Strip, Retainer, Bearing	1
11	30253	(003000-	) Plate, Seal	1
12	30255	(003000-	) Plug, Tube	1
13	63450	(003000-	) Arm Wldt, M Br, Motor	1
14	62563	(003000-	) Motor-Hyd Gear In (See Breakdowns)	1
15	44869	(003000-	) Ftg-Hyd Str Jm08/Om08	2
16	07793	(003000-	) Nut, Hex, Flng, M12 X 1.75	2
17	87631	(003000-	) Plug Weld, Brush Drive, Sweep	1
18	51564	(003000-	) Washer, .531B 1.75D .12Cr.Znc	1
19	64811	(003000-	) Bar Wldt, Brush Pressure	1
20	34330	(003000-	) Sleeve, Hyd 30"	1
21	75612	(003000-	) Screw, Set	1
22	55586	(003000-	) Ftg-Hyd Str Jm04/Om04	1
23	09120	(003000-	) Screw, Flt, M5 X 0.8 X 16, 10.9	6
24	12274	(003000-	) Screw, Hex, M6 X 1.0 X 20, 8.8, NI	4
25	32483	(003000-	) Washer, Flat, 0.25 Sae	4
26	32895	(003000-	) Screw, Hex, .50-13 X 3.50, 5	1
27	36328	(003000-	) Washer, Belleville, .50	1
28	02931	(003000-	) Nut, Hex, Lock, .50-13, NI, Ss	1
29	10819	(003000-	) Bolt, Carriage, .38-16 X 1.00	2
30	50902	(003000-	) Nut, Hex, Lock, .38-16, NI	2
31	39283	(003000-	) Screw, Hex, M10 X 1.5 X 25, 8.8	4
32	07792	(003000-	) Nut, Hex, Flng, M10 X 1.5	4
33	06957	(003000-	) Screw, Hex, M8 X 1.25 X 60, 8.8	1
34	08709	(003000-	) Nut, Hex, Lock, M8 X 1.25, NI	1
35	06968	(003000-	) Screw, Hex, M12 X 1.75 X 35, 8.8	1
36	41346	(003000-	) Screw, Hex, M12 X 1.75 X 30, 8.8	1
37	32486	(003000-	) Washer, Flat, 0.50 Sae	2

**Fig. 80 - Brush Drive Group, Front**

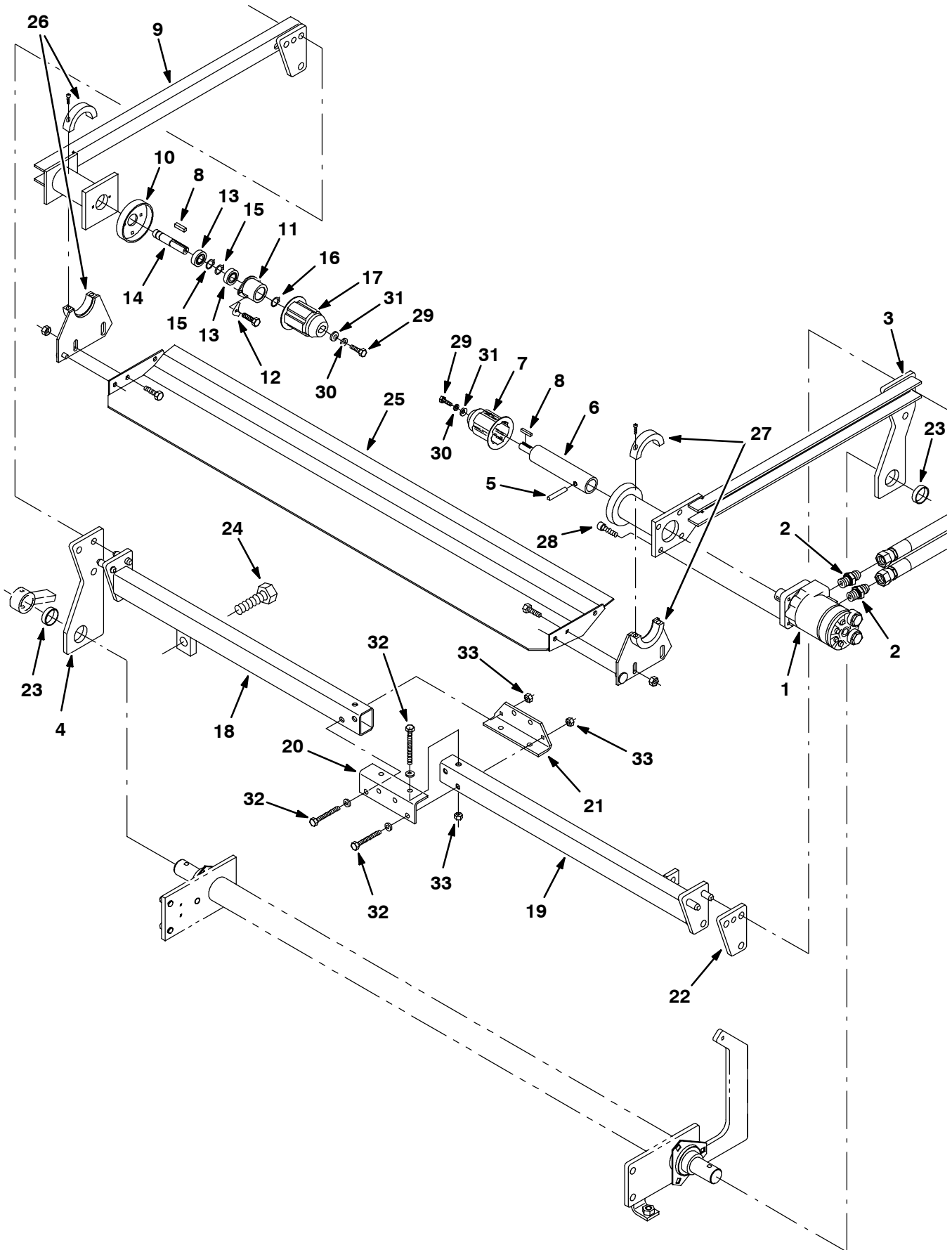


Fig. 80 - Brush Drive Group, Front

Ref.	Part No.	Serial Number	Description	Qty.
1	77406	(003000-003095 )	Motor, Hyd Gear (See Breakdowns)	1
1	375719	(003096- )	Motor, Hyd Gear (See Breakdowns)	1
2	56692	(003000- )	Ftg-Hyd Str Jm08/Om10	2
3	21225	(003000- )	Arm Wldt, Brush Arm, Front, Lh	1
4	64350	(003000- )	Plate, Mtg, Brush, Front	1
5	23574	(003000- )	Pin,Roll,.31Odx1.37L,.312/.318	1
6	62607	(003000- )	Shaft, Drive	1
7	86810	(003000- )	Driveplug, Brush - Mach.	1
8	00912	(003000- )	Key Square 0.18 0.18 01.00 Lg	2
9	63338	(003000- )	Arm Wldt, Brush Arm, Front, Rh	1
10	32720	(003000- )	Shield, Plug	1
11	41362	(003000- )	Cup,Bearing,Drive Flange,Pntd	1
12	32408	(003000- )	Plate, Hold Down	2
13	41360	(003000- )	Bearing-Ball,0.59B 1.26D 0.35W	2
14	15522	(003000- )	Shaft, Idler	1
15	01516	(003000- )	Ring,Retain,Ex,0.59Od,Basic	2
16	86773	(003000- )	Ring,Retain,Ex,.59D.Basic	1
17	12269	(003000- )	Plug, Brush Drive - Nylon	1
18	73720	(003000- )	Tube Wldt, Torque, Front Brush	1
19	73721	(003000- )	Tube Wldt, Torque, Front Brush	1
20	74888	(003000- )	Angle, Torque, Tube	1
21	74889	(003000- )	Angle, Torque, Tube	1
22	74056	(003000- )	Plate, Brush Suspension, Front	1
23	62986	(003000- )	Bearing, Journal	2
24	70848	(003000- )	Scr-Hex M20X2.5 80 Full Thd	1
25	375635	(003096- )	Plate, Wldt. Sweep	1
26	375639	(003096- )	Bracket, Mtg, Plate, Rh	1
27	375638	(003096- )	Bracket, Mtg, Plate, Lh	1
28	48998	(003000- )	Screw, Flt, .38-16 X 1.00, Al	4
29	11329	(003000- )	Screw, Hex, M6 X 1.0 X 16, Ss, NI	2
30	01685	(003000- )	Washer, Flat, 0.31 Ss	2
31	41185	(003000- )	Washer, Belleville, .25	2
32	39279	(003000- )	Screw, Hex, M8 X 1.25 X 70, 8.8	6
33	08709	(003000- )	Nut, Hex, Lock, M8 X 1.25, NI	6

Fig. 81 - Brush Lift Group, Front and Main

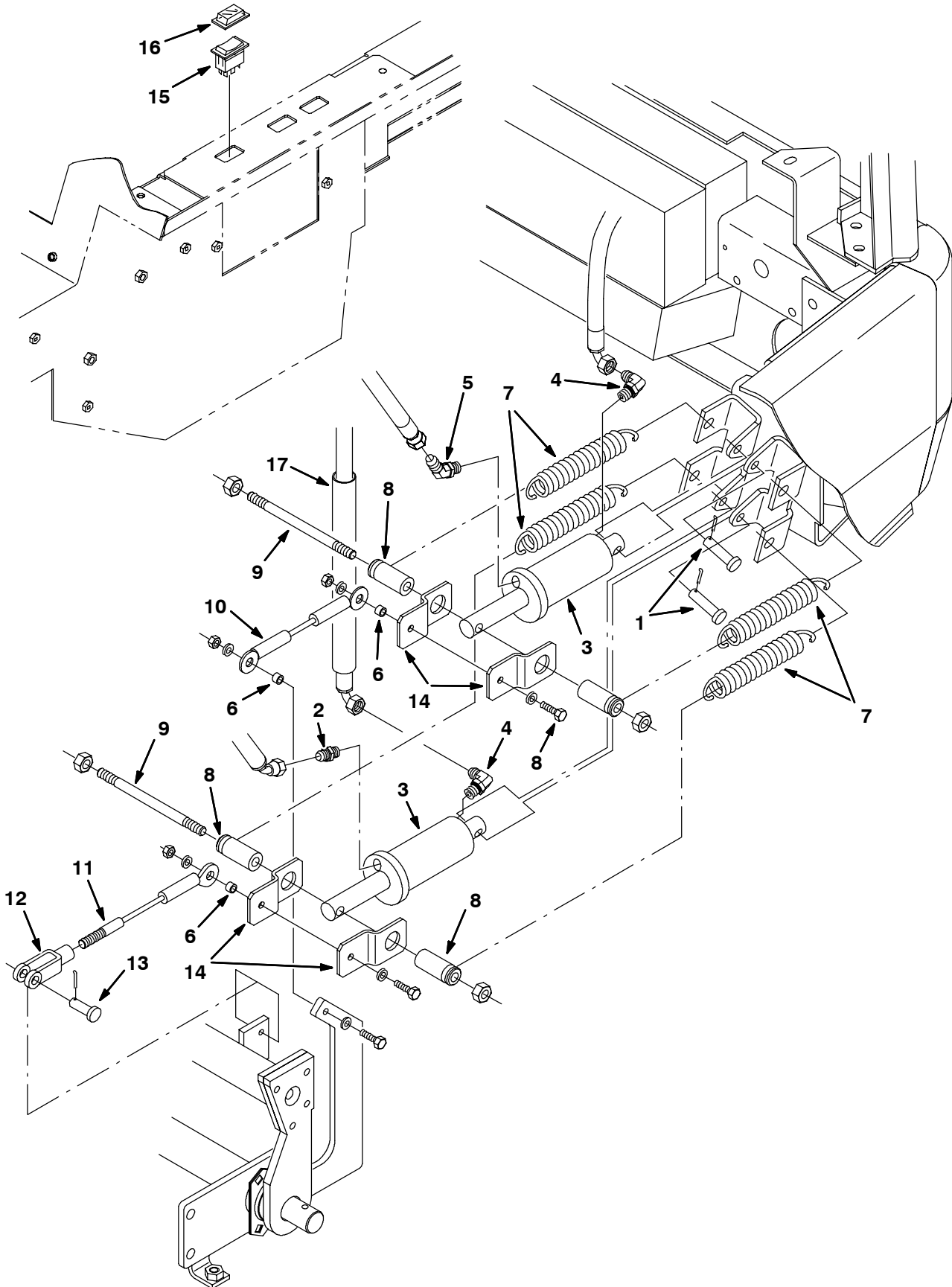


Fig. 81 - Brush Lift Group, Front and Main

Ref.	Part No.	Serial Number	Description	Qty.
1	51534	(003000-	) Pin,Clevis,0.50 Dia.X 2.00 Lg	2
2	1012657	(003000-	) Rod, Thrd, 2 End .50-13 05.75	1
3	54096	(003000-	) Cylinder, Hyd	2
4	77097	(003000-	) Ftg-Hyd E90 Jm04/Om04	2
5	34359	(003000-	) Ftg-Hyd E45 Jm04/Om04	1
6	65249	(003000-	) Tube, Spacer, Brush Lift	3
7	33404	(003000-	) Spring, Tension	4
8	1012656	(003000-	) Tube, Retainer, Spring	4
9	1012657	(003000-	) Rod, Threaded .50- 13	2
10	64233	(003000-	) Cable, Lift, Main Brush	1
11	64870	(003000-	) Cable, Lift, Brush, Front	1
12	51462	(003000-	) Clevis,Adjust.0.50-13Th.Cad.	1
13	06598	(003000-	) Pin,Clevis,0.50 Dia.X 1.42 Lg	1
14	65248	(003000-	) Bracket, Brush Lift, Main	4
15	61969	(003058-	) Switch, Rocker, Dpdt.	1
16	57807	(003058-	) Cover,Rocker,Switch Seal	1
17	1015036	(003000-	) Hose, Sleeve, Fire	1

Fig. 82 - Brush Adjustment Group, Main

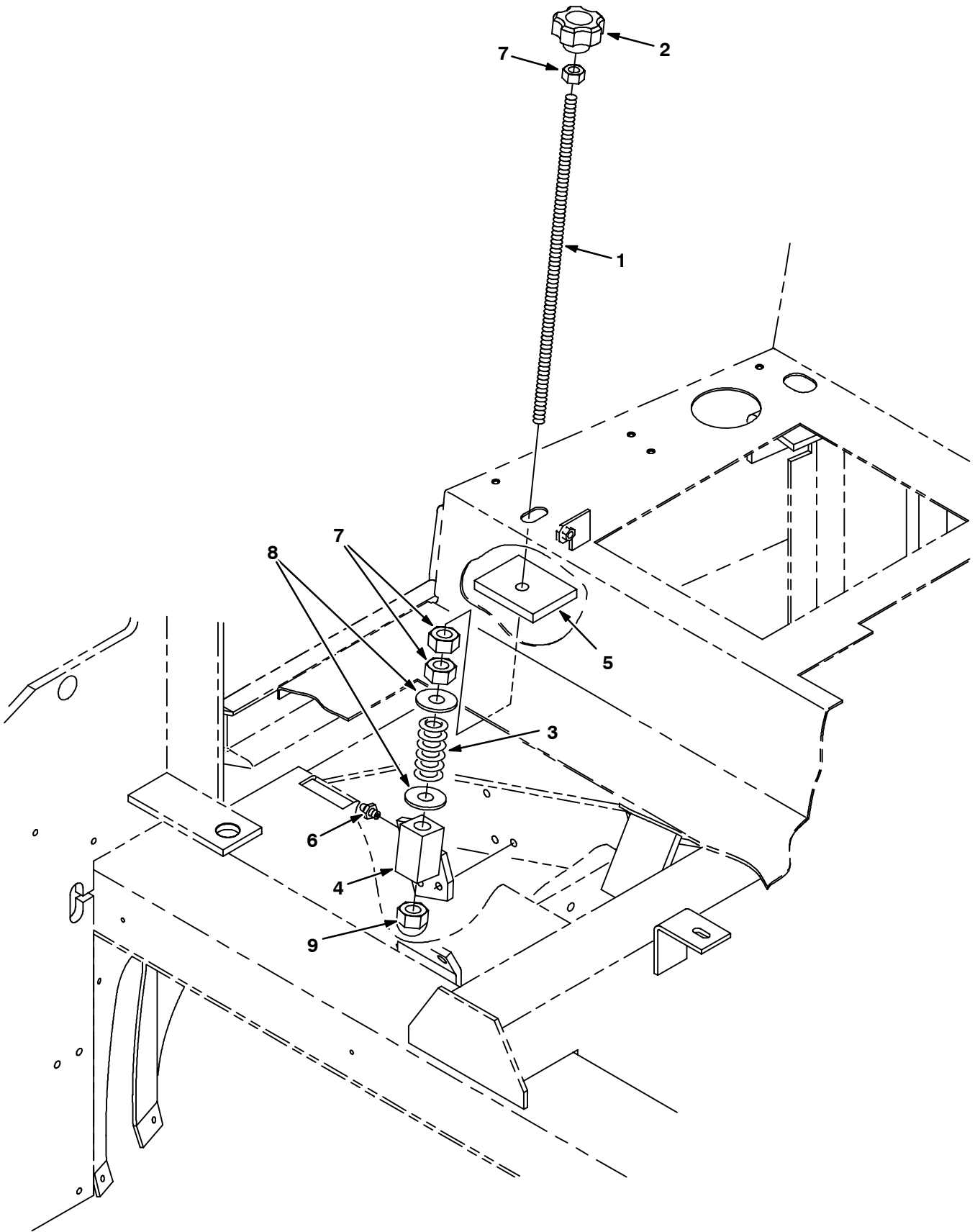


Fig. 82 - Brush Adjustment Group, Main

Ref.	Part No.	Serial Number	Description	Qty.
1	77578	(003000-	) Rod, Thread	1
2	77605	(003000-	) Knob, Plastic	1
3	51693	(003000-	) Sprng,Comp,0.87ldx.10Wire 2.5L	1
4	77580	(003000-	) Plate, Adj, Brush	1
5	79028	(003000-	) Seal, Rod, Adjuster	1
6	11716	(003000-	) Ftg, Grease.12 Npt 45 .88L	1
7	77583	(003000-	) Nut, Hex, Std, .62-18	3
8	15331	(003000-	) Washer, Flat, 0.62, Sae	2
9	41131	(003000-	) Nut, Low Crown, .62-18	1

Fig. 83 - Vacuum Fan Impeller Group

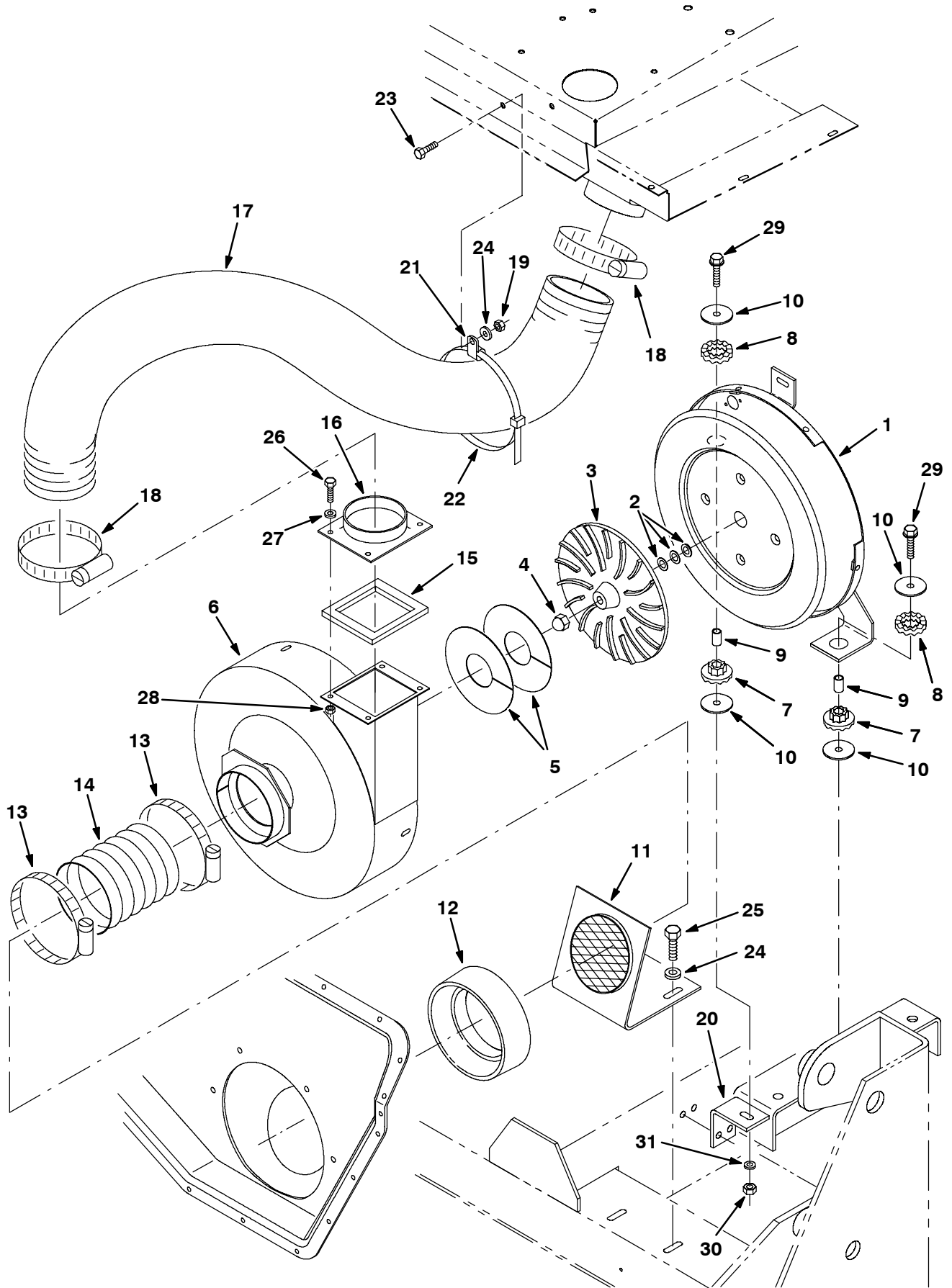




Fig. 83 - Vacuum Fan Impeller Group

Ref.	Part No.	Serial Number	Description	Qty.
1	77531	(003000-	) Housing Wldt, Vac Fan, Rear	1
2	75456	(003000-	) Shim .003Th 0.88Odx0.506ld	1
2	75456-1	(003000-	) Shim .005Th 0.88Odx0.506ld	1
2	75456-2	(003000-	) Shim .010Th 0.88Odx0.506ld	1
2	75456-3	(003000-	) Shim .020Th 0.88Odx0.506ld	3
2	75456-4	(003000-	) Shim .060Th 0.880Dxo.506ld	3
3	03922	(003000-	) Impeller 9.5 Dia. 18 Blade Mac	1
4	41130	(003000-	) Nut-Low Crown .50-20 Pltd	1
5	58114	(003000-	) Fan, Repair Kit, Reassembly	1
6	77532	(003000-	) Housing Wldt, Vac Fan, Front	1
7	64621	(003000-	) Bushing, Isolator	2
8	64618	(003000-	) Ring, Isolator, Outer Rbr	2
9	64299	(003000-	) Spacer	2
10	58228	(003000-	) Plate, Spring - Side Brush	4
11	70825	(003000-	) Bracket Wldt, Fan Inlet	1
12	21241	(003000-	) Kit, Replmt, Seal, Vacfan, [800]	1
13	73685	(003000-	) Clamp-Wormdrive, 3.62- 5.50D	2
14	73646	(003000-	) Hose, Fan Inlet	1
15	73650	(003000-	) Insulation, Acoustic, Fan	1
16	77553	(003000-	) Plate, Vac Fan	1
17	40870-8	(003000-	) Hose&cuff Assy, Vinyl4.0ldx50	1
18	23498	(003000-	) Clamp-Wormdrive, 2.63- 4.50D	2
19	08709	(003000-	) Nut, Hex, Lock, M8 X 1.25, NI	1
20	375721	(003077-	) Bracket, Angle	1
21	69234	(003000-	) Clamp, Cable, Stl, 1.00d X 0.75w, 1h	1
22	763113	(003000-	) Tie, Cable, 20.0l, 6.00d Max	1
23	16931	(003000-	) Screw, Hex, M8 X 1.25 X 20, 8.8	1
24	32491	(003000-	) Washer, Flat, 0.31 Std	1
25	76570	(003000-	) Screw, Hex, M8 X 1.25 X 30, 8.8	2
26	06943	(003000-	) Screw, Hex, M6 X 1.0 X 20, 8.8	4
27	32483	(003000-	) Washer, Flat, 0.25, Sae	4
28	08708	(003000-	) Nut, Hex, Lock, M6 X 1.00, NI	4
29	16930	(003000-	) Screw, Hex, M10 X 1.5 X 50, 8.8	2
30	41430	(003000-	) Nut, Hex, Lock, M10 X 1.5, NI	2
31	32492	(003000-	) Washer, Flat, 0.38, Std	2

**Fig. 84 - Vacuum Fan Motor Group**

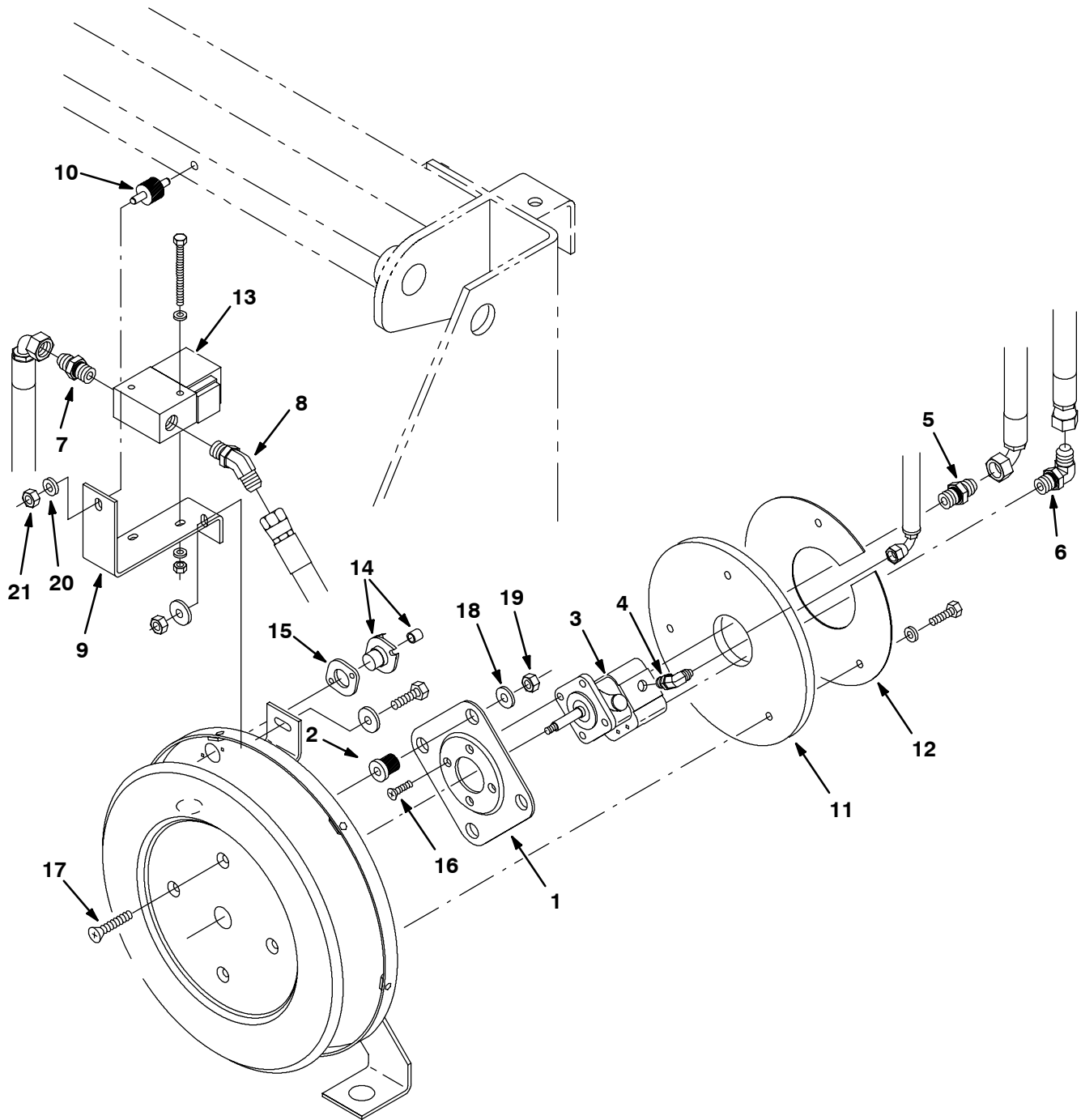


Fig. 84 - Vacuum Fan Motor Group

Ref.	Part No.	Serial Number	Description	Qty.
1	54275A	(003000-	) Bracket, Mounting Motor	1
2	54274	(003000-	) Isolator-Vibration,60 Lb.Ratng	4
3	19117	(003000-	) Motor-Hyd Gear Ex (See Breakdowns)	1
4	77097	(003000-	) Ftg-Hyd E90 Jm04/Om04	1
5	56692	(003000-	) Ftg-Hyd Str Jm08/Om10	1
6	56821	(003000-	) Ftg-Hyd E90 Jm08/Om10	1
7	44869	(003000-	) Ftg-Hyd Str Jm08/Jm08	1
8	42226	(003000-	) Ftg-Hyd E45 Jm08/Om08	1
9	70775	(003000-	) Bracket, Mtg, Valve	1
10	05611	(003000-	) Isolator, Vibration	1
11	70810	(003000-	) Insulation, Acoustic, Vac Fan	1
12	70790	(003000-	) Plate, Retainer, Foam	1
13	84015	(003000-005041	) Valve-Hyd, Solenoid (See Breakdowns)	1
13	1049210	(005042-	) Valve, Cntrl, Hyd, Solenoid, 12vdc 12gpm (See Break-downs)	1
14	02713	(003000-	) Thermostat Assembly, 155 Deg	1
15	82733	(003000-	) Gasket, Fire Switch	1
16	39534	(003000-	) Screw, Flt	4
17	54862	(003000-	) Screw, Flt	4
18	13248	(003000-	) Washer, Flat, 0.40b 1.12d .12, Stl, PI	4
19	50902	(003000-	) Nut, Hex, Lock, .38-16, NI	4
20	32984	(003000-	) Washer, Lock, Int, 0.31	2
21	19313	(003000-	) Nut, Hex, Std, .31-18	2

Fig. 85 - Steering Group

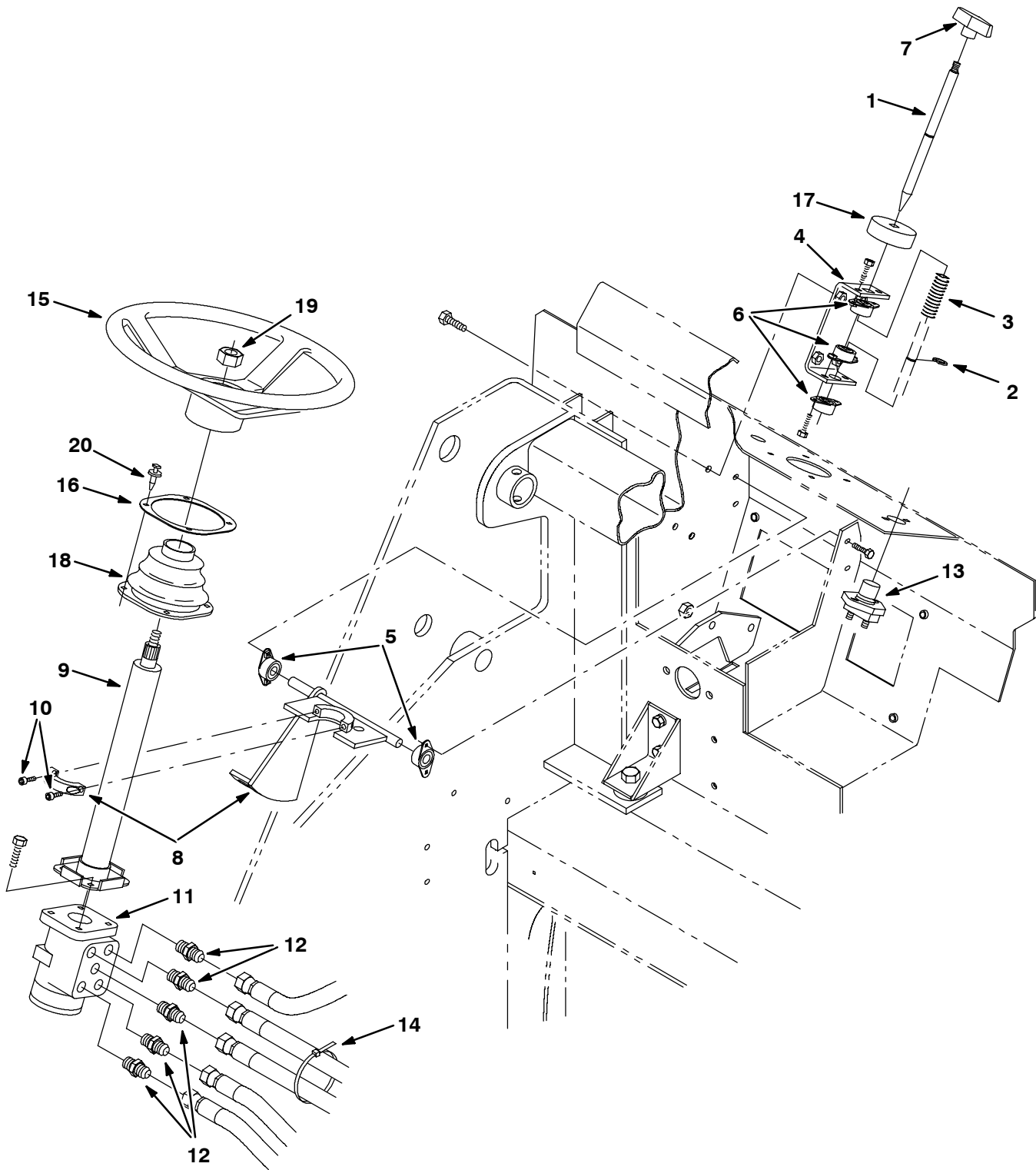


Fig. 85 - Steering Group

Ref.	Part No.	Serial Number	Description	Qty.	
1	64651	(003000-	) Rod, Latch, Steering, Tilt	1	
2	70717	(003000-	) Ring, Retain, Ex, 0.50Od, Heavy Dt	1	
3	22290	(003000-	) Sprng, Comp, 0.62Idx. 06Wire 2.3L	1	
4	64655	(003000-	) Channel, Mtg, Steering Latch	1	
5	70709	(003000-	) Bearing, Flange .500B	2	
6	47585	(003000-	) Bearing-Flange, 2 Hole 0.50Bore	3	
7	04706	(003000-	) Handle, Lift, Brush	1	
8	64586	(003000-	) Bracket Wldt, Steering Tilt	1	
▽	9	64631	(003000-	) Column, Steering 12"	1
▲	64631	(003000-	) Boot	1	
10	21195	(003000-	) Scr Hex .38-16X0.75	2	
11	65242	(003000-	) Steer Control, Hyd	1	
12	56690	(003000-	) Ftg-Hyd Str Jm06/Om06	5	
13	44078	(003000-	) Switch, Pushmom, Spst100A 12V	1	
14	49263	(003000-	) Tie, Cable 3.00D Max 11.41Lg	3	
▽	15	56398	(003000-	) Wheel, Steering	1
▲	70218	(003000-	) Cap, Wheel, Steering	1	
▲	70219	(003000-	) Insert, Wheel, Steering	1	
16	70623	(003000-	) Plate, Mtg, Steering Boot	1	
17	75968	(003000-	) Seal, Bearing	1	
18	70622	(003000-	) Seal, Boot, Steering Column	1	
19	56185	(003000-	) Nut-hx Jam M20x1.5 4 Pltd	1	
20	72970	(003000-	) Rivet, Plastic .250Dx.898	4	

Fig. 86 - Electrical Instrument Panel Assembly

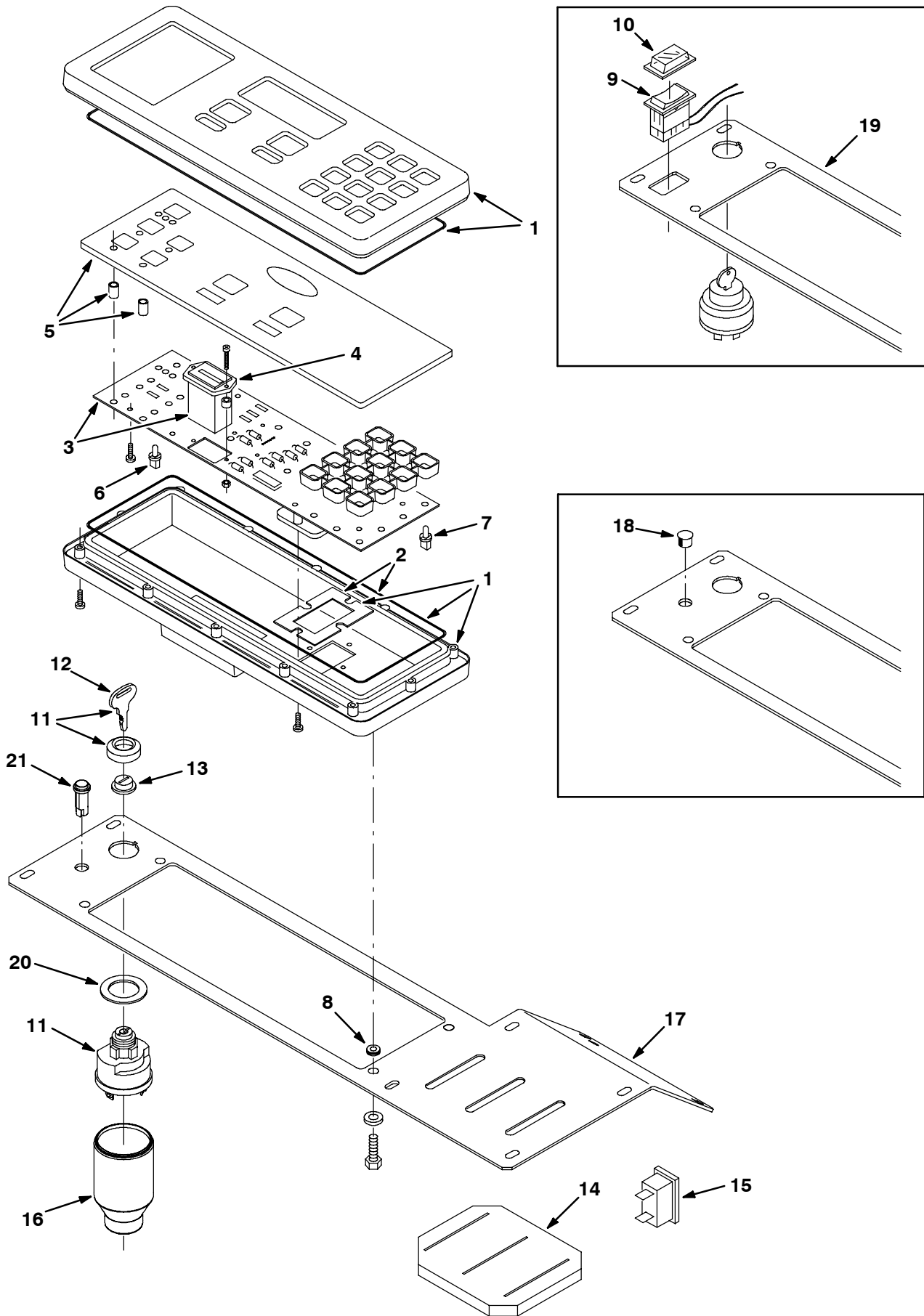
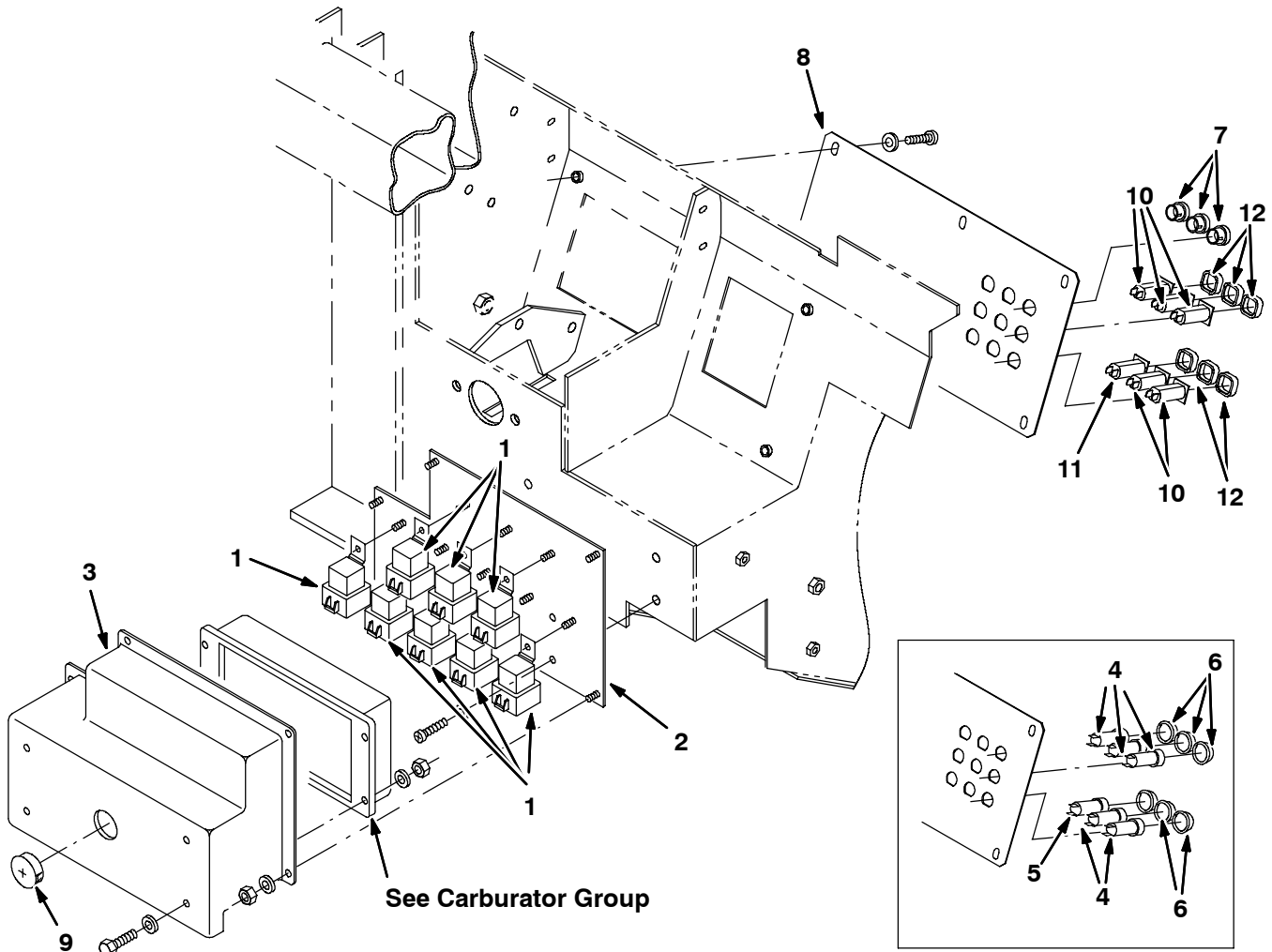


Fig. 86 - Electrical Instrument Panel Assembly

	Ref.	Part No.	Serial Number	Description	Qty.
▽		59970	(003000-	) Replm Kit, Instr Panel	1
▲	1	59976	(003000-	) Replm Kit, Case	1
▲	2	59977	(003000-	) Replm Kit, Seal	1
▲▽	3	59974	(003000-	) Replm Kit, Cir Board	1
▲▲	4	59978	(003000-	) Replm Kit, Hourmeter	1
▲	5	59979	(003000-	) Replm Kit, Touch Panel	1
▲	6	59971	(003000-	) Replm Kit, Lamp, Backlighting (Set of 8)	2
▲	7	56346	(003000-	) Replm Kit, Lamp, Fault (Set of 8)	1
	8	10632-5	(003000-	) Grommet,Rbr,0.25ld,For .09Matl	4
	9	61969	(003000-003057	) Switch, Rocker, Dpdt	1
	10	57807	(003000-003057	) Cover, Rocker Switch Seal	1
▽	11	87536	(003000-	) Switch Ignition	1
▲	12	87866	(003000-	) Key Set,Switch Ku	1
	13	382516	(003000-	) Boot, Switch	1
	14	79648	(003000-	) Seal, Handle, Valve	1
	15	64141	(003000-	) Light, Indicator 14V Red 1.2x0.7	1
	16	383165	(003072-	) Boot, Switch, Ignition	1
	17	1012670	(003058-	) Panel, Cover, Dash	1
	18	56992	(003058-003999	) Plugbutton	1
	19	65245	(003000-003057	) Panel, Cover, Dash	1
	20	73736	(003000-	) Washer	1
	21	1012185	(004000-	) Light, Check Eng, Amb, 14vdc	1

**Fig. 87 - Electrical Circuit Breaker and Relay Group**

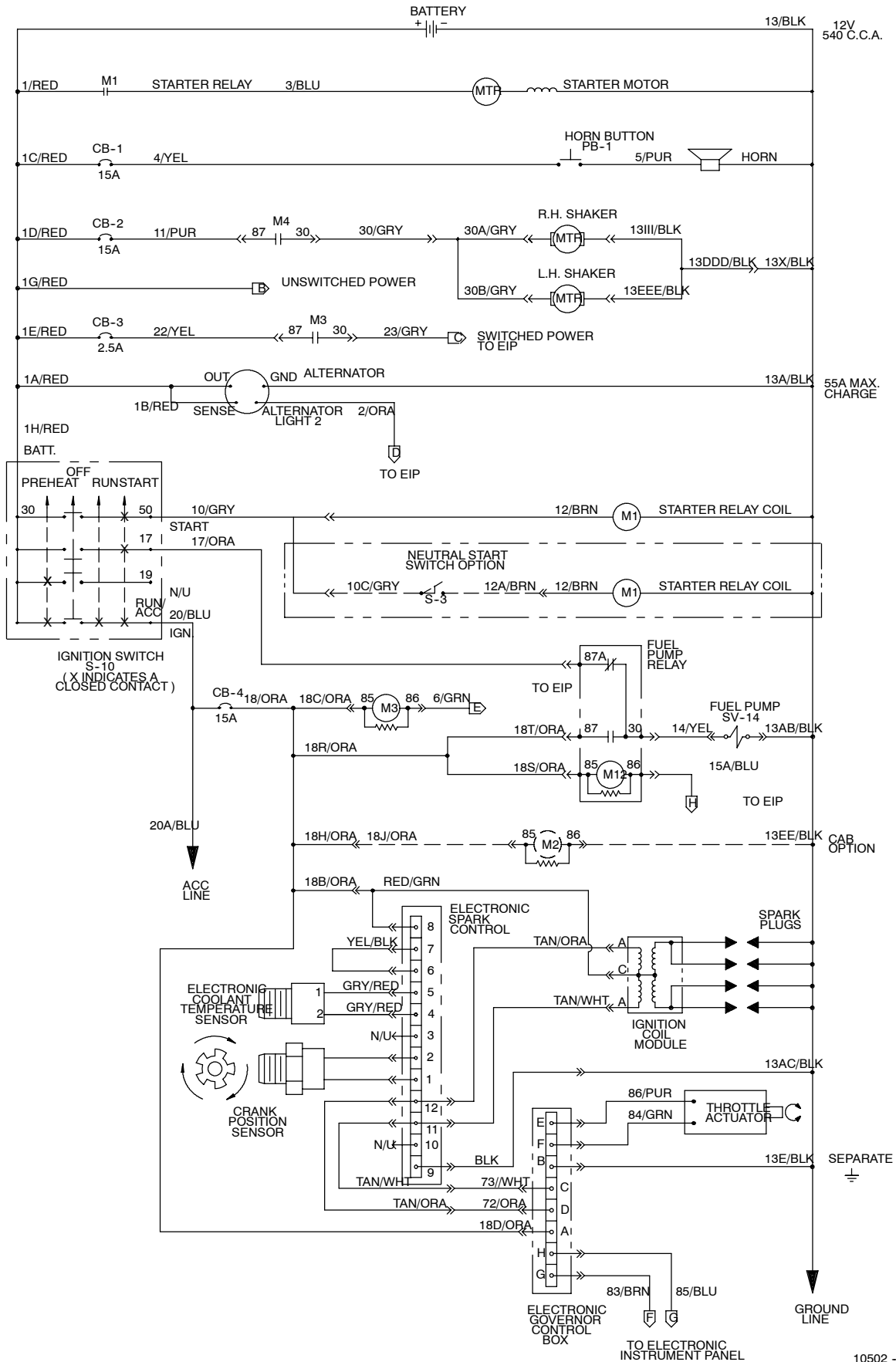


07735 - G, LP

Ref.	Part No.	Serial Number	Description	Qty.
1	56186	(003000- )	Relay, Shrouded, 12 Vdc	8
2	70398	(003000- )	Plate, Mtg, Relay	1
3	70402	(003000- )	Cover, Relay Panel	1
4	57803	(003000-005036 )	Breaker-Circuit, 15 Resetbl	5
5	87583	(003000-005036 )	Breaker-Circuit, 2.5 Resetbl	1
6	57751	(003000-005036 )	Boot-Circuit Breaker	6
7	57167	(003000- )	Plugbtn .62H .03-.12 Blacknyl	3
8	70411	(003000- )	Plate, Circuit Breaker	1
9	76888	(003000- )	Button, Plug 1.25H	1
10	1045858	(005037- )	Circuitbreaker, 15A, Restable	5
11	1046152	(005037- )	Circuitbreaker, 2.5A, Restable	1
12	1046173	(005037- )	Boot, Circuitbreaker	6



Fig. 88 - Electrical Schematic (003000-003178)



10502 - G, LP

Fig. 88 - Electrical Schematic (003000-003178)

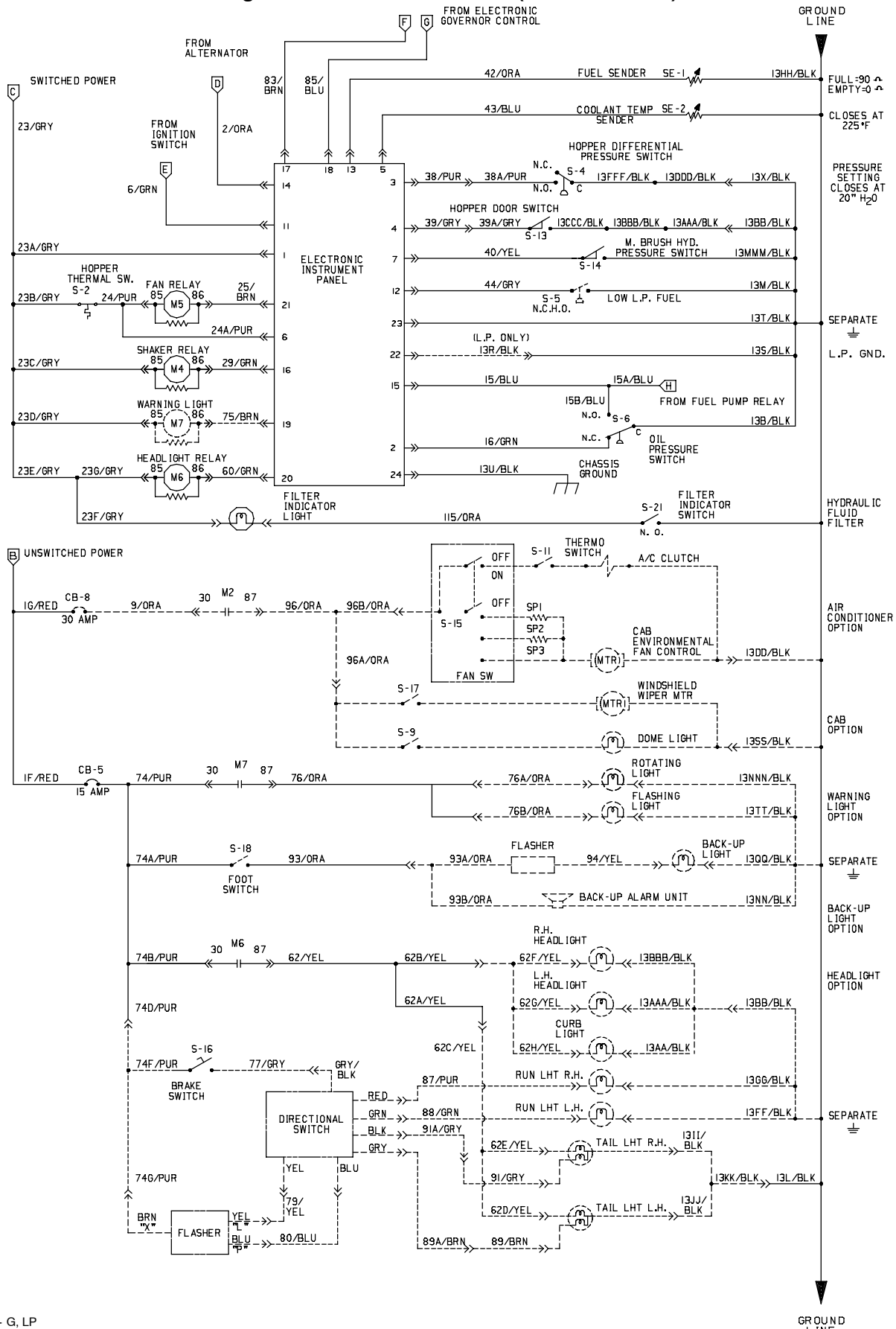
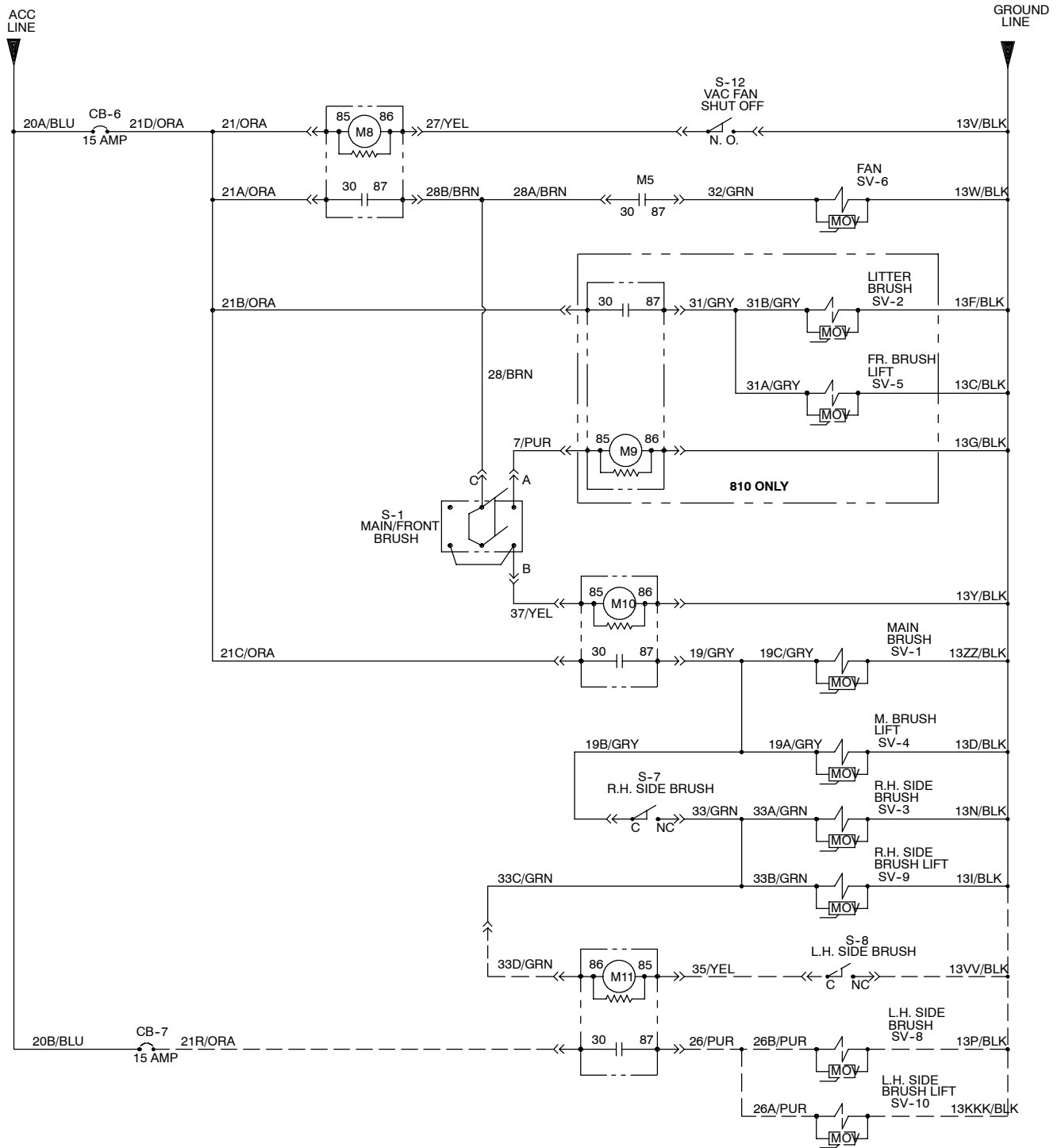


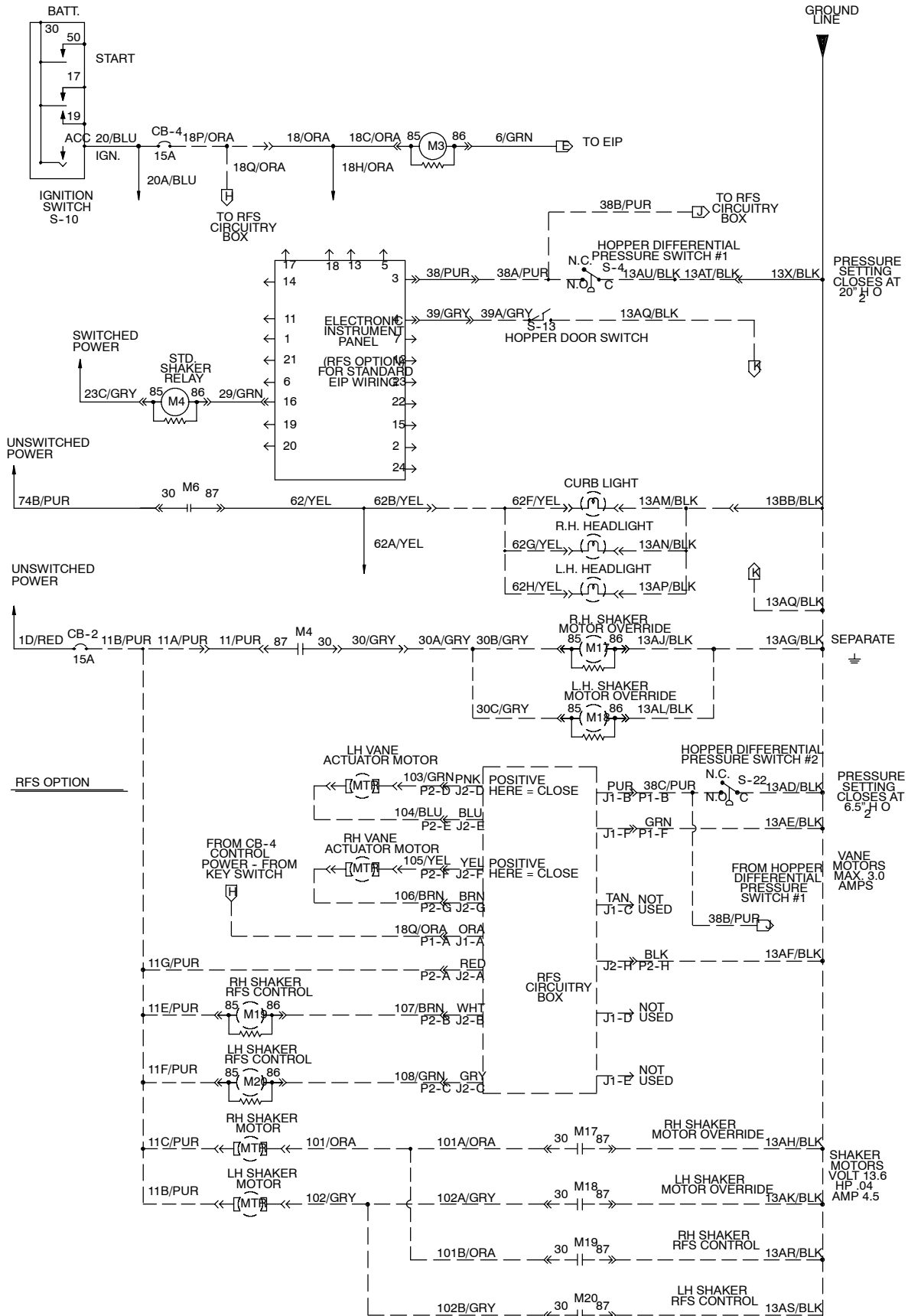
Fig. 88 - Electrical Schematic (003000-003178)



LEGEND			
M	POWER RELAY	HM	HOURLMETER
MTR	MOTOR	SV	SOLENOID VALVE
CB	CIRCUIT BREAKER	S	SWITCH
PM	PERMANENT MAGNET	ACC	ACCESSORY
J	JACK-FEM. SOCKET	GND	GROUND CHASSIS
P	PLUG-MALE PIN	C	COMMON
PB	PUSHBUTTON	N.O.	NORMALLY OPEN
VM	VOLTMETER	N.C.	NORMALLY CLOSED
FU	FUSE	NOV	METAL OXIDE VARISTOR

10502 - G, LP

Fig. 88 - Electrical Schematic (003000-003178)



10502 - G, LP

Fig. 89 - Electrical Schematic (003179-003999)

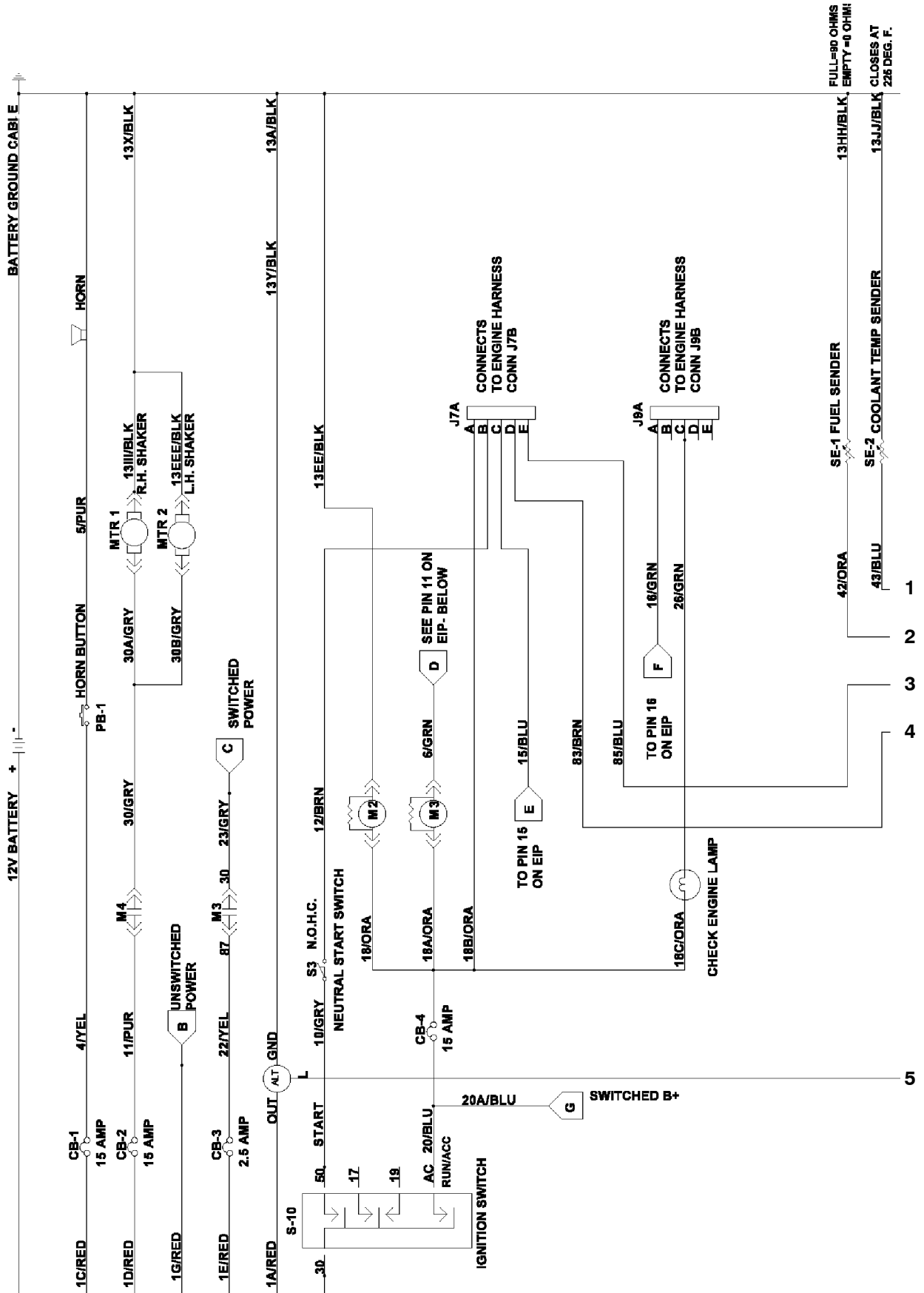


Fig. 89 - Electrical Schematic (003179-003999)

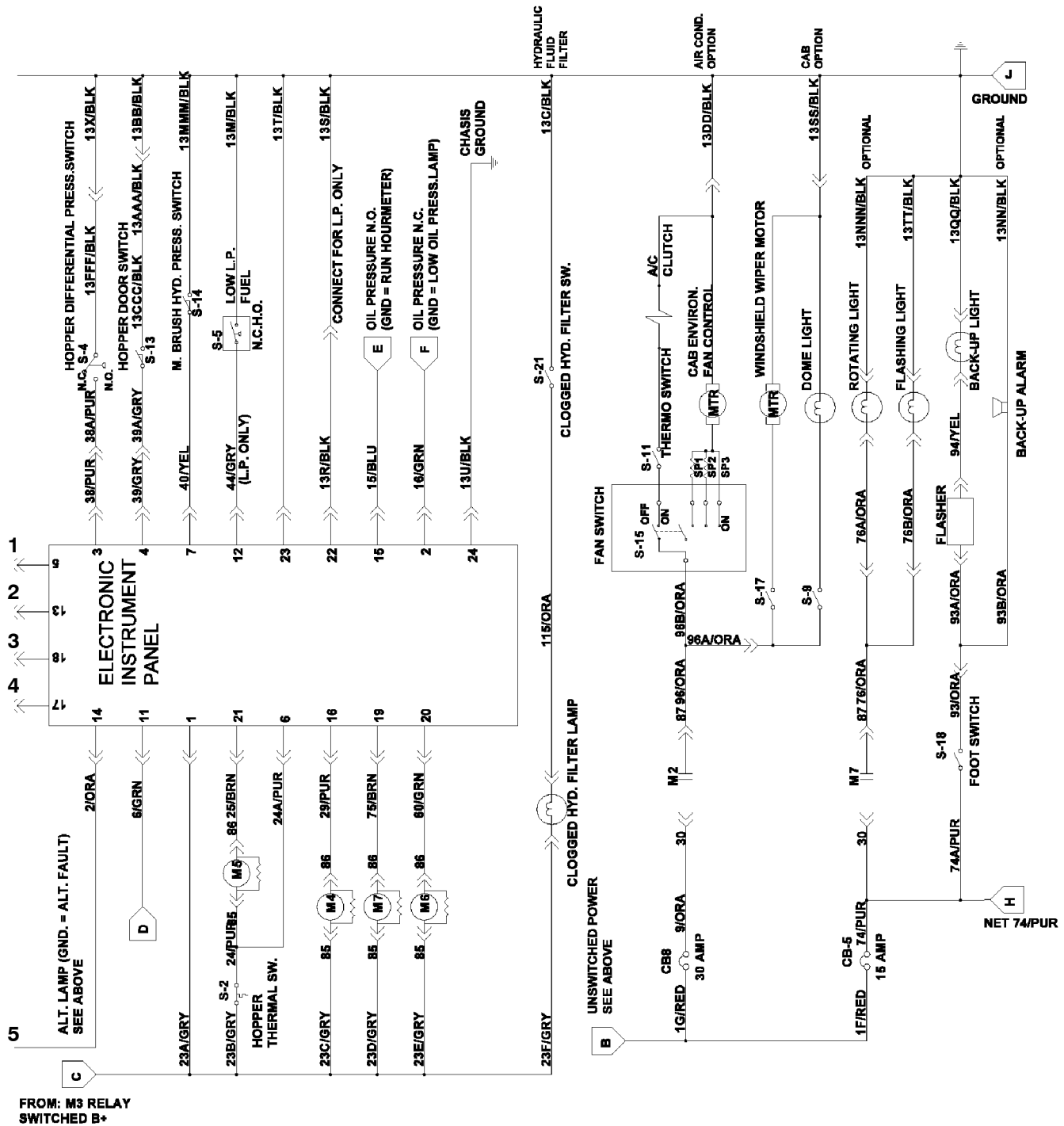
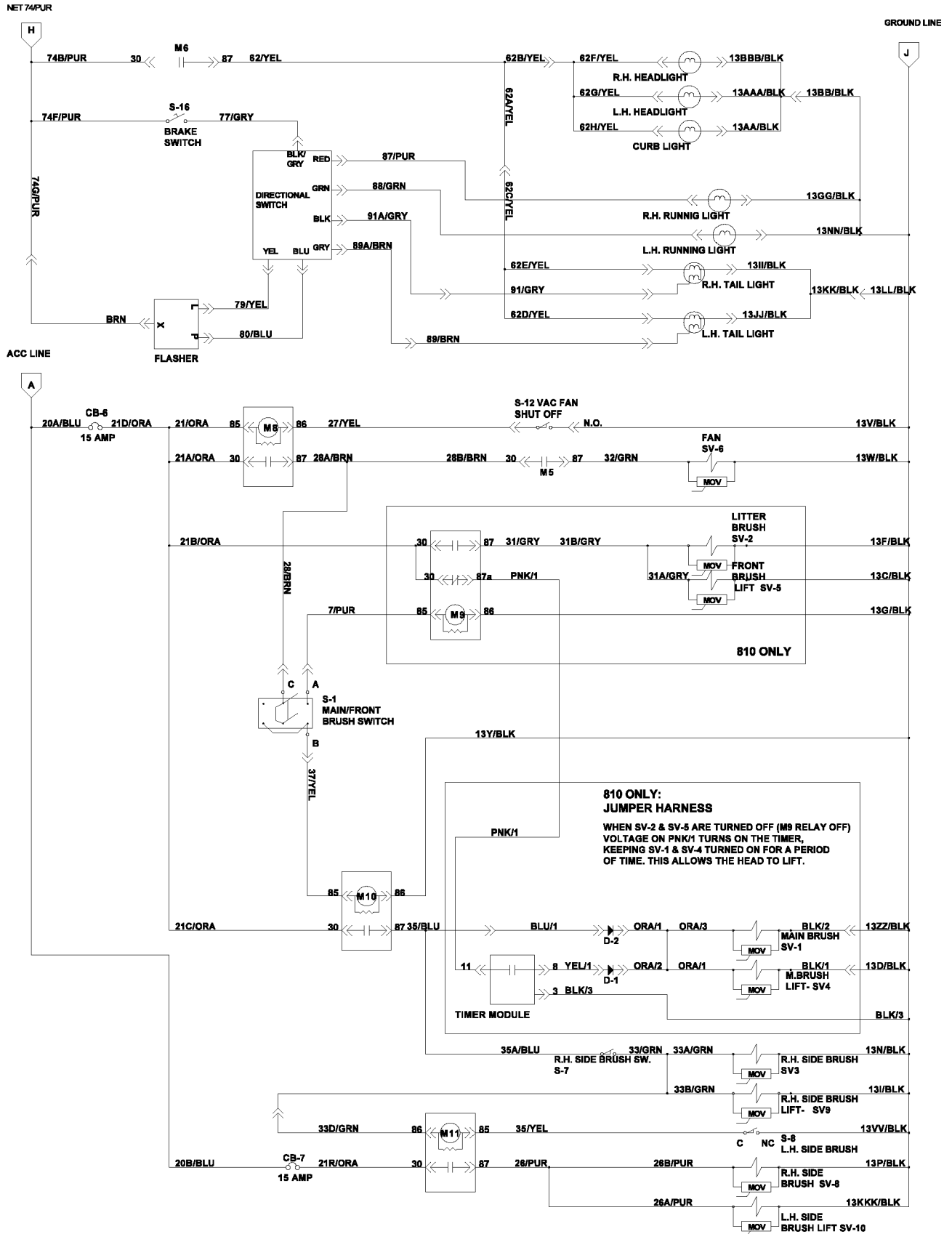
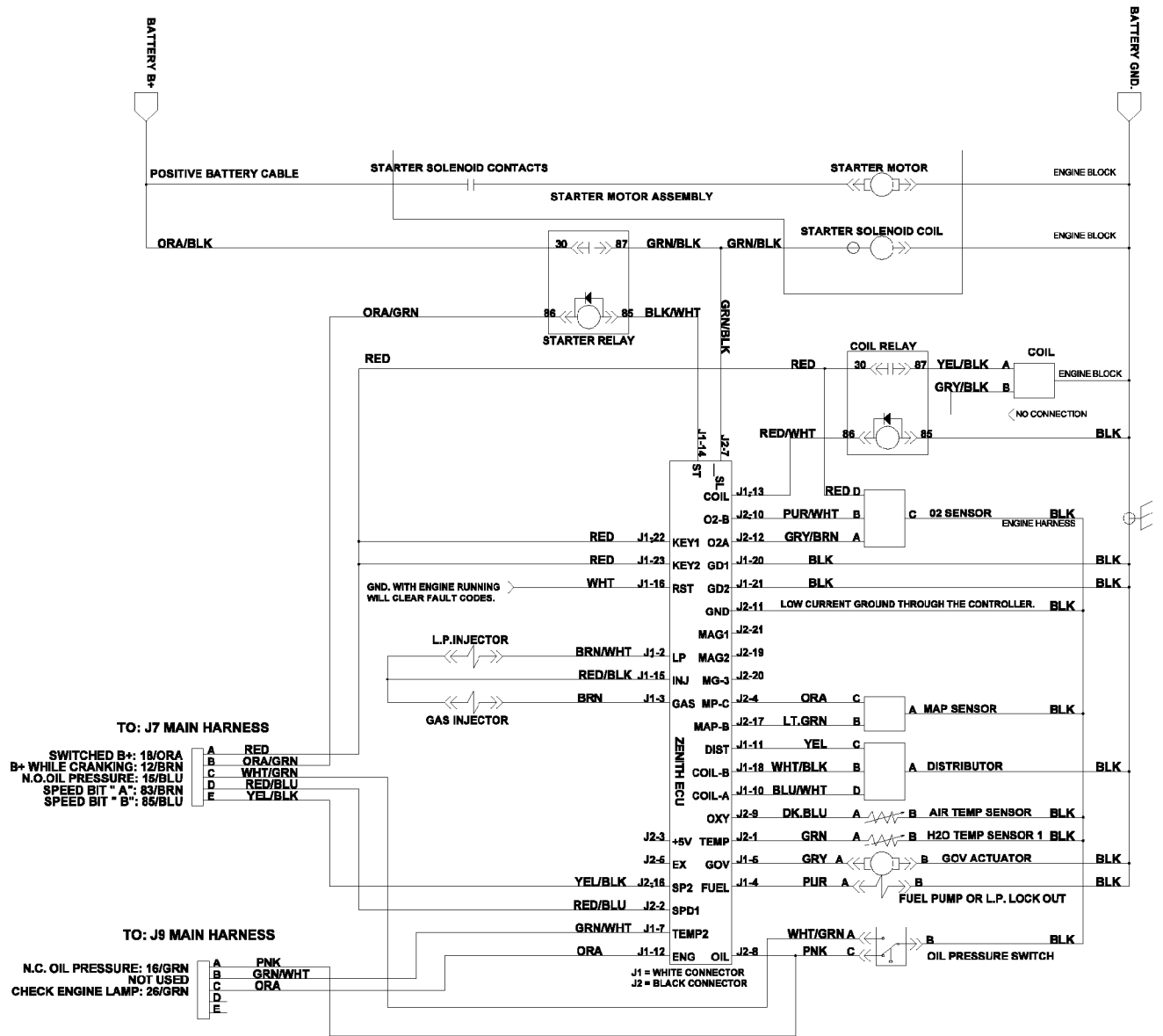


Fig. 89 - Electrical Schematic (003179-003999)



## Fig. 89 - Electrical Schematic (003179-003999)



**ENGINE SPEED SELECTION BITS "A" AND "B"**

ENGINE SPEED	BIT "A"	BIT "B"
1350 RPM	LOW	OV
2000 RPM	MED	NOT USED
2400 RPM	HIGH	OV

393277 - 800, 810, G, Lp



Fig. 89 - Electrical Schematic (003179-003999)

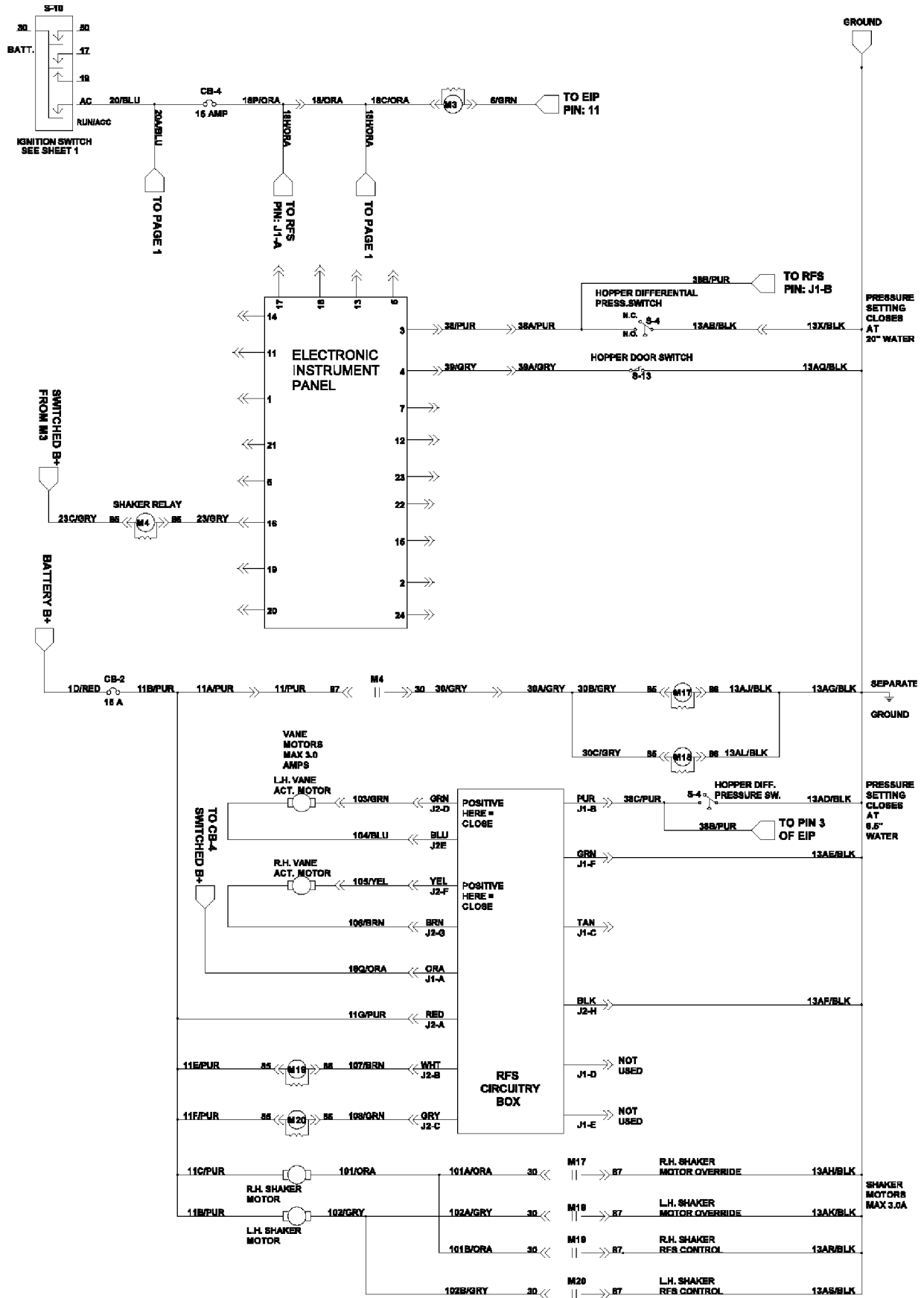
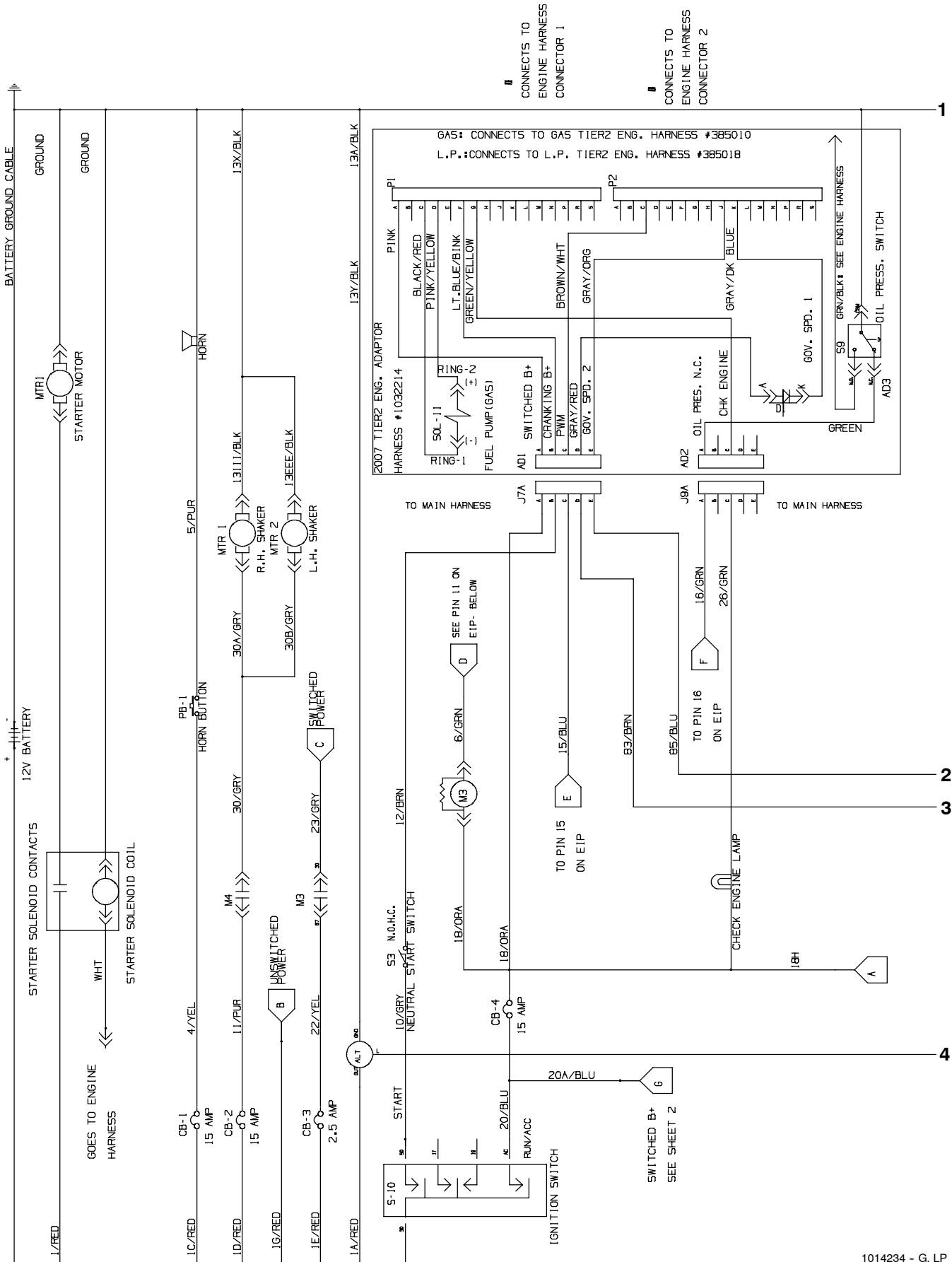
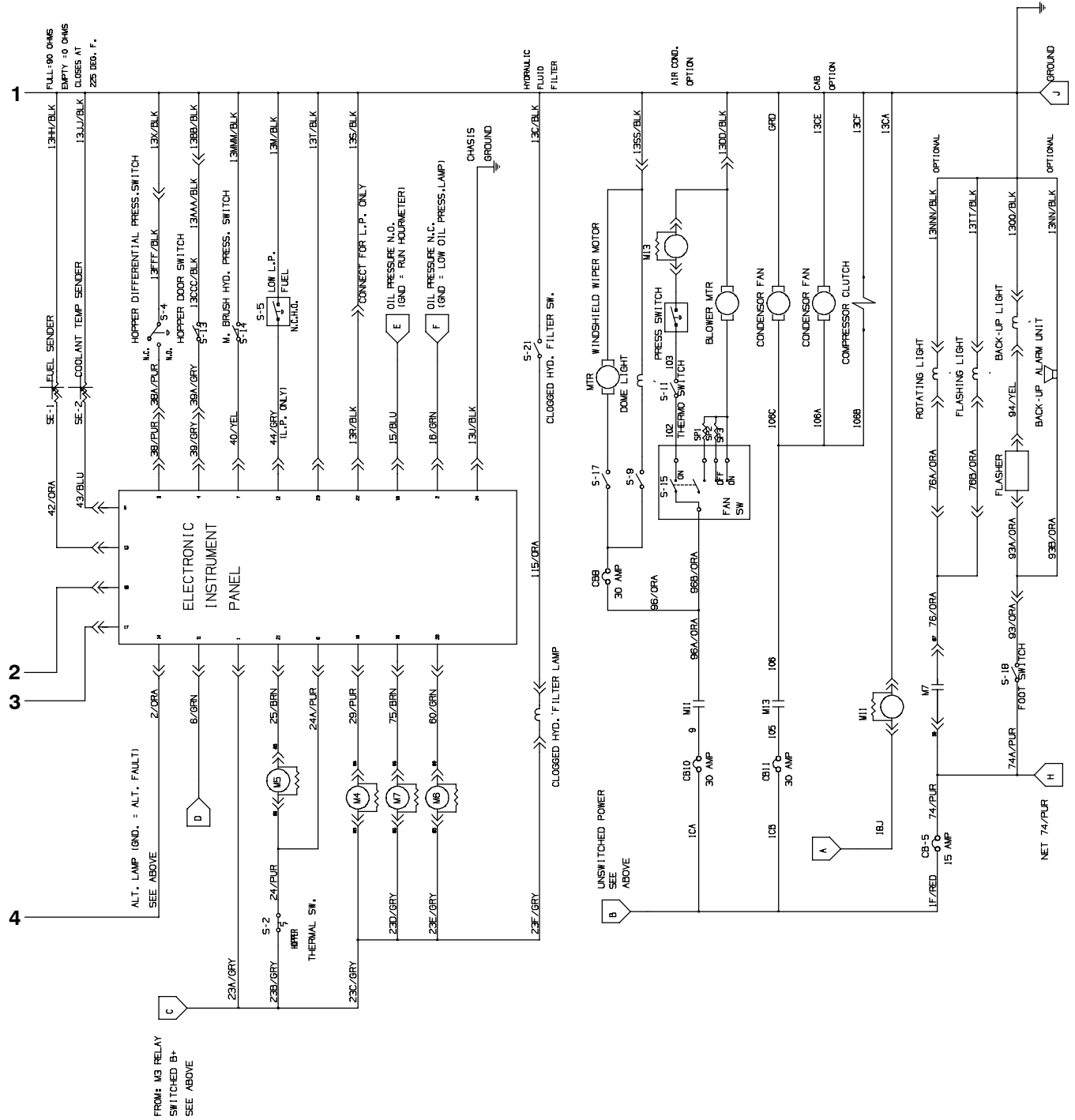


Fig. 90 - Electrical Schematic (004000- )



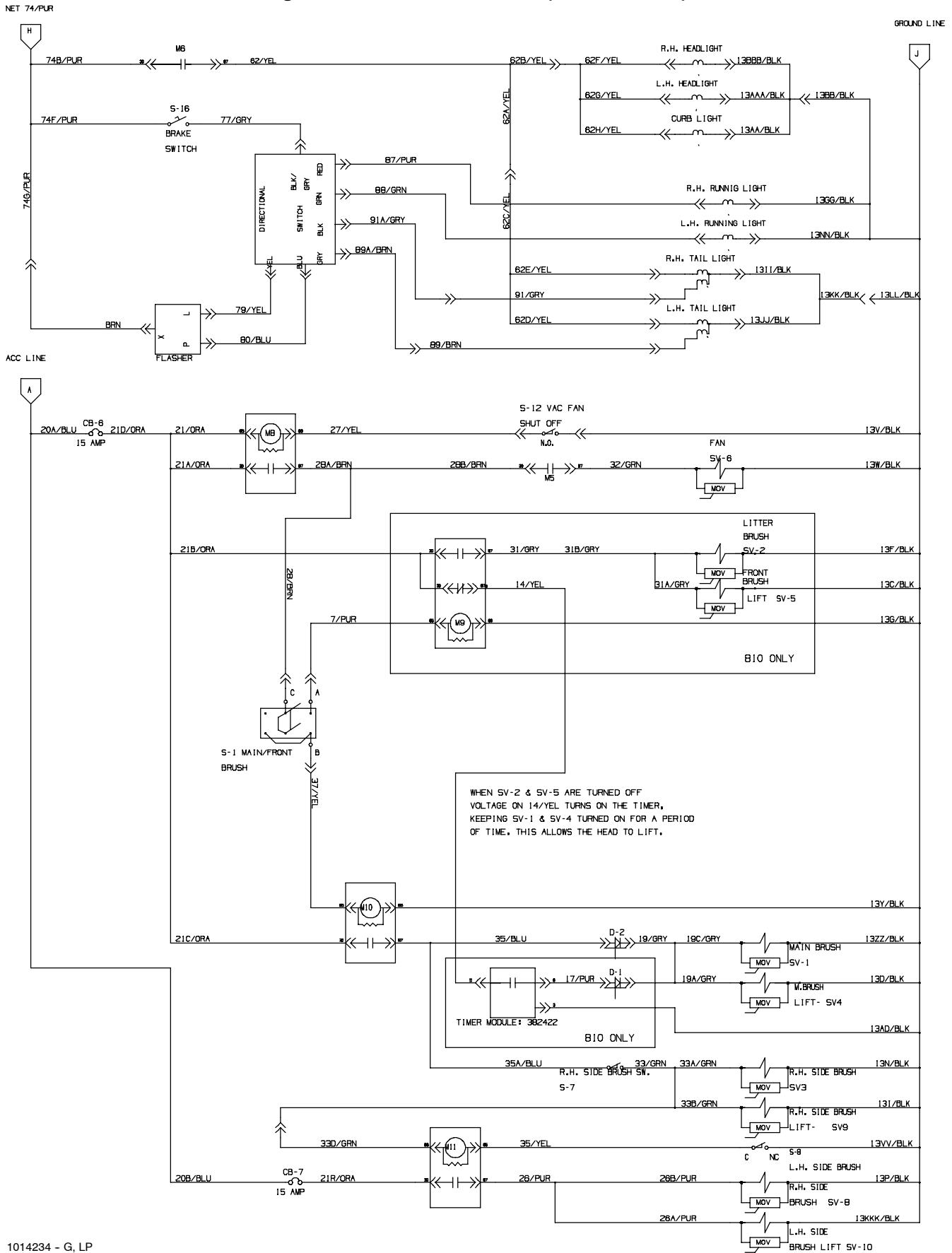
1014234 - G, LP

Fig. 90 - Electrical Schematic (004000- )



1014234 - G, LP

## Fig. 90 - Electrical Schematic (004000- )



1014234 - G, LP

Fig. 90 - Electrical Schematic (004000- )

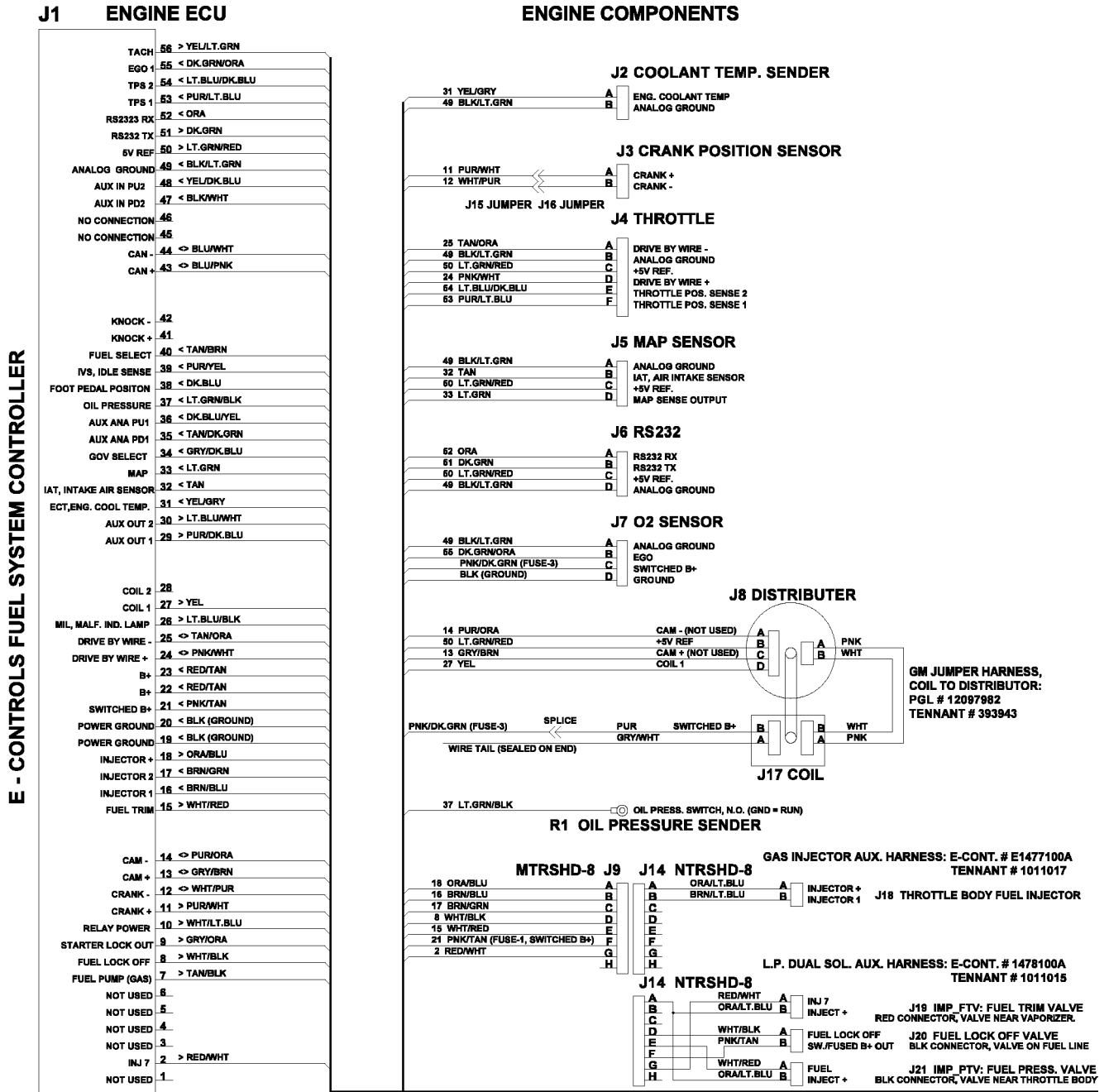
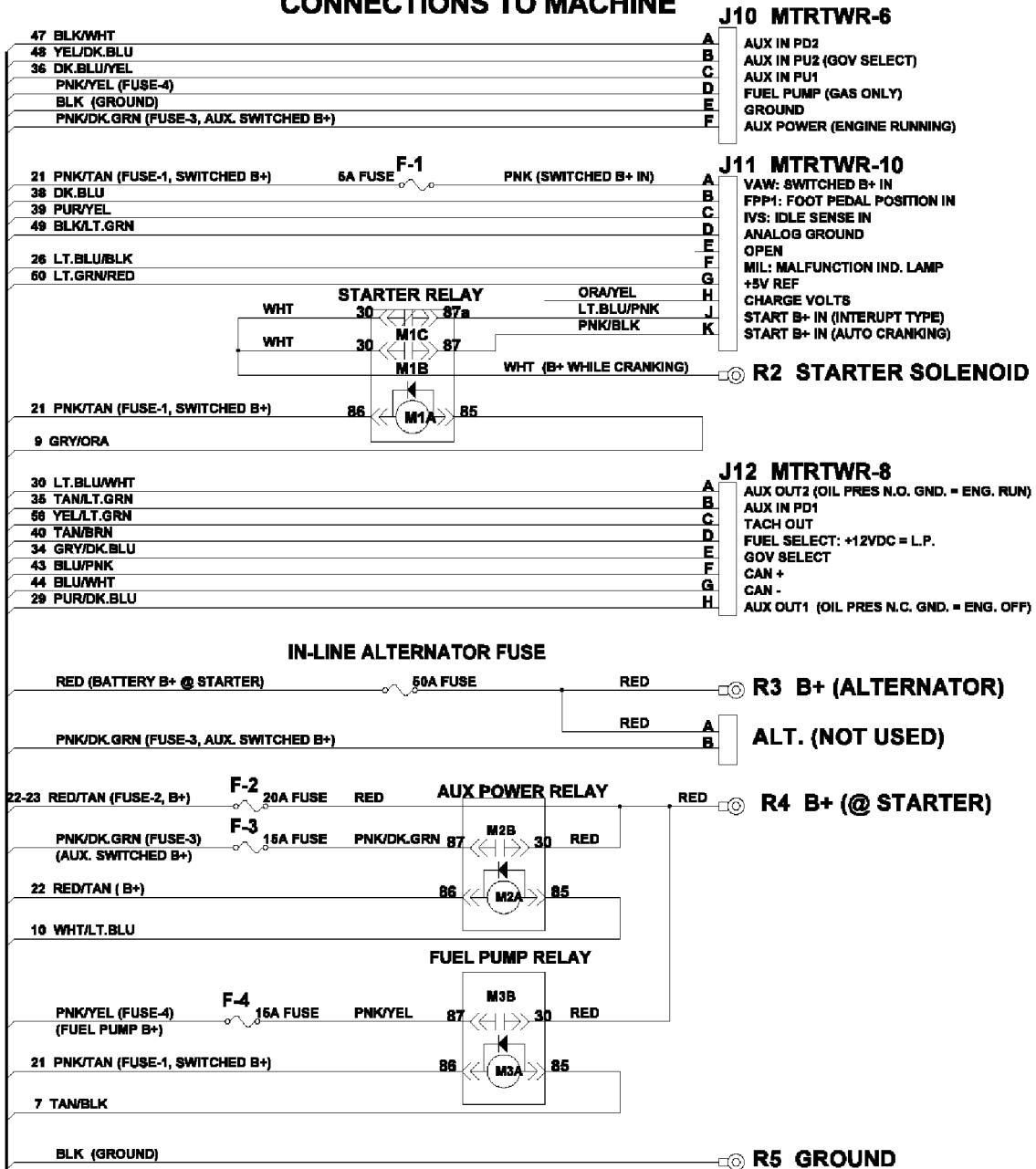
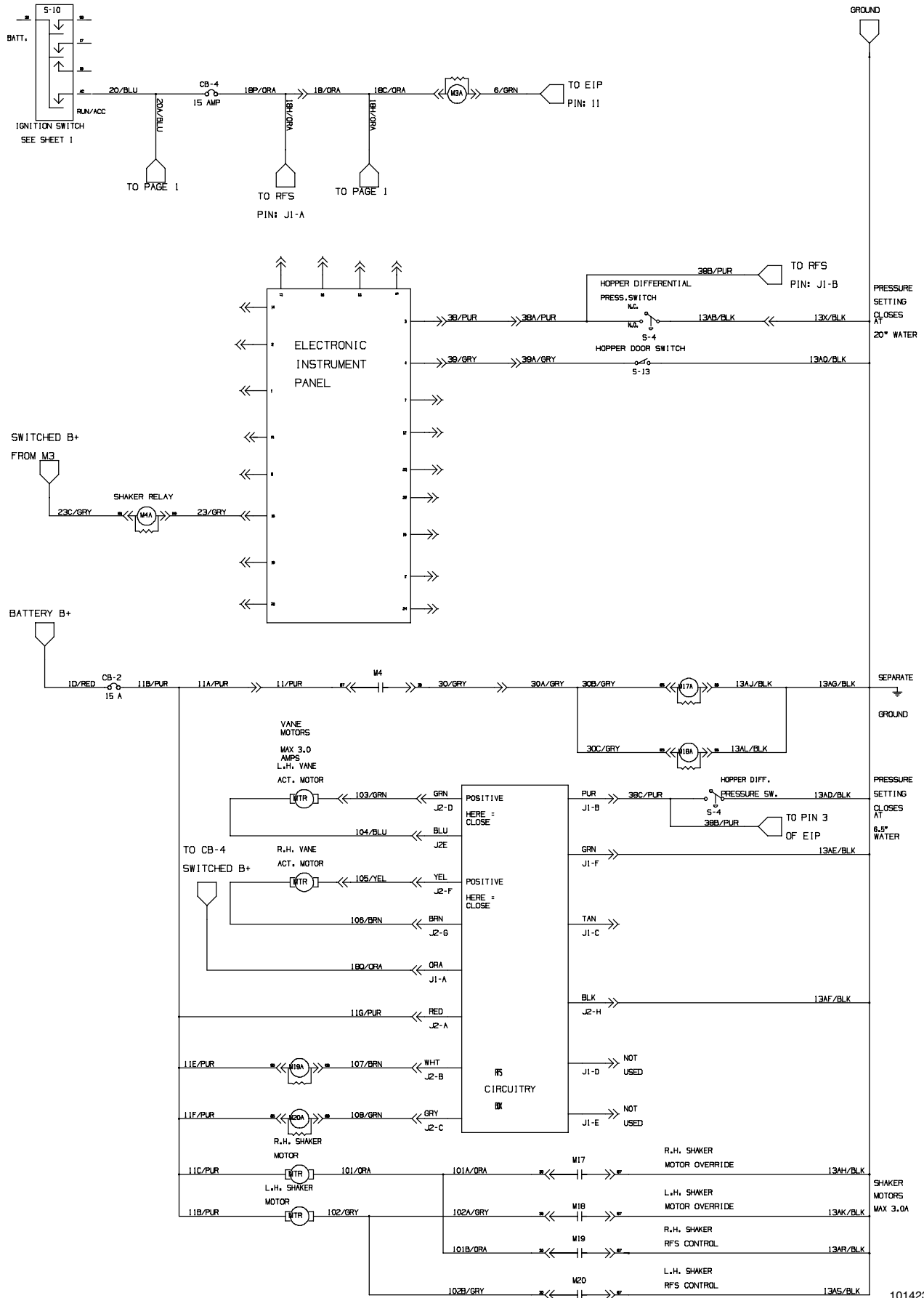


Fig. 90 - Electrical Schematic (004000- )  
**CONNECTIONS TO MACHINE**



- NOTES:**
- 1) VENDOR: E-CONTROLS #E1350010E
  - 2) ALL WIRE TO BE: SAE J1128 TXL
  - 3) 3.0L GAS ENGINES INC. AUX. INJECTOR HARNESS: E-CONTROLS #E1477100A / TENNANT #1011017.
  - 4) L.P. ENGINES INCLUDE AUX. INJECTOR HARNESS: E-CONTROLS #E1478100 / TENNANT #1011015

Fig. 90 - Electrical Schematic (004000- )



1014234 - G, LP

Fig. 91 - Wire Harness Group, Gas/LPG, Main (003000-003057)

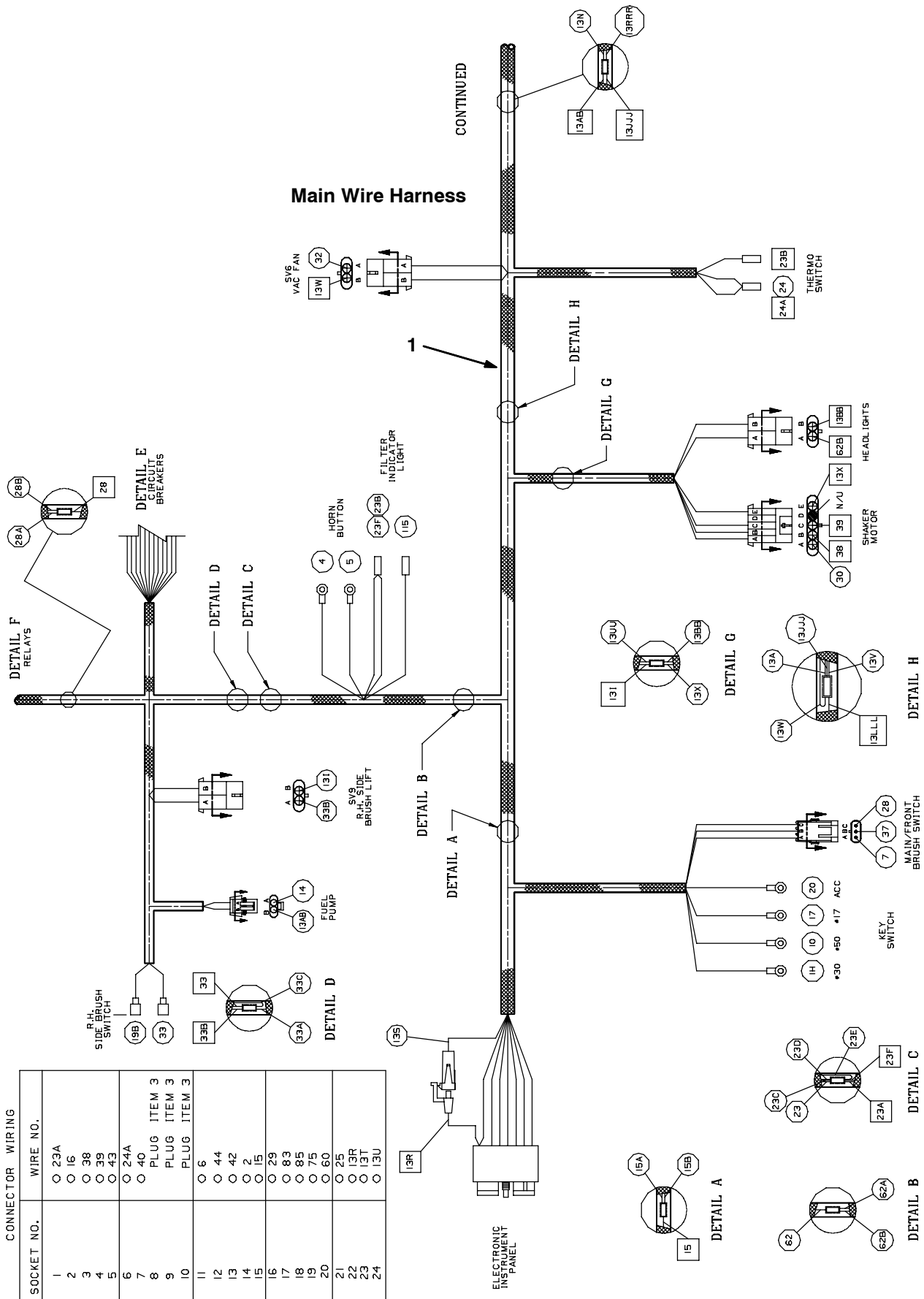




Fig. 91 - Wire Harness Group, Gas/LPG, Main (003000-003057)

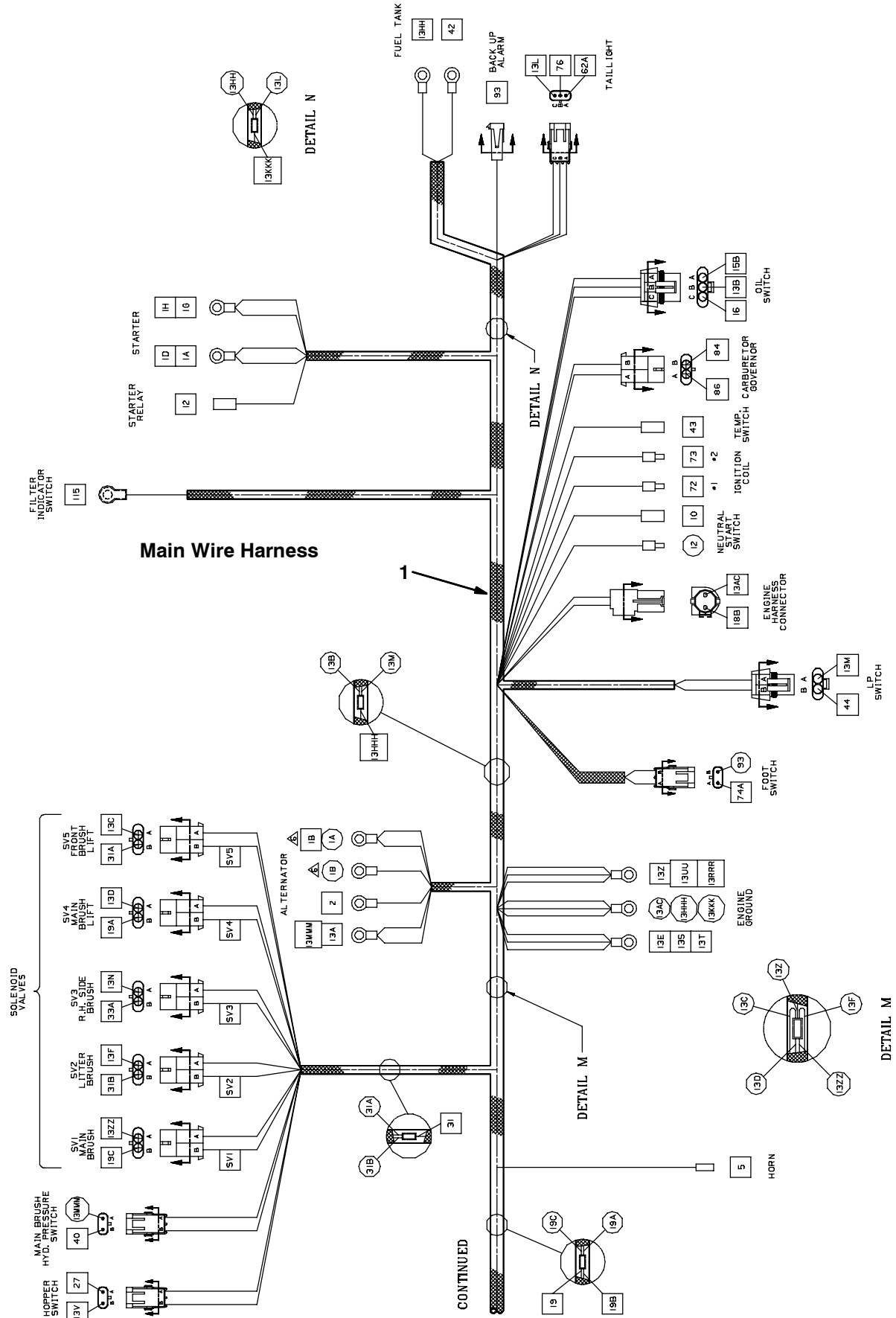
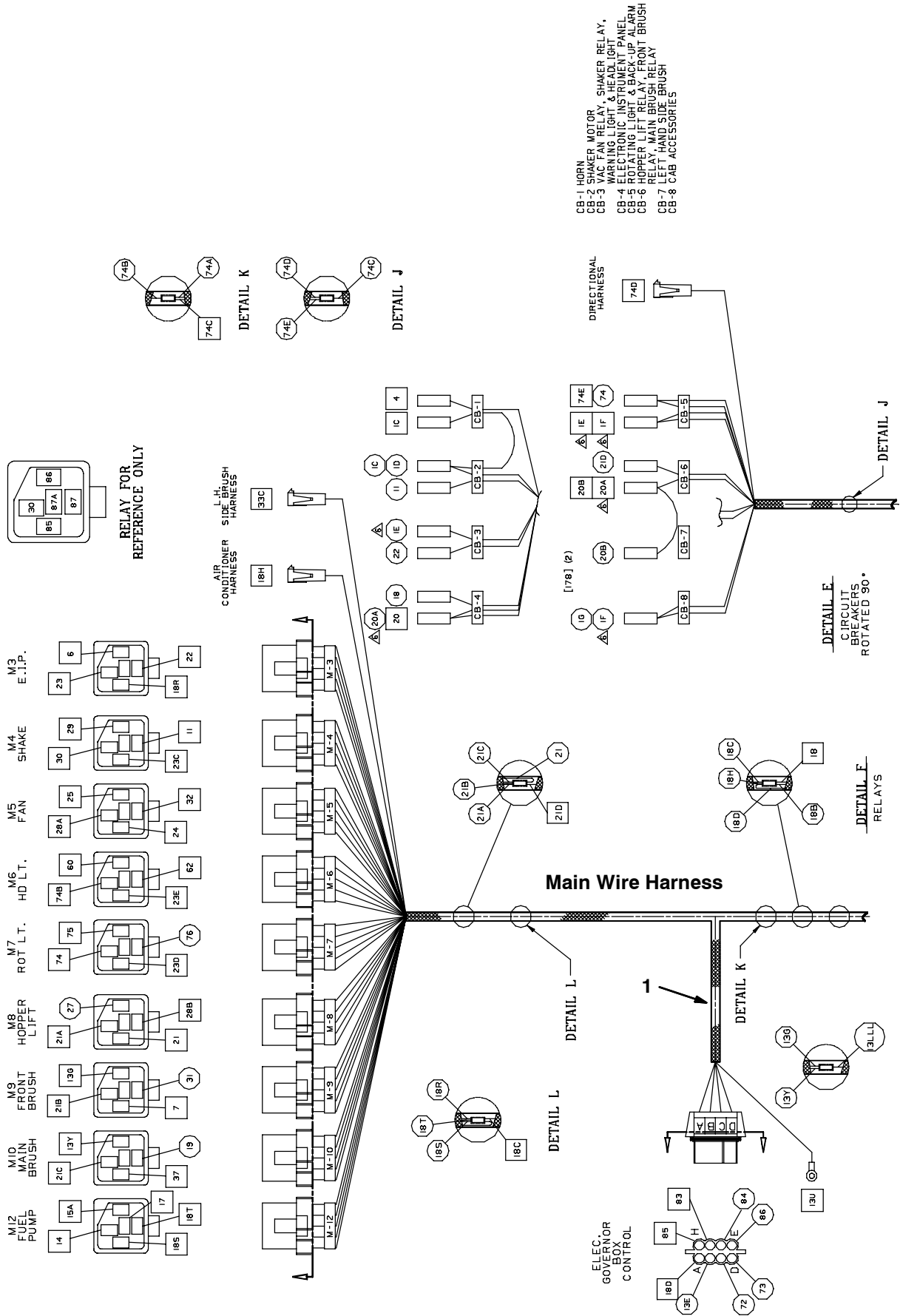


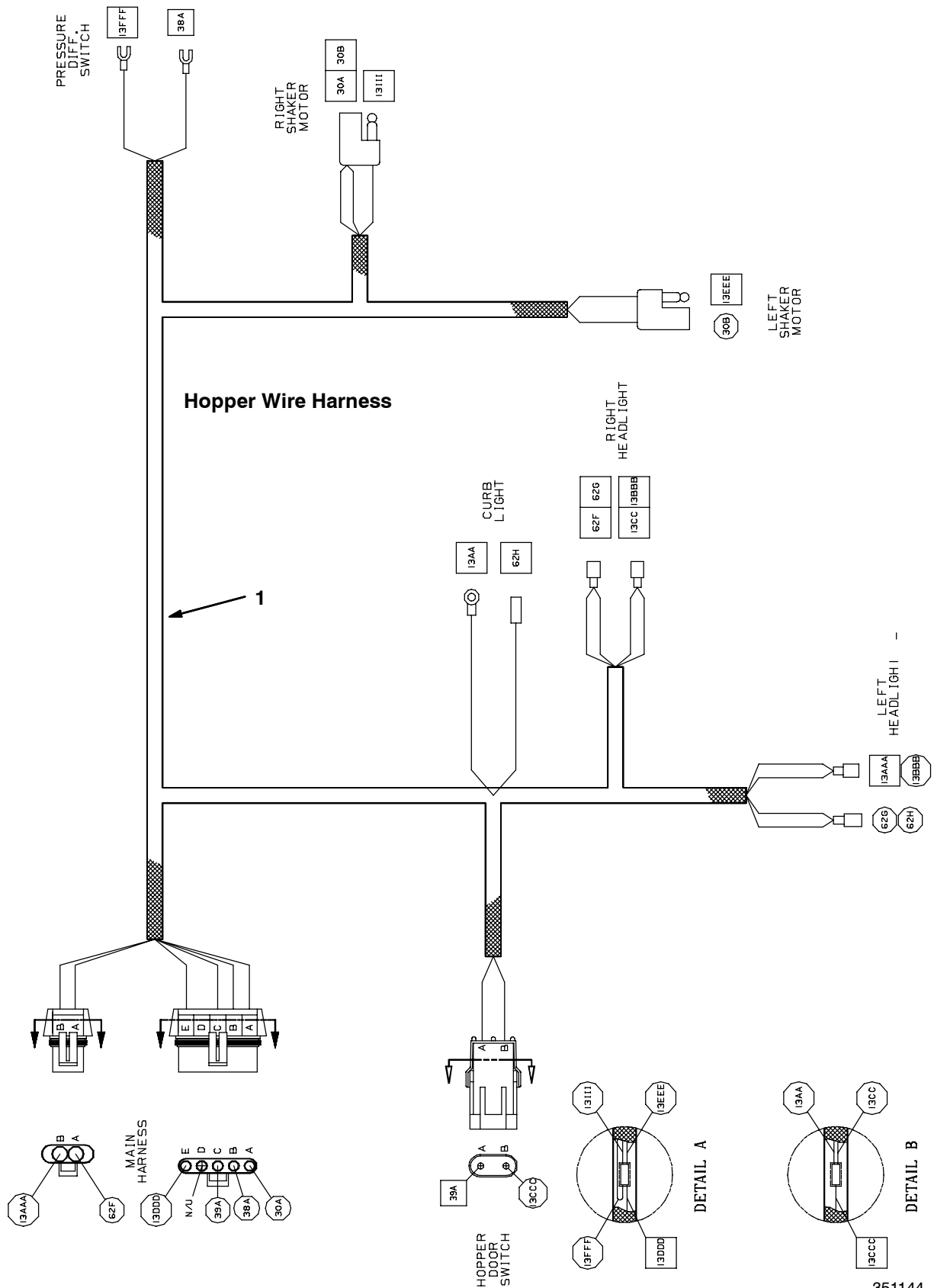
Fig. 91 - Wire Harnesses Group, Gas/LPG, Main (003000-003057)



**Fig. 91 - Wire Harnesses Group, Gas/LPG, Main (003000-003057)**

<b>Ref.</b>	<b>Part No.</b>	<b>Serial Number</b>	<b>Description</b>	<b>Qty.</b>
1	83693	(003000-003057 )	Harness, Main, Gas/LPG, Lrg	1

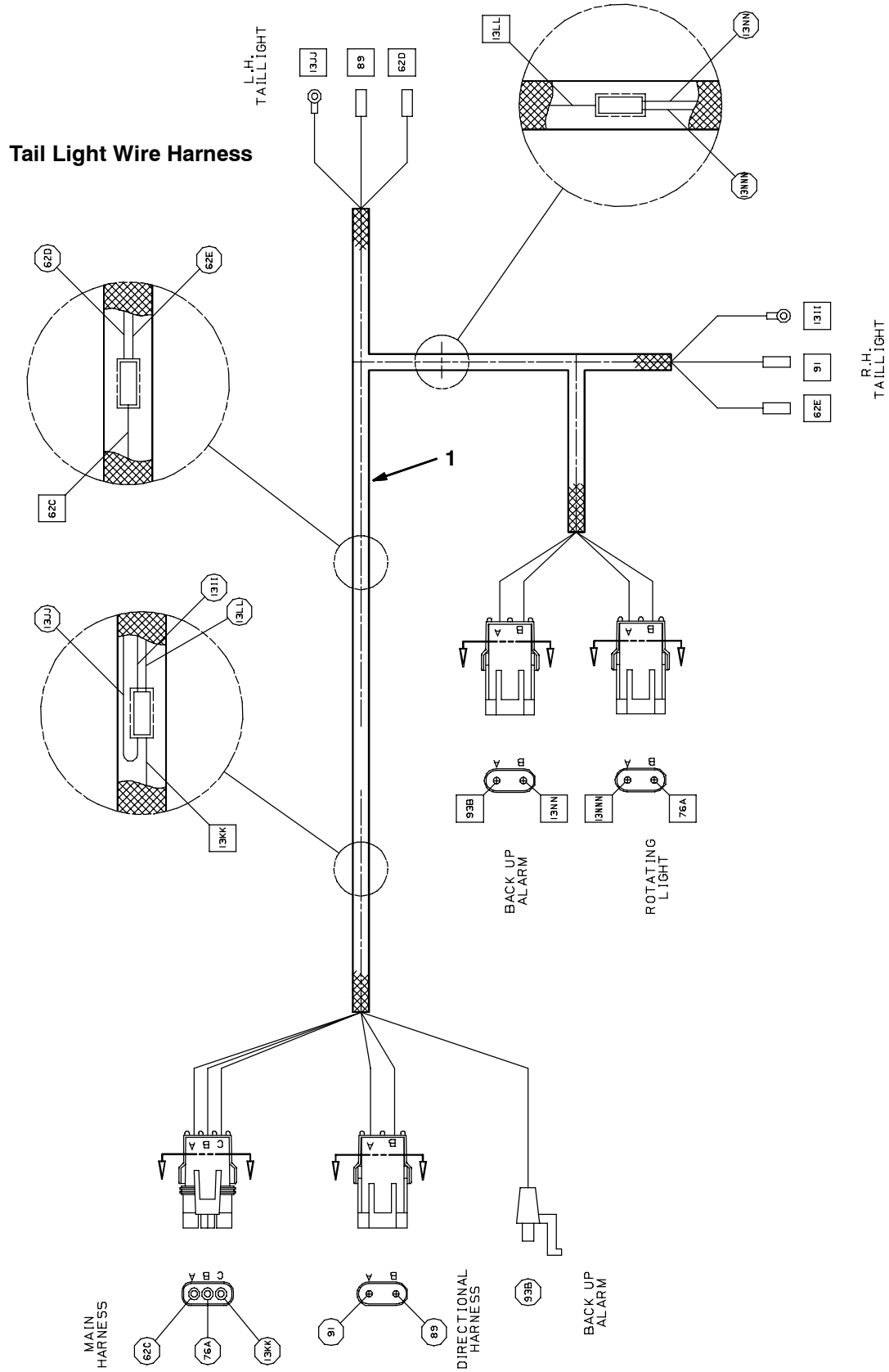
**Fig. 92 - Wire Harnesses Group, Gas/LPG, Hopper (003000- )**



351144 - G, LP

Ref.	Part No.	Serial Number	Description	Qty.
1	83695	(003000- )	Harness, Hopper 800/810	1

Fig. 93 - Wire Harnesses Group, Gas/LPG, Tail Lights (003000- )



351144 - G, LP

Ref.	Part No.	Serial Number	Description	Qty.
1	70400	(003000- )	Harness, Turn/Rotate/Tail Lights	1

Fig. 94 - Wire Harness Group, Gas/LPG, Main (003058-003178)

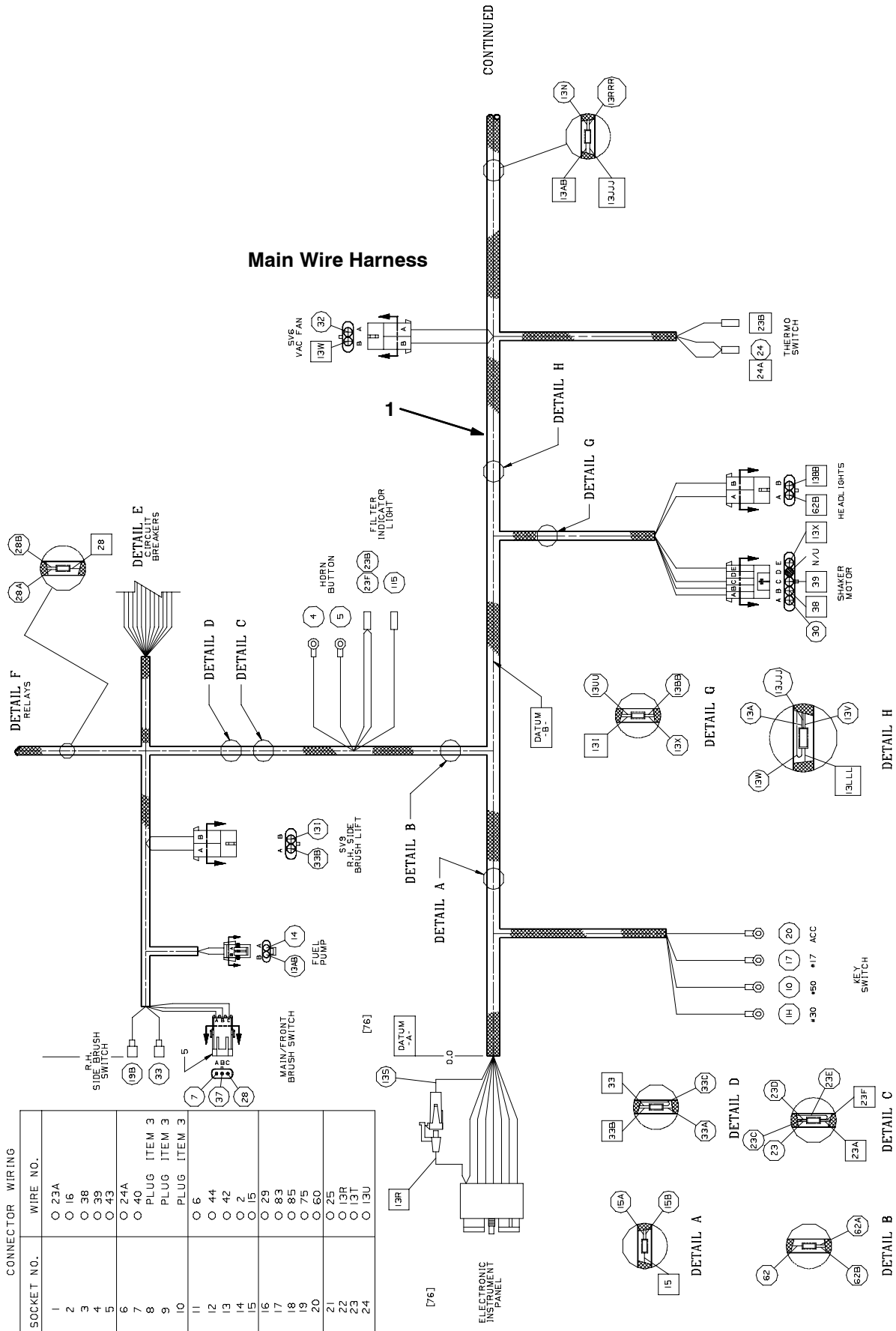
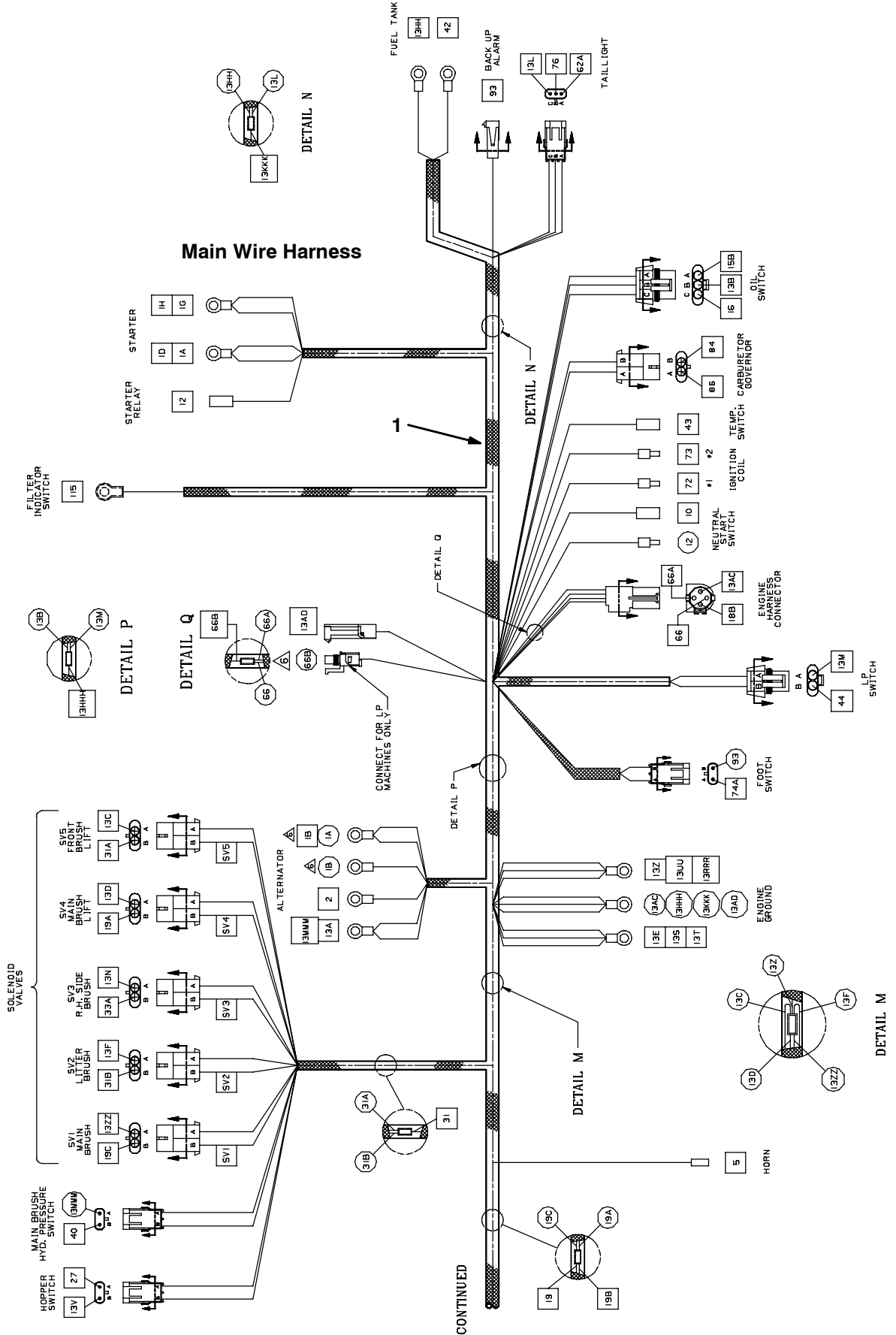
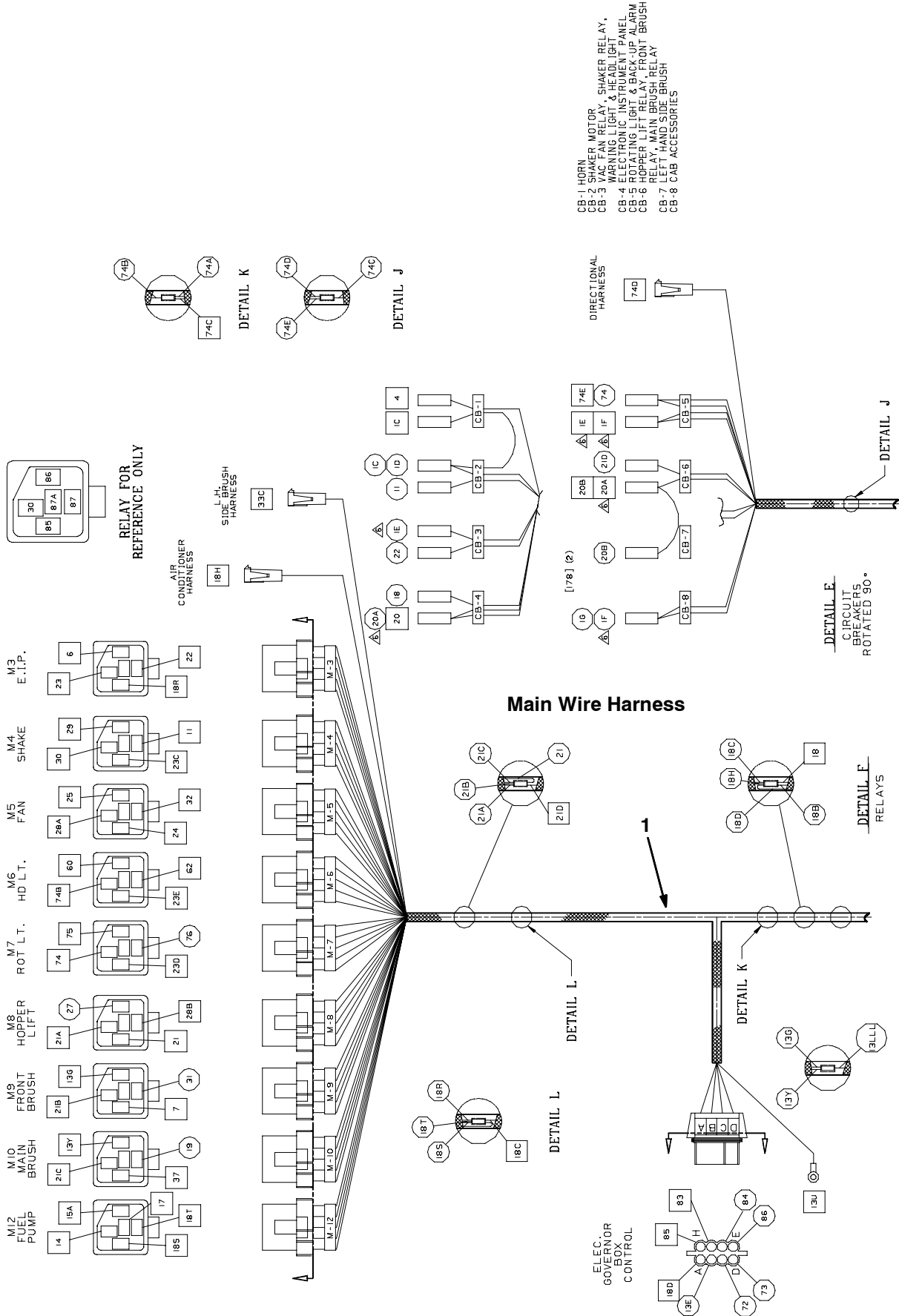


Fig. 94 - Wire Harness Group, Gas/LPG, Main (003058-003178)



**Fig. 94 - Wire Harnesses Group, Gas/LPG, Main (003058-003178)**

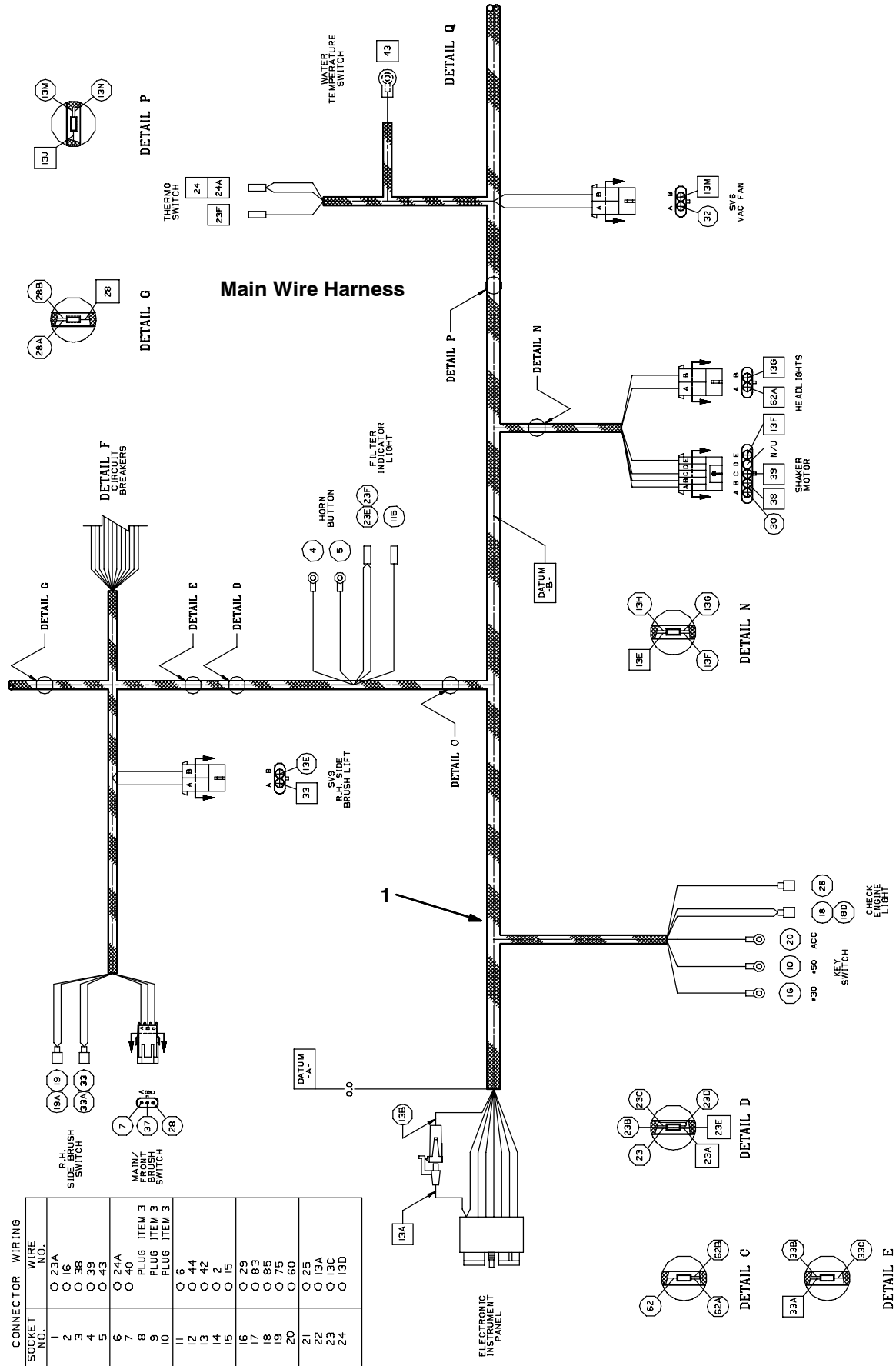




**Fig. 94 - Wire Harnesses Group, Gas/LPG, Main (003058-003178)**

<b>Ref.</b>	<b>Part No.</b>	<b>Serial Number</b>	<b>Description</b>	<b>Qty.</b>
1	398315	(003058-003178 )	Harness, Main, Gas/LPG, Lrg	1

Fig. 95 - Wire Harness Group, Gas/LPG, Main (003179- )



CONNECTOR WIRING	WIRE NO.
1	○ 23A
2	○ 16
3	○ 38
4	○ 39
5	○ 43
6	○ 24A
7	○ 40
8	○ PLUG ITEM 3
9	○ PLUG ITEM 3
10	○ PLUG ITEM 3
11	○ 6
12	○ 44
13	○ 42
14	○ 2
15	○ 15
16	○ 29
17	○ 83
18	○ 75
19	○ 75
20	○ 60
21	○ 25
22	○ 13A
23	○ 13C
24	○ 13D

Fig. 95 - Wire Harnesses Group, Gas/LPG, Main (003179- )

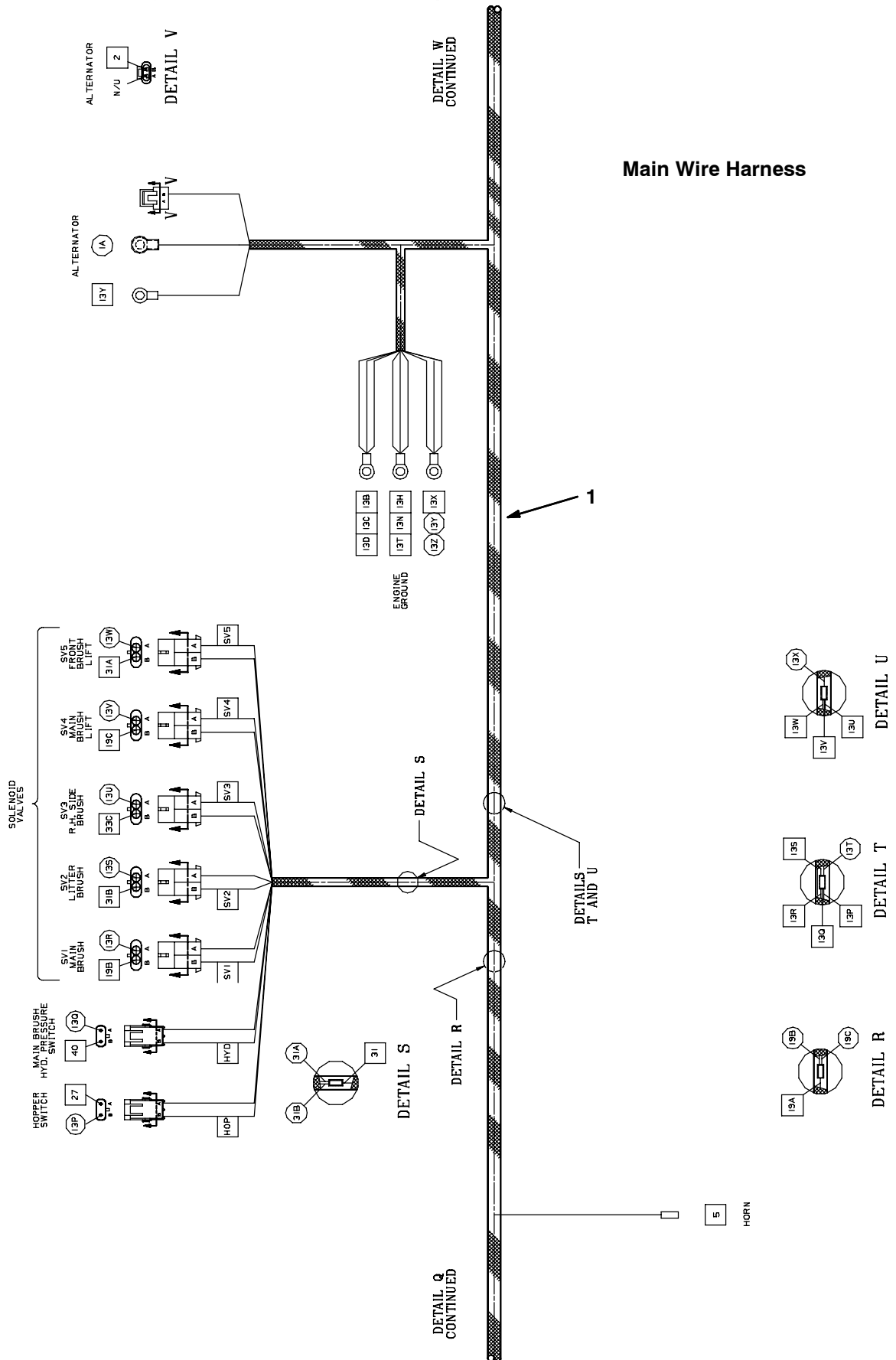


Fig. 95 - Wire Harnesses Group, Gas/LPG, Main (003179- )

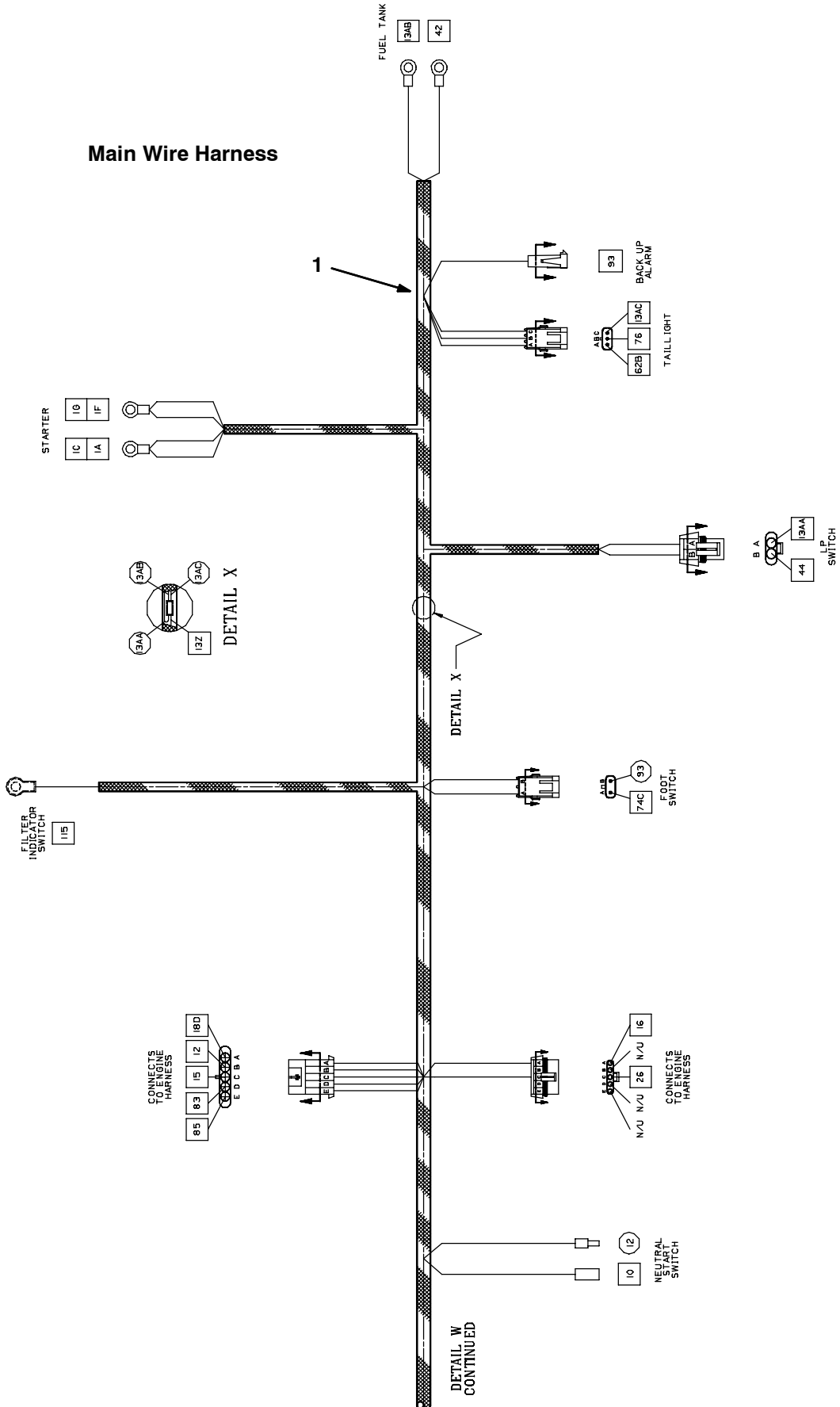
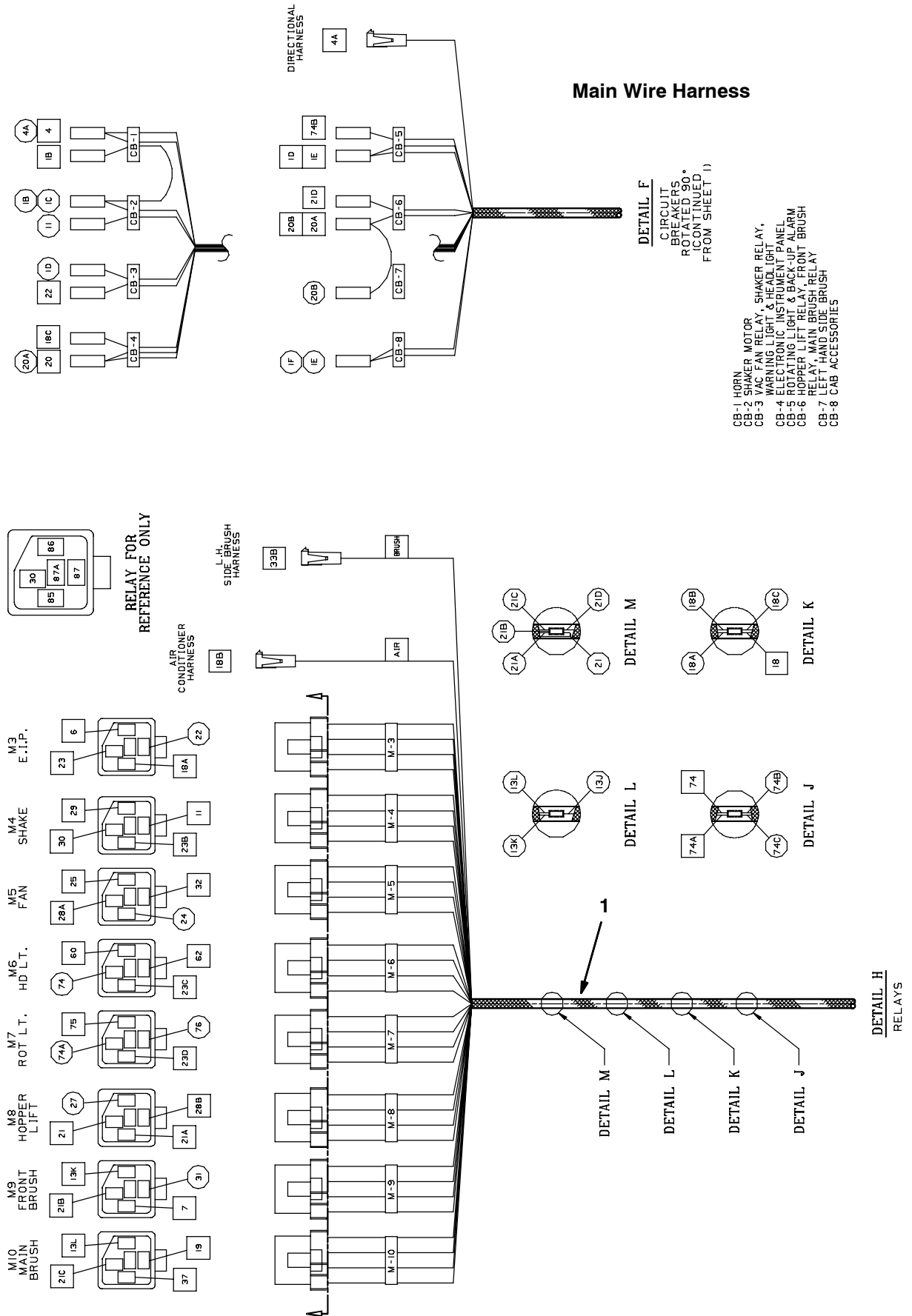


Fig. 95 - Wire Harnesses Group, Gas/LPG, Main (003179- )



# STANDARD PARTS

353876 - G, LP

**Fig. 95 - Wire Harnesses Group, Gas/LPG, Main (003179- )**

<b>Ref.</b>	<b>Part No.</b>	<b>Serial Number</b>	<b>Description</b>	<b>Qty.</b>
1	392564	(003179- )	Harness, Main, Gas/LPG, Lrg	1
	371921	(003179-003999 )	Harness, Gm 3.0 L Engine Harness	1

Fig. 96 - Wire Harnesses Group, Gas/LPG, Engine (004000-004499)

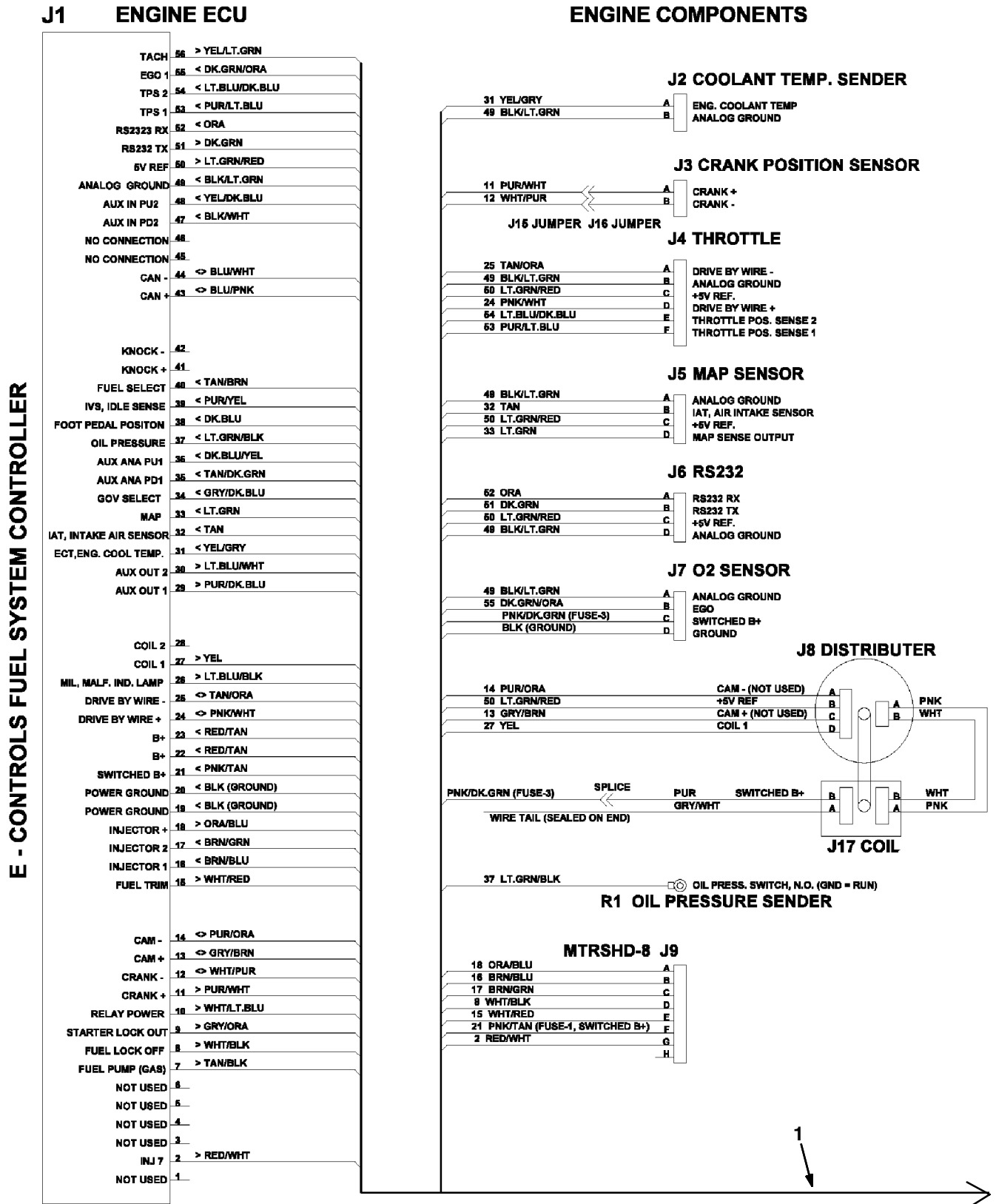


Fig. 96 - Wire Harnesses Group, Gas/LPG, Engine (004000-004499)

## CONNECTIONS TO MACHINE

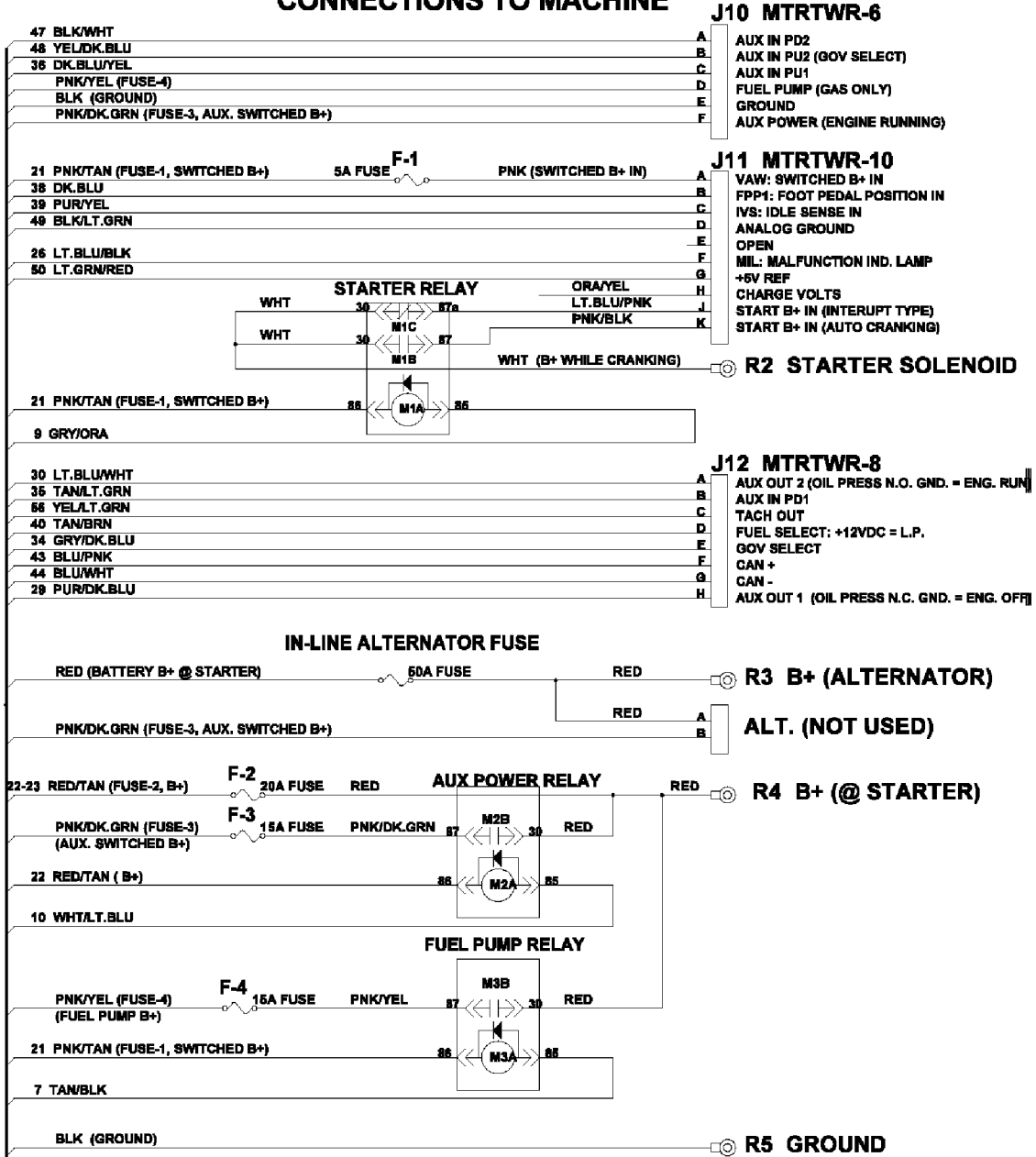
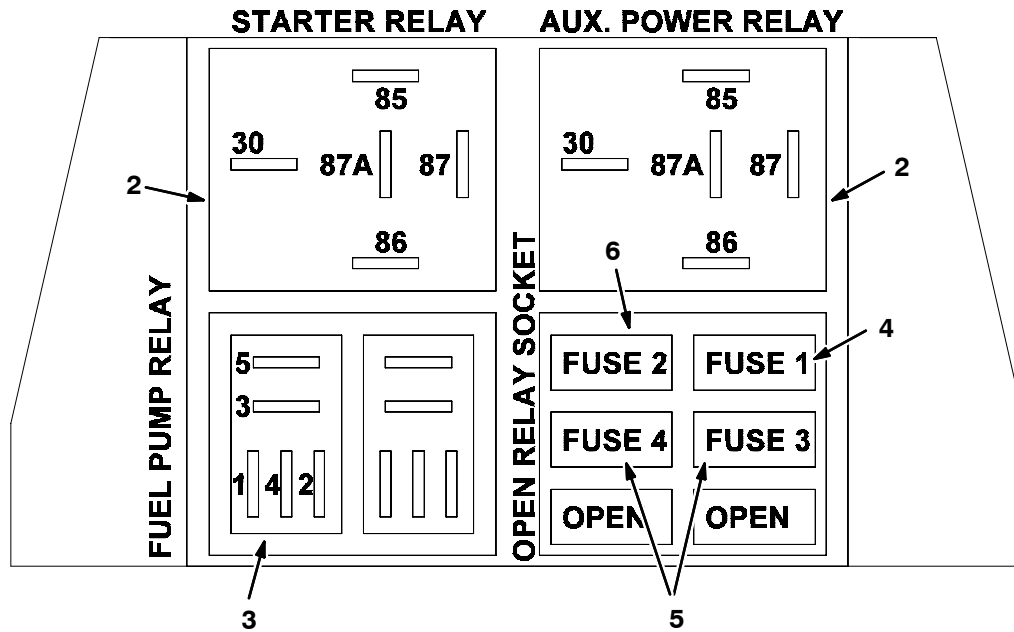




Fig. 96 - Wire Harnesses Group, Gas/LPG, Engine (004000-004499)



GM, G, LP

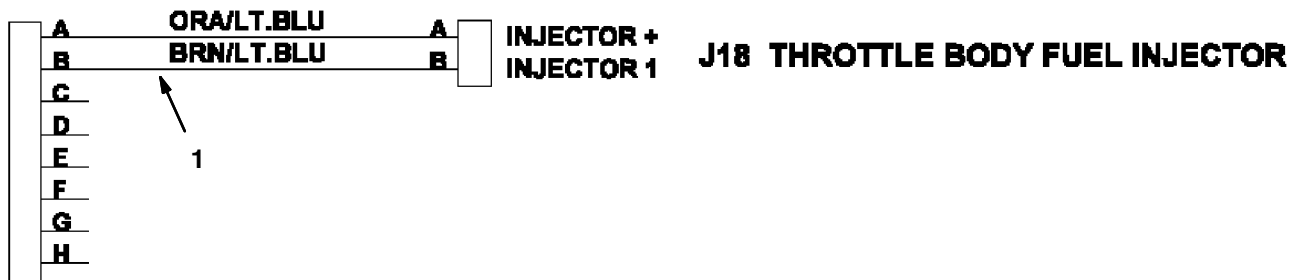
Ref.	Part No.	Serial Number	Description	Qty.
▽	1	1011011	(004000-004499 ) Harness, Eng [3.0l, Gm, E-cntrl]	1
▲	2	57804	(004000-004499 ) Relay, 12vdc, 40a, Spdt	2
▲	3	394916	(004000-004499 ) Relay, 12vdc, 20a, Spdt	1
▲	4	372235	(004000-004499 ) Fuse, 5 Amp, [Min-5]	1
▲	5	372236	(004000-004499 ) Fuse, 15 Amp, [Min-15]	2
▲	6	372237	(004000-004499 ) Fuse, 20 Amp, [Min-20]	1

# STANDARD PARTS

Fig. 97 - Wire Harnesses Group, Gas/LPG, Injectors (004000-004499)

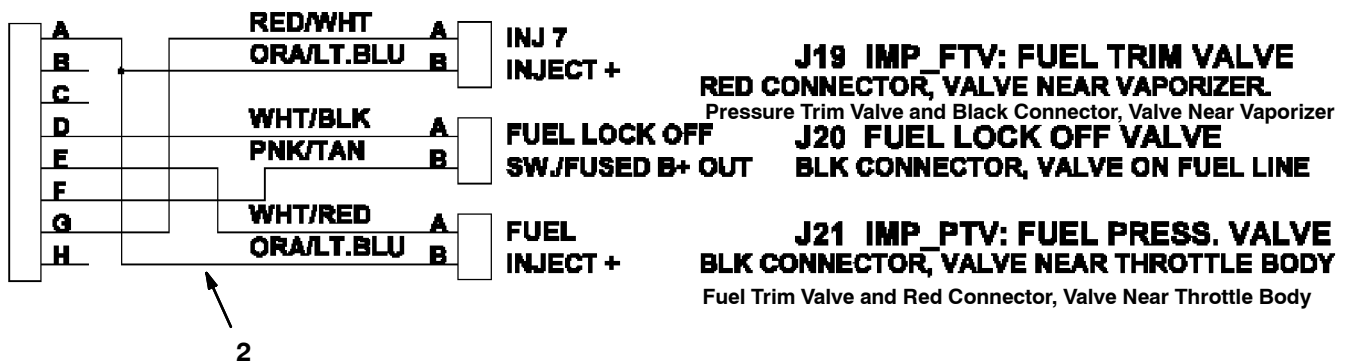
## GAS INJECTOR AUX. HARNESS

### J14 NTRSHD-8



## L.P. DUAL SOL. AUX. HARNESS

### J14 NTRSHD-8

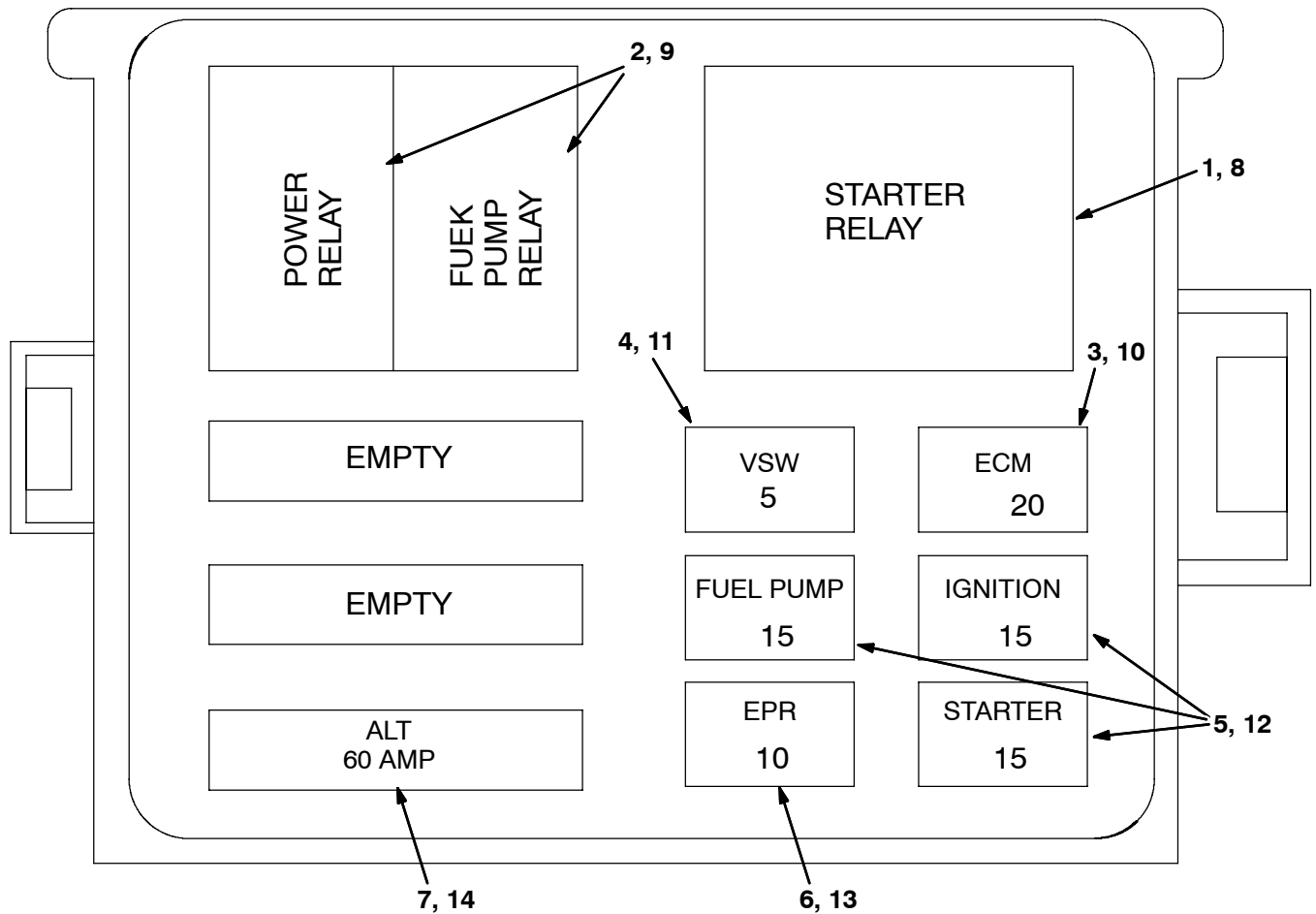


GM, G, LP

Ref.	Part No.	Serial Number	Description	Qty.
1	1011017	(004000-004499 )	Harness, Injector, Gas[3.0l Gm,E-Cntrl]	1
2	1011015	(004000-004499 )	Harness, Lpg Injector [3.0l, Gm,E-Cont]	1

**Fig. 98 - Wire Harnesses Group, Gas/LPG, Engine (004500- )**

**Gasoline/LPG Engine Harness  
(004500- )**



GM, G, LP

Ref.	Part No.	Serial Number	Description	Qty.
▽	385010	(004500- )	Harness, Eng, Gas [3.0l 2007]	1
▲	1 394916	(004500- )	Relay, 12vdc, 20a, Spdt	1
▲	2 57804	(004500- )	Relay, 12vdc, 40a, Spdt	2
▲	3 372237	(004500- )	Fuse, 20 Amp, [Min-20]	1
▲	4 372235	(004500- )	Fuse, 5 Amp, [Min-5]	1
▲	5 372236	(004500- )	Fuse, 15 Amp, [Min-15]	2
▲	6 384999	(004500- )	Fuse, 10 Amp	1
▲	7 384998	(004500- )	Fuse, 60 Amp	1
▽	385018	(004500- )	Harness, Eng, Lpg [3.0l 2007]	1
▲	8 394916	(004500- )	Relay, 12vdc, 20a, Spdt	1
▲	9 57804	(004500- )	Relay, 12vdc, 40a, Spdt	2
▲	10 372237	(004500- )	Fuse, 20 Amp, [Min-20]	1
▲	11 372235	(004500- )	Fuse, 5 Amp, [Min-5]	1
▲	12 372236	(004500- )	Fuse, 15 Amp, [Min-15]	2
▲	13 384999	(004500- )	Fuse, 10 Amp	1
▲	14 384998	(004500- )	Fuse, 60 Amp	1

# STANDARD PARTS

## Fig. 99 - Wire Harness Schematic, Gas Engine (004500- )

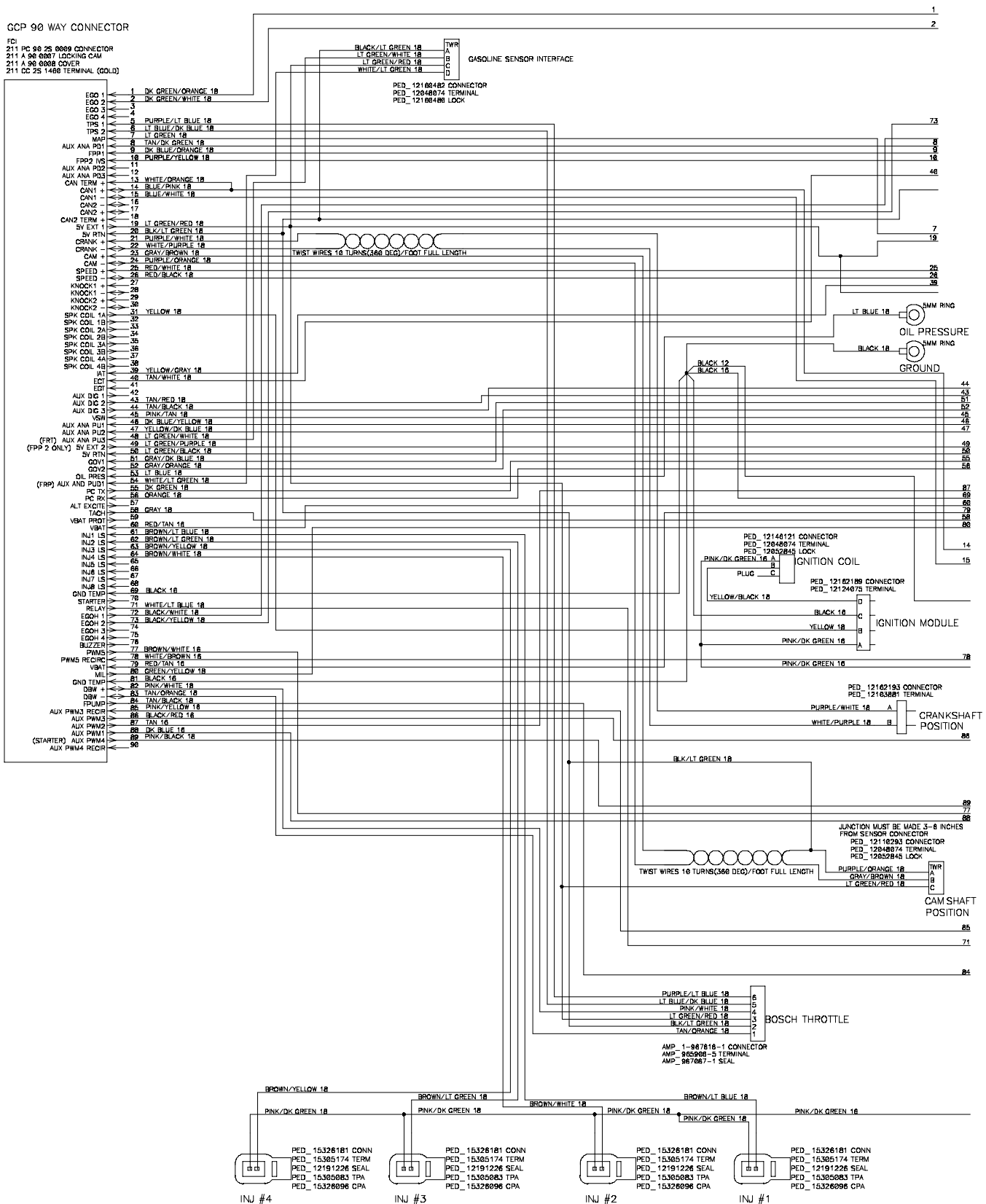


Fig. 99 - Wire Harness Schematic, Gas Engine (004500- )

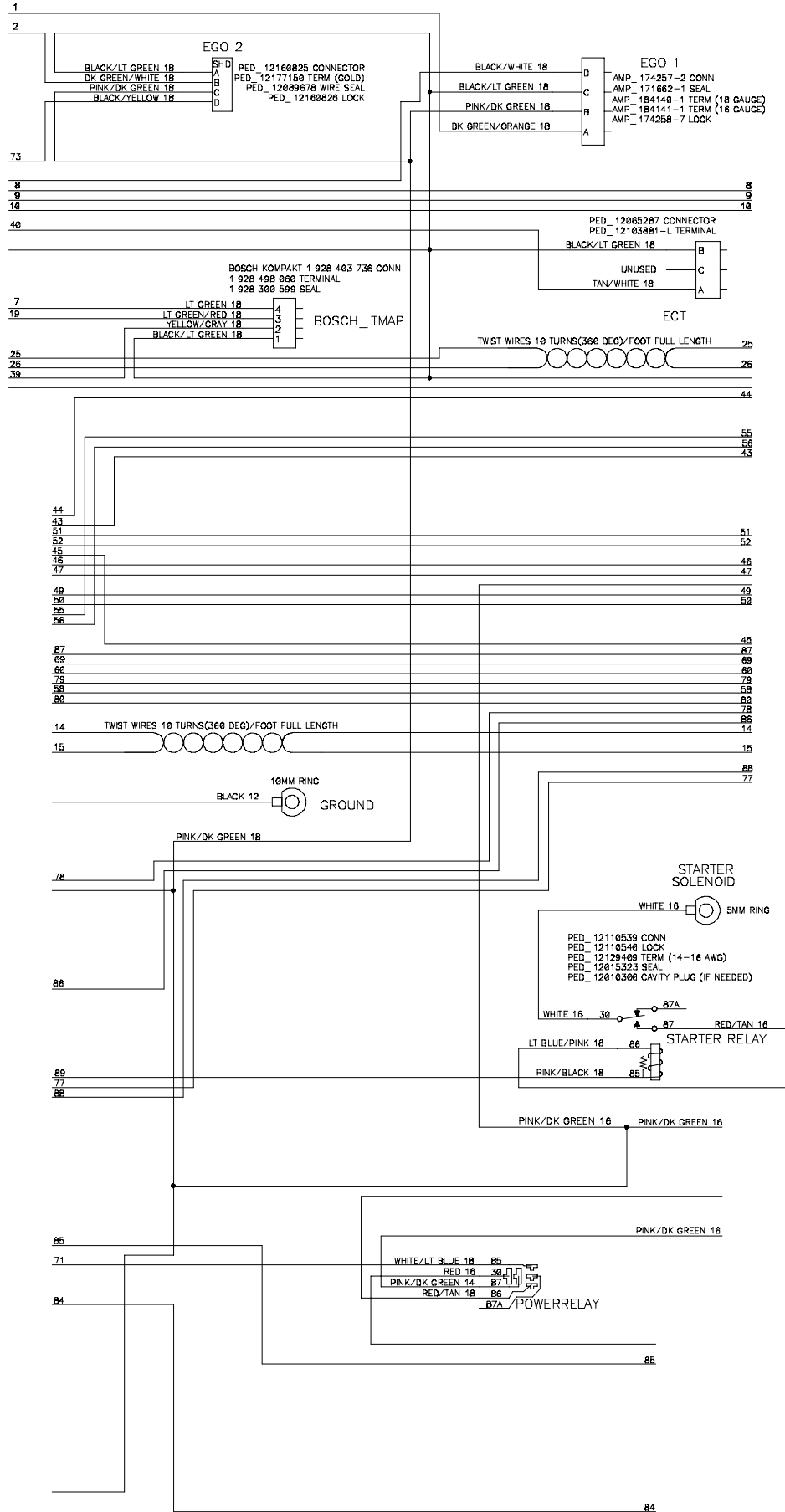


Fig. 99 - Wire Harness Schematic, Gas Engine (004500- )

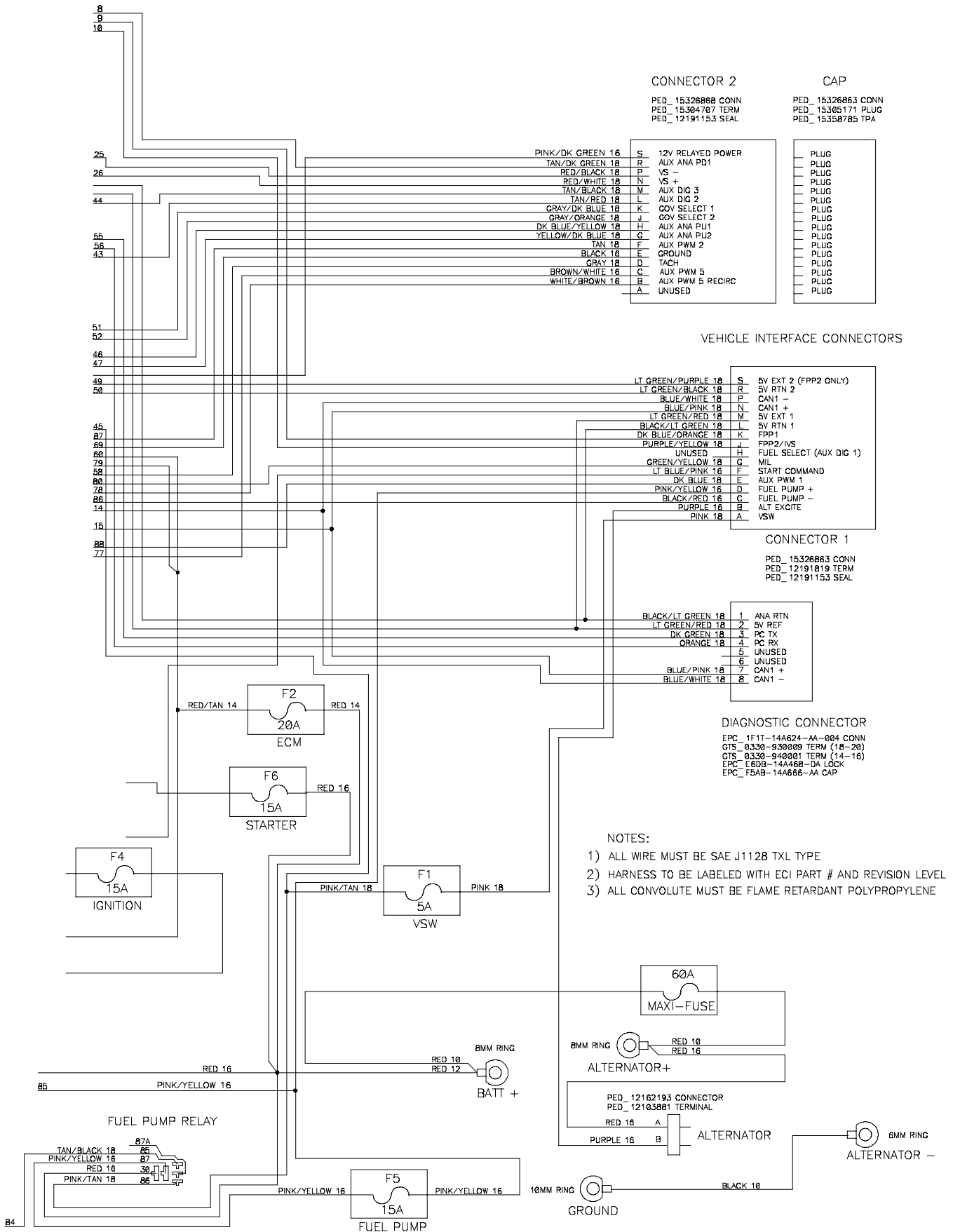


Fig. 100 - Wire Harness Schematic, LPG Engine (004500- )

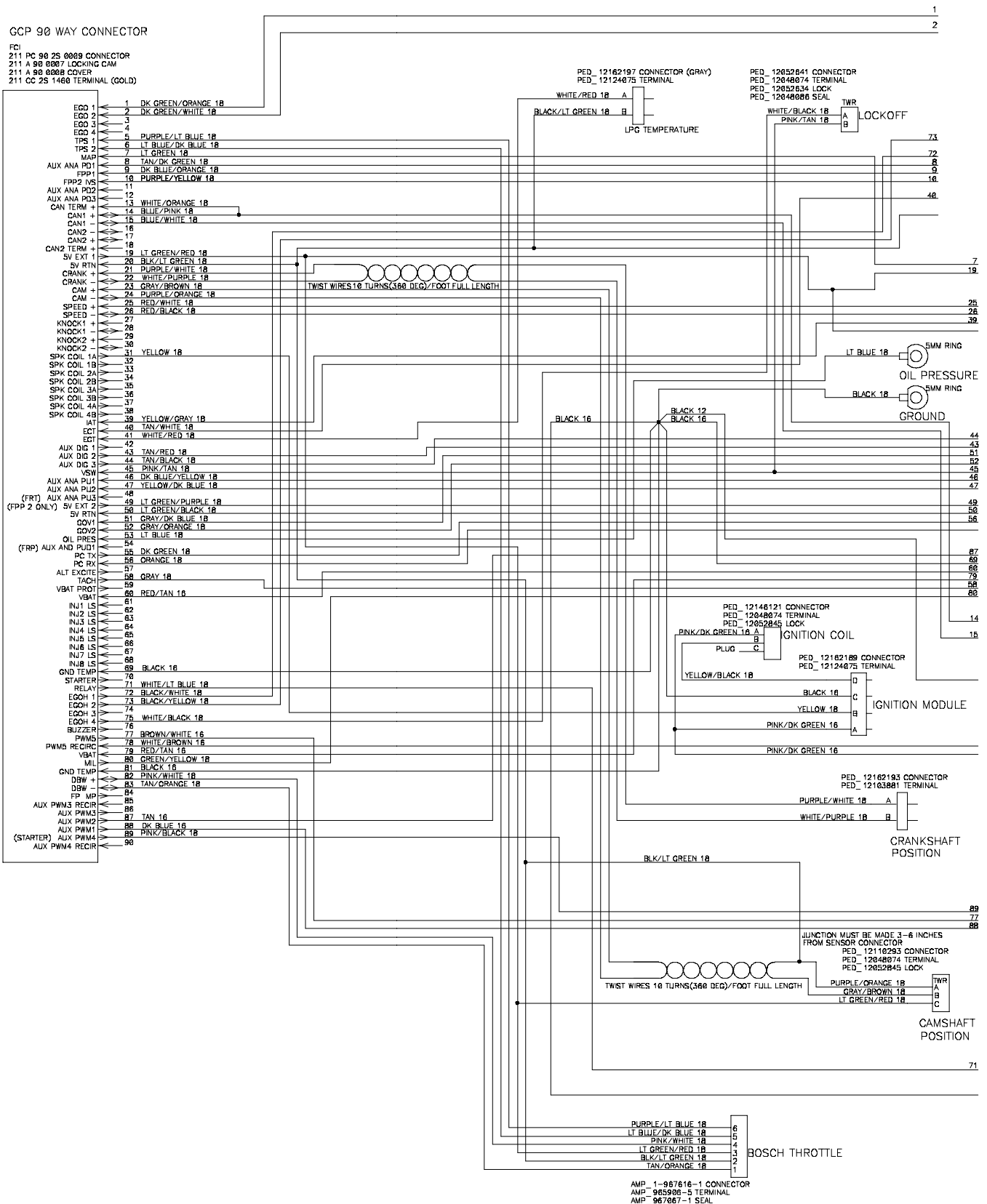


Fig. 100 - Wire Harness Schematic, LPG Engine (004500- )

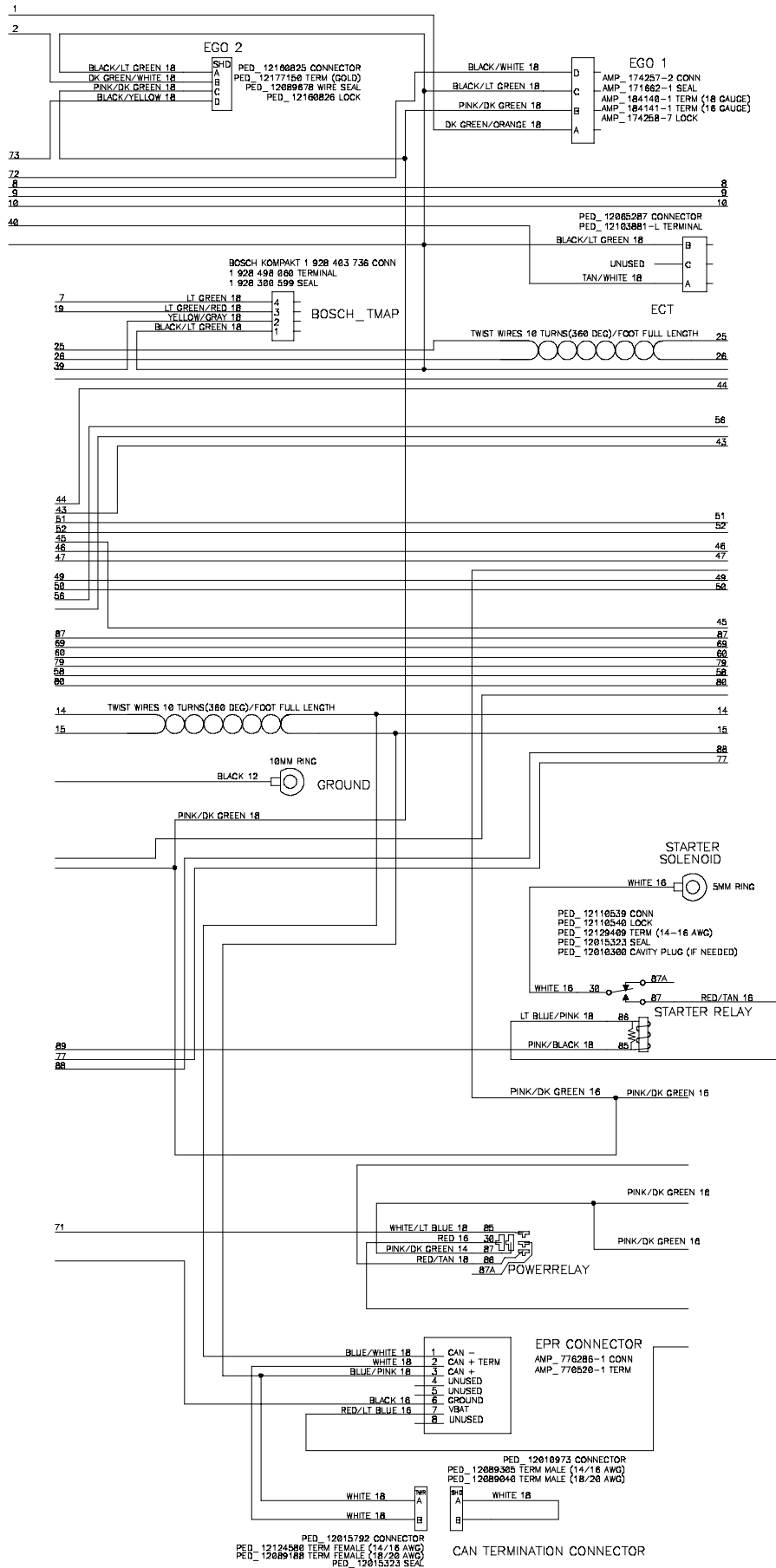
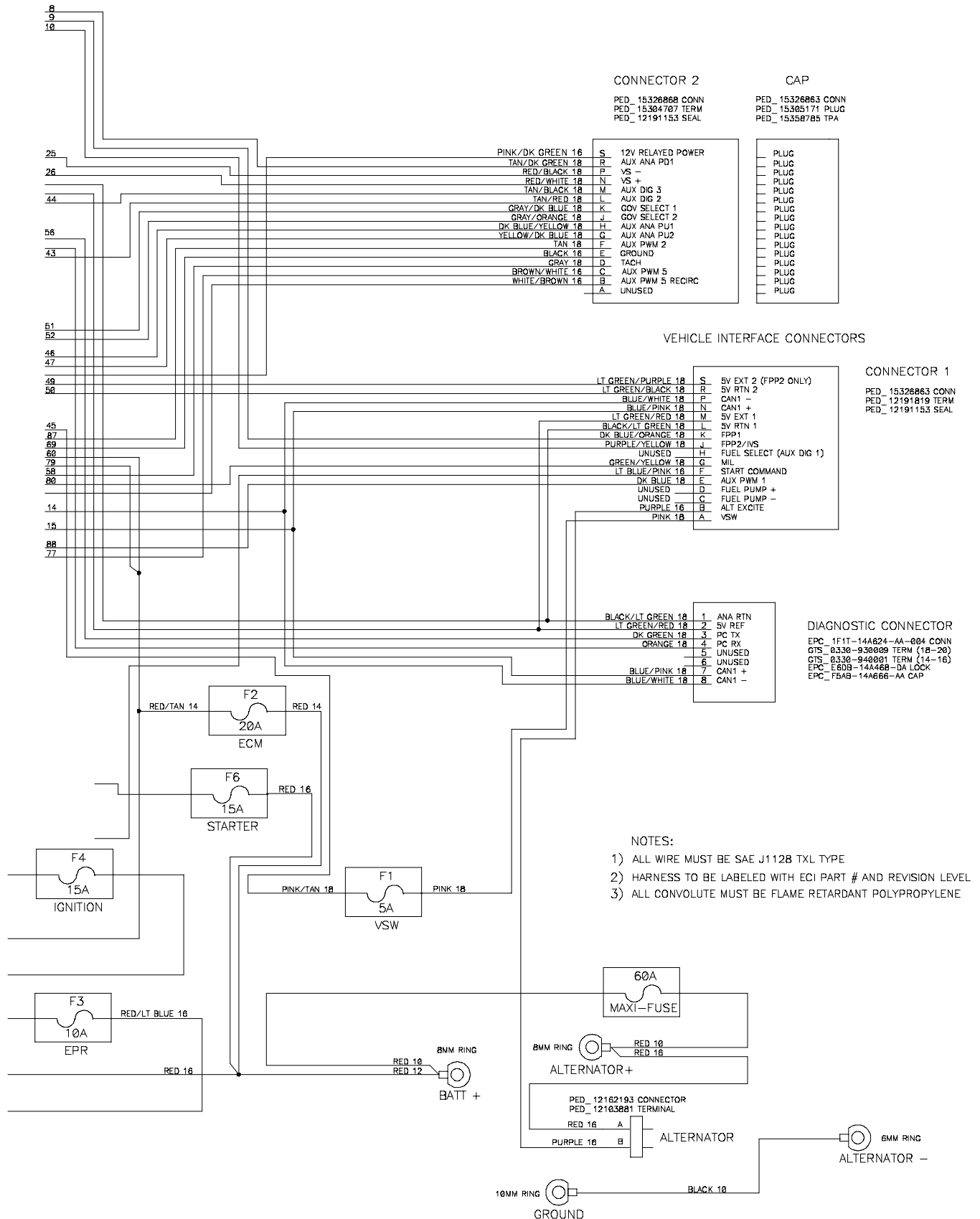




Fig. 100 - Wire Harness Schematic, LPG Engine (004500- )



# STANDARD PARTS

Fig. 101 - Wire Harnesses Group, Gas/LPG, Adaptor (004000-004499)

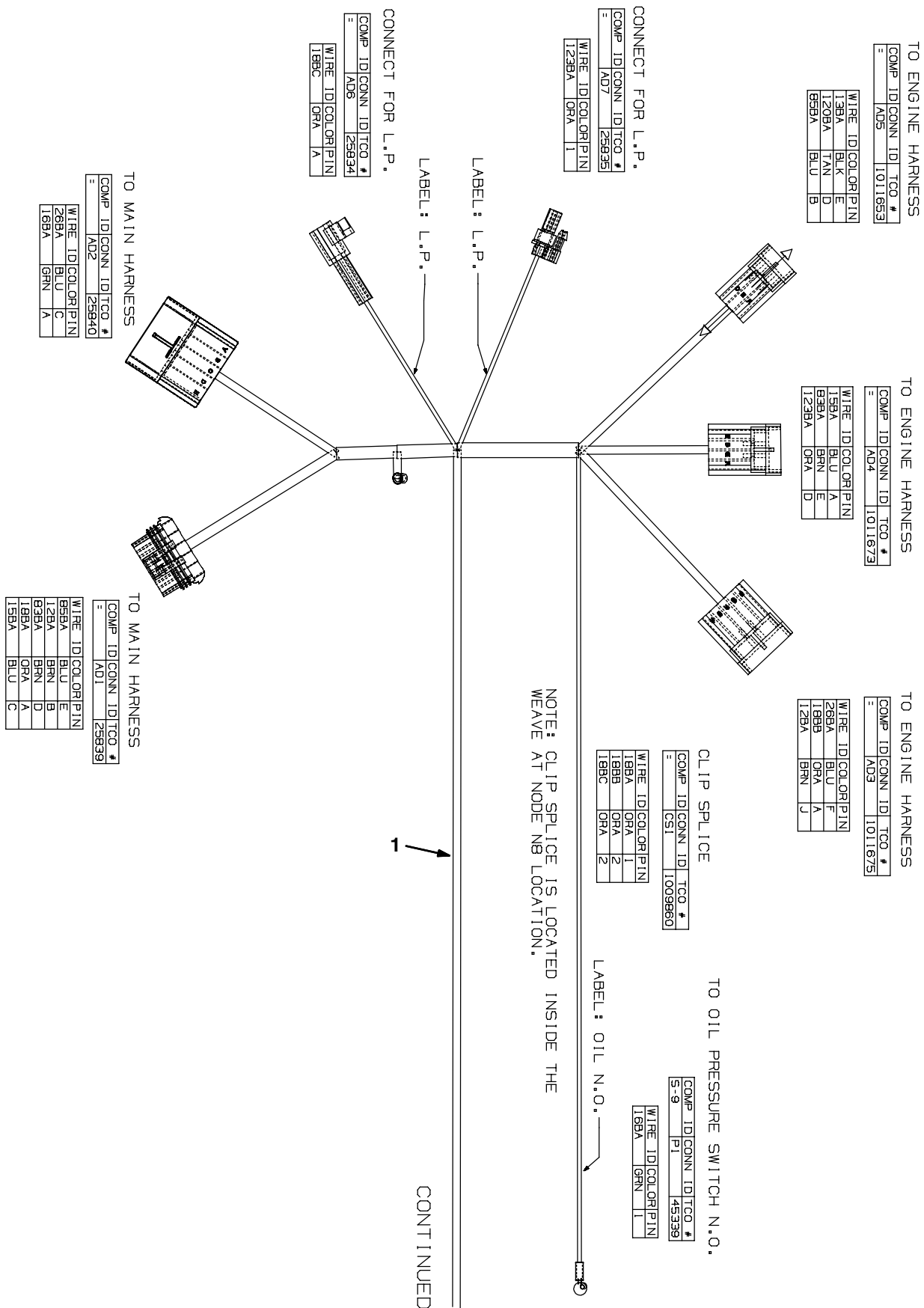
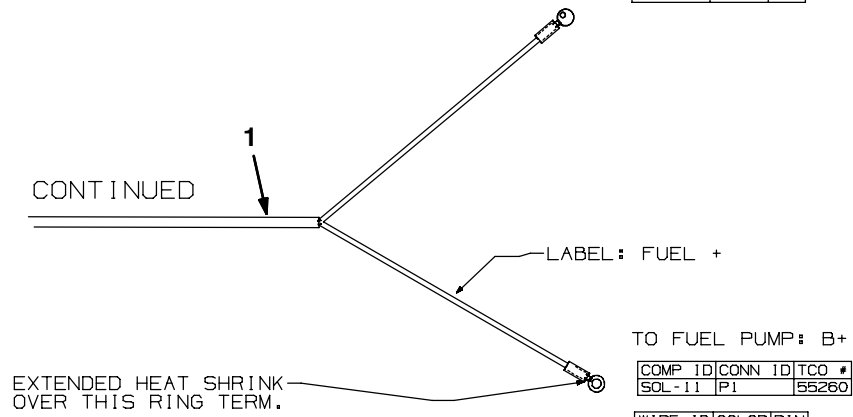


Fig. 101 - Wire Harnesses Group, Gas/LPG, Adaptor (004000-004499)

TO FUEL PUMP: GROUND

COMP ID	CONN ID	TCO #
SOL-11	P2	45339

WIRE ID	COLOR	PIN
13BA	BLK	1



GM, G, LP

Ref.	Part No.	Serial Number	Description	Qty.
1	1012033	(004000-004499 )	Harness, Adaptor [800/8410]	1

# STANDARD PARTS

Fig. 102 - Wire Harnesses Group, Gas/LPG, Adaptor (004500- )

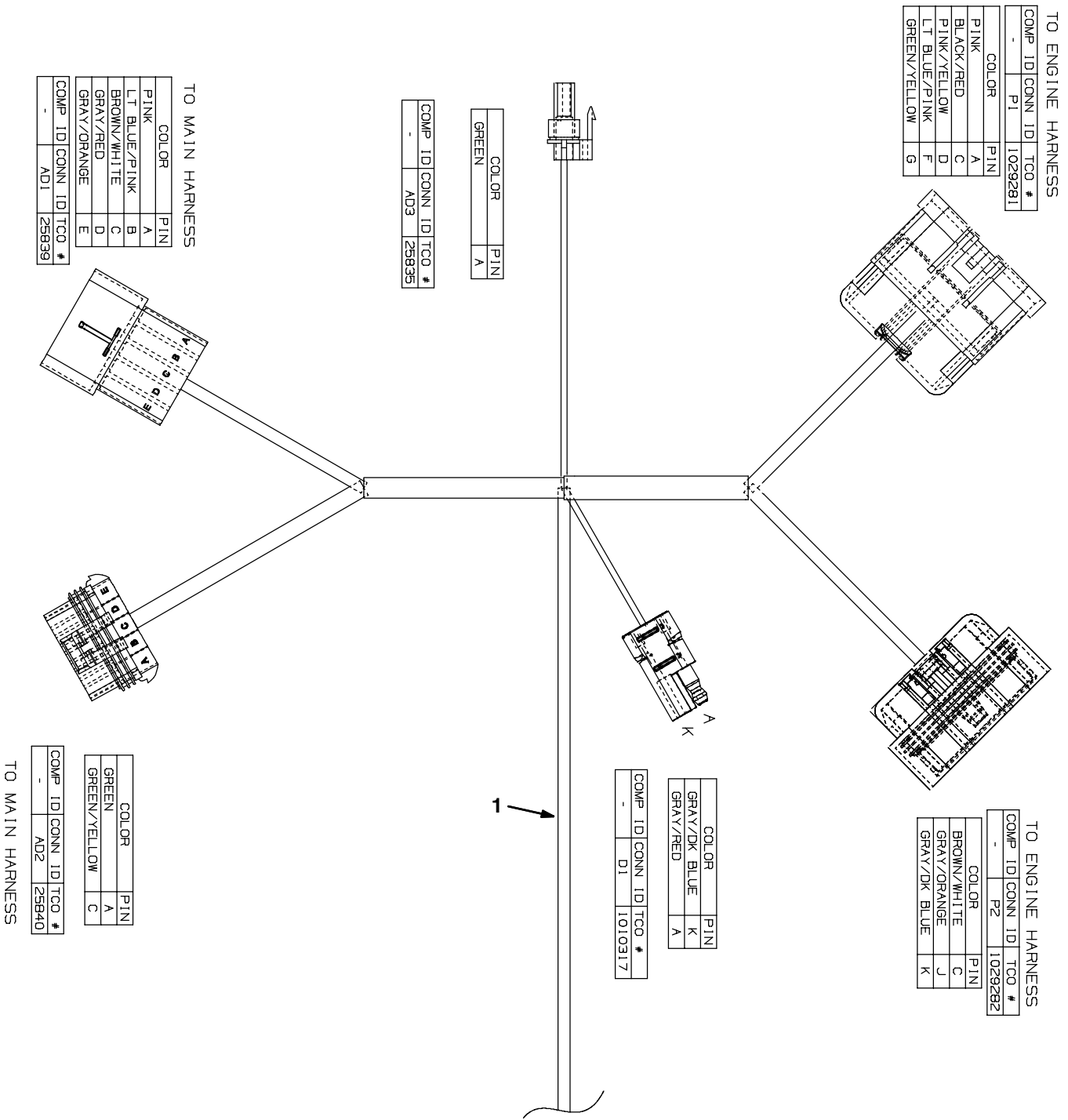
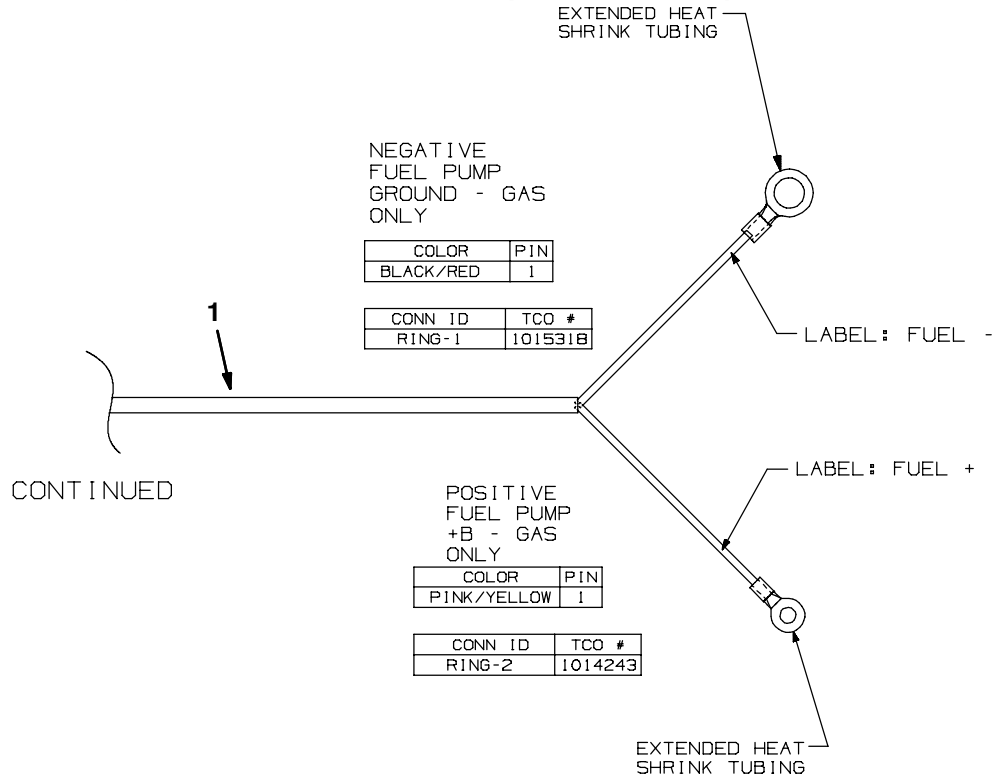


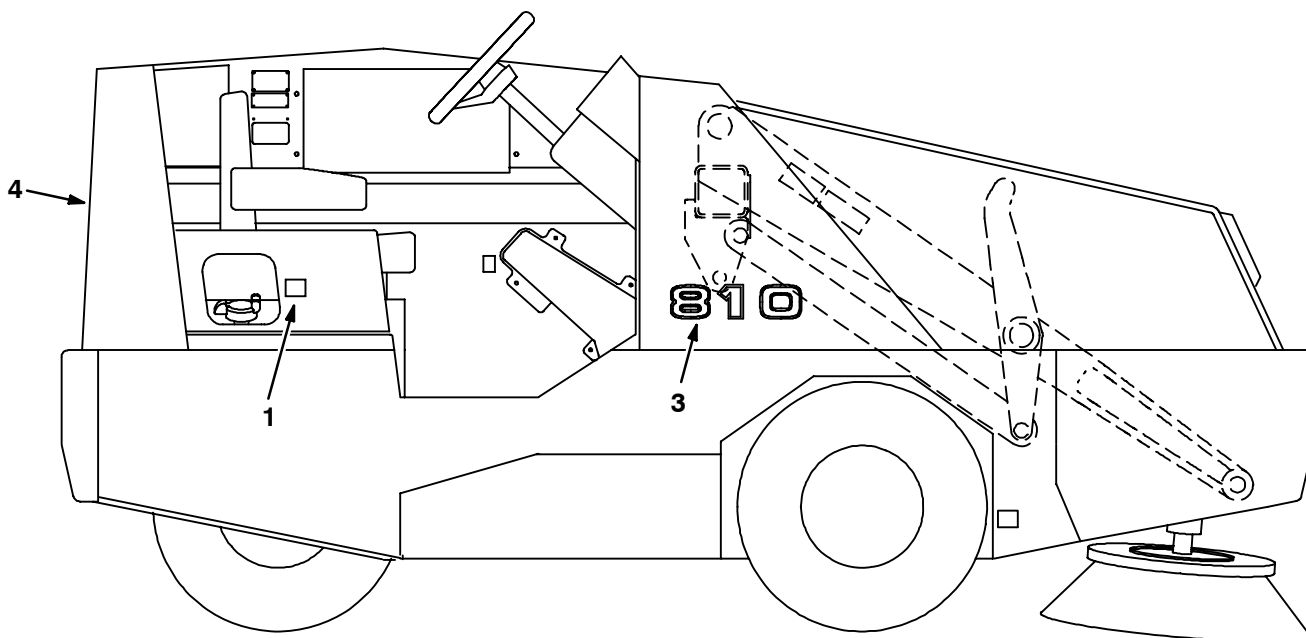
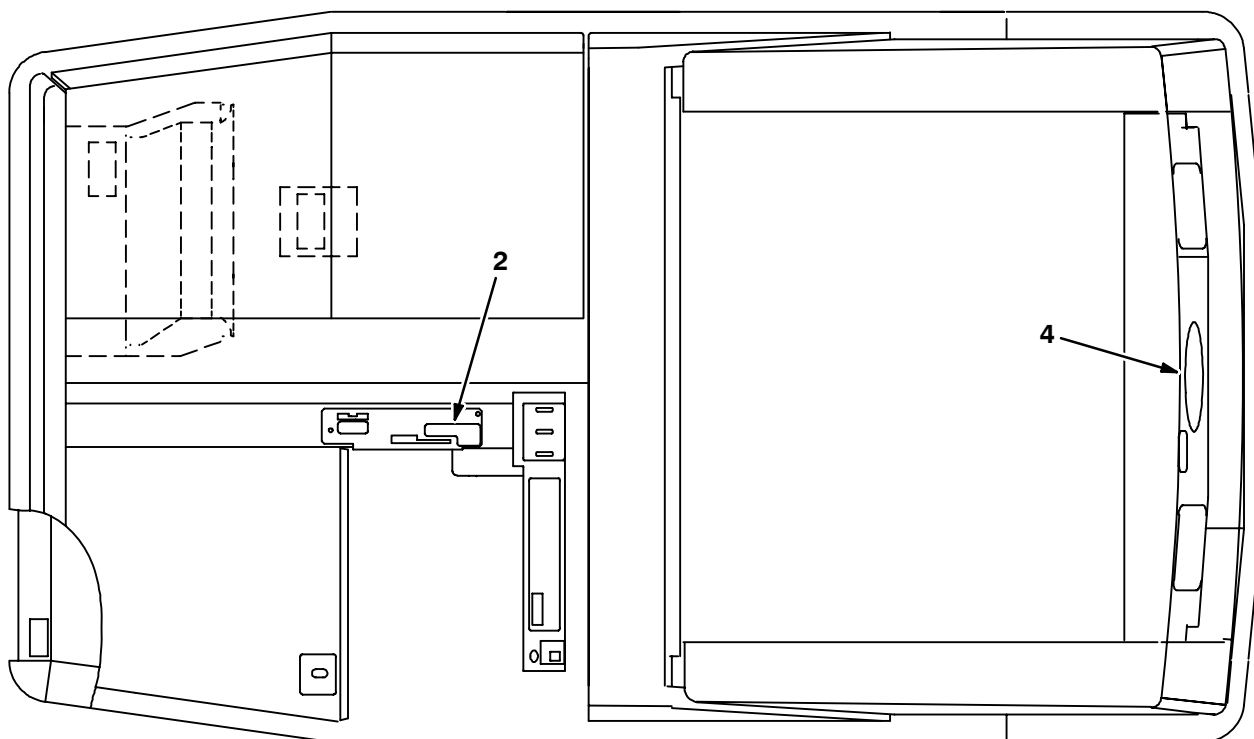
Fig. 102 - Wire Harnesses Group, Gas/LPG, Adaptor (004500- )



GM, G, LP

Ref.	Part No.	Serial Number	Description	Qty.
1	1032214	(004500- )	Harness, Adaptor, Eng, Gas/Lpg [Gm3.0]	1

**Fig. 103 - Label Group**



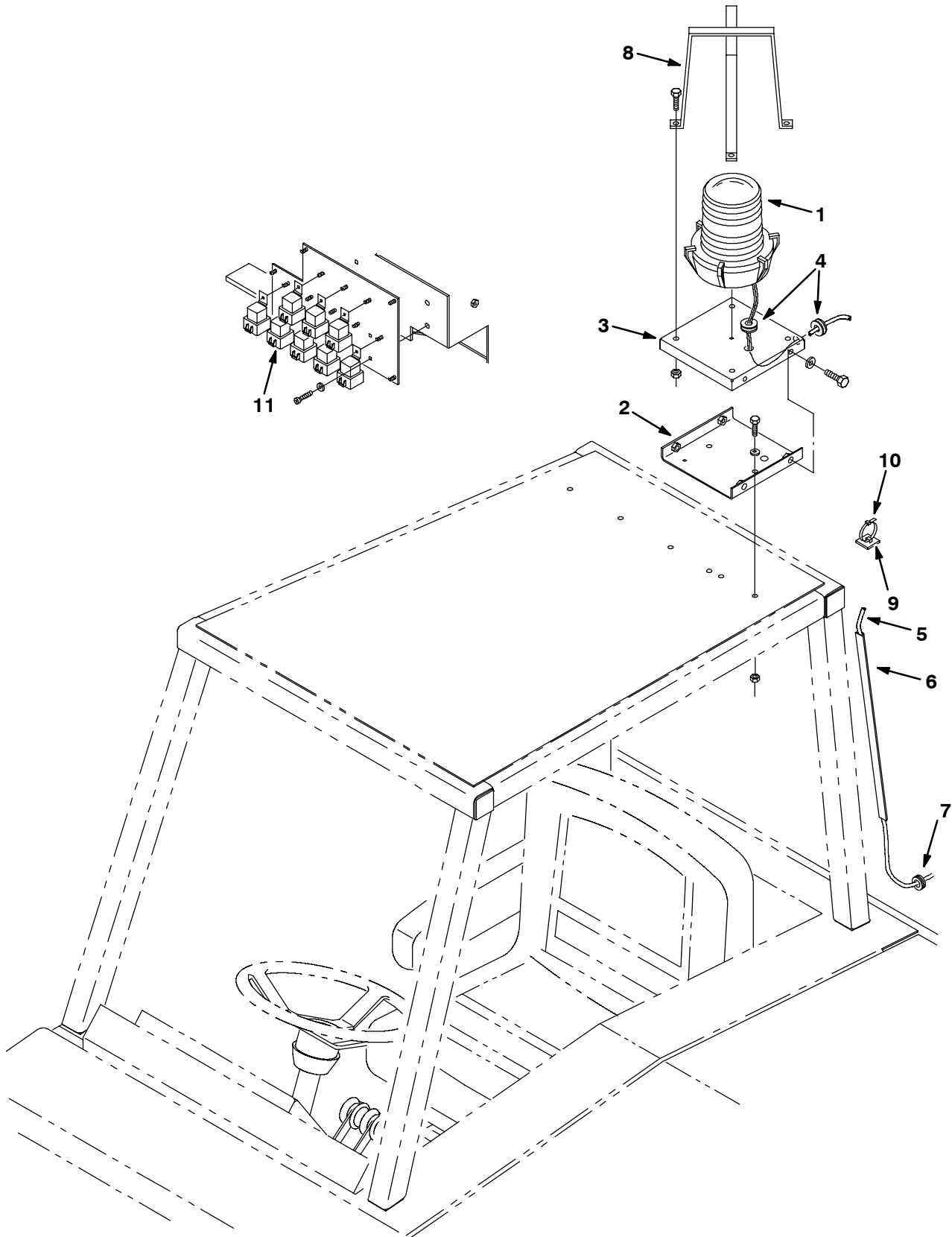
08775 - 810, NA

Ref.	Part No.	Serial Number	Description	Qty.
1	59767	(003000-	) Label Set, Info & Hazard	1
2	70705	(003000-	) Label Set, Operational 800	1
3	70537	(003000-	) Label, Numerals 810	2
4	09806	(003000-	) Label, Logo, 10.4l, Oval[Tennant,Blu/Grn]	2

# SECTION 3

Contents	Page
Fig. 1 - Light Kit, Flashing Overhead Guard . . . .	3-2
Fig. 2 - Light Kit, Flashing Cab . . . . .	3-4
Fig. 3 - Light Kit, Revolving Overhead Guard . . .	3-6
Fig. 4 - Light Kit, Revolving Cab . . . . .	3-8
Fig. 5 - Light Kit, Flashing Low . . . . .	3-10
Fig. 6 - Light Kit, Revolving Low . . . . .	3-12
Fig. 7 - Back-Up Alarm Kit . . . . .	3-14
Fig. 8 - Turn Signal Kit . . . . .	3-16
Fig. 9 - Overhead Guard Kit . . . . .	3-18
Fig. 10 - Hopper Floor Kit . . . . .	3-20
Fig. 11 - Bumper Assembly, SE . . . . .	3-21
Fig. 12 - Brush Lift Group, Side, L.H. . . . .	3-22
Fig. 13 - Brush Group, Side, L.H. . . . .	3-26
Fig. 14 - Brush Wire Harness Group, Side, L.H. . . . .	3-30
Fig. 15 - Brush Hydraulic Hose Group, Side, L.H. . . . .	3-31
Fig. 16 - Brush Light Kit, Side . . . . .	3-32
Fig. 17 - Cab Kit . . . . .	3-34
Fig. 18 - Cab Mirror Kit . . . . .	3-36
Fig. 19 - Cab Seals Group . . . . .	3-38
Fig. 20 - Cab AC and Heater Box Group, Ford .	3-40
Fig. 21 - Cab AC and Heater Hose Group, Ford	3-42
Fig. 22 - Cab AC Compressor Group, Ford . . . .	3-44
Fig. 23 - Cab AC and Heater Box Group, GM . .	3-46
Fig. 24 - Cab AC and Heater Hose Group, GM .	3-48
Fig. 25 - Cab AC Compressor Group, GM (003000-004499) . . . . .	3-50
Fig. 26 - Cab AC Compressor Group, GM (004500- ) . . . . .	3-54
Fig. 27 - Cab Heater Box Group, Ford . . . . .	3-56
Fig. 28 - Cab Heater Hose Group, Ford . . . . .	3-58
Fig. 29 - Cab Heater Box Group, GM . . . . .	3-60
Fig. 30 - Cab Heater Hose Group, GM . . . . .	3-62
Fig. 31 - Alternator Group, SE, Ford . . . . .	3-64
Fig. 32 - Heavy Duty Alternator Kit, GM (003179-004499) . . . . .	3-66
Fig. 33 - Heavy Duty Alternator Kit, GM (004500- ) . . . . .	3-68
Fig. 34 - Vacuum Wand Kit . . . . .	3-70
Fig. 35 - Side Brush Dust Control Kit . . . . .	3-72
Fig. 36 - Protectoseal Fuel Tank Cap Group . . .	3-74
Fig. 37 - Fire Extinguisher Kit . . . . .	3-75
Fig. 38 - Solid Tire and Rim Assembly . . . . .	3-76
Fig. 39 - Seat Belt Kit . . . . .	3-77
Fig. 40 - RFS Filter System Group . . . . .	3-78
Fig. 41 - Cab AC Drain Hose Kit . . . . .	3-80
Fig. 42 - Neutral Start Group . . . . .	3-82
Fig. 43 - Muffler Group, Non-Catalytic . . . . .	3-83
Fig. 44 - Documentation Group . . . . .	3-84

Fig. 1 - Light Kit, Flashing Overhead Guard

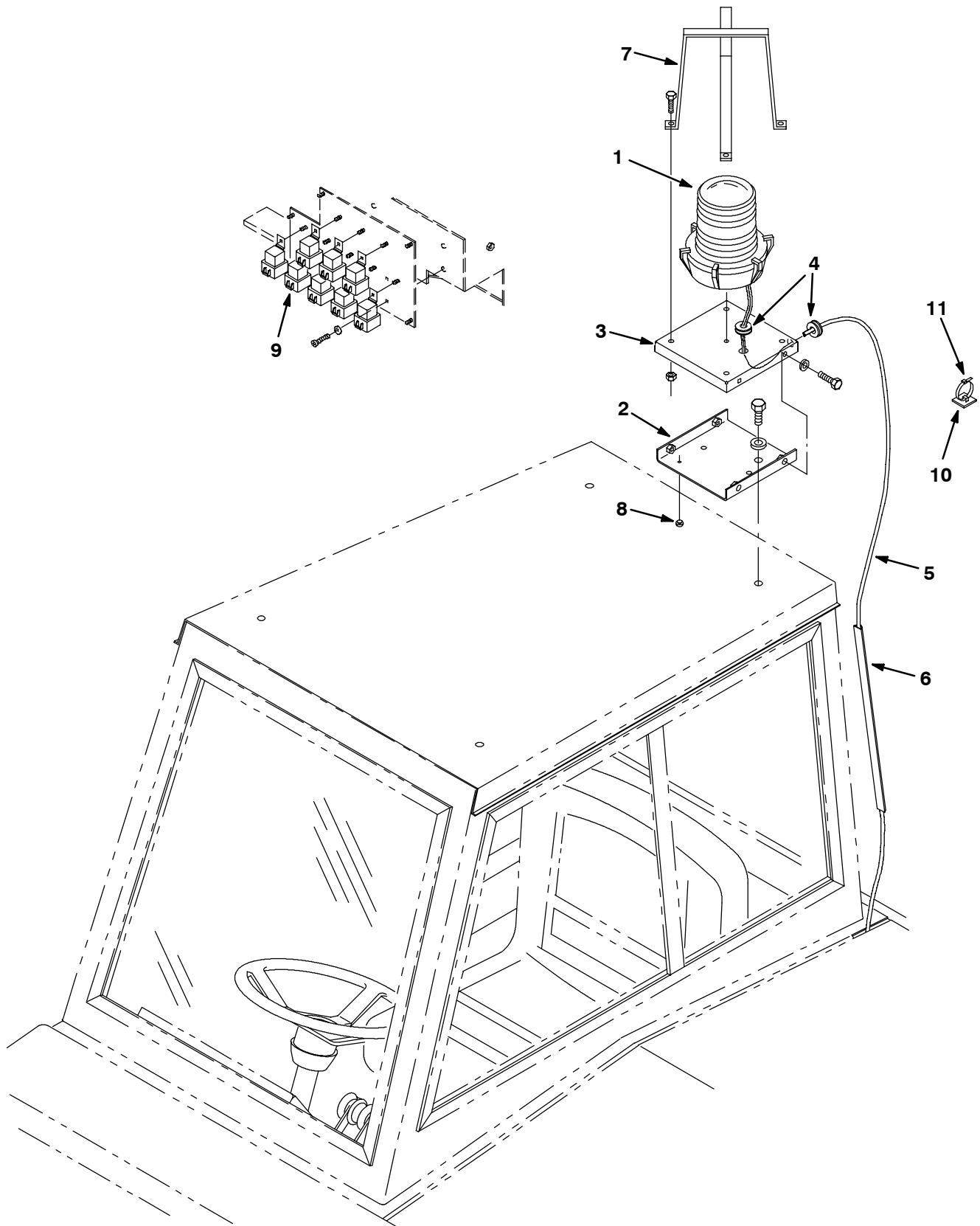




**Fig. 1 - Light Kit, Flashing Overhead Guard**

	<b>Ref.</b>	<b>Part No.</b>	<b>Serial Number</b>	<b>Description</b>	<b>Qty.</b>
▽		73755	(003000-	) Light Kit Flsh 800L Ohg	1
▲▽	1	82063	(003000-	) Light, Flashing, Amber, 12V-Re	1
▲▲		58520	(003000-	) Lens,Flashing Lite Fr207 Amber	1
▲▲		45779	(003000-	) Bulb, 12V	1
▲	2	73899	(003000-	) Bracket	1
▲	3	73898	(003000-	) Panel	1
▲	4	10632-20	(003000-	) Grommet,Rbr,0.38ld,For .06Matl	2
▲	5	74000	(003000-	) Harness,Rev/Flsh Light,Cab,Ohg	1
▲	6	1064050	(003000-	) Duct, Afmkt, Vyl, 0.40 X 0.75 .25d, 04ft	1
▲	7	10632-4	(003000-	) Grommet,Rbr,0.63ld,For .06Matl	1
▲	8	45272	(003000-	) Guard Wldt, Lights, Revl & Flsh	1
▲	9	55248	(003000-	) Cable Tie Mount	1
▲	10	49266	(003000-	) Tie, Cable	1
▲	11	56186	(003000-	) Relay, Shrouded, 12V	1
		58518	(003000-	) Lens,Flashing Lite Fr207 Red	1
		58519	(003000-	) Lens,Flashing Lite Fr207 Blue	1

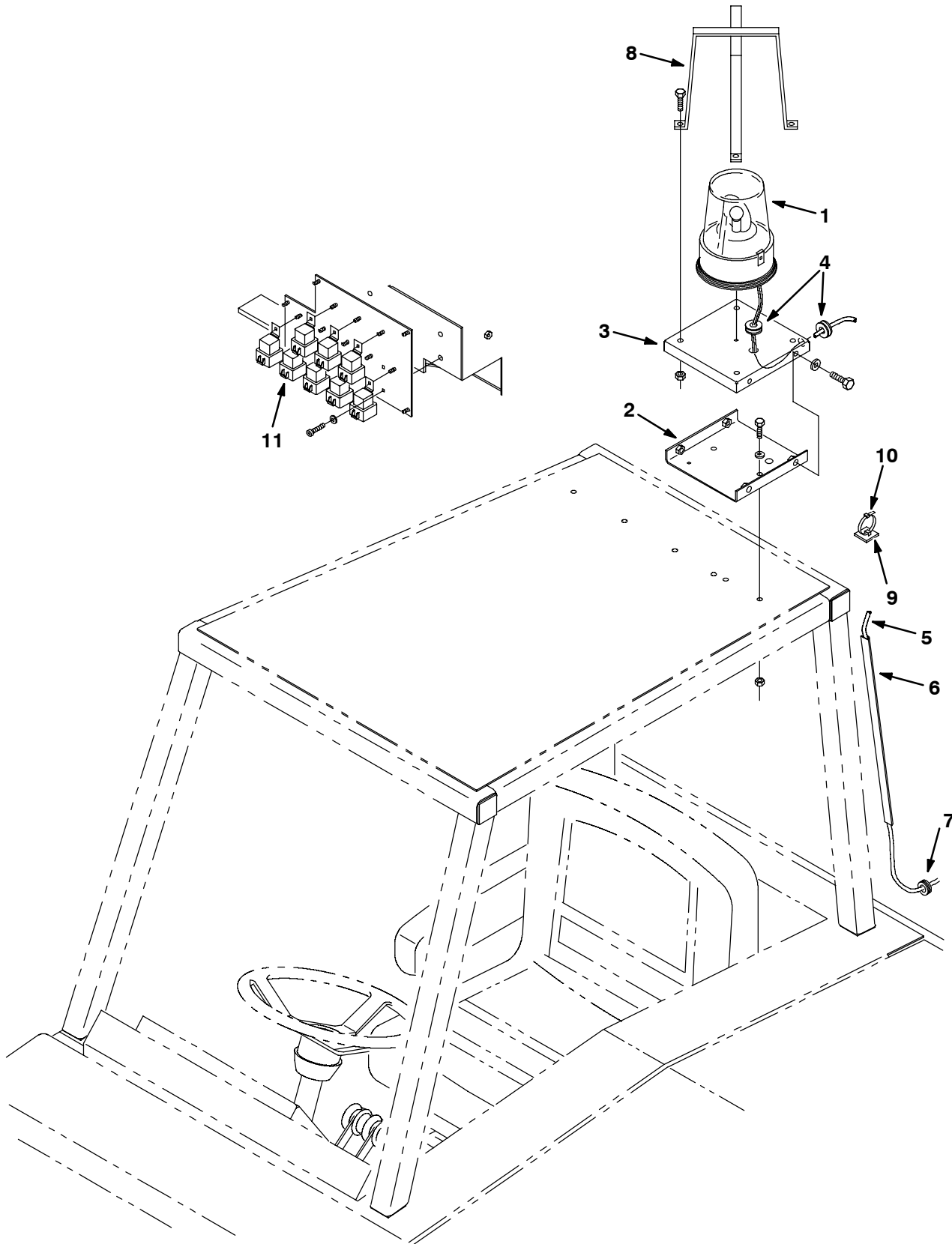
Fig. 2 - Light Kit, Flashing Cab



**Fig. 2 - Light Kit, Flashing Cab**

	<b>Ref.</b>	<b>Part No.</b>	<b>Serial Number</b>	<b>Description</b>	<b>Qty.</b>
▽		73751	(003000-	) Light Kit Flsh 800L Cab	1
▲▽	1	82063	(003000-	) Light, Flashing, Amber, 12V-Re	1
▲▲		58520	(003000-	) Lens,Flashing Lite Fr207 Amber	1
▲▲		45779	(003000-	) Bulb, 12V	1
▲	2	73899	(003000-	) Bracket	1
▲	3	73898	(003000-	) Panel	1
▲	4	10632-20	(003000-	) Grommet,Rbr,0.38ld,For .06Matl	2
▲	5	74000	(003000-	) Harness,Rev/Flsh Light,Cab,Ohg	1
▲	6	1064050	(003000-	) Duct, Afmkt, Vyl, 0.40 X 0.75 .25d, 04ft	1
▲	7	45272	(003000-	) Guard Wldt, Lights, Revl & Flsh	1
▲	8	29233	(003000-	) Bumper, Rubber	1
▲	9	56186	(003000-	) Relay, Shrouded, 12V	1
▲	10	55248	(003000-	) Cable Tie Mount	1
▲	11	49266	(003000-	) Tie, Cable	1
		58518	(003000-	) Lens,Flashing Lite Fr207 Red	1
		58519	(003000-	) Lens,Flashing Lite Fr207 Blue	1

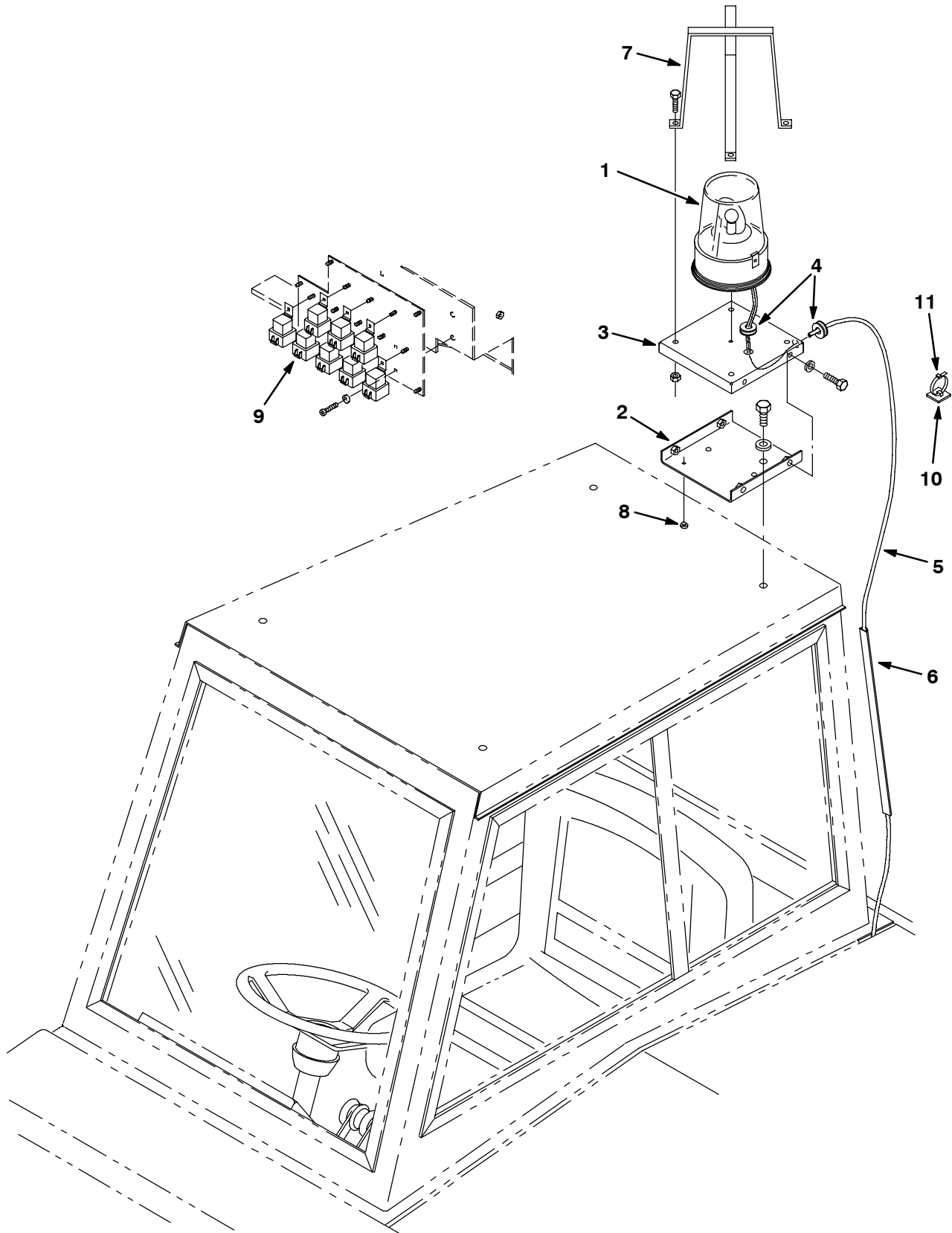
Fig. 3 - Light Kit, Revolving Overhead Guard



**Fig. 3 - Light Kit, Revolving Overhead Guard**

	<b>Ref.</b>	<b>Part No.</b>	<b>Serial Number</b>	<b>Description</b>	<b>Qty.</b>
▽		73757	(003000-	) Light Kit Revl 800L Ohg	1
▲▽	1	82200	(003000-	) Light,Rev.Amber 12V-Reworked	1
▲▲		44681-1	(003000-	) Lens,Rev.Light,Amber	1
▲▲		45779	(003000-	) Bulb, 12V	1
▲	2	73899	(003000-	) Bracket	1
▲	3	73898	(003000-	) Panel	1
▲	4	10632-20	(003000-	) Grommet,Rbr,0.38ld,For .06Matl	2
▲	5	74000	(003000-	) Harness,Rev/Flsh Light,Cab,Ohg	1
▲	6	1064050	(003000-	) Duct, Afmkt, Vyl, 0.40 X 0.75 .25d, 04ft	1
▲	7	10632-4	(003000-	) Grommet,Rbr,0.63ld,For .06Matl	1
▲	8	45272	(003000-	) Guard Wldt, Lights, Revl & Flsh	1
▲	9	55248	(003000-	) Cable Tie Mount	1
▲	10	49266	(003000-	) Tie, Cable	1
▲	11	56186	(003000-	) Relay, Shrouded, 12V	1
		44681	(003000-	) Lens,Rev.Light,Red	1
		44681-2	(003000-	) Lens,Rev.Light,Blue	1

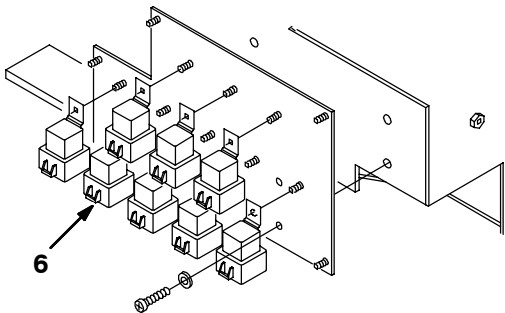
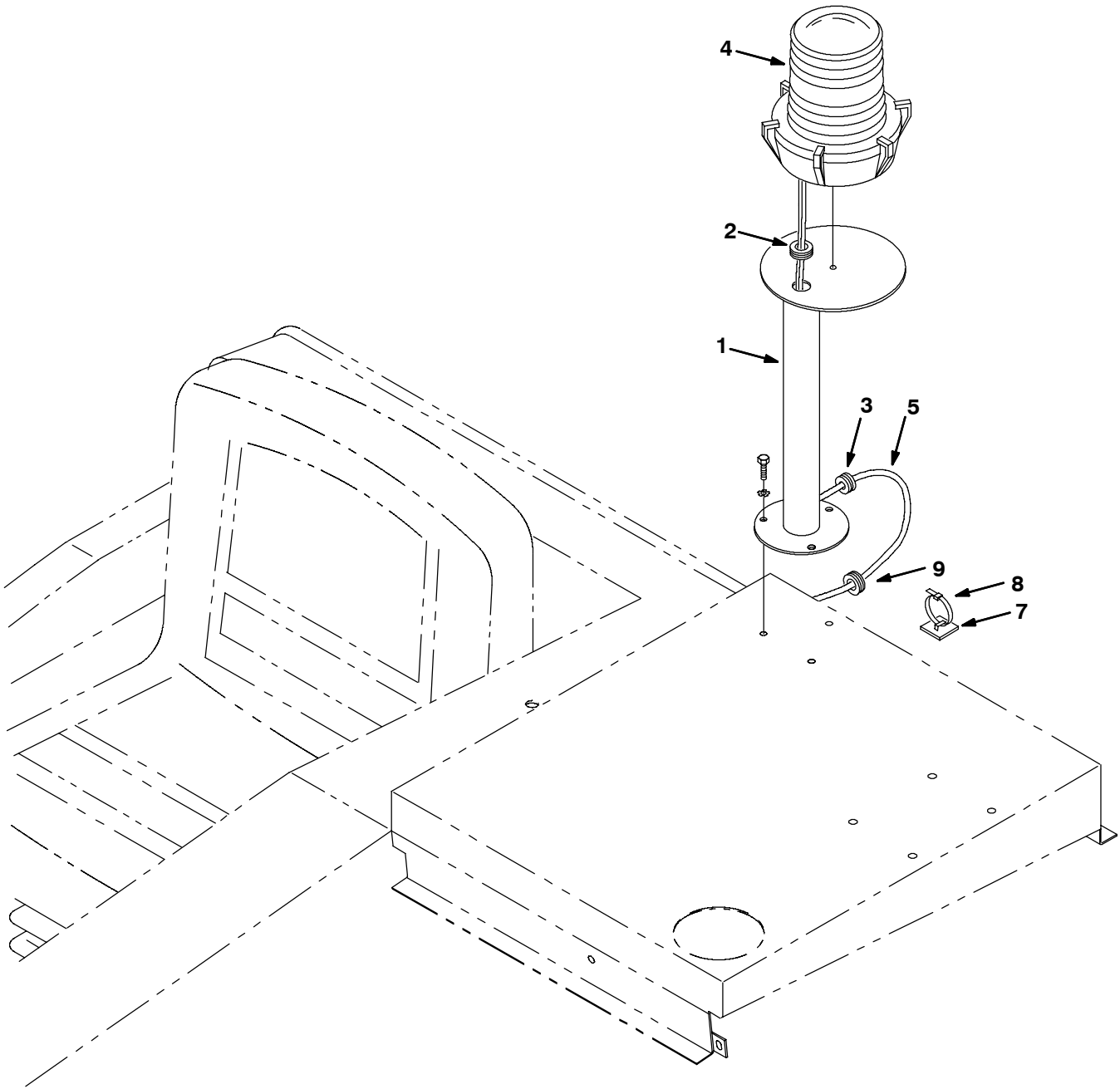
Fig. 4 - Light Kit, Revolving Cab



**Fig. 4 - Light Kit, Revolving Cab**

	<b>Ref.</b>	<b>Part No.</b>	<b>Serial Number</b>	<b>Description</b>	<b>Qty.</b>
▽		73753	(003000-	) Light Kit Revl 800L Cab	1
▲▽	1	82200	(003000-	) Light,Rev.Amber 12V-Reworked	1
▲▲		44681-1	(003000-	) Lens,Rev.Light,Amber	1
▲▲		45779	(003000-	) Bulb, 12V	1
▲	2	73899	(003000-	) Bracket	1
▲	3	73898	(003000-	) Panel	1
▲	4	10632-20	(003000-	) Grommet,Rbr,0.38ld,For .06Matl	2
▲	5	74000	(003000-	) Harness,Rev/Flsh Light,Cab,Ohg	1
▲	6	1064050	(003000-	) Duct, Afmkt, Vyl, 0.40 X 0.75 .25d, 04ft	1
▲	7	45272	(003000-	) Guard Wldt, Lights, Revl & Flsh	1
▲	8	29233	(003000-	) Bumper, Rubber	1
▲	9	56186	(003000-	) Relay, Shrouded, 12V	1
▲	10	55248	(003000-	) Cable Tie Mount	1
▲	11	49266	(003000-	) Tie, Cable	1
		44681	(003000-	) Lens,Rev.Light,Red	1
		44681-2	(003000-	) Lens,Rev.Light,Blue	1

Fig. 5 - Light Kit, Flashing Low

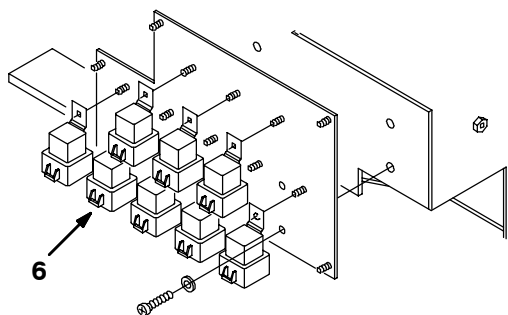
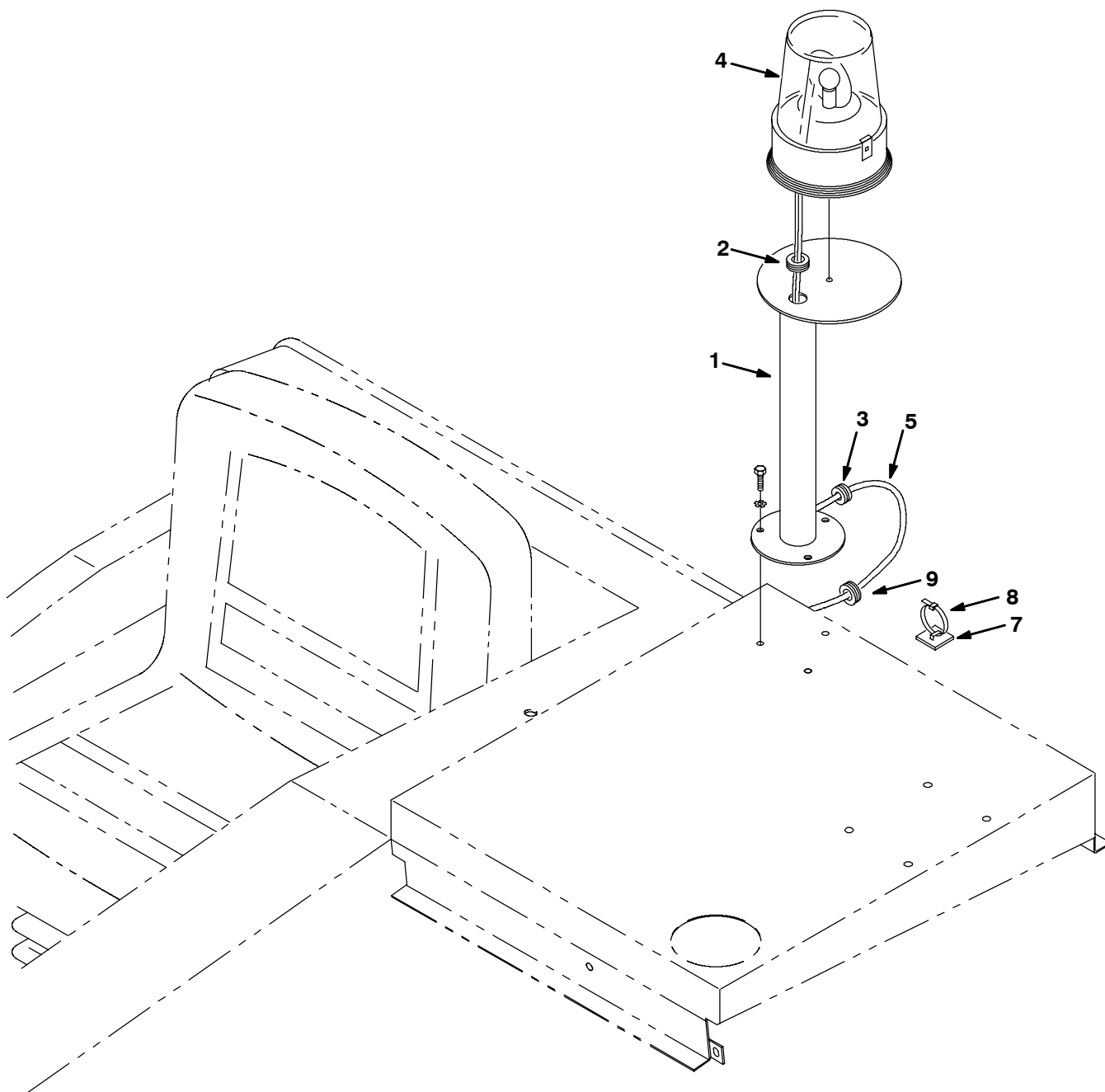




**Fig. 5 - Light Kit, Flashing Low**

	<b>Ref.</b>	<b>Part No.</b>	<b>Serial Number</b>	<b>Description</b>	<b>Qty.</b>
▽		380643	(003000-	) Kit, Light, Flsh, Low	1
▲	1	31954	(003000-	) Pedestal Wldt, Light	1
▲	2	10632-9	(003000-	) Grommet, Rbr, 0.56 Id For .13mat	1
▲	3	10632-12	(003000-	) Grommet, Rbr, 0.38 Id For .12mat	1
▲▽	4	82063	(003000-	) Light, Flashing Amb 12v-re	1
▲▲		58520	(003000-	) Lens, Flashing Amb 12V	1
▲▲		45779	(003000-	) Bulb	1
▲	5	380691	(003000-	) Harness, Alarm, Backup	1
▲	6	56186	(003000-	) Relay 12Vdc 40A Spdt	1
▲	7	55248	(003000-	) Cabletie Mount, Adhesive	2
▲	8	49266	(003000-	) Tie, Cable 1.75D Max 7.50Lg	2
▲	9	10632-4	(003000-	) Grommet	1
		58518	(003000-	) Lens, Flashing Red	1
		58519	(003000-	) Lens, Flashing Blue	1

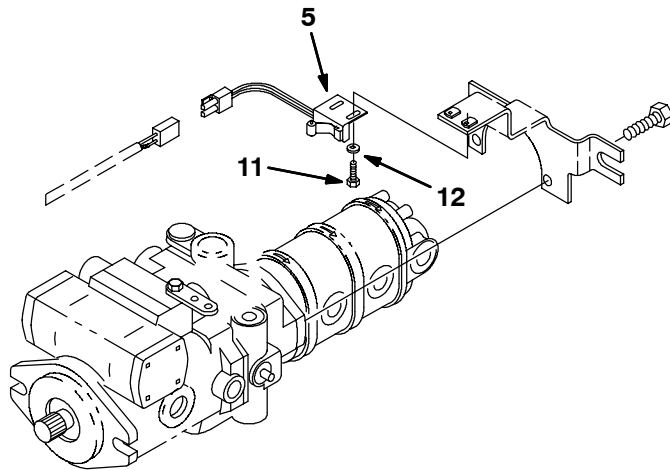
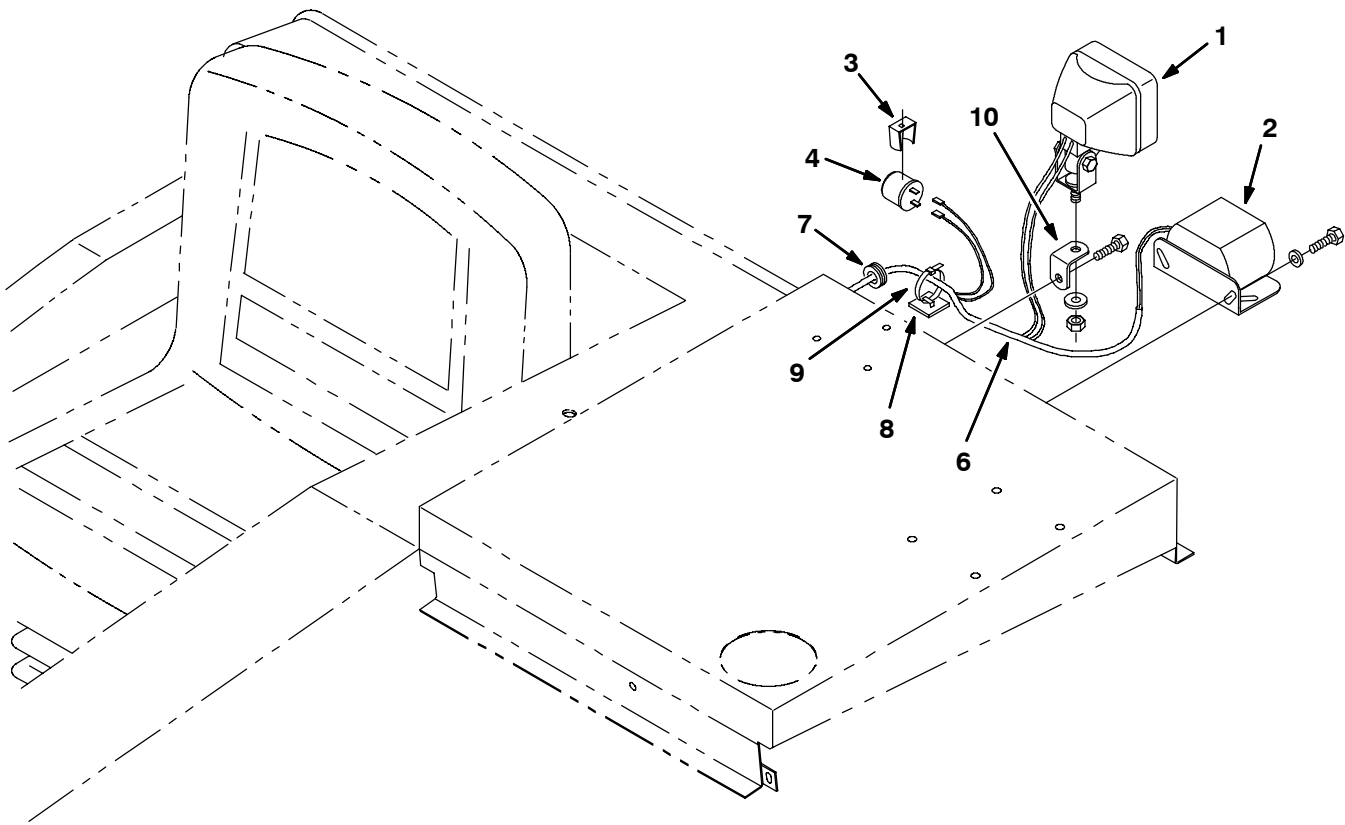
Fig. 6 - Light Kit, Revolving Low



**Fig. 6 - Light Kit, Revolving Low**

	<b>Ref.</b>	<b>Part No.</b>	<b>Serial Number</b>	<b>Description</b>	<b>Qty.</b>
▽		380644	(003000-	) Kit, Light, Revl, Low	1
▲	1	31954	(003000-	) Pedestal Wldt, Light	1
▲	2	10632-9	(003000-	) Grommet, Rbr, 0.56 Id For .13mat	1
▲	3	10632-12	(003000-	) Grommet, Rbr, 0.38 Id For .12mat	1
▲▽	4	82200	(003000-	) Light, Rev. Amber 12v-re	1
▲▲		44681-1	(003000-	) Lens, Rev. Light, Amber	1
▲▲		45779	(003000-	) Bulb	1
▲	5	380691	(003000-	) Harness, Alarm, Backup	1
▲	6	56186	(003000-	) Relay 12Vdc 40A Spdt	1
▲	7	55248	(003000-	) Cabletie Mount, Adhesive	2
▲	8	49266	(003000-	) Tie, Cable 1.75D Max 7.50Lg	2
▲	9	10632-4	(003000-	) Grommet	1
		44681	(003000-	) Lens, Rev. Light, Red	1
		44681-2	(003000-	) Lens, Rev. Light, Blue	1

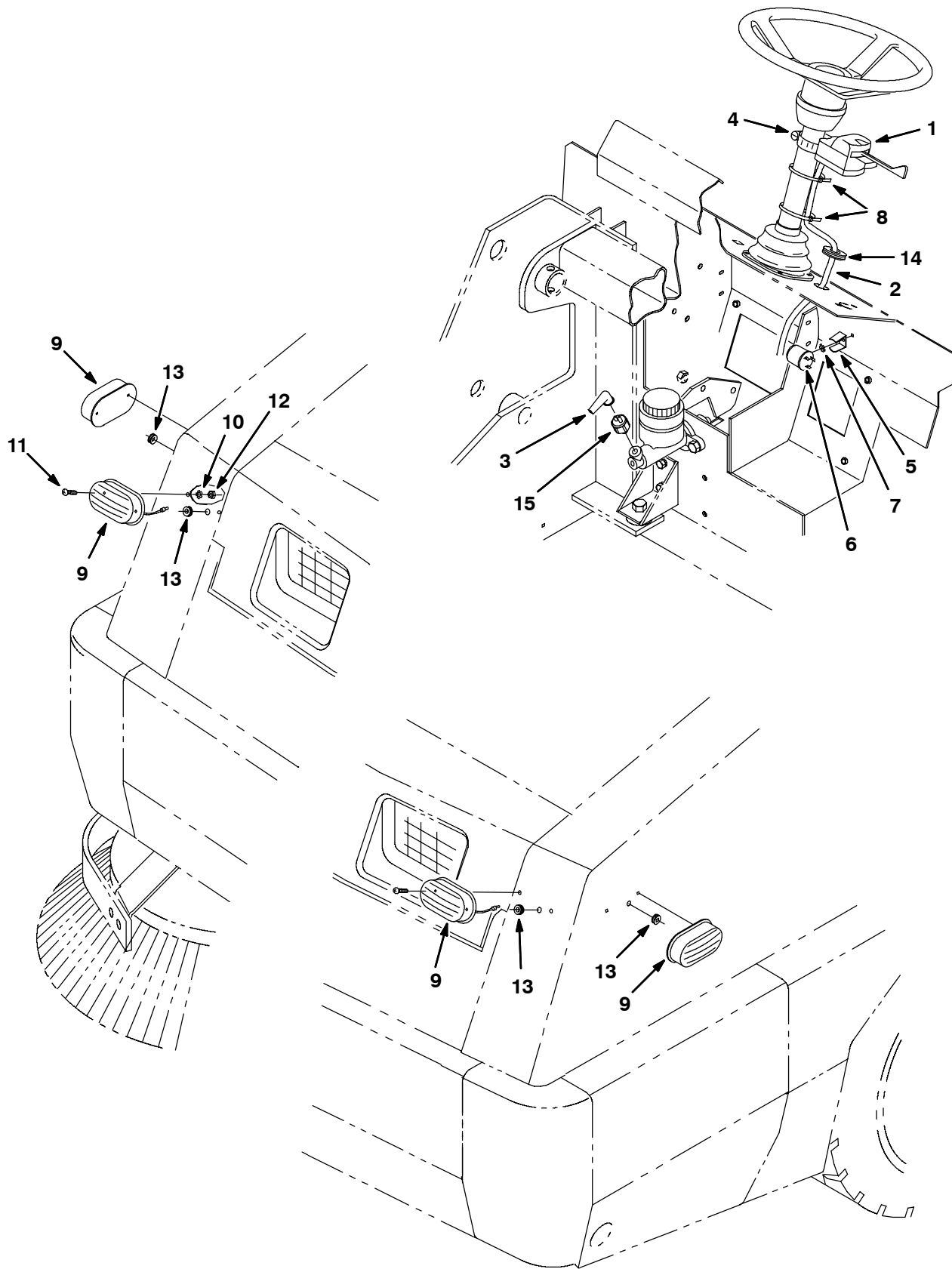
Fig. 7 - Back-Up Alarm Kit



**Fig. 7 - Back-Up Alarm Kit**

	<b>Ref.</b>	<b>Part No.</b>	<b>Serial Number</b>	<b>Description</b>	<b>Qty.</b>
▽		380640	(003000-	) Kit, Alarm, Backup	1
▲▽	1	382978	(003000-	) Light, Spot 12V, 32cp	1
▲▲		393770	(003000-	) Lamp, 12VDC 55w	1
▲	2	61923	(003000-	) Horn, Back-up Alarm	1
▲	3	24576-1	(003000-	) Bracket, Flasher	1
▲	4	24576	(003000-	) Flasher, 12v	1
▲	5	59965	(003000-	) Switch Assy, Roller-no	1
▲	6	380691	(003000-	) Harness, Alarm, Back-up	1
▲	7	10632-4	(003000-	) Grommet	1
▲	8	55248	(003000-	) Mount, Tie	2
▲	9	49266	(003000-	) Tie, Cable	2
▲	10	76385	(003000-	) Bracket	1
▲	11	09206	(003000-	) Screw, Hex, M4 X 0.70 X 12, 8.8	2
▲	12	19065	(003000-	) Washer, Flat, 08	2

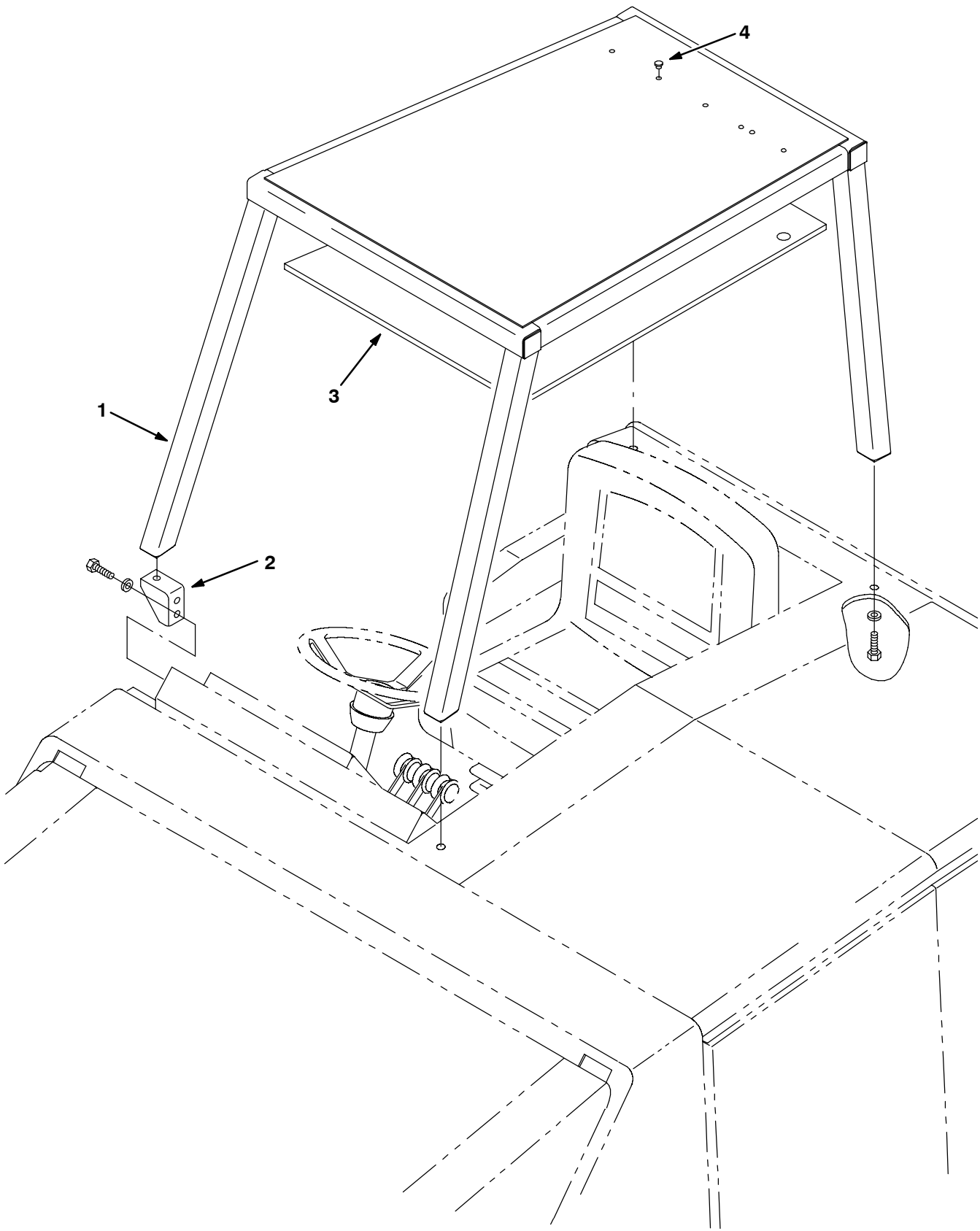
Fig. 8 - Turn Signal Kit



**Fig. 8 - Turn Signal Kit**

	<b>Ref.</b>	<b>Part No.</b>	<b>Serial Number</b>	<b>Description</b>	<b>Qty.</b>
▽		380712	(003000-	) Kit, Signal, Turn	1
▲	1	60751	(003000-	) Signal Turn	1
▲	2	76423	(003000-	) Harness, Directional	1
▲	3	61365	(003000-	) Boot, 90deg .44id 0.62id 1.69l, Blk	1
▲	4	11531	(003000-	) Clamp-Wormdrive, 0.81 - 1.50D	1
▲	5	24576-1	(003000-	) Bracket, Flasher	1
▲	6	31922	(003000-	) Flasher Heavy Duty	1
▲	7	41139	(003000-	) Washer-Loc Int-Ext 10 Pltd	1
▲	8	49266	(003000-	) Tie, Cable	4
▲▽	9	34848	(003000-	) Light Assy Mark/Yel 12V- . A	4
▲▲		87948	(003000-	) Bulb, #194	1
▲	10	41140	(003000-	) Washer-Loc Int-Ext .25 Pltd	8
▲	11	06927	(003000-	) Screw, Pan, M04	8
▲	12	02850	(003000-	) Nut, Hex, Lock	8
▲	13	10632-5	(003000-	) Grommet Rbr 0.25ld For .09Matl	5
▲	14	10632-8	(003000-	) Grommet,Rbr,0.75ld,For .13Matl	1
▲	15	13959	(003000-	) Switch	1

Fig. 9 - Overhead Guard Kit

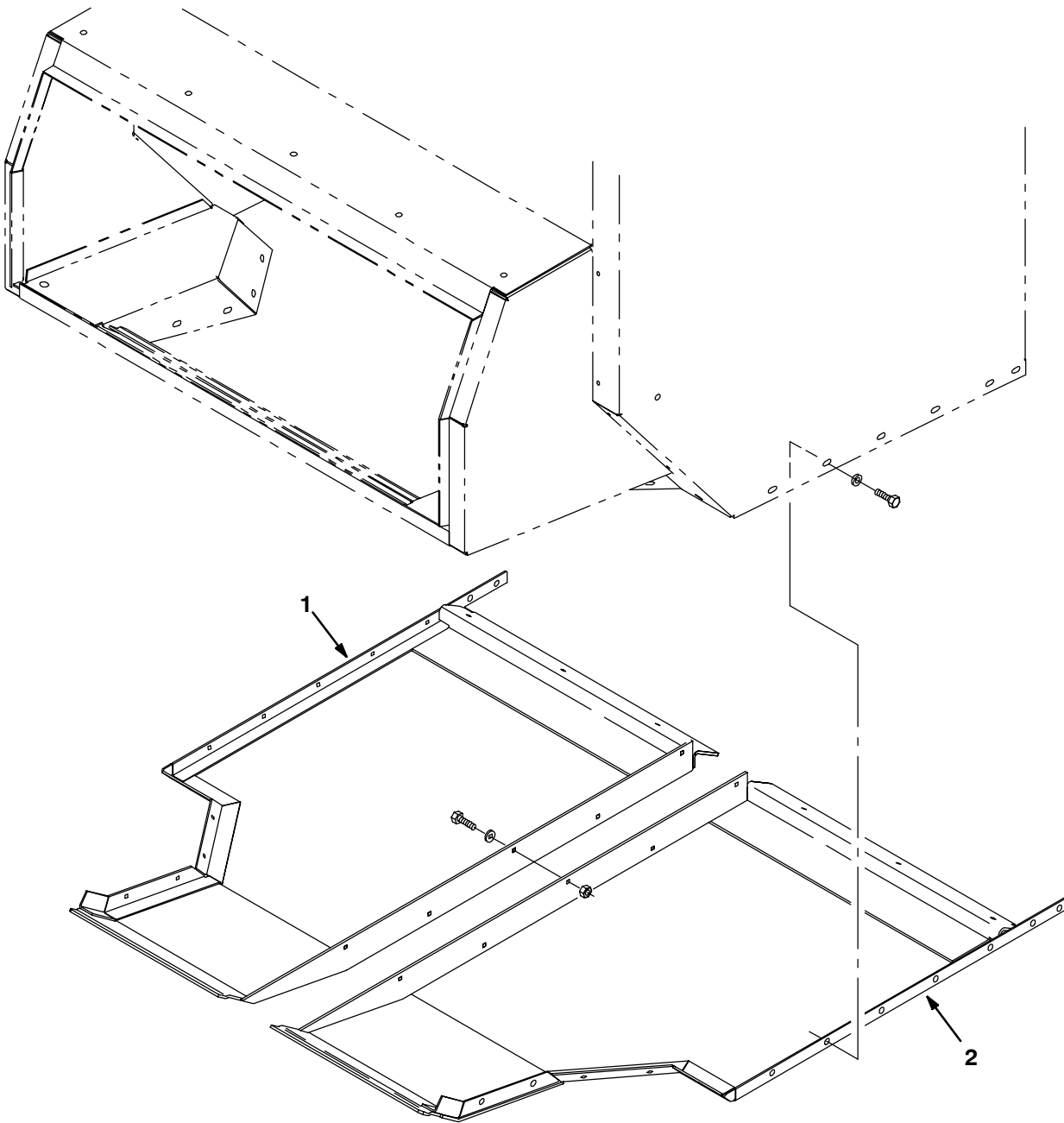




**Fig. 9 - Overhead Guard Kit**

	<b>Ref.</b>	<b>Part No.</b>	<b>Serial Number</b>	<b>Description</b>	<b>Qty.</b>
▽		70669	(003000-	) Guard Kit, Overhead	1
▲	1	65258	(003000-	) Guard Wldt, Overhead	1
▲	2	70454	(003000-	) Bracket, Mtg, Ohg	1
▲	3	74007	(003000-	) Foam, Insulation	1
▲	4	33806	(003000-	) Plugbutton	6

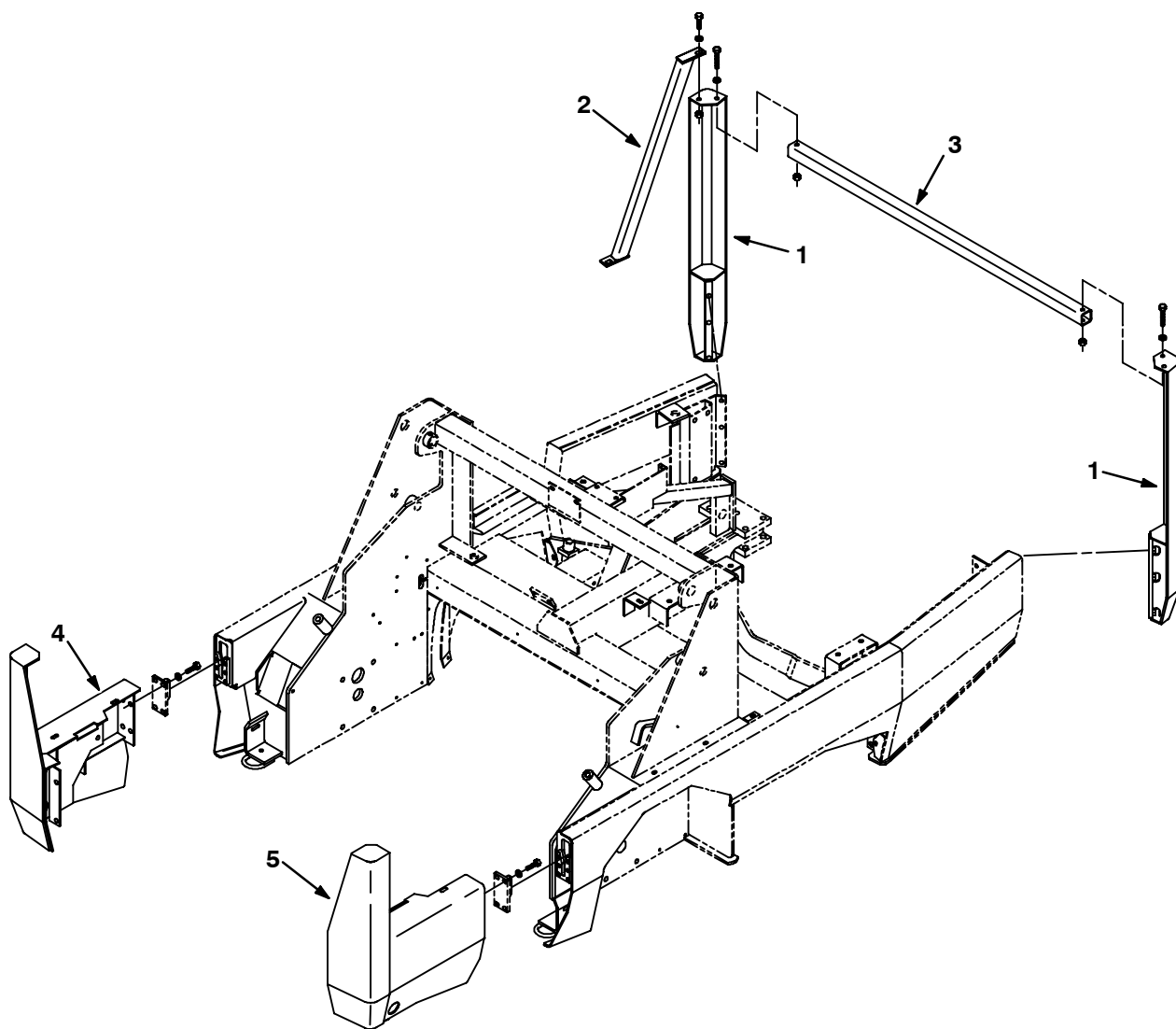
**Fig. 10 - Hopper Floor Kit**



07670 - 810

Ref.	Part No.	Serial Number	Description	Qty.
▽	73800	(003000-	) Hopper Floor Kit, St Stl 810	1
▲	1 77612	(003000-	) Panel Wldt, Hopper, Floor, RH	1
▲	2 77614	(003000-	) Panel Wldt, Hopper, Floor, LH	1

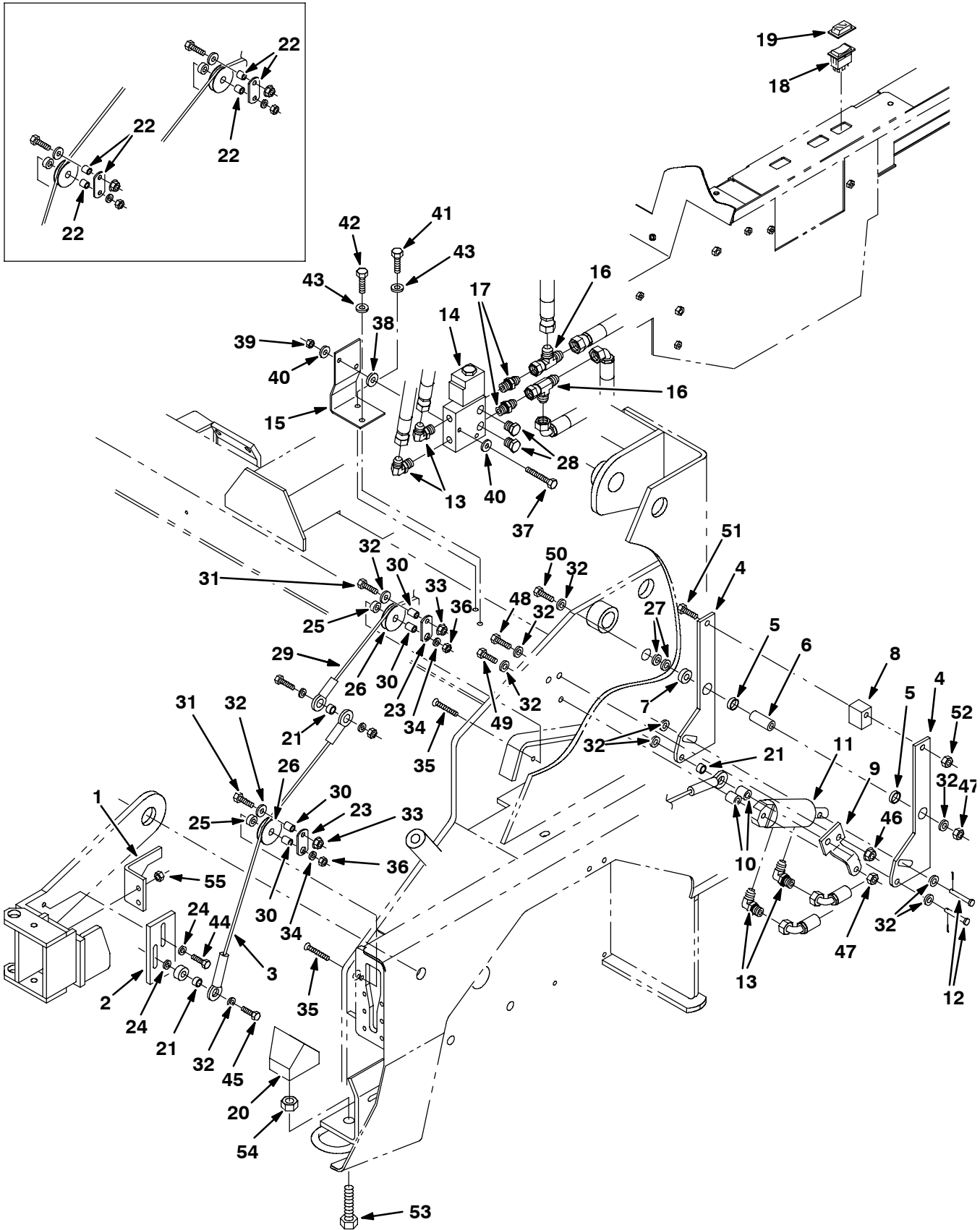
Fig. 11 - Bumper Assembly, SE



09909 - ALL

Ref.	Part No.	Serial Number	Description	Qty.
▽	83557	(003000-	) Bumper Assy, Se	1
▲	1 70802	(003000-	) Leg Wldt, Bumper, Se	2
▲	2 70793	(003000-	) Brace Wldt, Bumper, Se	1
▲	3 70815	(003000-	) Tube, Cross, Bumper, Se	1
▲	4 83626	(003000-	) Bumper Wldt, Se, Rh, Front	1
▲	5 83627	(003000-	) Bumper Wldt, Se, Lh, Front	1

Fig. 12 - Brush Lift Group, Side, L.H.



**Fig. 12 - Brush Lift Group, Side, L.H.**

Ref.	Part No.	Serial Number	Description	Qty.
1	77458	(003000-	) Bracket, Angle	1
2	77569	(003000-	) Plate Wldt	1
3	23936	(003000-	) Cable, Retaining, S Br	1
4	77584	(003000-	) Plate	2
5	74090	(003000-	) Bearing	2
6	77597	(003000-	) Sleeve, 0.406B 0.75D1.80 Stl	1
7	77727	(003000-	) Sleeve .438B 1.00D .35Stl	1
8	77459	(003000-	) Spacer	1
9	77783	(003000-	) Plate, Angle	1
10	77600	(003000-	) Sleeve, 0.406B .750D .800Stl	2
11	1041034	(003000-	) Cylinder, Hyd, 1.5b 06.3l 01.50strk 2500	1
12	51813	(003000-	) Pin,Clevis,0.37 Dia.X 2.12 Lg	2
13	77097	(003000-	) Ftg-Hyd E90 Jm04/Om04	4
14	84016	(003000-005041	) Valve, Hyd, Solenoid (See Breakdowns)	1
14	1049211	(005042-	) Valve, Cntrl, Hyd, Solenoid, 12vdc 06gpm (See Break-downs)	1
15	21231	(003000-	) Bracket, Side Brush, Valve	1
16	42215	(003000-	) Fitting, Hyd, Tee, Jf06/Jm06/Jm06, Run	2
17	56690	(003000-	) Ftg-Hyd Str Jm06/Om06	2
18	65561	(003000-	) Switch Rocker Spst	1
19	57807	(003000-	) Cover, Rocker Switch Seal	1
20	77738	(003000-	) Block	1
21	65174	(003000-	) Spacer	3
22	375416	(003000- xxxxxx	) Replacement Kit, Roller, Side Brush Lift	1
23	375415	( xxxxxx-	) Plate, Side Brush, Roller	2
24	41186	(003000-	) Washer-Belleville .31 Pltd	2
25	73737	(003000-	) Sleeve, .375B .75D .32 Stl	2
26	74391	(003000-	) Pulley - Cable, 1.5 Dia	2
27	32492	(003000-	) Flat Washer, 3/8" Hard	2
28	46482	(003000-	) Ftg-Hyd Plg Om06	2
29	70532	(003000-	) Cable, Side Brush, Lift	1
30	80395	( xxxxxx-	) Sleeve	4
31	76570	( xxxxxx-	) Screw, Hex m08	2
32	32492	( xxxxxx-	) Washer, Flat	12
33	07791	( xxxxxx-	) Nut, Hex, Flange	2
34	33924	( xxxxxx-	) Washer, Flat m10	2
35	09028	( xxxxxx-	) Screw, Hex m10	2
36	32715	( xxxxxx-	) Nut, Hex Lock m10	2
37	06548	(003000-	) Screw, Hex, M6 X 1.0 X 60, 8.8	2
38	63416	(003000-	) Washer, Rbr, .12 0.31b 0.88d	2
39	08708	(003000-	) Nut, Hex, Lock, M6 X 1.0, NI	2
40	19066	(003000-	) Washer, Flat, #10	4
41	16931	(003000-	) Screw, Hex, M8 X 1.25 X 20, 8.8	1
42	76570	(003000-	) Screw, Hex, M8 X 1.25 X 30, 8.8	1
43	32491	(003000-	) Washer, Flat, 0.31 Std	2
44	09010	(003000-	) Screw, Hex, M8 X 1.25 X 25, Ss	2
45	39283	(003000-	) Screw, Hex, M10 X 1.5 X 25, 8.8	2
46	07792	(003000-	) Nut, Hex, Flng, M10 X 1.5	2
47	41430	(003000-	) Nut, Hex, Lock, M10 X 1.5, NI	2
48	39284	(003000-	) Screw, Hex, M10 X 1.5 X 35, 8.8	2

**Fig. 12 - Brush Lift Group, Side, L.H.**

<b>Ref.</b>	<b>Part No.</b>	<b>Serial Number</b>	<b>Description</b>	<b>Qty.</b>
49	06965	(003000-	) Screw, Hex, M10 X 1.5 X 80, 8.8	1
50	03193	(003000-	) Screw, Hex, M10 X 1.5 X 90, 8.8	1
51	06957	(003000-	) Screw, Hex, M8 X 1.25 X 60, 8.8	1
52	08709	(003000-	) Nut, Hex, Lock, M8 X 1.25, NI	1
53	77752	(003000-	) Screw, Hex, M16 X 2.0 X 70, 8.8, FI	1
54	33342	(003000-	) Nut, Hex, Lock, M16 X 2.0, NI	1
55	39311	(003000-	) Nut, Hex, Std, M8 X 1.25	1



**Fig. 13 - Brush Group, Side, L.H.**

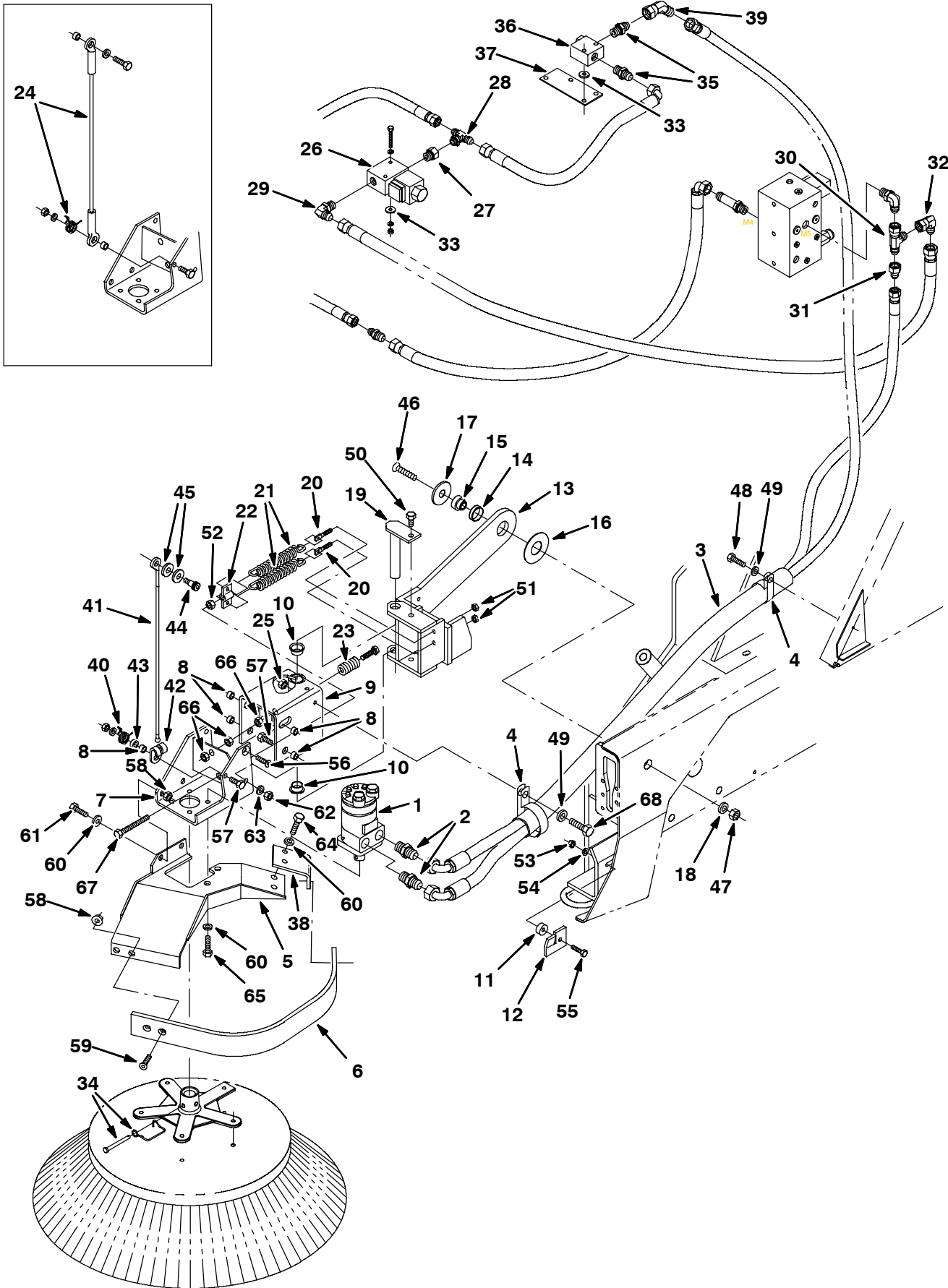




Fig. 13 - Brush Group, Side, L.H.

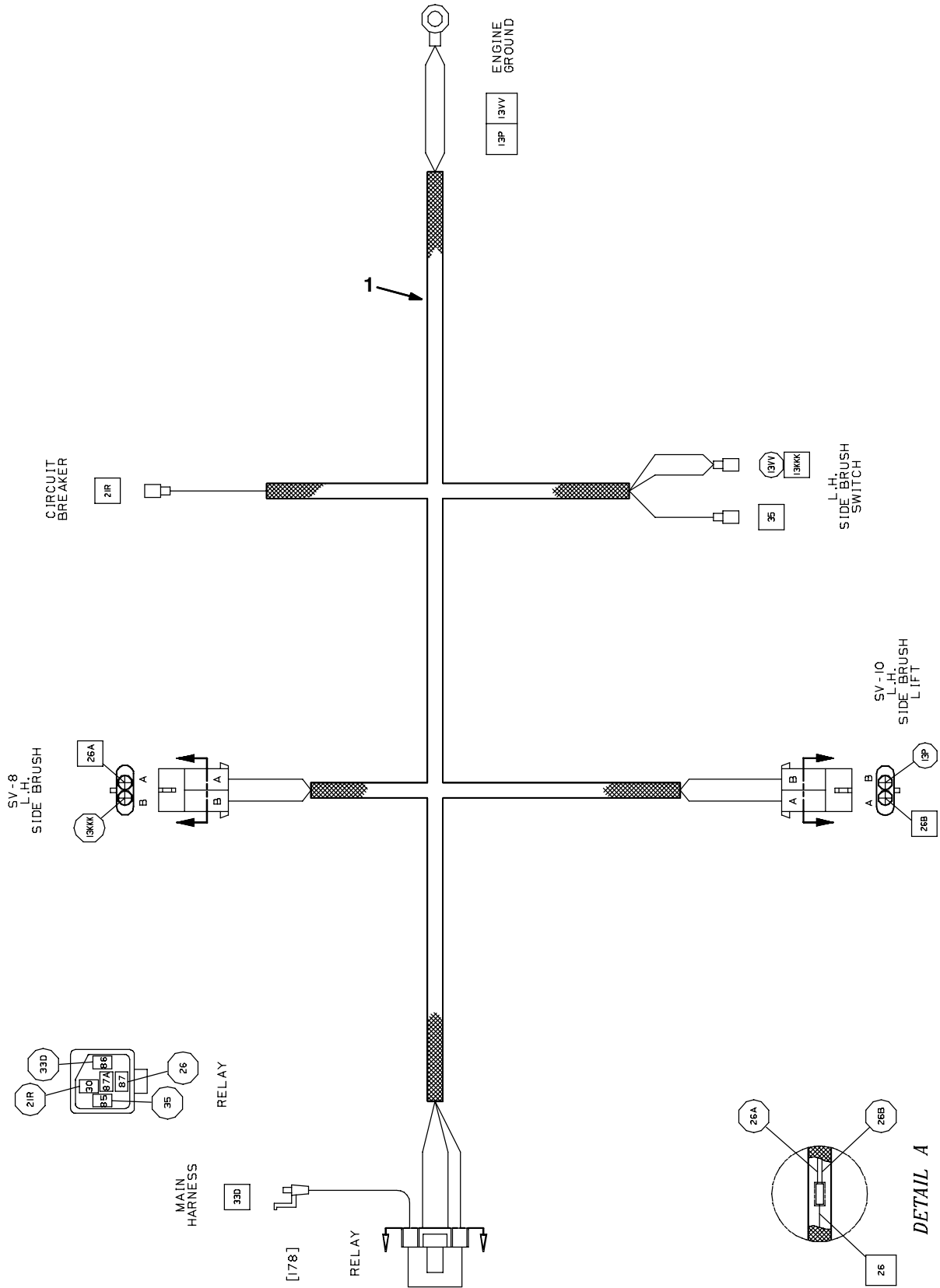
Ref.	Part No.	Serial Number	Description	Qty.
1	79781	(003000-	) Motor, Hyd Gear In 17.9 B 1500 (See Breakdowns)	1
2	47508	(003000-	) Ftg-Hyd StrJm06/Om10	2
3	76461	(003000-	) Sleeve, Nylon #27 55.OI	1
4	67366	(003000-	) Clamp, Cable, Stl, 1.0x2.0x0.62w, 1hole	2
5	21250	(003000-	) Guard Wldt, Sidebrush	1
6	21252	(003000-	) Guard, Side Brush	1
7	75142	(003000-	) Bracket, Mounting, Motor	1
8	65174	(003000-	) Spacer	5
9	75099	(003000-	) Bracket Wldt, Pivot	1
10	04761	(003000-	) Bearing, Flange .875 Bore	2
11	74059	(003000-	) Spacer	1
12	75899	(003000-	) Bracket, Angle	1
13	75117	(003000-	) Bracket Wldt, Lift	1
14	70627	(003000-	) Bearing	1
15	70526	(003000-	) Shaft, Pivot	1
16	70524	(003000-	) Washer, 1.300B 3.000	1
17	70525	(003000-	) Spacer	1
18	36328	(003000-	) Washer-Belleville .50 Pltd	1
19	70431	(003000-	) Pin	1
20	70626	(003000-	) Bolt-Eye M8-1.25	2
21	65160	(003000-	) Spring, Extension	2
22	65173	(003000-	) Bracket, Spring	1
23	65180	(003000-	) Spring, Comp	1
24	375417	(003000- xxxxxx	) Replacement Kit, Side Brush Cable, Lh	1
25	07790	(003000-	) Nut, Hex, Flng, M6 X 1.00	1
26	84015	(003000-005041	) Valve-Hyd, Solenoid (See Breakdowns)	1
26	1049210	(005042-	) Valve, Cntrl, Hyd, Solenoid, 12vdc 12gpm (See Break-downs)	1
27	47637	(003000-	) Ftg-Hyd Str Om08/Of06	1
28	67683	(003000-	) Ftg-Hyd Tee Jm06Omjm	1
29	44868	(003000-	) Ftg-Hyd E90 Jm08/Om08	1
30	45482	(003000-	) Ftg-Hyd Tee Jm08Jmjf	1
31	47753	(003000-	) Ftg-Hyd Str Jm06/Jf08	1
32	17980	(003000-	) Ftg-Hyd E90 Jm08/Jf08	1
33	63416	(003000-	) Washer, .310B .88D .12Rbr	4
34	84581	(003000-	) Pin Assy, .312X3.0 W/Lanyard	1
35	56690	(003000-	) Ftg-Hyd Str Jm06/Om06	2
36	79621	(003000-	) Check Valve, 100 Psi	1
37	79622	(003000-	) Plate, Mtg, Check Valve	1
38	21251	(003000-	) Plate, Angle	1
39	16472	(003000-	) Fitting - 45	1
40	375403	(003000-	) Spring, Torsion	1
41	375401	( xxxxxx-	) Cable	1
42	1017898	( xxxxxx-	) Hook, Cable, .44d Ball	1
43	375404	( xxxxxx-	) Spacer	1
44	36758	( xxxxxx-	) Bolt, Shld, .50d X 0.50, .38-16	1
45	32486	( xxxxxx-	) Washer, Flat	2
46	20192	(003000-	) Screw, Flt, .50-13 X 2.00, Al	1
47	32985	(003000-	) Nut, Hex, Lock, .50-13, NI	1
48	12459	(003000-	) Screw, Hex, M6 X 1.0 X 20, Fmg	1
49	41185	(003000-	) Washer, Belleville, .25	2
50	09291	(003000-	) Screw, Hex, M10 X 1.5 X 20, Ss	1

**Fig. 13 - Brush Group, Side, L.H.**

<b>Ref.</b>	<b>Part No.</b>	<b>Serial Number</b>	<b>Description</b>	<b>Qty.</b>
51	39311	(003000-	) Nut, Hex, Std, M8 X 1.25	2
52	39312	(003000-	) Nut, Hex, Std, M10 X 1.5	1
53	08709	(003000-	) Nut, Hex, Lock, M8 X 1.25, NI	1
54	32496	(003000-	) Screw, Pan, #10-24 X 0.50, Fmg	1
55	41342	(003000-	) Screw, Hex, M8 X 1.25 X 40, 8.8	1
56	06535	(003000-	) Screw, Flt, M10 X 1.5 X 35, 10.9	1
57	39284	(003000-	) Screw, Hex, M10 X 1.5 X 35, 8.8	3
58	07792	(003000-	) Nut, Hex, Flng, M10 X 1.5	8
59	09081	(003000-	) Screw, Flt, M10 X 1.5 X 25, 10.9	4
60	32485	(003000-	) Washer, Flat, 0.38 Sae	9
61	39283	(003000-	) Screw, Hex, M10 X 1.5 X 25, 8.8	2
62	41430	(003000-	) Nut, Hex, Lock, M10 X 1.5, NI	4
63	32492	(003000-	) Washer, Flat, 0.38 Std	7
64	09770	(003000-	) Screw, Hex, M10 X 1.5 X 25, Ss, NI	4
65	34195	(003000-	) Screw, Hex, .38-16 X 1.00, NI	4
66	07787	(003000-	) Nut, Hex, Std, M10 X 1.5, Ss	3
67	76438	(003000-	) Screw, Hex, M10 X 1.5 X 90, 8.8, FI	1
68	06944	(003000-	) Screw, Hex, M6 X 1.0 X 25, 8.8	1



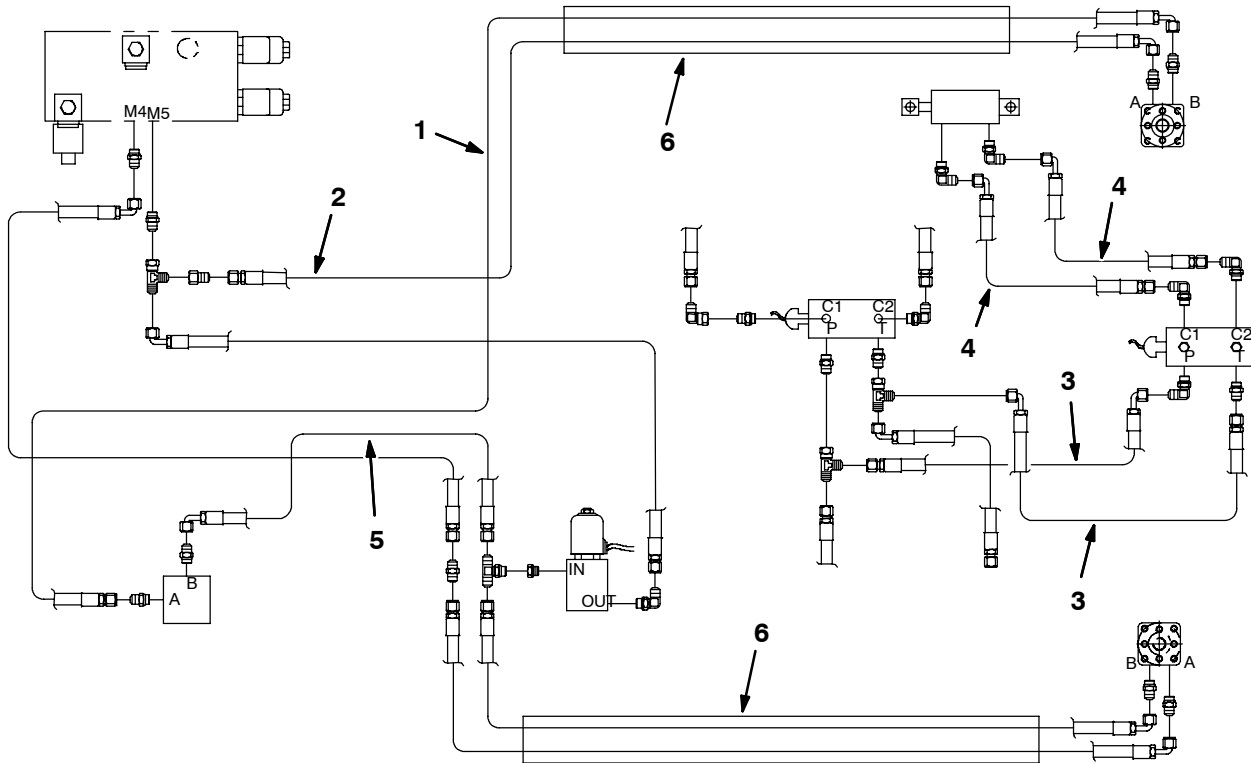
Fig. 14 - Brush Wire Harness Group, Side, L.H.



10501 - ALL

Ref.	Part No.	Serial Number	Description	Qty.
1	83699	(003000-	) Harness, Side Brush, L.H.	1

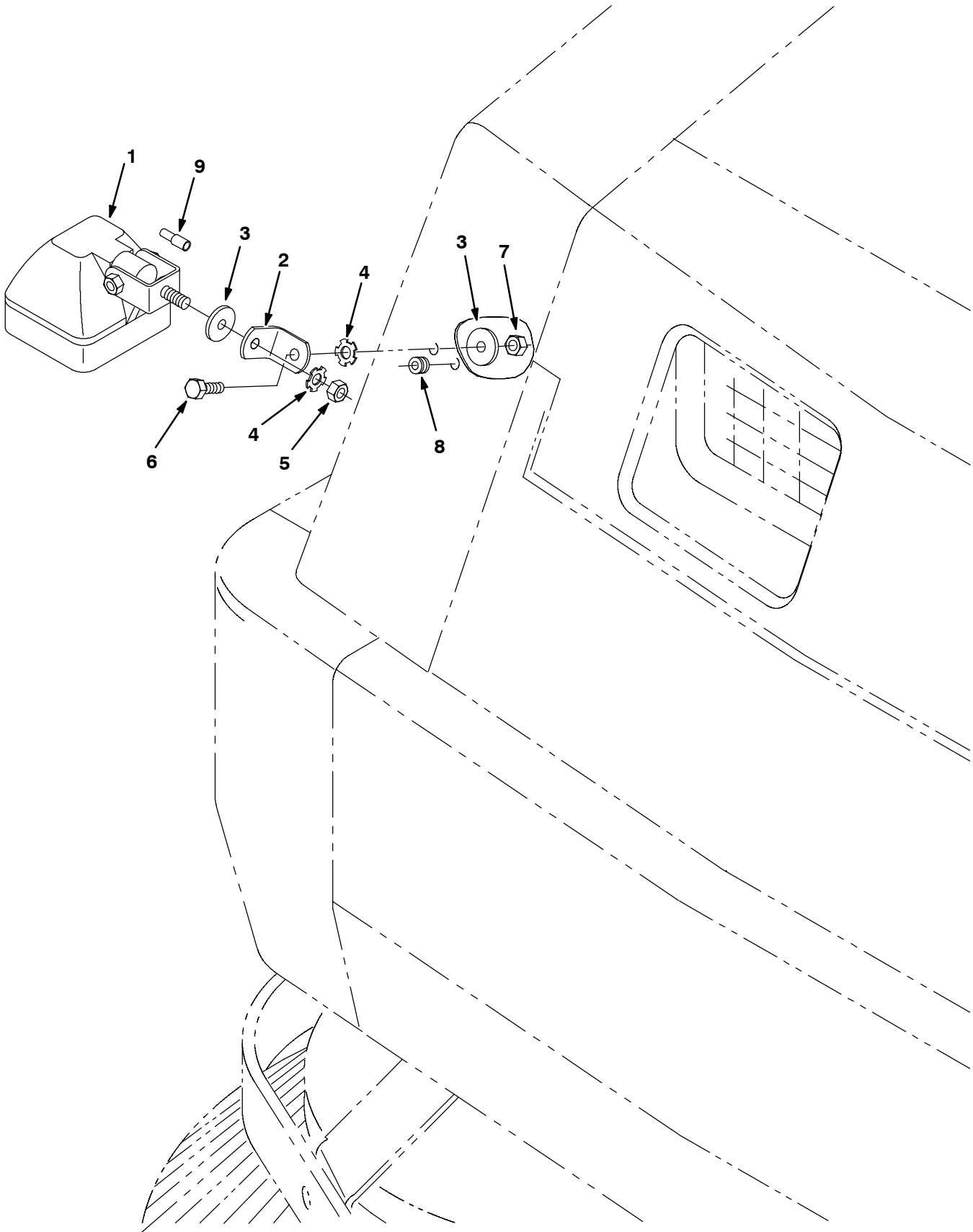
Fig. 15 - Brush Hydraulic Hose Group, Side, L.H.



08765 - 810

Ref.	Part No.	Serial Number	Description	Qty.
1	76684	(003000-	) Hose-Hyd Med 06	1
2	65194	(003000-	) Hose-Hyd Med 06	1
3	78998	(003000-	) Hose-Hyd Med 06	2
4	57963	(003000-	) Hose-Hyd Med 04	2
5	01999	(003000-	) Hose-Hyd Med 06	1
6	76461	(003000-	) Sleeve, Nyl, #27 55.0l	2

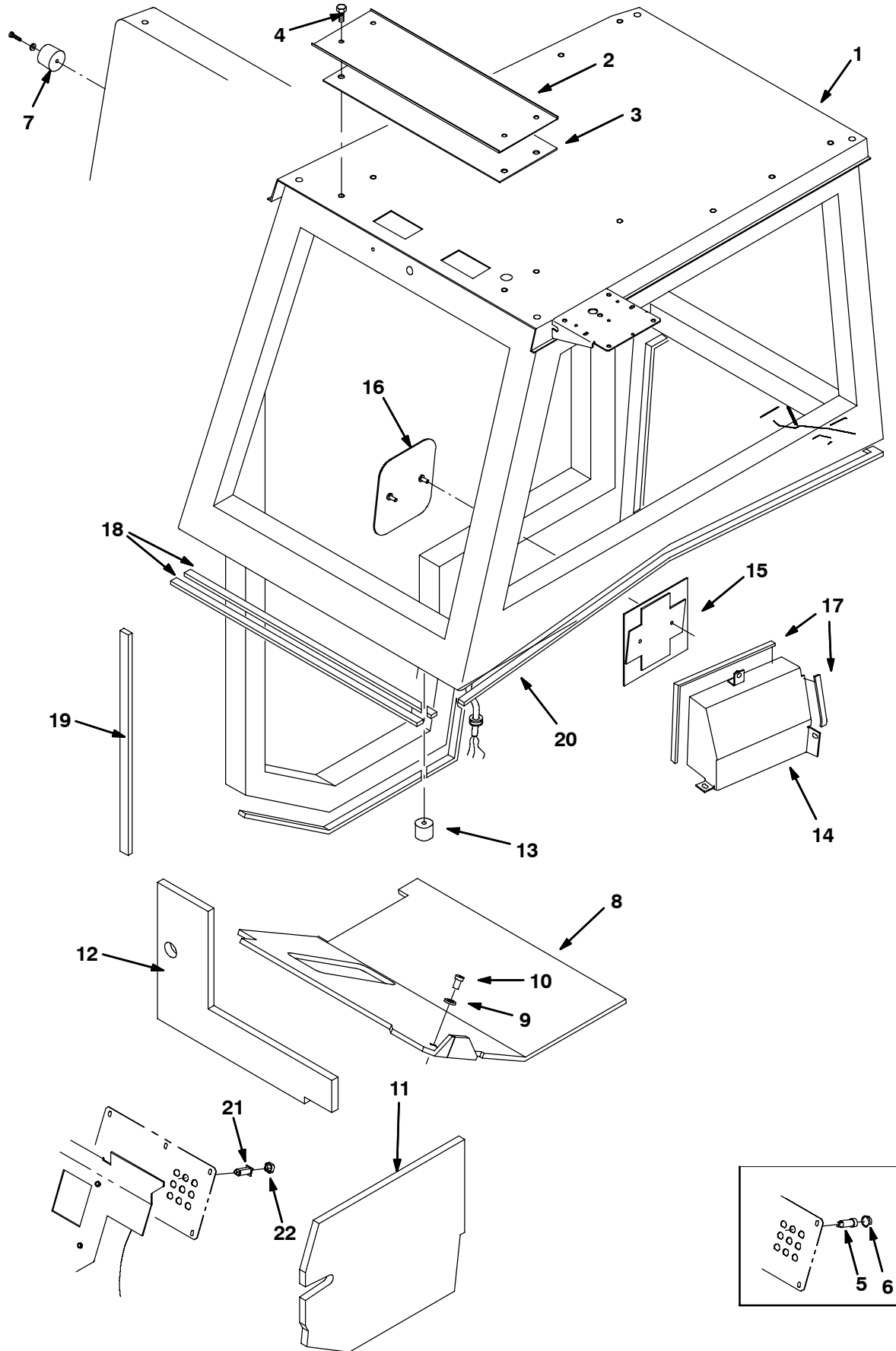
Fig. 16 - Brush Light Kit, Side



**Fig. 16 - Brush Light Kit, Side**

	<b>Ref.</b>	<b>Part No.</b>	<b>Serial Number</b>	<b>Description</b>	<b>Qty.</b>
▽		70699	(003000-	) Light Kit, Side Brush	1
▲▽	1	382979	(003000-	) Light, Spot, 12VDC 55w	1
▲▲		393770	(003000-	) Lamp, 12VDC 55w	1
▲	2	76385	(003000-	) Bracket, Angle	1
▲	3	30013	(003000-	) Washer, Flat, 0.31 Fender	1
▲	4	41141	(003000-	) Washer-Loc Int-Ext .31 Pltd	2
▲	5	32960	(003000-	) Nut, Hex, Lock, .31-24, NI	1
▲	6	16931	(003000-	) Screw, Hex, M08 X 1.25 X 20, 8.8	1
▲	7	08709	(003000-	) Nut, Hex, Lock, M08 X 1.25,NI	1
▲	8	10632-5	(003000-	) Grommet Rbr 0.25ld For .09Matl	1
▲	9	32668	(003000-	) Connector, Ele, Plug, Femal, .156d	1

Fig. 17 - Cab Kit





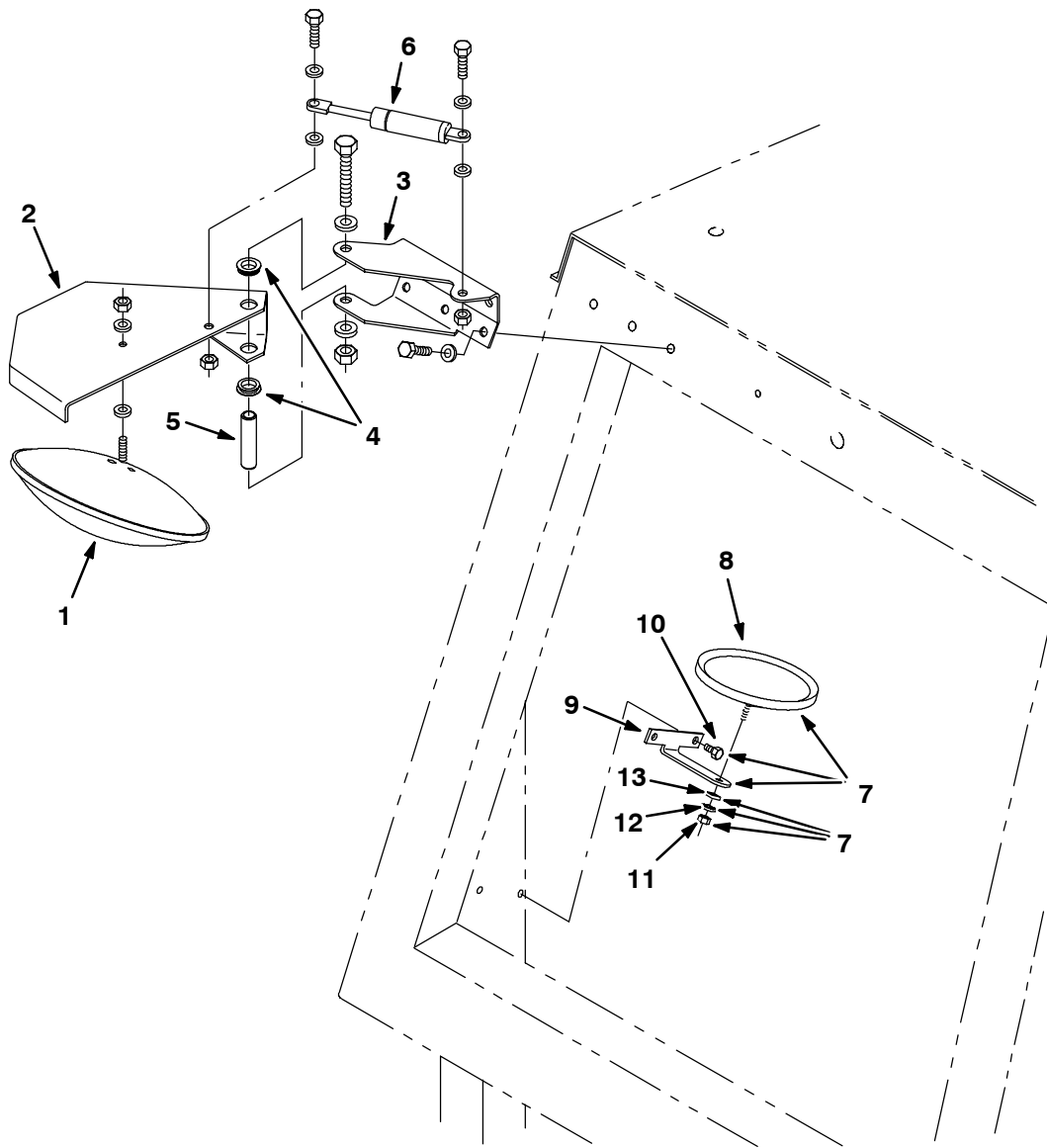
**Fig. 17 - Cab Kit**

*NOTE: The Cab kit, TENNANT Part Number 380601 is for gas machines and includes Fig. 17, Fig. 18, and Fig. 19.*

*NOTE: The Cab kit, TENNANT Part Number 380604 is for Lpg machines and includes Fig. 17, Fig. 18, and Fig. 19.*

<b>Ref.</b>	<b>Part No.</b>	<b>Serial Number</b>	<b>Description</b>	<b>Qty.</b>
1	380602	(003000-	) Cab Assembly Operator (See Breakdowns)	1
2	380634	(003000-	) Cover, Cab Pressurizer	1
3	380635	(003000-	) Gasket, Cab Pressurizer	1
4	74455	(003000-	) Scr-Hxfmgm 6x1.0 12 Pltd	4
5	57803	(003000-005036	) Breaker-Circuit, 15 Resetable	1
6	57751	(003000-005036	) Boot, Circuit Breaker	1
7	44851	(003000-	) Bumper, Rubber	1
8	76522	(003000-	) Tread, Rubber	1
9	41178	(003000-	) Washer-Flt .25 Fender	1
10	21246	(003000-	) Rivet, Plastic	1
11	77652	(003000-	) Insulation, Acstc, Side, Lower, .8t	1
12	76516	(003000-	) Insulation, Acstc, Front, Lower	1
13	383185	(003000-	) Latch Assy, Rbr, 1.6d 1.4l/1.0d 1.0l	1
14	70620	(003000-	) Cover Wldt, Fuel Inlet	1
15	70785	(003000-	) Plate Wldt, Inlet, Fuel (LPG Only)	1
16	70788	(003000-	) Cover Wldt, Inlet, Fuel (LPG Only)	1
17	79011	(003000-	) Seal, Urethane	1
18	374760	(003000-	) Seal, Urethane	1
19	374761	(003000-	) Seal, Urethane	1
20	374762	(003000-	) Seal, Urethane	1
21	1045858	(005037-	) Circuitbreaker, 15A, Resetable	1
22	1046173	(005037-	) Boot, Circuitbreaker	1

Fig. 18 - Cab Mirror Kit



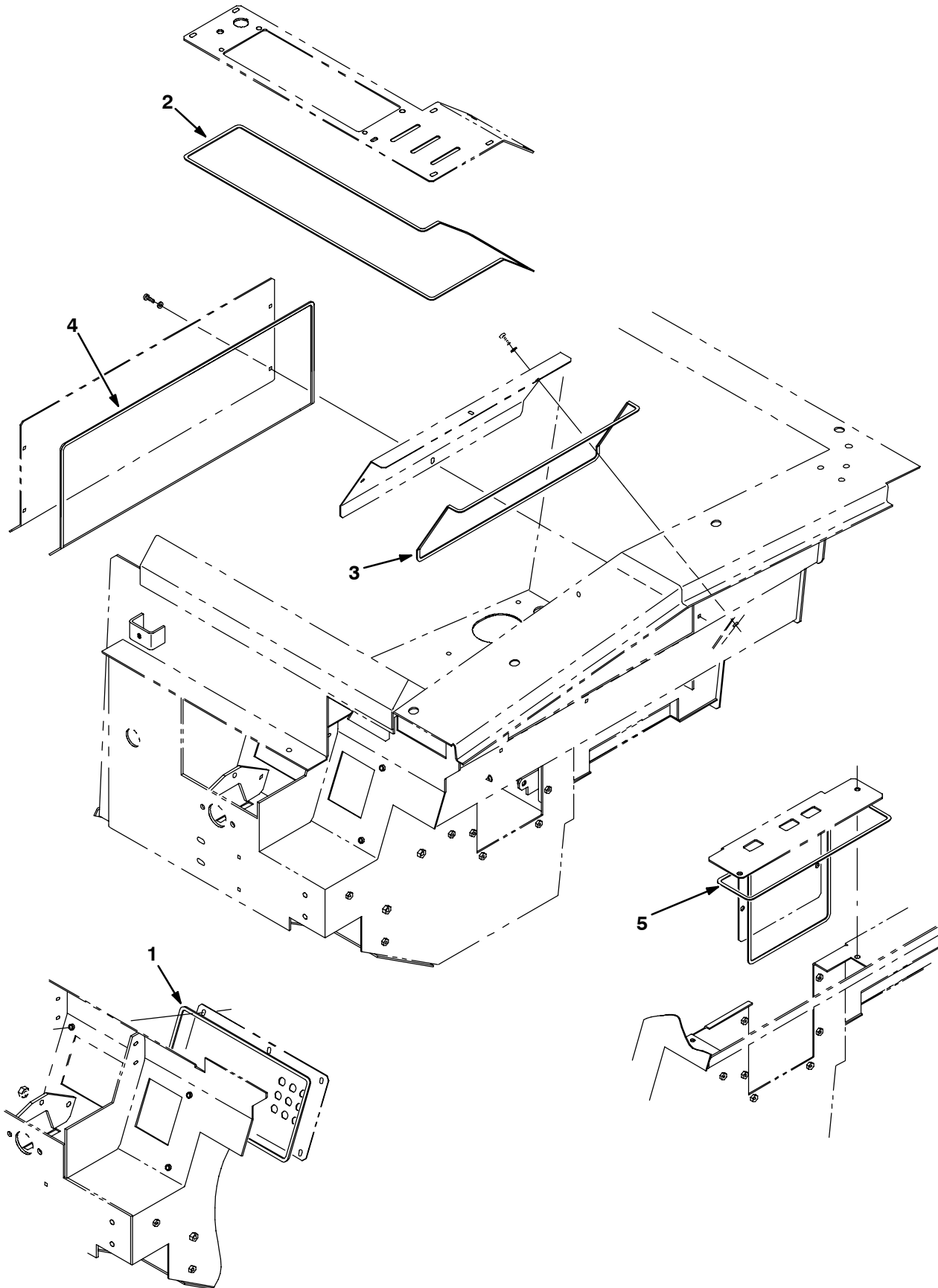
**Fig. 18 - Cab Mirror Kit**

*NOTE: The Cab kit, TENNANT Part Number 380601 is for gas machines and includes Fig. 17, Fig. 18, and Fig. 19.*

*NOTE: The Cab kit, TENNANT Part Number 380604 is for Lpg machines and includes Fig. 17, Fig. 18, and Fig. 19.*

	<b>Ref.</b>	<b>Part No.</b>	<b>Serial Number</b>	<b>Description</b>	<b>Qty.</b>
▽		76898	(003000-	) Mirror Kit, Side Brush	1
▲	1	68445	(003000-	) Mirror,8.0 Round,Convex	1
▲	2	75881	(003000-	) Guard, Mirror	1
▲	3	75880	(003000-	) Bracket, Mounting, Mirror	1
▲	4	41434	(003000-	) Bshg,Flange,0.62Bx0.68Od,Nylon	2
▲	5	70761	(003000-	) Tube, 0.62D .44B 2.44, Stl	1
▲	6	12549	(003000-	) Spring, Gas 80 Lb	1
▲▽	7	369786	(003000-	) Mirror Assembly	1
▲▲	8	1050295	(003000-	) Mirror, Convex, 0.50d	1
▲▲	9	49032	(003000-	) Bracket, Mtg, Mirror	1
▲▲	10	74455	(003000-	) Screw, Hex m06	2
▲▲	11	01691	(003000-	) Nut, Hex, Std, .31-18, Ss	1
▲▲	12	43952	(003000-	) Washer, Lock, Int, 0.31 Ss	1
▲▲	13	01685	(003000-	) Washer, Flat, 0.31 Ss	1

Fig. 19 - Cab Seals Group



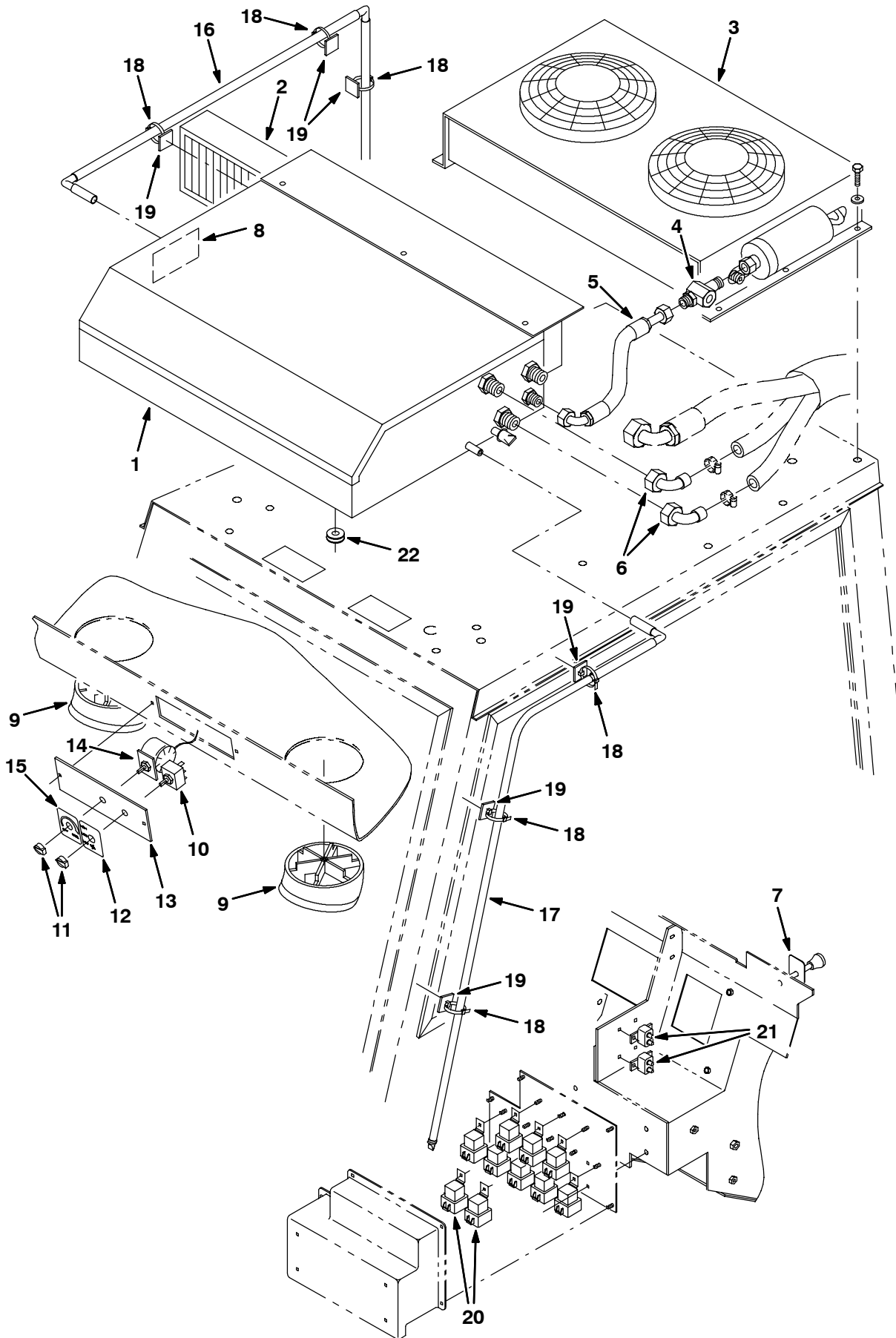
**Fig. 19 - Cab Seals Group**

*NOTE: The Cab kit, TENNANT Part Number 380601 is for gas machines and includes Fig. 17, Fig. 18, and Fig. 19.*

*NOTE: The Cab kit, TENNANT Part Number 380604 is for Lpg machines and includes Fig. 17, Fig. 18, and Fig. 19.*

<b>Ref.</b>	<b>Part No.</b>	<b>Serial Number</b>	<b>Description</b>	<b>Qty.</b>
1	1021969	(003000-	) Seal, Foam, .06t .25w 42.0l	1
2	1021968	(003000-	) Seal, Foam, .06t .25w 84.0l	1
3	1021937	(003000-	) Seal, Foam, .06t .25w 54.0l	1
4	1021966	(003000-	) Seal, Foam, .06t .25w 76.0l	1
5	1021951	(003000-	) Seal, Foam, .06t .25w 34.0l	1

Fig. 20 - Cab AC and Heater Box Group, Ford

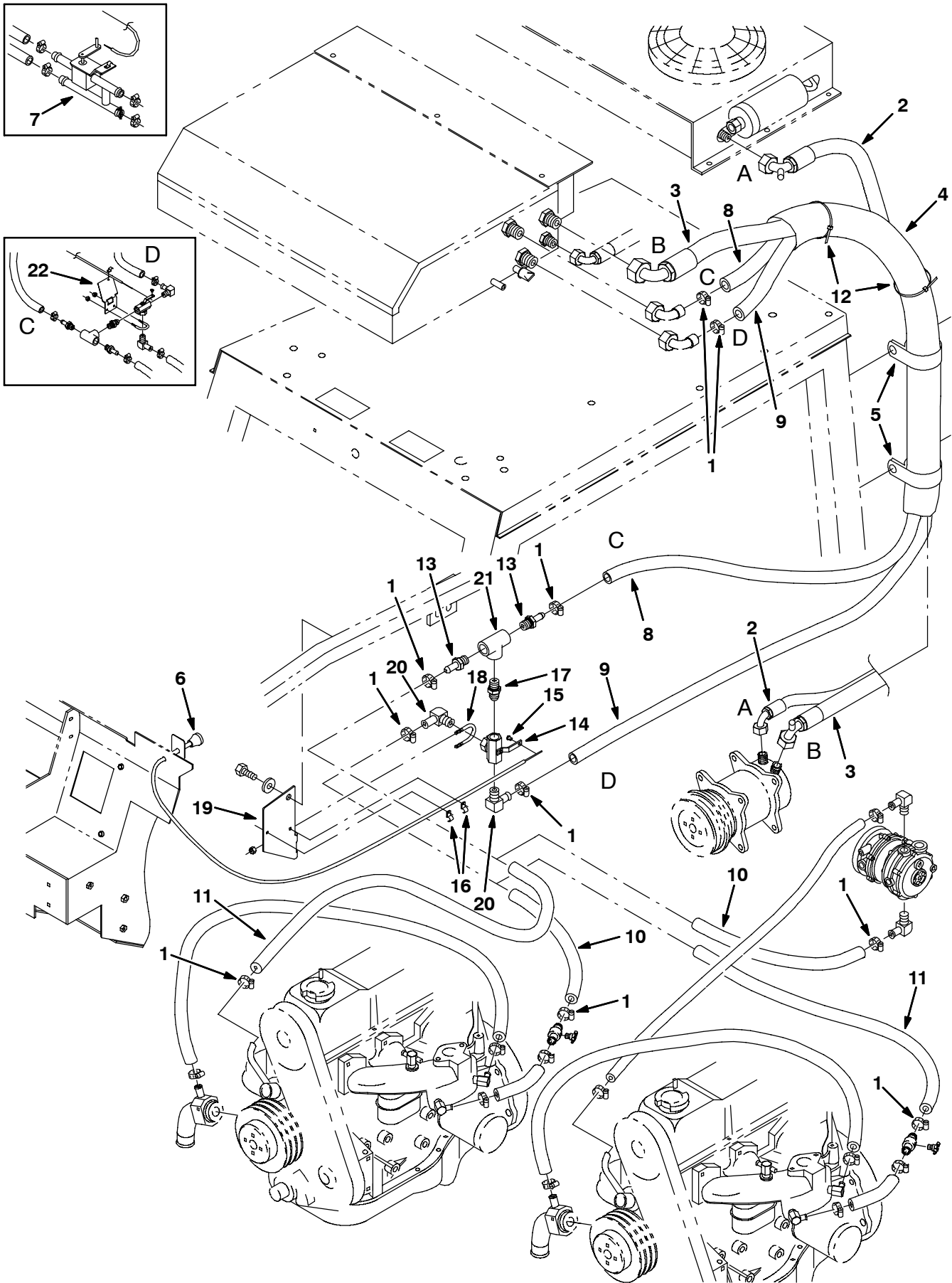


**Fig. 20 - Cab AC and Heater Box Group, Ford**

NOTE: AC/Heater kit, TENNANT Part Number 380574 includes Fig. 20, Fig. 21, and Fig. 22.

	Ref.	Part No.	Serial Number	Description	Qty.
▽		380576	(003000-003178 )	Heater & A/C, W/ Fan, Roof	1
▲	1	380613	(003000-003178 )	Box Assy, Heater, A/C (See Breakdowns)	1
▲	2	380689	(003000-003178 )	Filter, Panel, Heat-A/C	1
▲	3	380625	(003000-003178 )	Condenser, A/C, Roof (See Breakdowns)	1
▲	4	380630	(003000-003178 )	Gauge, Sight, A/C	1
▲	5	380684	(003000-003178 )	Hose, A/C, 06 09.0l	1
▲	6	380615	(003000-003178 )	Fitting, Elbow	2
▲	7	380663	(003000-003178 )	Label, Opertnl, Pull Heat	1
▲	8	380673	(003000-003178 )	Label, Caution	1
▲	9	380617	(003000-003178 )	Louver, Adj, Heat-A/C	2
▲	10	380619	(003000-003178 )	Switch, 3 Pos, Blower, Heat	1
▲	11	380661	(003000-003178 )	Knob, Rnd, Control, Heat-A/C	2
▲	12	380662	(003000-003178 )	Label, Opertnl, Fan, Hi/Med/Low	1
▲	13	380690	(003000-003178 )	Plate, Mtg, Switch, A/C	1
▲	14	380624	(003000-003178 )	Switch, Thermo, A/C	1
▲	15	380665	(003000-003178 )	Label, Opertnl, Temp	1
▲	16	374134	(003000-003178 )	Hose Assy, Drain, A/C	1
▲	17	374135	(003000-003178 )	Hose Assy, Drain, A/C	1
▲	18	49266	(003000-003178 )	Tie, Cable, Nyl, 07.3l .19w 1.8 Max D	10
▲	19	55248	(003000-003178 )	Mount, Cable Tie	10
	20	56186	(003000-003178 )	Relay, 12vdc, 40a, Spdt N/O	2
	21	374210	(003000-003178 )	Circuitbreaker, 20.0a, Thermal	2
	22	77811	(003000-003178 )	Grommet, Cab, Harness, Wire	1

Fig. 21 - Cab AC and Heater Hose Group, Ford



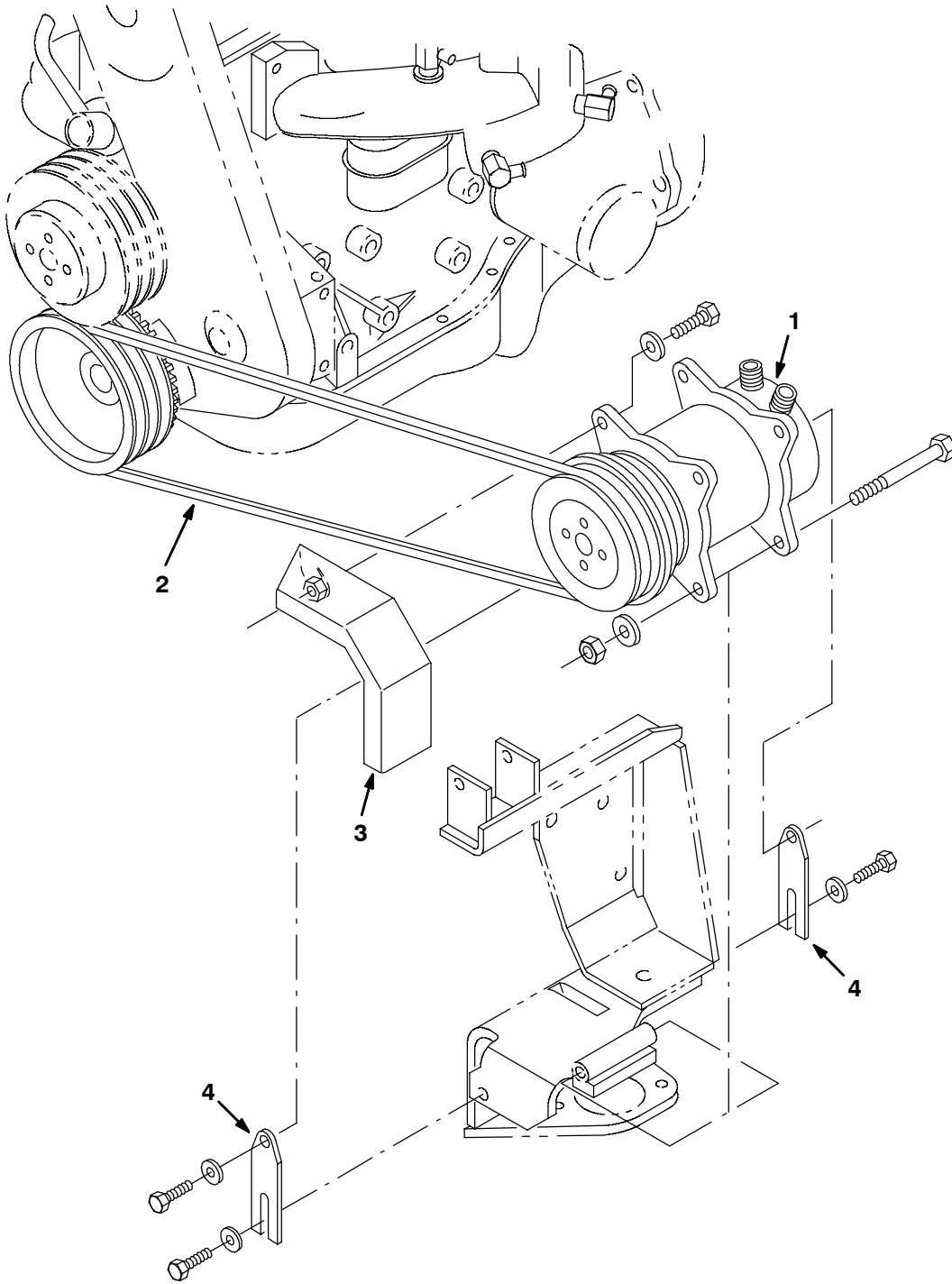


**Fig. 21 - Cab AC and Heater Hose Group, Ford**

NOTE: AC/Heater kit, TENNANT Part Number 380574 includes Fig. 20, Fig. 21, and Fig. 22.

Ref.	Part No.	Serial Number	Description	Qty.
1	63810	(003000-003178 )	Clamp, Hose, Wormdrive, 0.56-1.06d	8
2	380685	(003000-003178 )	Hose, A/C, 08 100.0l [R134]	1
3	380686	(003000-003091 )	Hose, A/C, 12 107.0l [R134]	1
3	375751	(003092-003178 )	Hose, A/C, 12 115.0l [R134]	1
4	375512	(003000-003178 )	Sleeve, Nyl, #33 65.0l	1
5	41016	(003000-003178 )	Clamp, Cable, Stl, 2.25d X 1.00w, 1h	1
6	43558A	(003000-003178 )	Cable, Cntrl, Choke, 85/90l 1.4d Knob	1
7	380618	(003000-003076 )	Valve, Water, Heater, H, 10bm	1
8	380621	(003000-003178 )	Hose, Heater, 0.62id 80.0l	1
9	380620	(003000-003178 )	Hose, Heater, 0.62id 77.0l	1
10	72979	(003000-003121 )	Hose, Heater, 0.62id 20.0l	1
10	61870	(003122-003178 )	Hose, Heater, 0.62id 31.0l	1
11	72978	(003000-003121 )	Hose, Heater, 0.62id 13.0l	1
11	61869	(003122-003178 )	Hose, Heater, 0.62id 24.0l	1
12	763116	(003000-003178 )	Tie, Cable, Nyl, 15.3l . W 4.5 Max D	3
▽	375728	(003077-003178 )	Valve Assy, Ball, 3 Way, Em10/Em10/Em10	1
▲	13 59901	(003077-003178 )	Fitting, Brs, Str, Em10/Pm08	2
▲	14 31507	(003077-003178 )	Valve, Ball, 3-way, 08pf/08pf/08pf Brs	1
▲	15 43242	(003077-003178 )	Swivel	1
▲	16 1043352	(003077-003178 )	Clamp, Cable, Stl, 0.18d X 0.75w, 1hole	2
▲	17 40573	(003077-003178 )	Fitting, Hyd, Str, Pm08/Pm08	1
▲	18 45142	(003077-003178 )	Bolt, U, .25-20 X 2.00, 1.10id	1
▲	19 374129	(003122-003178 )	Bracket, Mtg, Valve, Cntrl, Heater	1
▲	20 30268	(003077-003178 )	Fitting, Brs, E90, Em10/Pm08	2
▲	21 24450	(003077-003178 )	Fitting, Brs, Tee, Pf08/Pf08/Pf08	1
	22 375726	(003077-003121 )	Bracket, Mtg, Valve,Control, Heater	1

Fig. 22 - Cab AC Compressor Group, Ford

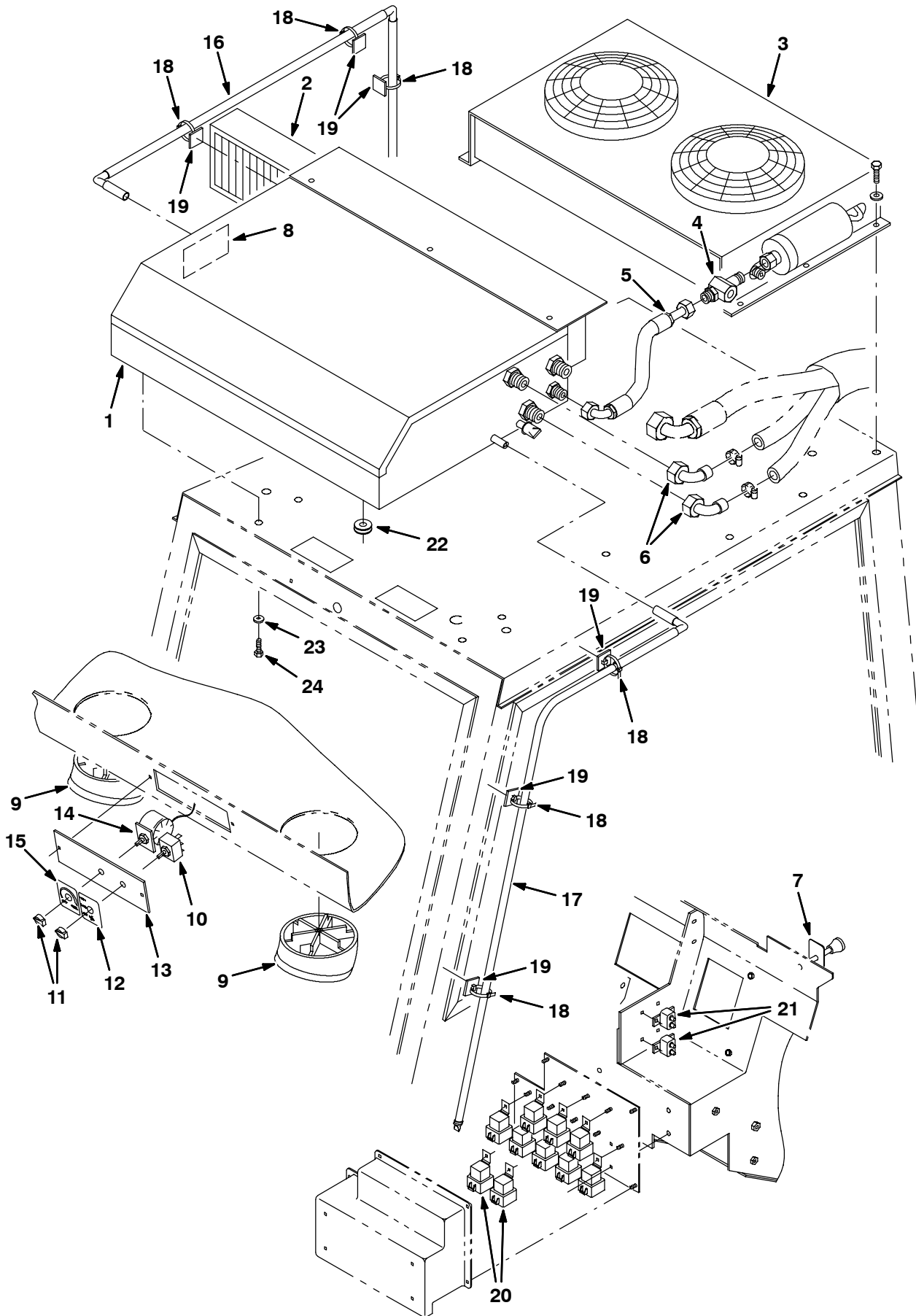


**Fig. 22 - Cab AC Compressor Group, Ford**

*NOTE: AC/Heater kit, TENNANT Part Number 380574 includes Fig. 20, Fig. 21, and Fig. 22.*

<b>Ref.</b>	<b>Part No.</b>	<b>Serial Number</b>	<b>Description</b>	<b>Qty.</b>
1	77674	(003000-003178 )	Compressor, A/C	1
2	380676	(003000-003178 )	Belt, V, Hc41 41.1L	1
2	375729	(003000-003178 )	Belt, V, Hc41 40.1L	1
3	380563	(003000-003178 )	Bracket, Belt, Guard, Ac	1
4	380697	(003000-003178 )	Link, Tension 2.4L	2

Fig. 23 - Cab AC and Heater Box Group, GM

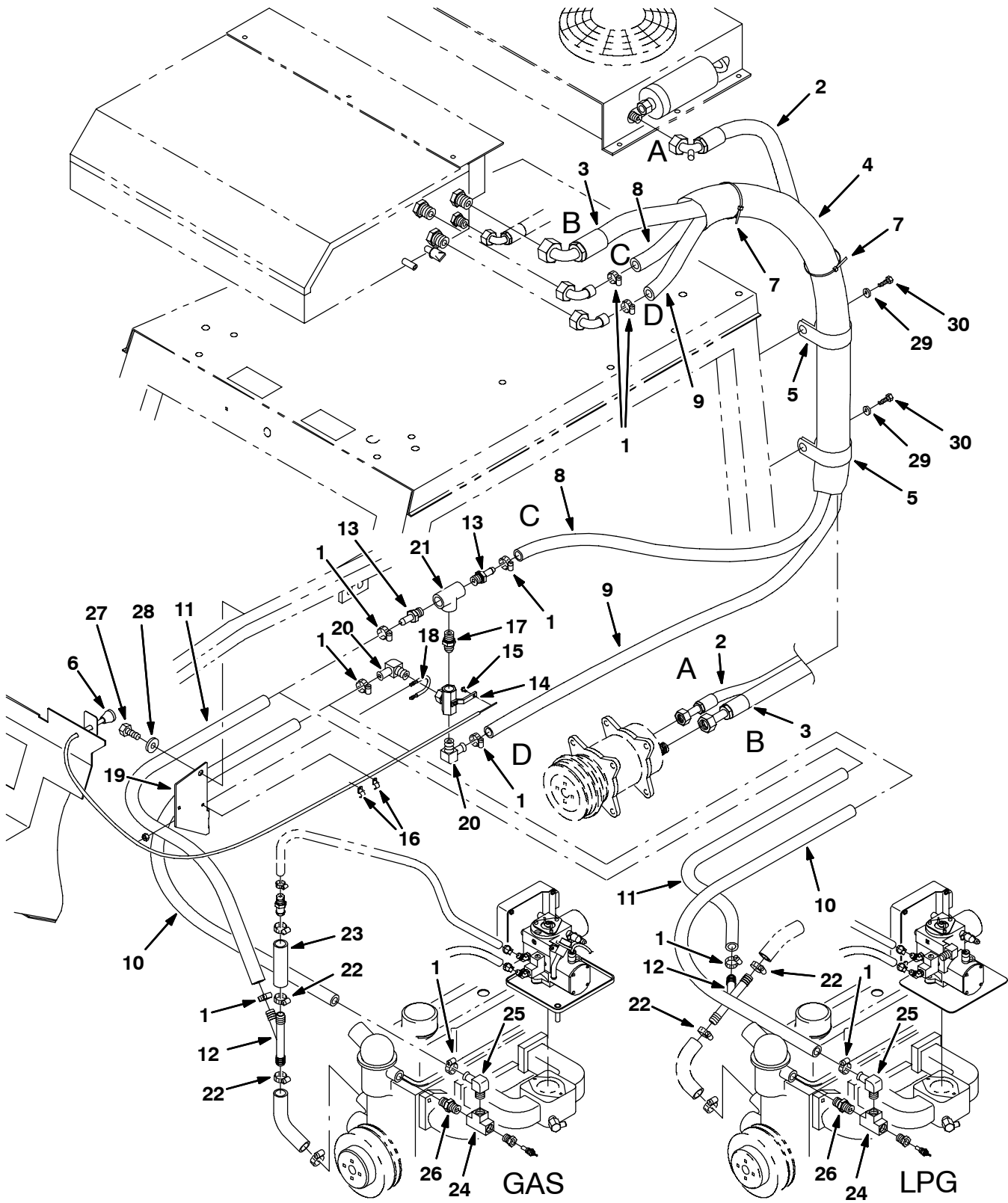


**Fig. 23 - Cab AC and Heater Box Group, GM**

NOTE: AC/Heater kit, TENNANT Part Number 374287 includes Fig. 23, Fig. 24, and Fig. 25.

Ref.	Part No.	Serial Number	Description	Qty.
▽	380576	(003179-	) Heater & A/C, W/ Fan, Roof	1
▲	1 380613	(003179-	) Box Assy, Heater, A/C (See Breakdowns)	1
▲	2 380689	(003179-	) Filter, Panel, Heat-A/C	1
▲	3 380625	(003179-	) Condenser, A/C, Roof (See Breakdowns)	1
▲	4 380630	(003179-	) Gauge, Sight, A/C	1
▲	5 380684	(003179-	) Hose, A/C, 06 09.0l	1
▲	6 380615	(003179-	) Fitting, Elbow	2
▲	7 380663	(003179-	) Label, Opertnl, Pull Heat	1
▲	8 380673	(003179-	) Label, Caution	1
▲	9 380617	(003179-	) Louver, Adj, Heat-A/C	2
▲	10 380619	(003179-	) Switch, 3 Pos, Blower, Heat	1
▲	11 380661	(003179-	) Knob, Rnd, Control, Heat-A/C	2
▲	12 380662	(003179-	) Label, Opertnl, Fan, Hi/Med/Low	1
▲	13 380690	(003179-	) Plate, Mtg, Switch, A/C	1
▲	14 380624	(003179-	) Switch, Thermo, A/C	1
▲	15 380665	(003179-	) Label, Opertnl, Temp	1
▲	16 374134	(003179-	) Hose Assy, Drain, A/C	1
▲	17 374135	(003179-	) Hose Assy, Drain, A/C	1
▲	18 49266	(003179-	) Tie, Cable, Nyl, 07.3l .19w 1.8 Max D	10
▲	19 55248	(003179-	) Mount, Cable Tie	10
	20 56186	(003179-	) Relay, 12vdc, 40a, Spdt N/O	2
	21 374210	(003179-	) Circuitbreaker, 20.0a, Thermal	2
	22 77811	(003179-	) Grommet, Cab, Harness, Wire	1
	23 32490	(003179-	) Washer, Flat, 0.25 Std	12
	24 12459	(003179-	) Screw, Hex, M6 X 1.0 X 20, Fmg	12

Fig. 24 - Cab AC and Heater Hose Group, GM



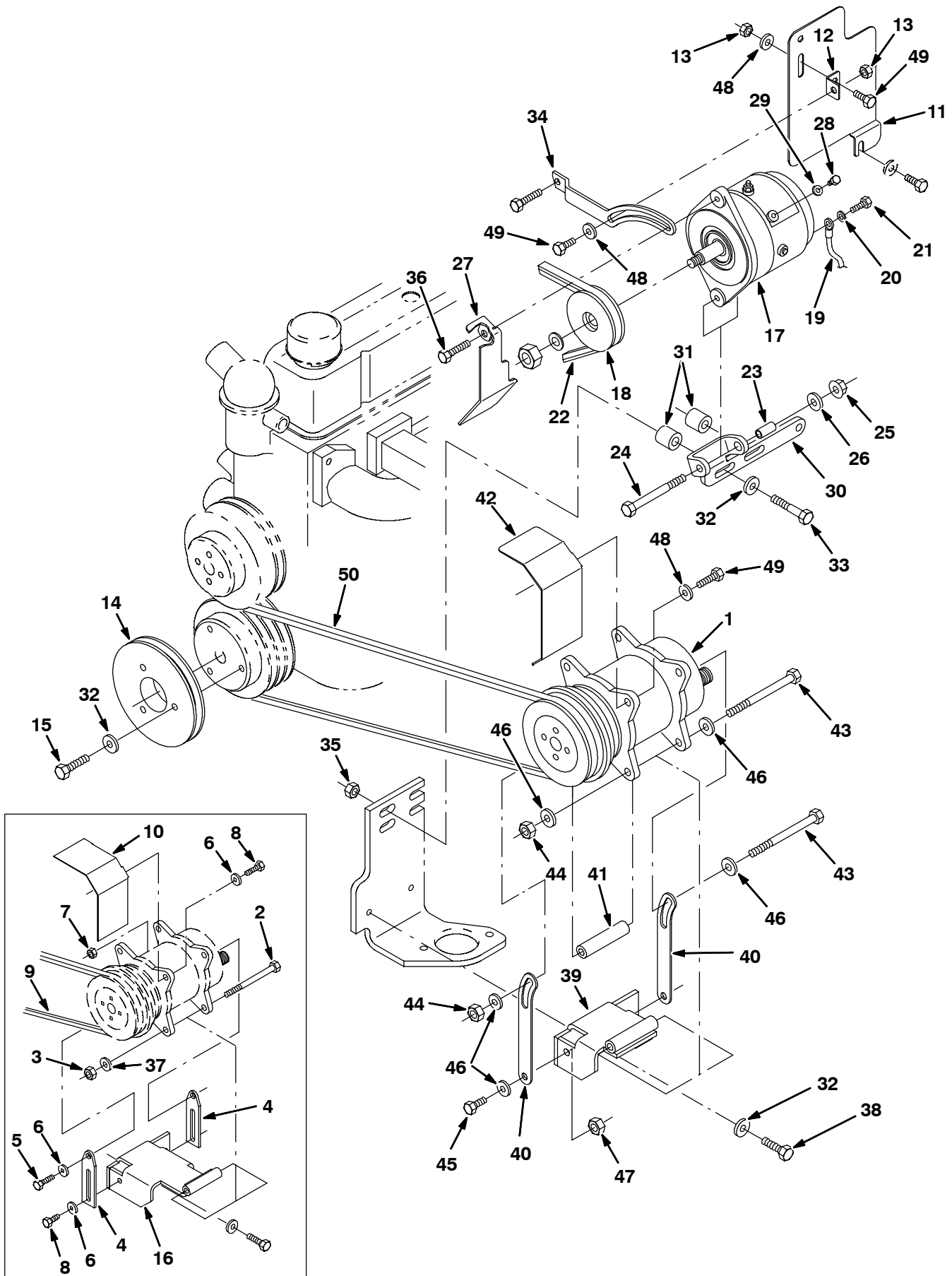
**Fig. 24 - Cab AC and Heater Hose Group, GM**

NOTE: AC/Heater kit, TENNANT Part Number 374287 includes Fig. 23, Fig. 24, and Fig. 25.

NOTE: AC/Heater kit, TENNANT Part Number 9002998 includes Fig. 23, Fig. 24, and .Fig. 26

Ref.	Part No.	Serial Number	Description	Qty.
1	63810	(003179-	) Clamp, Hose, Wormdrive, 0.56-1.06d	8
2	1021799	(003179-	) Hose, A/C, 08, Str/E90, 112.0l [R134]	1
3	1021797	(003179-	) Hose, A/C, 12, Str/E90, 127.0l [R134]	1
4	375512	(003179-	) Sleeve, Nyl, #33 65.0l	1
5	41016	(003179-	) Clamp, Cable, Stl, 2.25d X 1.00w, 1h	1
6	43558A	(003179-	) Cable, Cntrl, Choke, 85/90l 1.4d Knob	1
7	763116	(003179-	) Tie, Cable, Nyl, 15.3l . W 4.5 Max D	3
8	380621	(003179-	) Hose, Heater, 0.62id 80.0l	1
9	380620	(003179-	) Hose, Heater, 0.62id 77.0l	1
10	61870	(003179-	) Hose, Heater, 0.62id 31.0l	1
11	61869	(003179-	) Hose, Heater, 0.62id 24.0l	1
12	393255	(003179-	) Fitting, Plstc, Tee, Bm12/Bm12/Bm12	1
▽	375728	(003179-	) Valve Assy, Ball, 3 Way, Em10/Em10/Em10	1
▲	13 59901	(003179-	) Fitting, Brs, Str, Em10/Pm08	2
▲	14 31507	(003179-	) Valve, Ball, 3-way, 08pf/08pf/08pf Brs	1
▲	15 43242	(003179-	) Swivel	1
▲	16 1043352	(003179-	) Clamp, Cable, Stl, 0.18d X 0.75w, 1hole	2
▲	17 40573	(003179-	) Fitting, Hyd, Str, Pm08/Pm08	1
▲	18 45142	(003179-	) Bolt, U, .25-20 X 2.00, 1.10id	1
▲	19 374129	(003179-	) Bracket, Mtg, Valve, Cntrl, Heater	1
▲	20 30268	(003179-	) Fitting, Brs, E90, Em10/Pm08	2
▲	21 24450	(003179-	) Fitting, Brs, Tee, Pf08/Pf08/Pf08	1
	22 11399	(003179-	) Clamp, Hose, Wormdrive, 0.81-1.50d	2
	23 75197	(003179-	) Hose, Heater, 0.75id 04.0l	1
	24 24450	(003179-	) Fitting, Brass, Tee	1
	25 30268	(003179-	) Fitting, Brs, E90, Em10/Pm08	1
	26 40573	(003179-	) Fitting, Hyd, Str, Pm08/Pm08	1
	27 16930	(003179-	) Screw, Hex, M10 X 1.5 X 50, 8.8	1
	28 32492	(003179-	) Washer, Flat, 0.38 Std	1
	29 32490	(003179-	) Washer, Flat, 0.25 Std	2
	30 12459	(003179-	) Screw, Hex, M6 X 1.0 X 20, Fmg	2

**Fig. 25 - Cab AC Compressor Group, GM (003000-004499)**





**Fig. 25 - Cab AC Compressor Group, GM (003000-004499)**

NOTE: AC/Heater kit, TENNANT Part Number 374287 includes Fig. 23, Fig. 24, and Fig. 25.

NOTE: AC/Heater kit, TENNANT Part Number 9002998 includes Fig. 23, Fig. 24, and .Fig. 26

Ref.	Part No.	Serial Number	Description	Qty.
1	393219	(003179-004499 )	Compressor, A/C	1
2	20177	(003179-004054 )	Screw, Hex, .38-16 X 4.00, 5	1
3	59156	(003179-004054 )	Nut, Hex, Lock, .38-16, NI, Ss	1
4	73717	(003179-004054 )	Arm, Tension, A/C, .18 1.3w 4.2l	1
5	76570	(003179-004054 )	Screw, Hex, M8 X 1.25 X 30, 8.8	2
6	32491	(003179-004054 )	Washer, Flat, 0.31 Std	4
7	08709	(003179-004054 )	Nut, Hex, Lock, M8 X 1.25, NI	2
8	16931	(003179-004054 )	Screw, Hex, M8 X 1.25 X 20, 8.8	4
9	64899	(003179-004054 )	Belt, V, [3v] 40.0l, 1only [Hc38]	1
10	1007343	(003179-004054 )	Bracket, Belt, Guard, A/C	1
11	1019513	(003179-004499 )	Plate, Shield, Heat	1
12	1008513	(003179-004499 )	Angle, Heat, Shield	1
13	39311	(003179-004499 )	Nut, Hex, Std, M08 X 1.25	2
14	393201	(003179-004499 )	Sheave, Aux, [Hc38], 1Grv 6.8od [Gm 3.0L]	1
15	39670	(003179-004499 )	Screw, Hex, .38-24 X 1.50, 5	3
16	392613	(003179-004054 )	Bracket Wldt, Mtg, A/C	1
17	75828	(003179-004499 )	Alternator, 12vdc, 100A [Brushless]	1
18	77555	(003179-004499 )	Sheave, [3L], 1Grv, 03.5Pd 0.67B	1
19	31525	(003179-004499 )	Wire, 10ga 16.0l Blk .38ring /.25ring	1
20	371509	(003179-004499 )	Washer, Lock, .38	1
21	39277	(003179-004499 )	Screw, Hex, M8 X 1.25 X 25, 8.8	1
22	393244	(003179-004499 )	Belt, V, [Hc41] 42.0l	1
23	1008512	(003179-004499 )	Bushing, Sleeve, .40b X .50d X 1.06l	1
24	34877	(003179-004499 )	Screw, Hex, M10 X 1.5 X 100, 8.8	1
25	07792	(003179-004499 )	Nut, Hex, Flng, M10 X 1.5	1
26	41186	(003179-004499 )	Washer, Belleville, .31	1
27	1008538	(003179-004499 )	Bracket, Guard, Alternator, Hd [Gm3.0l]	1
28	21237	(003179-004499 )	Screw, Hex, M4 X 0.7 X 6, 8.8	1
29	32978	(003179-004499 )	Washer, Lock, Int, #08	1
30	1008510	(003179-004499 )	Bracket, Mtg, Alternator, Hd,[Gm3.0l]	1
31	35756	(003179-004499 )	Tube, 01.00d 00.50b 01.0l Stl Pnt	2
32	32492	(003179-004499 )	Washer, Flat, 0.38 Std	4
33	27991	(003179-004499 )	Screw, Hex, .38-16 X 2.25, 5	2
34	1008519	(003179-004499 )	Arm, Alternator, Hd [Gm3.0l]	1
35	50902	(003179-004499 )	Nut, Hex, Lock, .38-16, NI	2
36	04375	(003179-004499 )	Screw, Hex, M 8 X 1.25 X 40, FI	1
37	32492	(003179-004054 )	Washer, Flat, 0.38 Std	6
38	06537	(003179-004499 )	Screw, Hex, M10 X 1.5 X 120, 8.8, FI	2
39	1017085	(004055-004499 )	Bracket Wldt, Mtg, A/C	1
40	1017102	(004055-004499 )	Arm, Tens	2
41	1017292	(004055-004499 )	Tube, 00.75d 00.41b 03.3l Stl PI	2
42	1017515	(004055-004499 )	Guard, Belt, A/C	1
43	07819	(004055-004499 )	Screw, Hex, M10 X 1.5 X 130, 8.8	2
44	32715	(004055-004499 )	Nut, Hex, Lock, M10 X 1.5, Ss	2

**Fig. 25 - Cab AC Compressor Group, GM (003000-004499)**

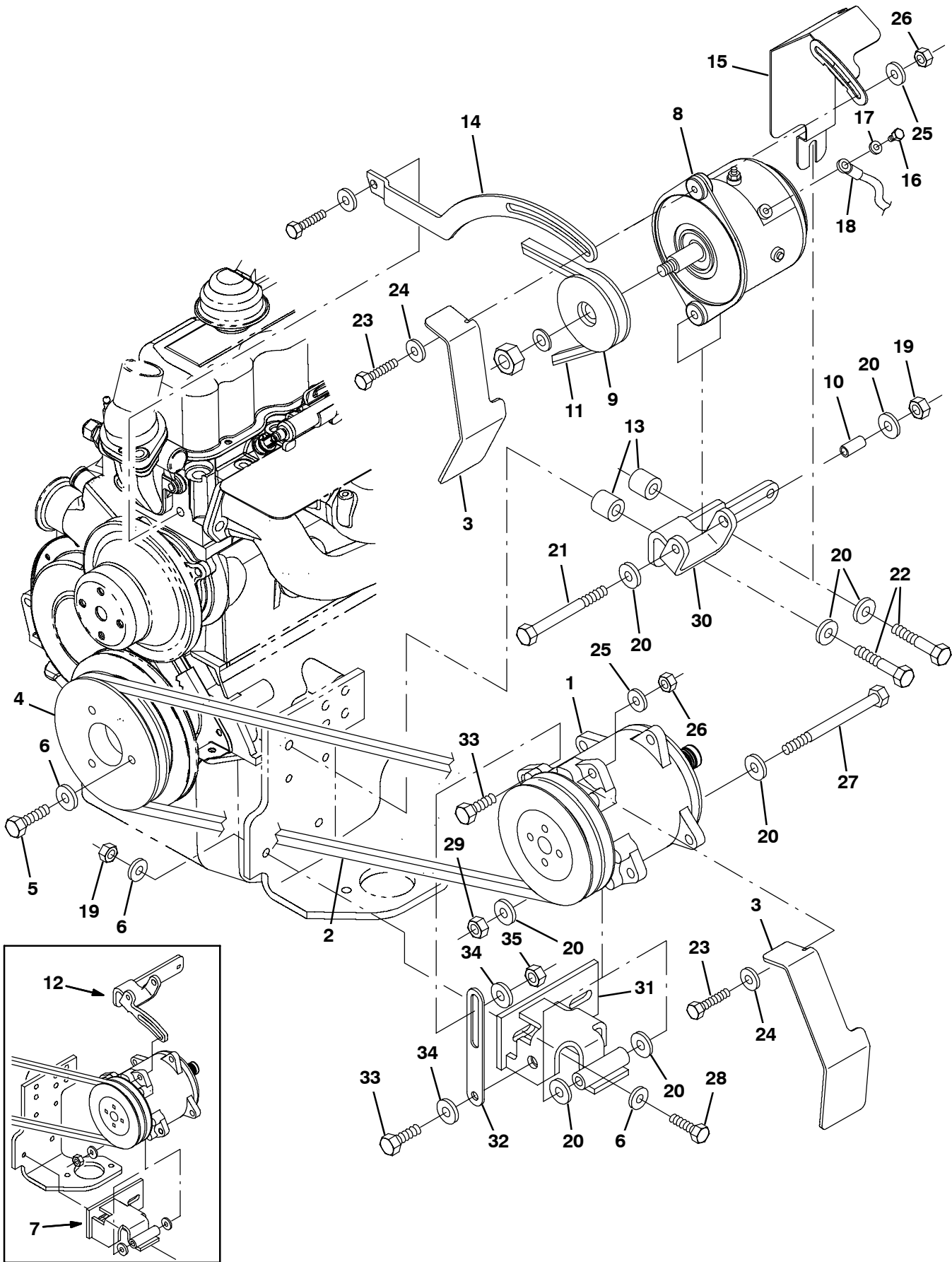
*NOTE: AC/Heater kit, TENNANT Part Number 374287 includes Fig. 23, Fig. 24, and Fig. 25.*

*NOTE: AC/Heater kit, TENNANT Part Number 9002998 includes Fig. 23, Fig. 24, and .Fig. 26*

<b>Ref.</b>	<b>Part No.</b>	<b>Serial Number</b>	<b>Description</b>	<b>Qty.</b>
45	39283	(004055-004499 )	Screw, Hex, M10 X 1.5 X 25, 8.8	2
46	32485	(004055-004499 )	Washer, Flat, 0.38 Sae	6
47	41430	(004055-004499 )	Nut, Hex, Lock, M10 X 1.5, NI	2
48	32491	(004055-004499 )	Washer, Flat, 0.31 Std	4
49	16931	(004055-004499 )	Screw, Hex, M8 X 1.25 X 20, 8.8	4
50	380544	(004055-004499 )	Belt, V, [3v] 38.5l [Hc38/41]	1



**Fig. 26 - Cab AC Compressor Group, GM (004500- )**

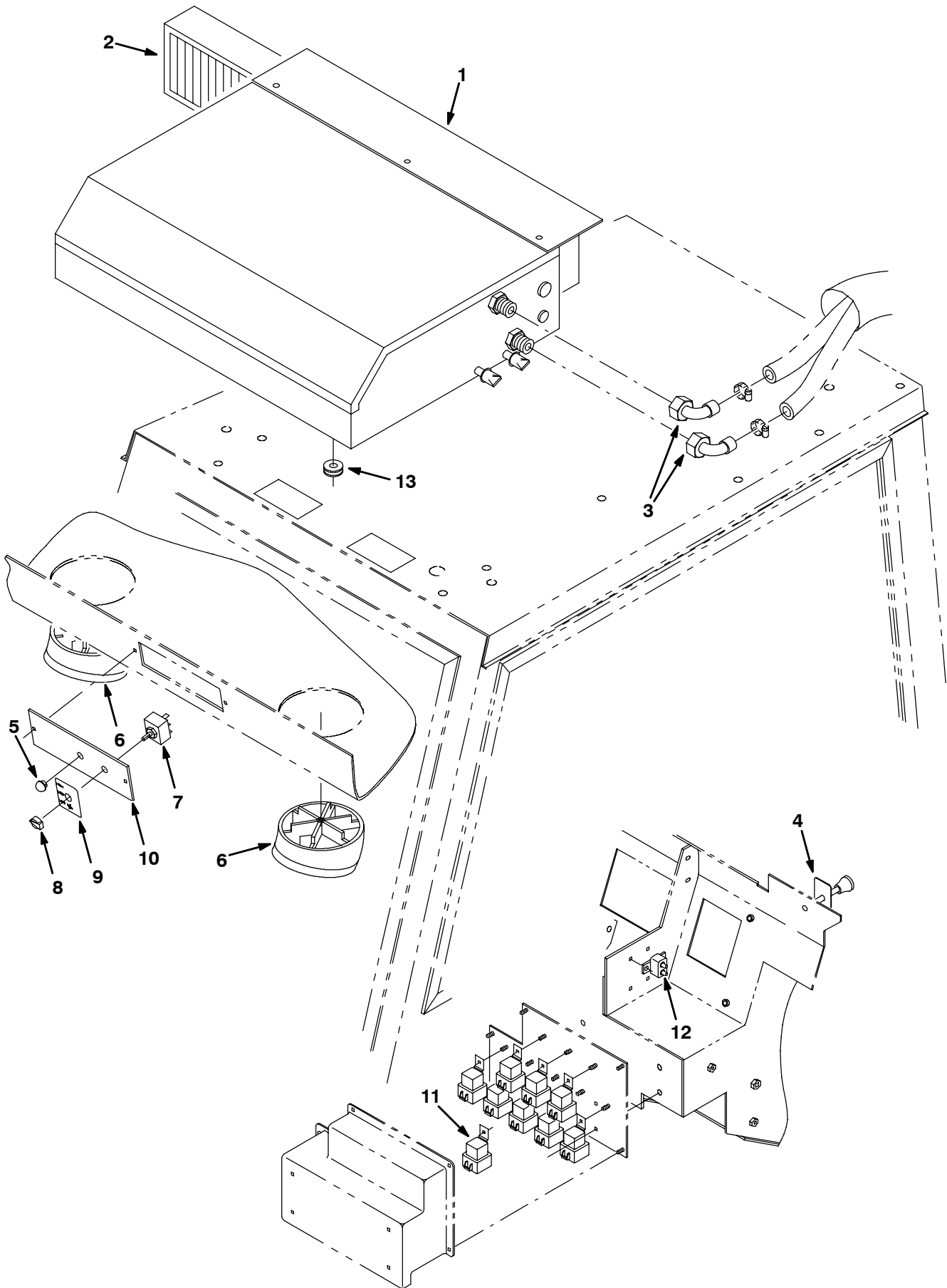


**Fig. 26 - Cab AC Compressor Group, GM (004500- )**

NOTE: AC/Heater kit, TENNANT Part Number 9002998 includes Fig. 23, Fig. 24, and .Fig. 26

Ref.	Part No.	Serial Number	Description	Qty.
1	1030582	(004500-	) Compressor, A/C [2007]	1
2	380544	(004500-	) Belt, V, 38.5l [Hc38]	1
3	1030762	(004500-	) Bracket, Guard, Alternator, Hd [800/810]	2
4	393201	(004500-	) Sheave, Aux, 1grv, 06.8od [Gm3.0l, Hc38]	1
5	39670	(004500-	) Screw, Hex, .38-24 X 1.50, G5	3
6	32492	(004500-	) Washer, Flat, 0.38, Std	7
7	1030657	(004500-005046	) Bracket Wldt, Mtg, A/C [800 07]	1
8	1030627	(004500-	) Alternator, Se [800/810, 07]	1
9	77555	(004500-	) Sheave, 01grv, 03.5pd 0.67b [3l]	1
10	371526	(004500-	) Sleeve, Alternator	1
11	78772	(004500-	) Belt, V, 45.1l [Hc38]	1
12	1030654	(004500-005046	) Bracket, Mtg, Alternator, Hd[800/810 07]	1
13	35756	(004500-	) Tube, 0.50id 1.00od 01.0l, Stl, Pntd	2
14	1030708	(004500-	) Arm, Adj, Alternator, Hd [800/810 07]	1
15	1032904	(004500-	) Shield, Heat, Alternator, Hd[800/810 07]	1
16	21237	(004500-	) Screw, Hex, M4 X 0.7 X 6, 8.8	1
17	32978	(004500-	) Washer, Lock, Int, #08	1
18	31525	(004500-	) Wire, 10ga 16.0l Blk .25ring /.38ring	1
19	50902	(004500-	) Nut, Hex, Lock, .38-16, NI	3
20	32485	(004500-	) Washer, Flat, 0.38, Sae	8
21	20177	(004500-	) Screw, Hex, .38-16 X 4.00, G5	1
22	27992	(004500-	) Screw, Hex, .38-16 X 2.50, G5	2
23	04375	(004500-	) Screw, Hex, M8 X 1.25 X 40, 8.8, FI	2
24	41186	(004500-	) Washer, Flat, Belleville, .31	2
25	32491	(004500-	) Washer, Flat, 0.31, Std	2
26	08709	(004500-	) Nut, Hex, Lock, M8 X 1.25, NI	2
27	06966	(004500-	) Screw, Hex, M10 X 1.5 X 110, 8.8	1
28	21198	(004500-	) Screw, Hex, .38-16 X 1.25, G5	2
29	32715	(004500-	) Nut, Hex, Lock, M10 X 1.5, Ss	1
30	1051245	(005047-	) Bracket, Mtg, Alternator, Hd[800/810 07]	1
31	1050610	(005047-	) Bracket Wldt, Mtg, A/C [800 07]	1
32	1050584	(005047-	) Arm, Tens [2008]	1
33	39283	(005047-	) Screw, Hex, M10 X 1.50 X 25, 8.8	2
34	32485	(005047-	) Washer, Flat, 0.38, Sae	2
35	41430	(005047-	) Nut, Hex, Lock, M10 X 1.5, NI	1

Fig. 27 - Cab Heater Box Group, Ford

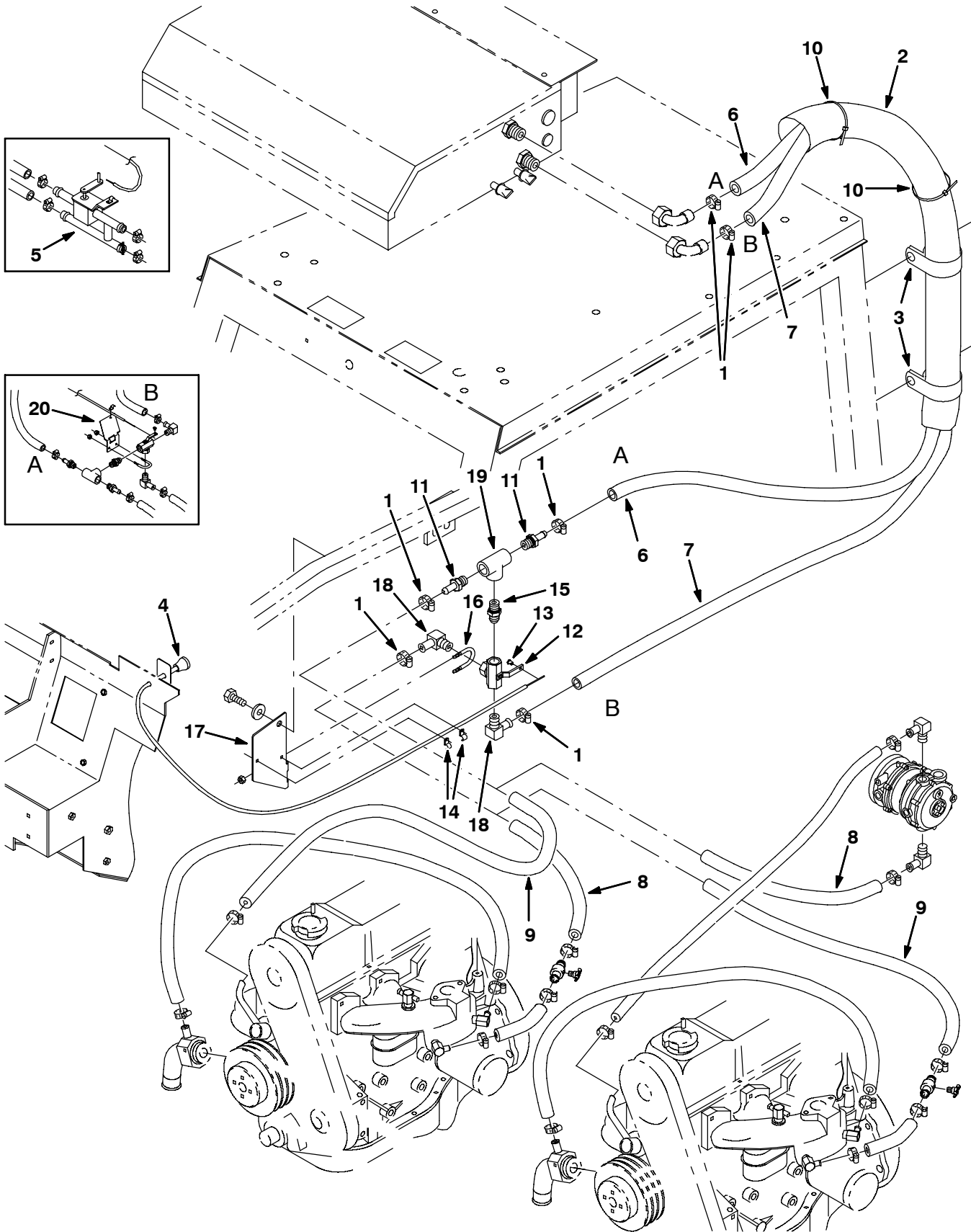


**Fig. 27 - Cab Heater Box Group, Ford**

*NOTE: Heater kit, TENNANT Part Number 380610 includes Fig. 27, and Fig. 28.*

	<b>Ref.</b>	<b>Part No.</b>	<b>Serial Number</b>	<b>Description</b>	<b>Qty.</b>
▽		380612	(003000-003178 )	Heater & A/C, W/ Fan, Roof	1
▲	1	380614	(003000-003178 )	Box Assy, Heater, A/C (See Breakdowns)	1
▲	2	380689	(003000-003178 )	Filter, Panel, Heat-A/C	1
▲	3	380615	(003000-003178 )	Fitting, Elbow	2
▲	4	380663	(003000-003178 )	Label, Opertnl, Pull Heat	1
▲	5	56992	(003000-003178 )	Button, Plug, 0.50h .03-.12 [Black Ny]	1
▲	6	380617	(003000-003178 )	Louver, Adj, Heat-A/C	2
▲	7	380619	(003000-003178 )	Switch, 3 Pos, Blower, Heat	1
▲	8	380661	(003000-003178 )	Knob, Rnd, Control, Heat-A/C	1
▲	9	380662	(003000-003178 )	Label, Opertnl, Fan, Hi/Med/Low	1
▲	10	380690	(003000-003178 )	Plate, Mtg, Switch, A/C	1
	11	56186	(003000-003178 )	Relay, 12vdc, 40a, Spdt N/O	1
	12	374210	(003000-003178 )	Circuitbreaker, 20.0a, Thermal	1
	13	77811	(003000-003178 )	Grommet, Cab, Harness, Wire	1

Fig. 28 - Cab Heater Hose Group, Ford



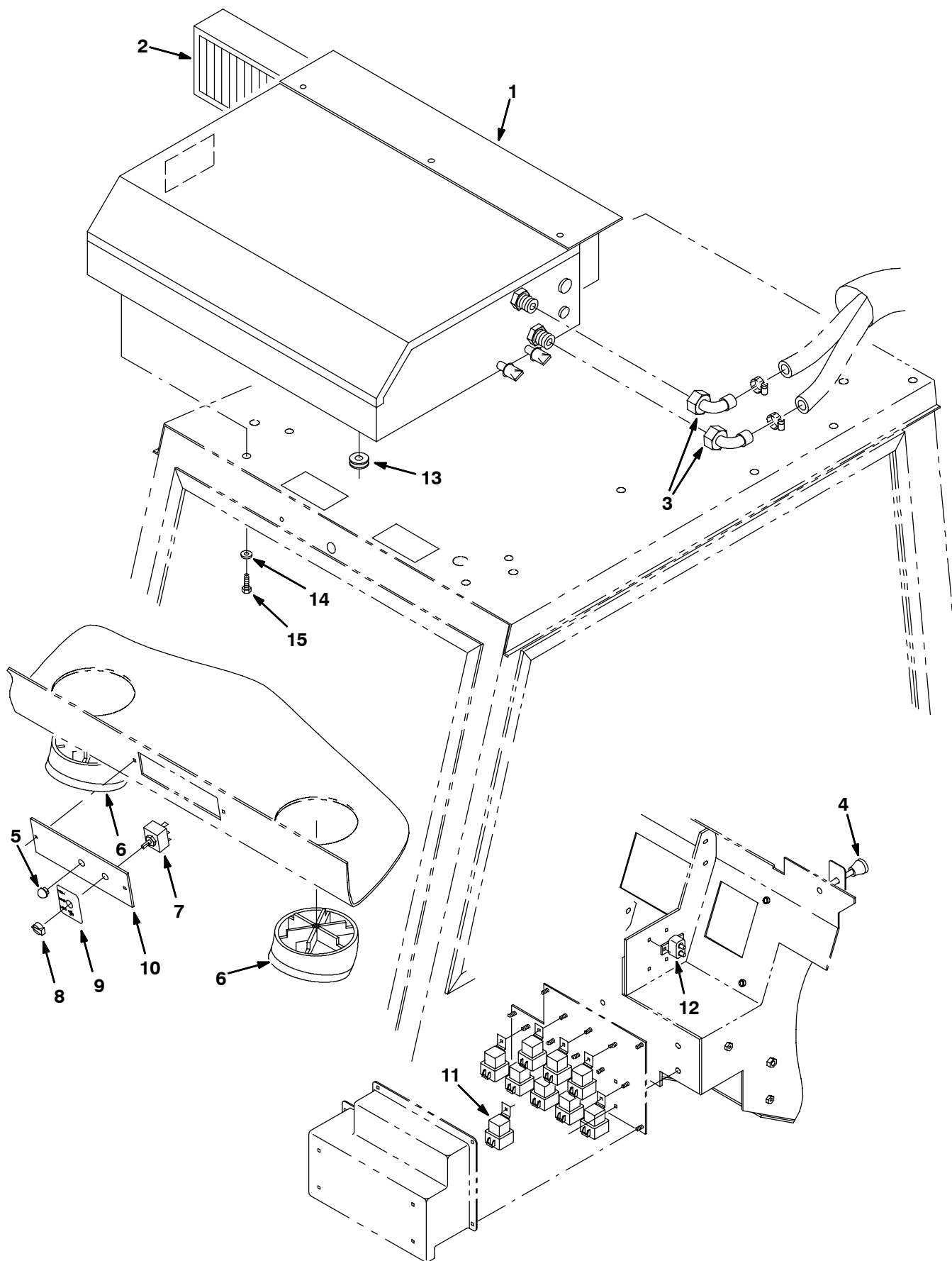


**Fig. 28 - Cab Heater Hose Group, Ford**

NOTE: Heater kit, TENNANT Part Number 380610 includes Fig. 27, and Fig. 28.

Ref.	Part No.	Serial Number	Description	Qty.
1	63810	(003000-003178 )	Clamp, Hose, Wormdrive, 0.56-1.06d	6
2	375512	(003000-003178 )	Sleeve, Nyl, #33 65.0l	1
3	41016	(003000-003178 )	Clamp, Cable, Stl, 2.25d X 1.00w, 1h	1
4	43558A	(003000-003178 )	Cable, Cntrl, Choke, 85/90l 1.4d Knob	1
5	380618	(003000-003076 )	Valve, Water, Heater, H, 10bm	1
6	380621	(003000-003178 )	Hose, Heater, 0.62id 80.0l	1
7	380620	(003000-003178 )	Hose, Heater, 0.62id 77.0l	1
8	72979	(003000-003121 )	Hose, Heater, 0.62id 20.0l	1
8	61870	(003122-003178 )	Hose, Heater, 0.62id 31.0l	1
9	72978	(003000-003121 )	Hose, Heater, 0.62id 13.0l	1
9	61869	(003122-003178 )	Hose, Heater, 0.62id 24.0l	1
10	763116	(003000-003178 )	Tie, Cable, Nyl, 15.3l . W 4.5 Max D	3
▽	375728	(003077-003178 )	Valve Assy, Ball, 3 Way, Em10/Em10/Em10	1
▲	11 59901	(003077-003178 )	Fitting, Brs, Str, Em10/Pm08	2
▲	12 31507	(003077-003178 )	Valve, Ball, 3-way, 08pf/08pf/08pf Brs	1
▲	13 43242	(003077-003178 )	Swivel	1
▲	14 1043352	(003077-003178 )	Clamp, Cable, Stl, 0.18d X 0.75w, 1hole	2
▲	15 40573	(003077-003178 )	Fitting, Hyd, Str, Pm08/Pm08	1
▲	16 45142	(003077-003178 )	Bolt, U, .25-20 X 2.00, 1.10id	1
▲	17 374129	(003122-003178 )	Bracket, Mtg, Valve, Cntrl, Heater	1
▲	18 30268	(003077-003178 )	Fitting, Brs, E90, Em10/Pm08	2
▲	19 24450	(003077-003178 )	Fitting, Brs, Tee, Pf08/Pf08/Pf08	1
	20 375726	(003077-003121 )	Bracket, Mtg, Valve,Control, Heater	1

Fig. 29 - Cab Heater Box Group, GM

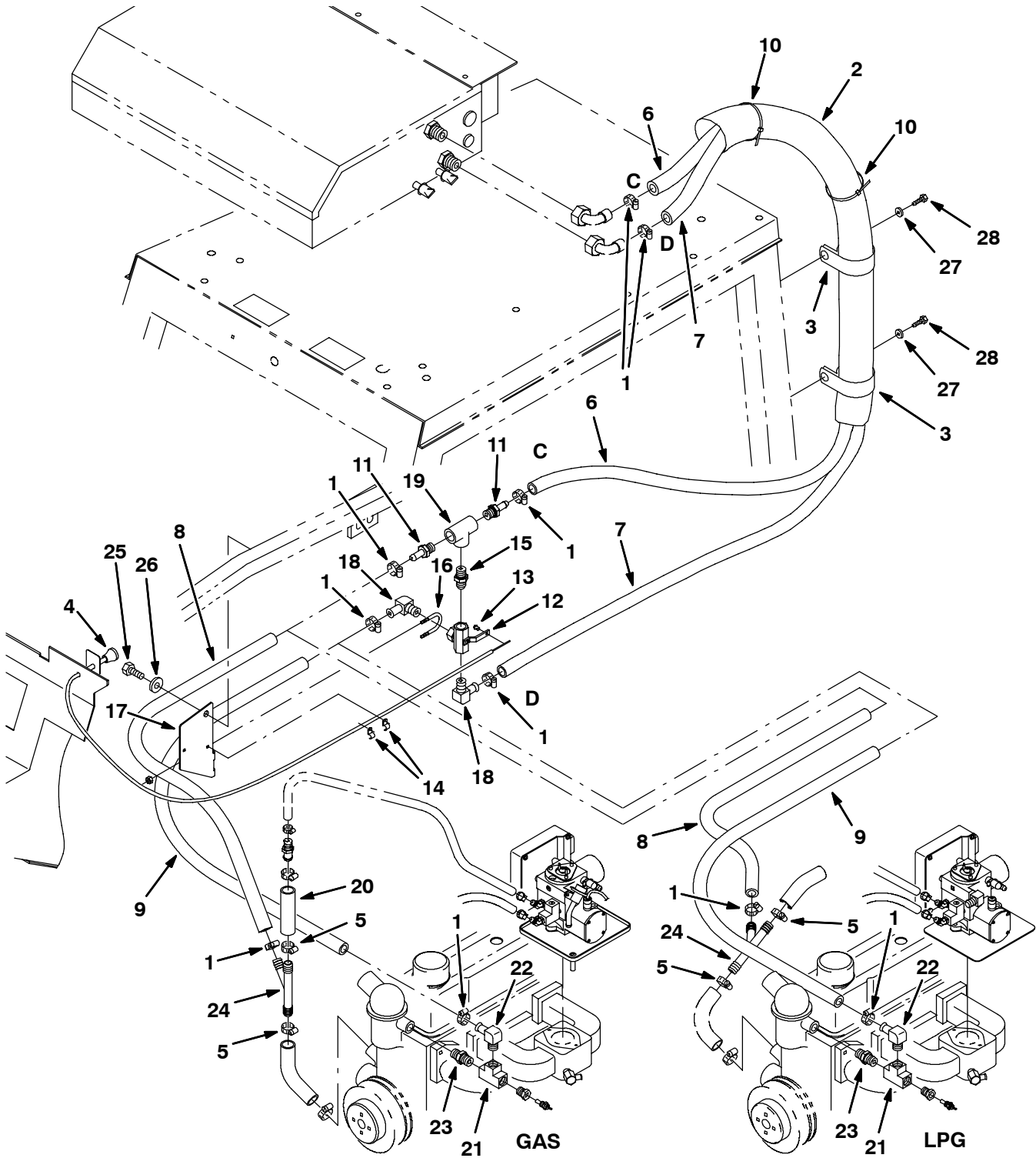


**Fig. 29 - Cab Heater Box Group, GM**

*NOTE: Heater kit, TENNANT Part Number 374285 includes Fig. 29, and Fig. 30.*

	<b>Ref.</b>	<b>Part No.</b>	<b>Serial Number</b>	<b>Description</b>	<b>Qty.</b>
▽		380612	(003179-	) Heater & A/C, W/ Fan, Roof	1
▲	1	380614	(003179-	) Box Assy, Heater, A/C (See Breakdowns)	1
▲	2	380689	(003179-	) Filter, Panel, Heat-A/C	1
▲	3	380615	(003179-	) Fitting, Elbow	2
▲	4	380663	(003179-	) Label, Opertnl, Pull Heat	1
▲	5	56992	(003179-	) Button, Plug, 0.50h .03-.12 [Black Ny]	1
▲	6	380617	(003179-	) Louver, Adj, Heat-A/C	2
▲	7	380619	(003179-	) Switch, 3 Pos, Blower, Heat	1
▲	8	380661	(003179-	) Knob, Rnd, Control, Heat-A/C	1
▲	9	380662	(003179-	) Label, Opertnl, Fan, Hi/Med/Low	1
▲	10	380690	(003179-	) Plate, Mtg, Switch, A/C	1
	11	56186	(003179-	) Relay, 12vdc, 40a, Spdt N/O	1
	12	374210	(003179-	) Circuitbreaker, 20.0a, Thermal	1
	13	77811	(003179-	) Grommet, Cab, Harness, Wire	1
	14	32490	(003179-	) Washer, Flat, 0.25 Std	12
	15	12459	(003179-	) Screw, Hex, M6 X 1.0 X 20, Fmg	12

**Fig. 30 - Cab Heater Hose Group, GM**

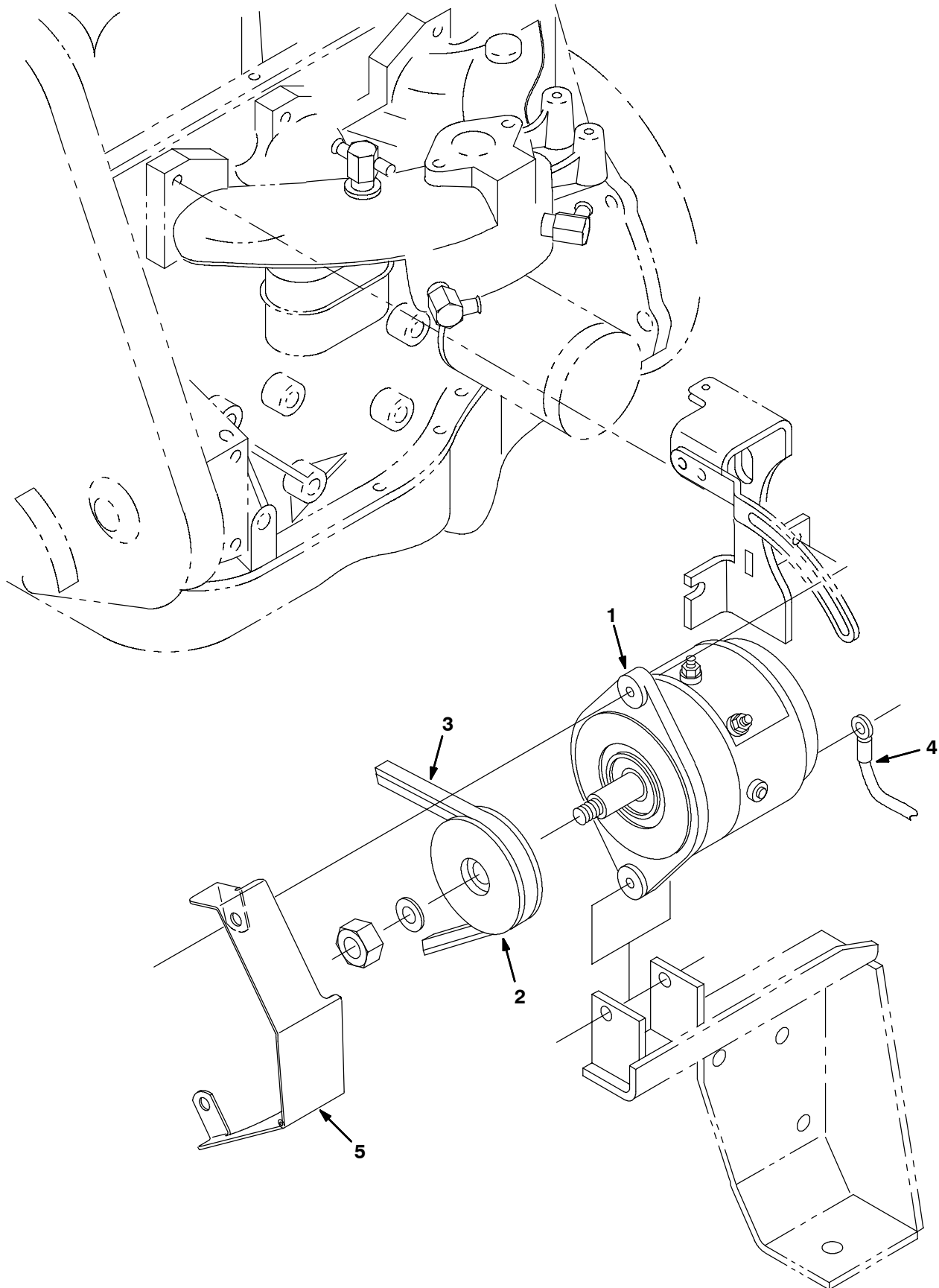


**Fig. 30 - Cab Heater Hose Group, GM**

NOTE: Heater kit, TENNANT Part Number 374285 includes Fig. 29, and Fig. 30.

Ref.	Part No.	Serial Number	Description	Qty.
1	63810	(003179-	) Clamp, Hose, Wormdrive, 0.56-1.06d	8
2	375512	(003179-	) Sleeve, Nyl, #33 65.0l	1
3	41016	(003179-	) Clamp, Cable, Stl, 2.25d X 1.00w, 1h	1
4	43558A	(003179-	) Cable, Cntrl, Choke, 85/90l 1.4d Knob	1
5	11399	(003179-	) Clamp, Hose, Wormdrive, 0.81-1.50d	2
6	1016561	(003179-	) Hose, Afrmkt, Rbr, Heater, 0.62id, 08ft	2
7	12459	(003179-	) Screw, Hex, M6 X 1.0 X 20, Fmg	2
8	1016556	(003179-	) Hose, Afrmkt, Rbr, Heater, 0.62id, 03ft	1
9	1016560	(003179-	) Hose, Afrmkt, Rbr, Heater, 0.62id, 02ft	1
10	763116	(003179-	) Tie, Cable, Nyl, 15.3l . W 4.5 Max D	3
▽	375728	(003179-	) Valve Assy, Ball, 3 Way, Em10/Em10/Em10	1
▲	11 59901	(003179-	) Fitting, Brs, Str, Em10/Pm08	2
▲	12 31507	(003179-	) Valve, Ball, 3-way, 08pf/08pf/08pf Brs	1
▲	13 43242	(003179-	) Swivel	1
▲	14 1043352	(003179-	) Clamp, Cable, Stl, 0.18d X 0.75w, 1hole	2
▲	15 40573	(003179-	) Fitting, Hyd, Str, Pm08/Pm08	1
▲	16 45142	(003179-	) Bolt, U, .25-20 X 2.00, 1.10id	1
▲	17 374129	(003179-	) Bracket, Mtg, Valve, Cntrl, Heater	1
▲	18 30268	(003179-	) Fitting, Brs, E90, Em10/Pm08	2
▲	19 24450	(003179-	) Fitting, Brs, Tee, Pf08/Pf08/Pf08	1
20	75197	(003179-	) Hose, Heater, 0.75id 04.0l	1
21	24450	(003179-	) Fitting, Brass, Tee	1
22	30268	(003179-	) Fitting, Brs, E90, Em10/Pm08	1
23	40573	(003179-	) Fitting, Hyd, Str, Pm08/Pm08	1
24	393255	(003179-	) Fitting, Plstc, Tee, Bm12/Bm12/Bm12	1
25	16930	(003179-	) Screw, Hex, M10 X 1.5 X 50, 8.8	1
26	32492	(003179-	) Washer, Flat, 0.38 Std	1
27	32490	(003179-	) Washer, Flat, 0.25 Std	2

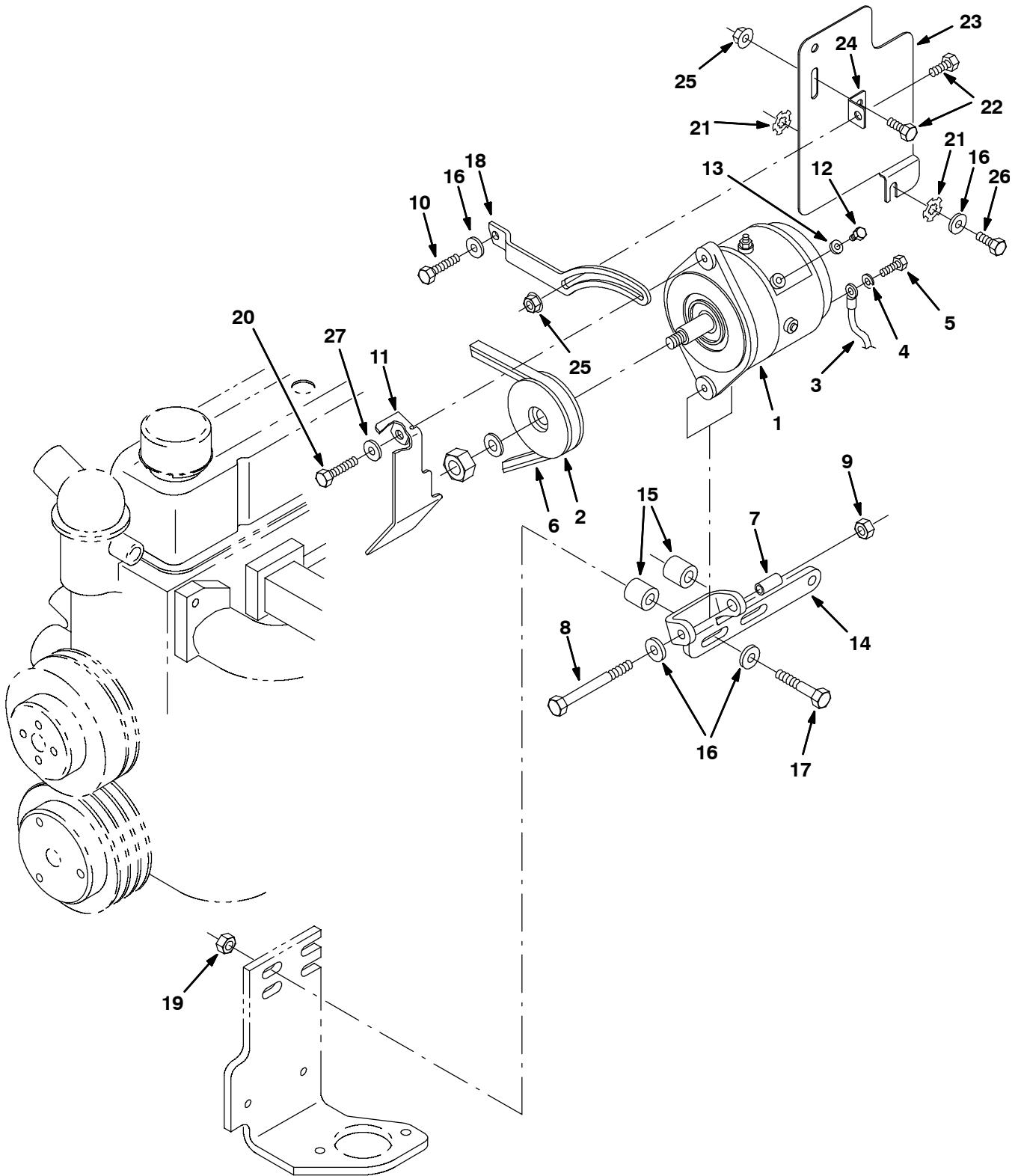
Fig. 31 - Alternator Group, SE, Ford



**Fig. 31 - Alternator Group, SE, Ford**

	<b>Ref.</b>	<b>Part No.</b>	<b>Serial Number</b>	<b>Description</b>	<b>Qty.</b>
▽		380702	(003000-003178 )	Kit, Alternator, Hd, Gas/Lpg	1
▲	1	75828	(003000-003178 )	Alternator	1
▲	2	77555	(003000-003178 )	Sheave, Alternator, Se	1
▲	3	83641	(003000-003178 )	Belt, V	1
▲	4	31525	(003000-003178 )	Wire, Ground	1
▲	5	21223	(003000-003178 )	Guard, Alternator	1

Fig. 32 - Heavy Duty Alternator Kit, GM (003179-004499)

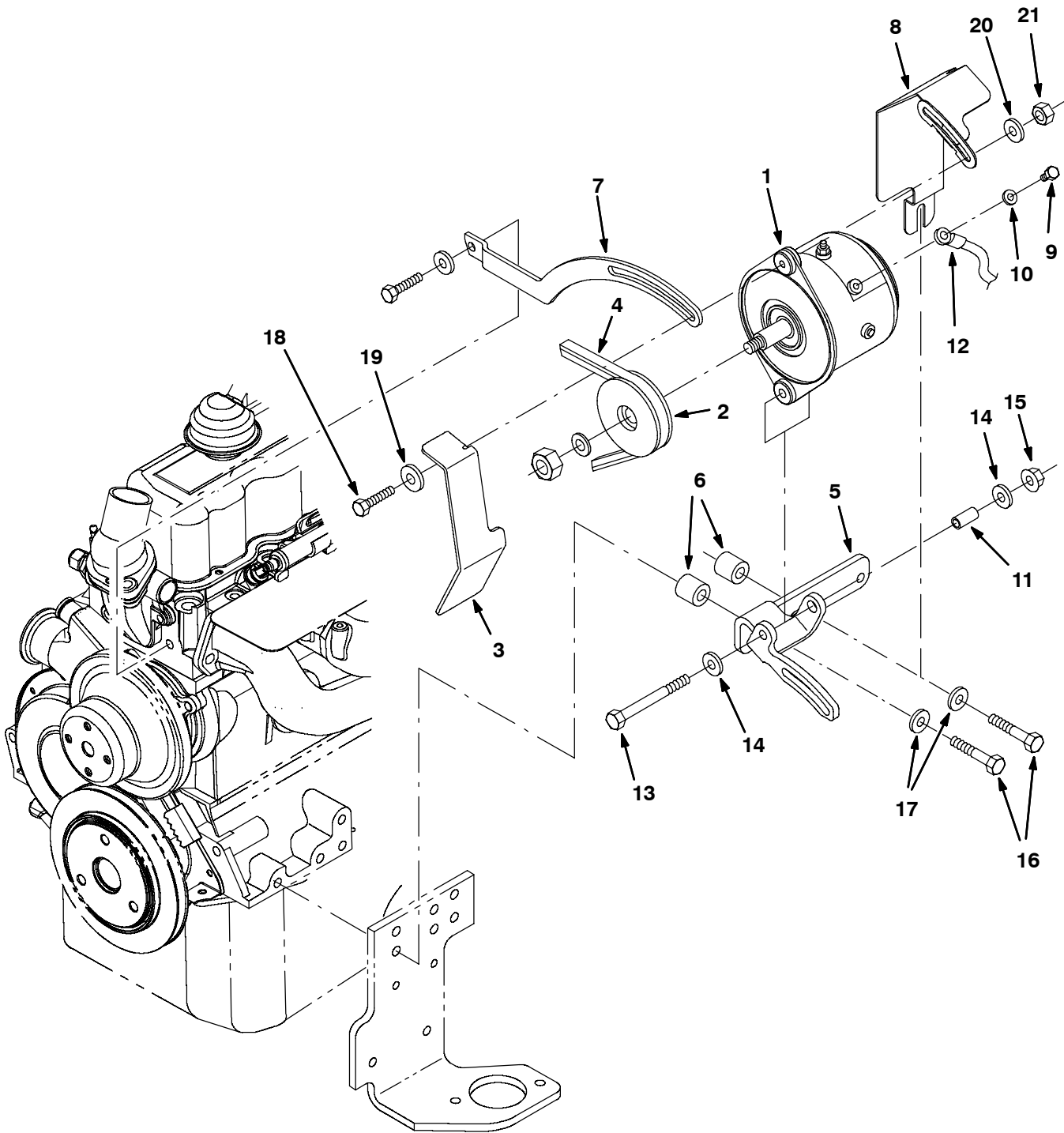




**Fig. 32 - Heavy Duty Alternator Kit, GM (003179-004499)**

	<b>Ref.</b>	<b>Part No.</b>	<b>Serial Number</b>	<b>Description</b>	<b>Qty.</b>
▽		393241	(003179-004499 )	Kit, Ci, Alternator, Hd,Gas/Lpg,[Gm3.0l]	1
▲	1	75828	(003179-004499 )	Alternator, 12vdc, 100A [Brushless]	1
▲	2	77555	(003179-004499 )	Sheave, [3L], 1Grv, 03.5Pd 0.67B	1
▲	3	31525	(003179-004499 )	Wire, 10ga 16.0l Blk .38ring /.25ring	1
▲	4	371509	(003179-004499 )	Washer, Lock, .38	1
▲	5	39277	(003179-004499 )	Screw, Hex, M8 X 1.25 X 25, 8.8	1
▲	6	393244	(003179-004499 )	Belt, V, [Hc41] 42.0l	1
▲	7	371526	(003179-004499 )	Sleeve, Alternator	1
▲	8	34877	(003179-004499 )	Screw, Hex, M10 X 1.5 X 100, 8.8	1
▲	9	07792	(003179-004499 )	Nut, Hex, Flng, M10 X 1.5	1
▲	10	41186	(003179-004499 )	Washer, Belleville, .31	1
▲	11	1008538	(003179-004499 )	Bracket, Guard, Alternator, Hd [Gm3.0l]	1
▲	12	21237	(003179-004499 )	Screw, Hex, M4 X 0.7 X 6, 8.8	1
▲	13	32978	(003179-004499 )	Washer, Lock, Int, #08	1
▲	14	1008094	(003179-004499 )	Bracket, Mtg, Alternator, Lower,[Gm3.0l]	1
▲	15	07274	(003179-004499 )	Tube, 01.00d 00.44b 00.7l Stl Pit	2
▲	16	32492	(003179-004499 )	Washer, Flat, 0.38 Std	2
▲	17	27990	(003179-004499 )	Screw, Hex, .38-16 X 2.25, 5	2
▲	18	1008519	(003179-004499 )	Arm, Alternator, Hd [Gm3.0l]	1
▲	19	50902	(003179-004499 )	Nut, Hex, Lock, .38-16, NI	2
▲	20	04375	(003179-004499 )	Screw, Hex, M 8 X 1.25 X 40, FI	1
▲	21	32491	(003179-004499 )	Washer, Flat, 0.31 Std	2
▲	22	16931	(003179-004499 )	Screw, Hex, M8 X 1.25 X 20, 8.8	2
▲	23	1019513	(003179-004499 )	Plate, Shield, Heat	1
▲	24	1008513	(003179-004499 )	Angle, Heat, Shield	1
▲	25	39311	(003179-004499 )	Nut, Hex, Std, M08 X 1.25	2
▲	27	41186	(003179-004499 )	Washer, Belleville, .31	1

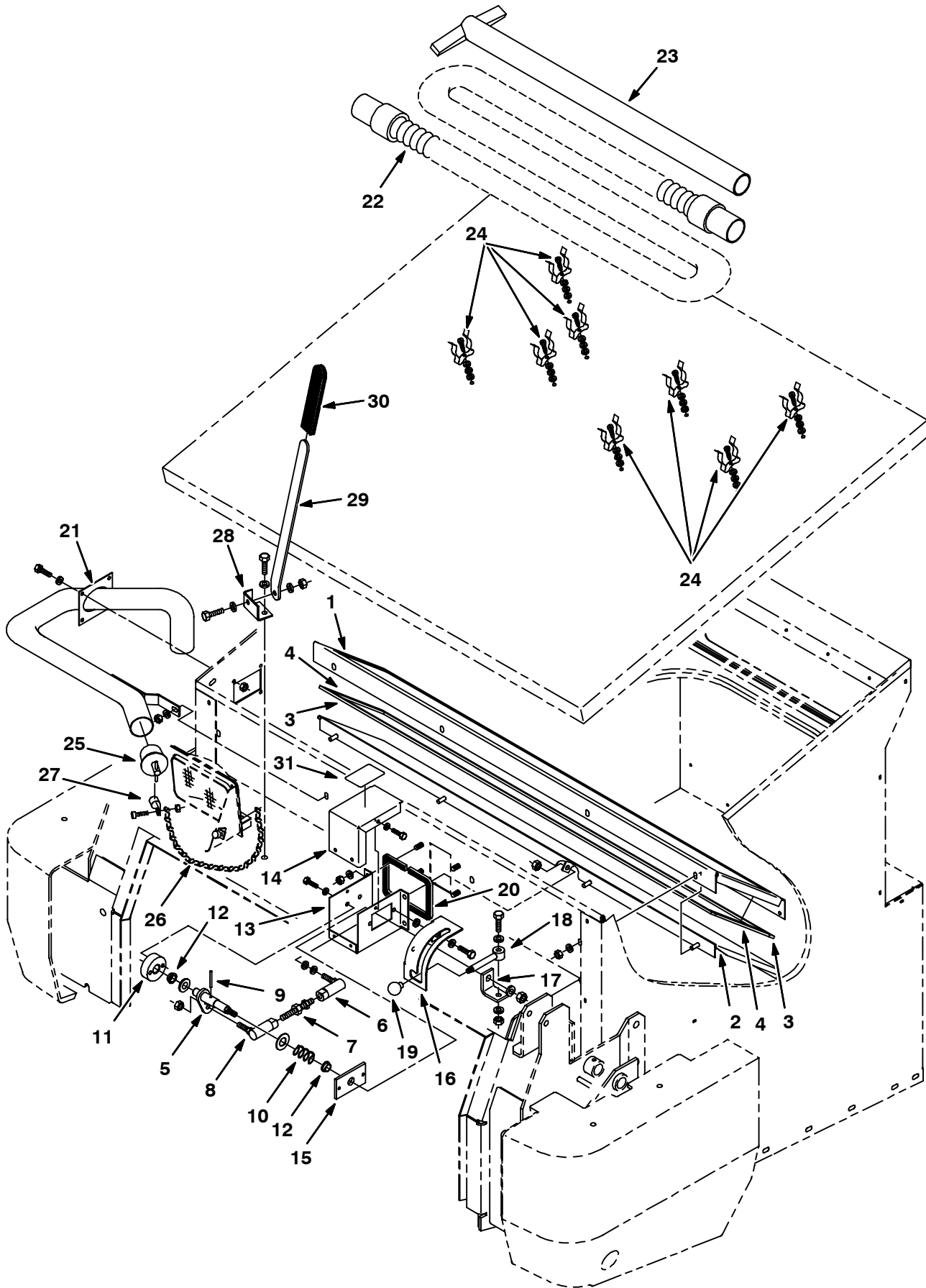
Fig. 33 - Heavy Duty Alternator Kit, GM (004500- )



**Fig. 33 - Heavy Duty Alternator Kit, GM (004500- )**

	<b>Ref.</b>	<b>Part No.</b>	<b>Serial Number</b>	<b>Description</b>	<b>Qty.</b>
▽		9002915	(004500-	) Alternator Kit, Hd, Gas/Lpg, Ci[800/810]	1
▲	1	1030627	(004500-	) Alternator, Se [800/810, 07]	1
▲	2	77555	(004500-	) Sheave, 01grv, 03.5pd 0.67b [3]	1
▲	3	1030762	(004500-	) Bracket, Guard, Alternator, Hd [800/810]	1
▲	4	78772	(004500-	) Belt, V, 45.1l [Hc38]	1
▲	5	1030654	(004500-	) Bracket, Mtg, Alternator, Hd[800/810 07]	1
▲	6	35756	(004500-	) Tube, 0.50id 1.00od 01.0l, Stl, Pntd	2
▲	7	1030708	(004500-	) Arm, Adj, Alternator, Hd [800/810 07]	1
▲	8	1032904	(004500-	) Shield, Heat, Alternator, Hd[800/810 07]	1
▲	9	21237	(004500-	) Screw, Hex, M4 X 0.7 X 6, 8.8	1
▲	10	32978	(004500-	) Washer, Lock, Int, #08	1
▲	11	371526	(004500-	) Sleeve, Alternator	1
▲	12	31525	(004500-	) Wire, 10ga 16.0l Blk .25ring /.38ring	1
▲	13	20177	(004500-	) Screw, Hex, .38-16 X 4.00, G5	1
▲	14	32495	(004500-	) Washer, Flat, 0.75, Std	2
▲	15	50902	(004500-	) Nut, Hex, Lock, .38-16, NI	1
▲	16	27992	(004500-	) Screw, Hex, .38-16 X 2.50, G5	2
▲	17	32485	(004500-	) Washer, Flat, 0.38, Sae	2
▲	18	04375	(004500-	) Screw, Hex, M8 X 1.25 X 40, 8.8, FI	1
▲	19	41186	(004500-	) Washer, Flat, Belleville, .31	1
▲	20	32491	(004500-	) Washer, Flat, 0.31, Std	1
▲	21	08709	(004500-	) Nut, Hex, Lock, M8 X 1.25, NI	1

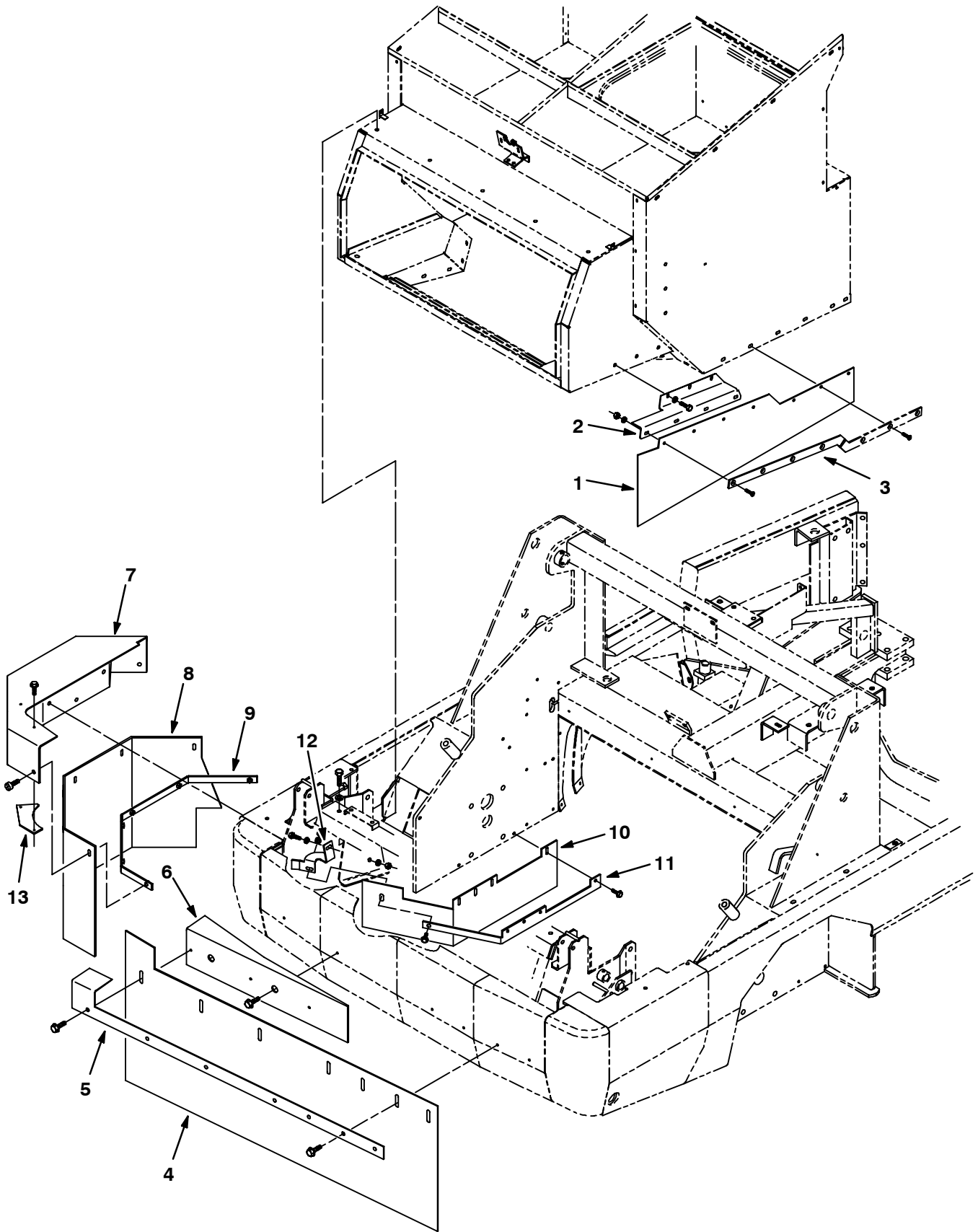
Fig. 34 - Vacuum Wand Kit



**Fig. 34 - Vacuum Wand Kit**

	<b>Ref.</b>	<b>Part No.</b>	<b>Serial Number</b>	<b>Description</b>	<b>Qty.</b>
▽		70668	(003000-	) Wand Kit, Vac	1
▲	1	73871	(003000-	) Plate, Mounting, Vac Door	1
▲	2	75701	(003000-	) Plate Wldt, Vac Door	1
▲	3	75876	(003000-	) Seal, Foam Rbr, .19 .75W 47.1L	2
▲	4	75877	(003000-	) Seal, Foam Rbr .19 .75W 8.43L	2
▲	5	21047	(003000-	) Shaft	1
▲	6	82962	(003000-	) Balljoint .375-24 Lh	1
▲	7	11676	(003000-	) Stud, Adjustment	1
▲	8	51531	(003000-	) Ball Joint .375-24	1
▲	9	23146	(003000-	) Pin,Roll,.18Odx1.62L,.187/.192	1
▲	10	19035	(003000-	) Sprng,Comp,0.83ldx.07Wire 1.0L	1
▲	11	21041	(003000-	) Disk	1
▲	12	04843	(003000-	) Bearing, Flange .625 Bore	2
▲	13	21054	(003000-	) Box, Mounting, Lever, Vac	1
▲	14	21104	(003000-	) Panel, Cover	1
▲	15	73880	(003000-	) Plate	1
▲	16	79646	(003000-	) Plate, Latch	1
▲	17	79647	(003000-	) Angle	1
▲	18	79644	(003000-	) Handle	1
▲	19	26565	(003000-	) Knob,0.38-16,1.25Dia,Plastic	1
▲	20	79674	(003000-	) Seal	1
▲	21	74074	(003000-	) Adaptor Wldt, Vac Wand	1
▲	22	54009	(003000-	) Hose&2Cuff Assy,Vinyl2.0ld10Ft	1
▲	23	54012	(003000-	) Wand	1
▲	24	36158	(003000-	) Clip Finger Grip	8
▲	25	42124	(003000-	) Plug, Drain	1
▲	26	374012	(003000-	) Chain, Jack, #12, 08.5l 11 Links	1
▲	27	26395-2	(003000-	) Clamp-Cable, 0.38Dia 0.38Wth	1
▲	28	76286	(003000-	) Adaptor Wldt, Vac Wand	1
▲	29	76338	(003000-	) Bar, Prop	1
▲	30	70659	(003000-	) Grip, Handle, Flat	2
▲	31	76406	(003000-	) Label, Vac Wand	1

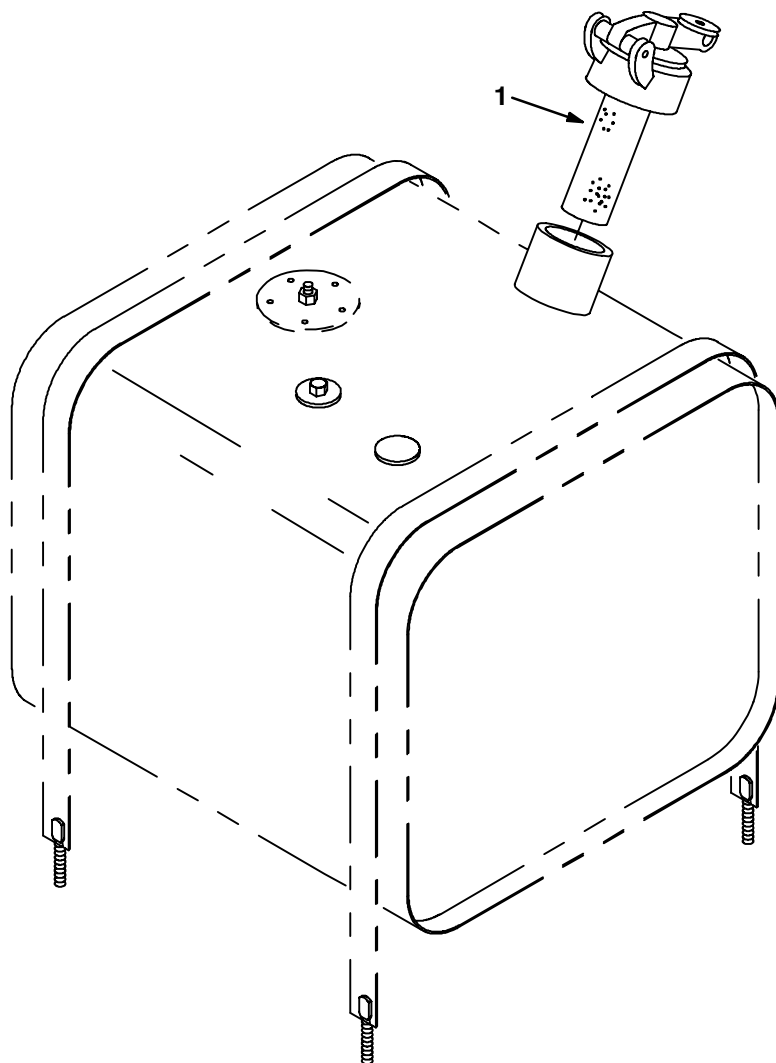
Fig. 35 - Side Brush Dust Control Kit



**Fig. 35 - Side Brush Dust Control Kit**

	<b>Ref.</b>	<b>Part No.</b>	<b>Serial Number</b>	<b>Description</b>	<b>Qty.</b>
▽		76100	(003000-	) Dust Control Kit, Side Brush	1
▲	1	76036	(003000-	) Skirt, Deflection	1
▲	2	76030	(003000-	) Bracket, Mounting, Skirt	1
▲	3	76038	(003000-	) Strip, Retainer, Skirt	1
▲	4	75901	(003000-	) Skirt, Cover, Sbdc	1
▲	5	76049	(003000-	) Skirt, Retainer	1
▲	6	77759	(003000-	) Bracket Wldt	1
▲	7	75989	(003000-	) Plate Wldt, Skirt	1
▲	8	76069	(003000-	) Skirt, Cover, Sbdc	1
▲	9	76055	(003000-	) Plate, Retainer	1
▲	10	76074	(003000-	) Skirt	1
▲	11	76081	(003000-	) Skirt	1
▲	12	76084	(003000-	) Bracket	1
▲	13	77755	(003000-	) Plate	1

**Fig. 36 - Protectoseal Fuel Tank Cap Group**

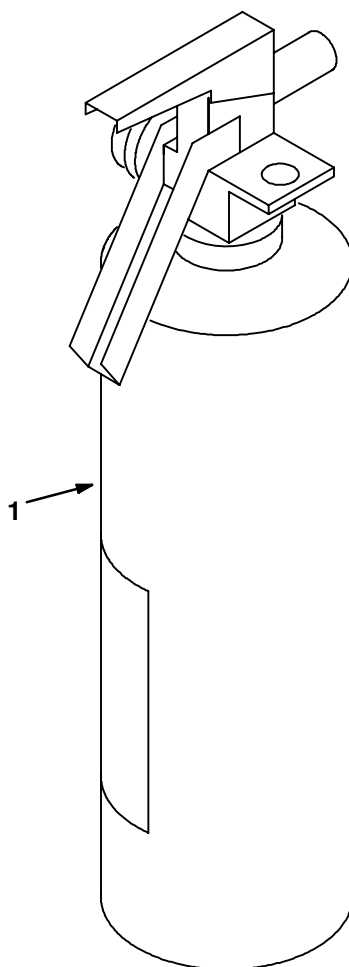


07471 - ALL

Ref.	Part No.	Serial Number	Description	Qty.
1	02506-6	(003000- )	Gas Cap, Protectoseal	1



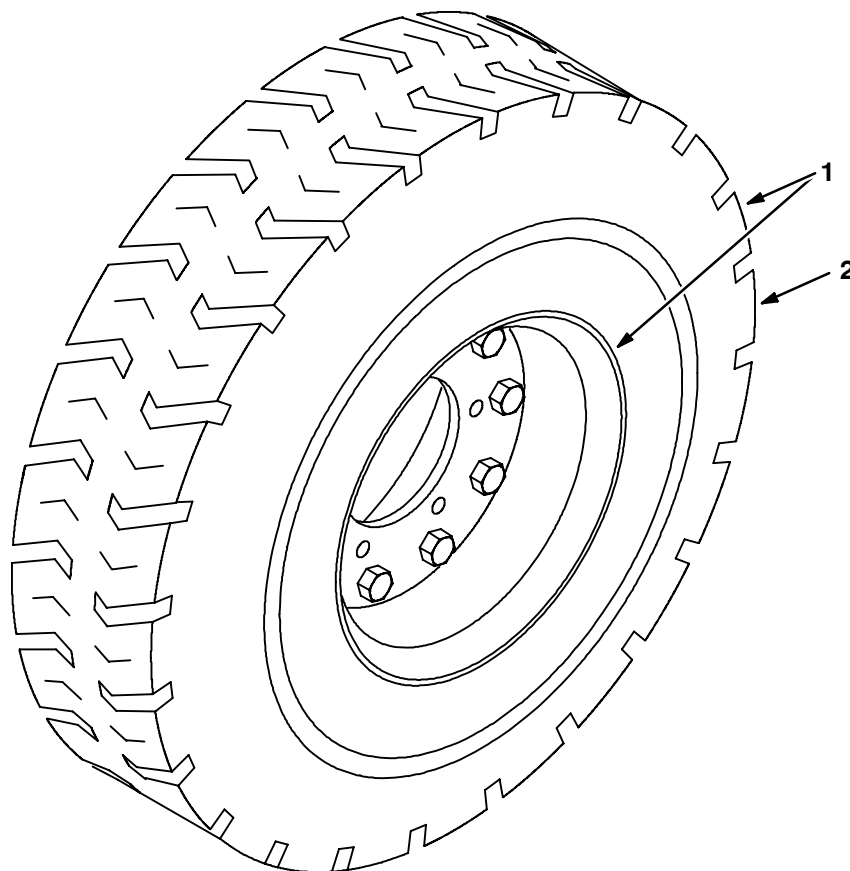
Fig. 37 - Fire Extinguisher Kit



07516 - JP, NA

	Ref.	Part No.	Serial Number	Description	Qty.
▽		70692	(003000-	) Extinguisher Kit Fire 800	1
▲	1	25312	(003000-	) Extinguisher, Fire	

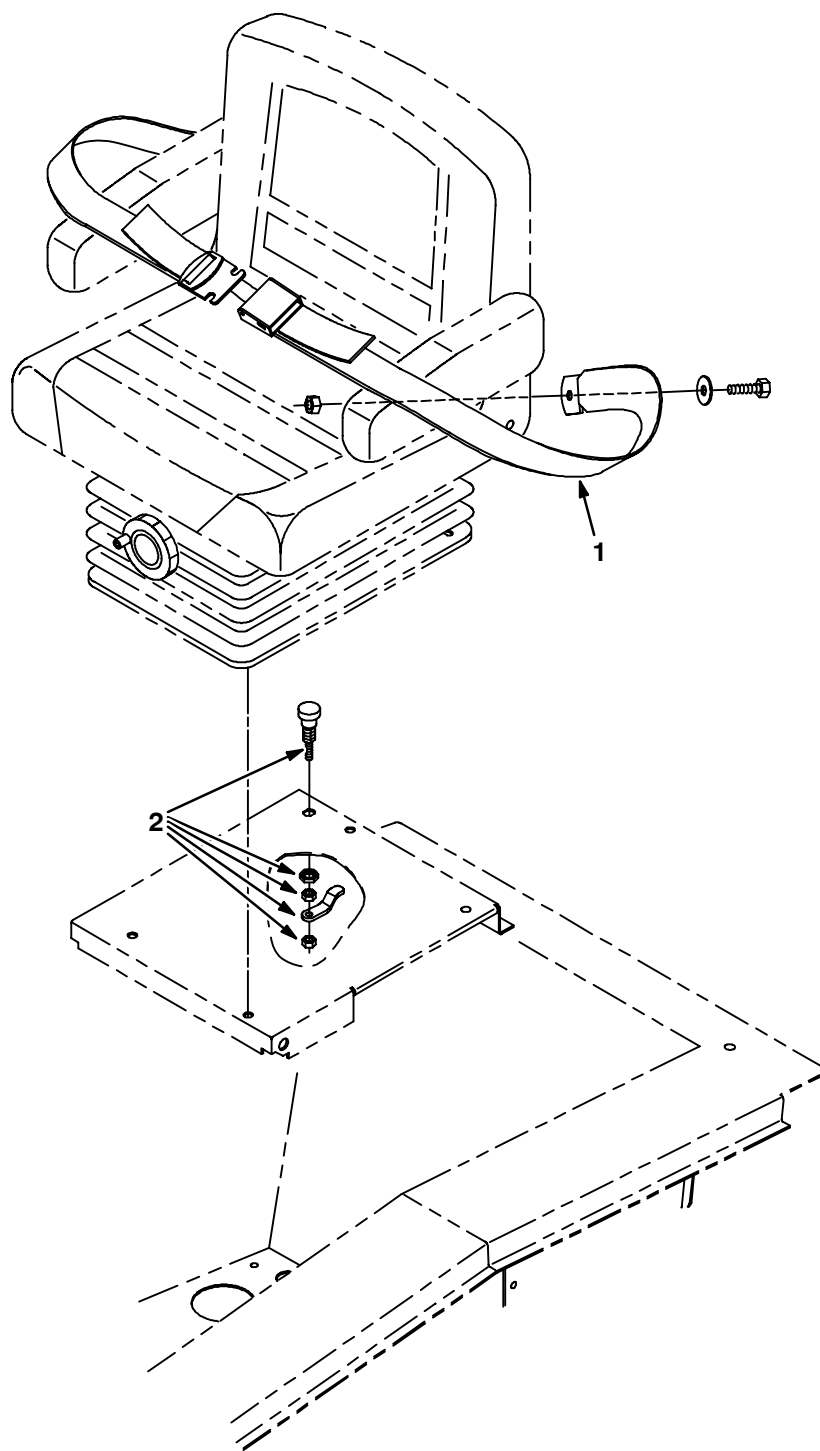
**Fig. 38 - Solid Tire and Rim Assembly**



07666 - ALL

	<b>Ref.</b>	<b>Part No.</b>	<b>Serial Number</b>	<b>Description</b>	<b>Qty.</b>
▽	1	21671	(003000-	) Tire and Rim Assy, Solid 6.5	1
▲	2	63228	(003000-	) Tire, Solid	1

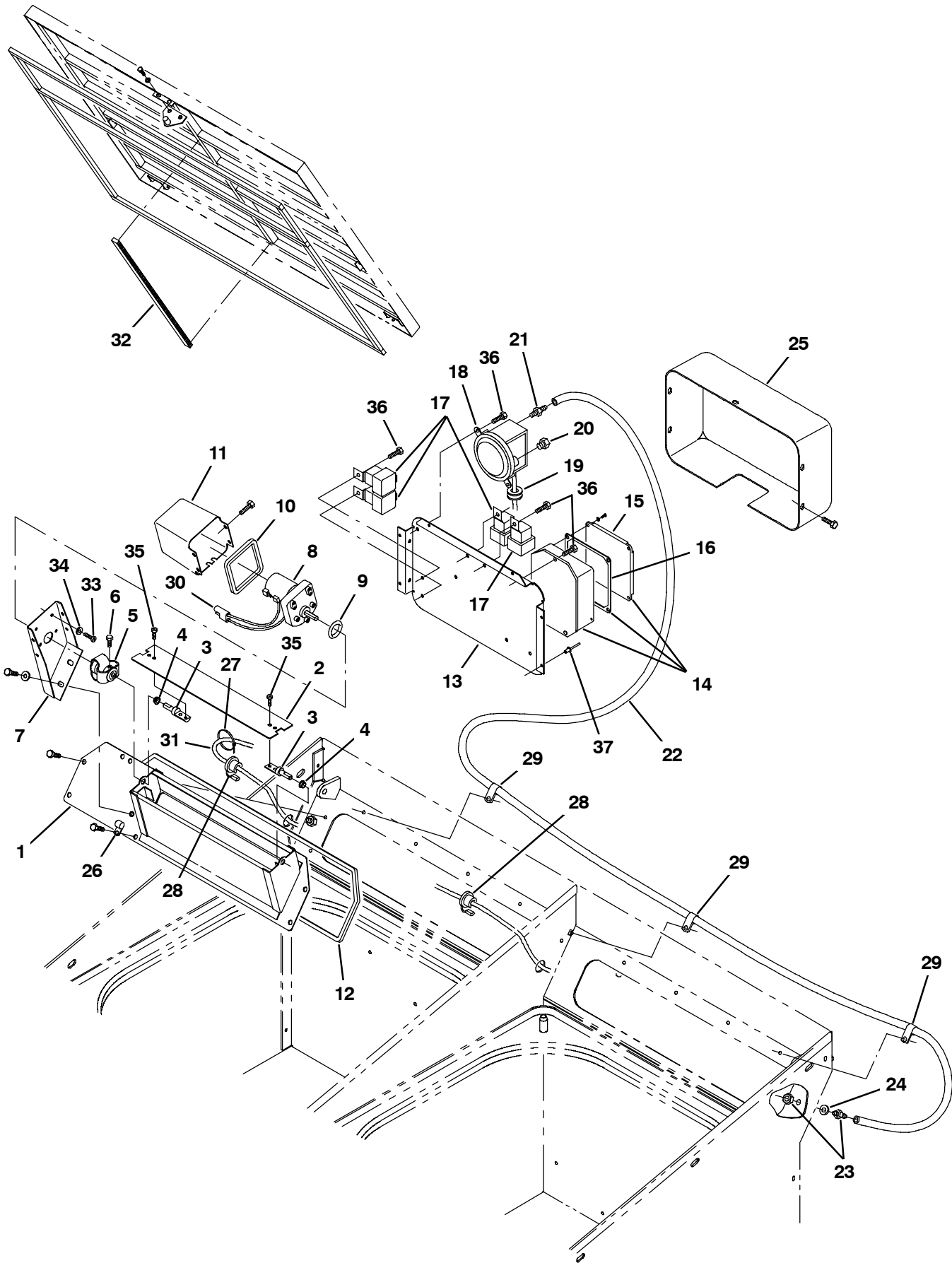
Fig. 39 - Seat Belt Kit



07674 - ALL

	Ref.	Part No.	Serial Number	Description	Qty.
▽		70690	(003000-	) Seat Belt Kit	1
▲	1	30533	(003000-	) Belt, Seat	1
▲	2	87337	(003000-	) Latch, Door	1

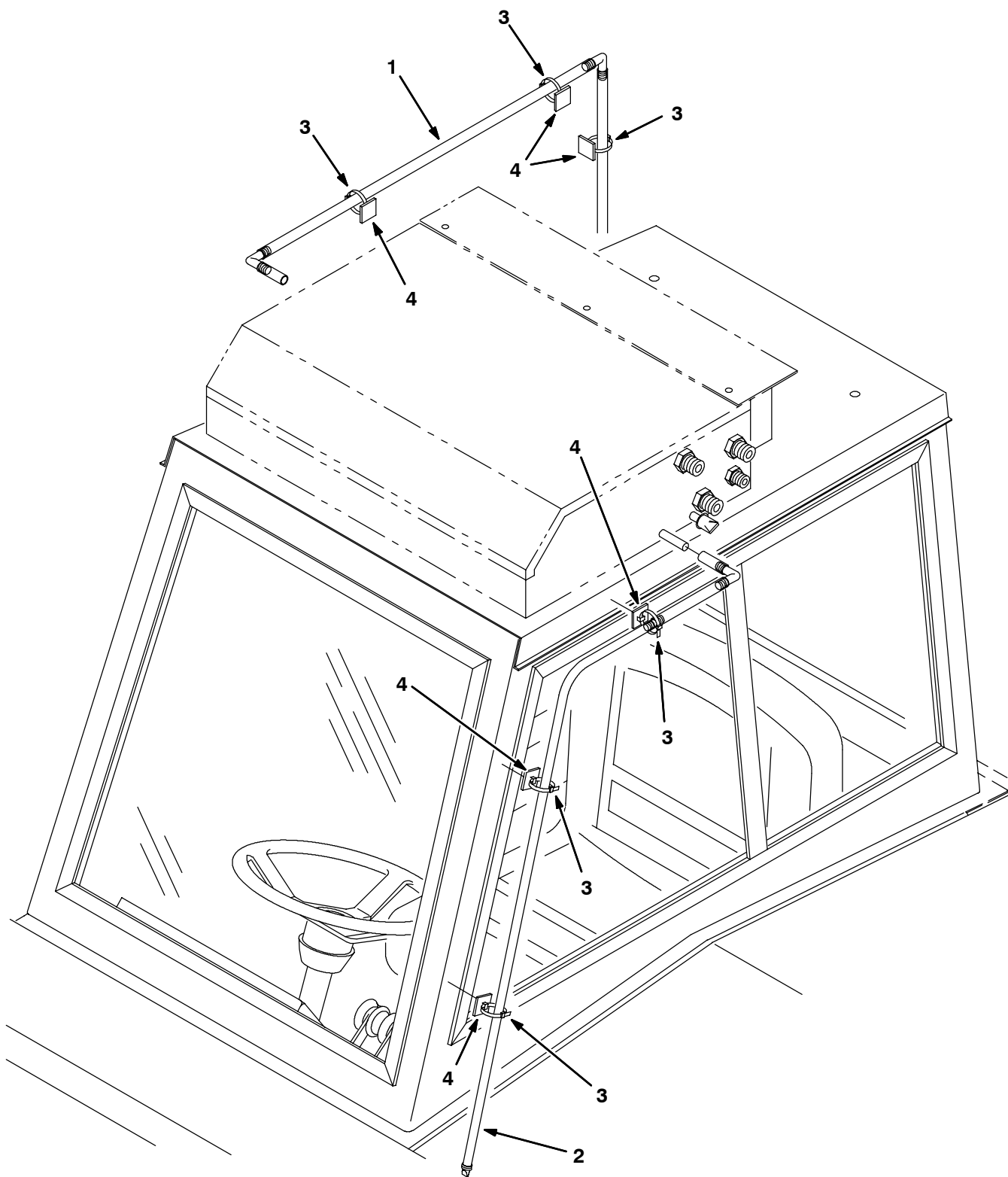
Fig. 40 - RFS Filter System Group



**Fig. 40 - RFS Filter System Group**

	<b>Ref.</b>	<b>Part No.</b>	<b>Serial Number</b>	<b>Description</b>	<b>Qty.</b>
▽		79174	(003000-	) Rfs Kit	1
▲	1	79160	(003000-	) Duct Wldt, Rfs	2
▲	2	79156	(003000-	) Plate, Shutter	2
▲	3	79159	(003000-	) Shaft, Pivot	4
▲	4	11747	(003000-	) Bearing, Nylon	4
▲	5	79158	(003000-	) Coupling	2
▲	6	42011	(003000-	) Screw, Hex, 10-24 X 0.50, Ss	4
▲	7	79157	(003000-	) Bracket, Mounting, Gearmotor	2
▲	8	79170	(003000-	) Motor, Ele, Geared, 12Vdc	2
▲	9	79172	(003000-	) Seal, O-Ring .787ldx.210Th	2
▲	10	79167	(003000-	) Seal	2
▲	11	79155	(003000-	) Cover, Motor	2
▲	12	79168	(003000-	) Seal	2
▲	13	79177	(003000-	) Plate, Mounting, Rfs Control	1
▲▽	14	79176	(003000-	) Controller Assy, Rfs	1
▲▲	15	59954	(003000-	) Cover, Housing, Electrical	1
▲▲	16	59921	(003000-	) Gasket, Cover, Alum	1
▲	17	56186	(003000-	) Relay, Shrouded, 12 Vdc	4
▲	18	75465	(003000-	) Switch, Pressure	1
▲	19	10632-4	(003000-	) Grommet,Rbr,0.62ld,For .06Matl	1
▲	20	82739	(003000-	) Ftg, Breather	1
▲	21	40607	(003000-	) Ftg,Brass,St Bm03/Pm02	1
▲	22	21301	(003000-	) Hose, Vacuum, .16 ld X 76.0 Lg	1
▲	23	39923	(003000-	) Ftg,Bulkhead-Barb Wh 1074X4	1
▲	24	43454	(003000-	) Washer, .344B .69D .06Nylon	1
▲	25	79169	(003000-	) Cover, Electrical	1
▲	26	40678	(003000-	) Clamp,Cable .44D .62Wide	2
▲	27	49266	(003000-	) Tie, Cable 1.75D Max 7.50Lg	12
▲	28	34864	(003000-	) Strain,Relief	2
▲	29	46236	(003000-	) Clamp-Cable, 0.25Dia 0.56Wth	3
▲	30	79025	(003000-	) Harness, Motor, Duct	2
▲	31	79026	(003000-	) Harness, Hopper, Rfs	1
▲		83706	(003000-	) Harness, Rfs Jumper	1
▲	32	70851	(003000-	) Seal, Urethane	1
▲		44961	(003000-	) Tie, Cable 4.00 Max 14.50Lg	28
▲		23935	(003000-	) Seal, Filter	2
▲		57809	(003000-	) Breaker-Cicuit, 15 Resetable	2
▲	33	49766	(003000-	) Screw, Hex, #08-32 X 0.38, Ss	8
▲	34	02938	(003000-	) Washer, Lock, Int, 08 Ss	8
▲	35	06932	(003000-	) Screw, Pan, M5 X 0.80 X 10, 4.8	8
▲	36	74455	(003000-	) Screw, Hex, M6 X 1.0 X 12, Fmg	9
▲	37	34738	(003000-	) Rivet, Blind, .125d X 0.32 X .25d, Stl	6

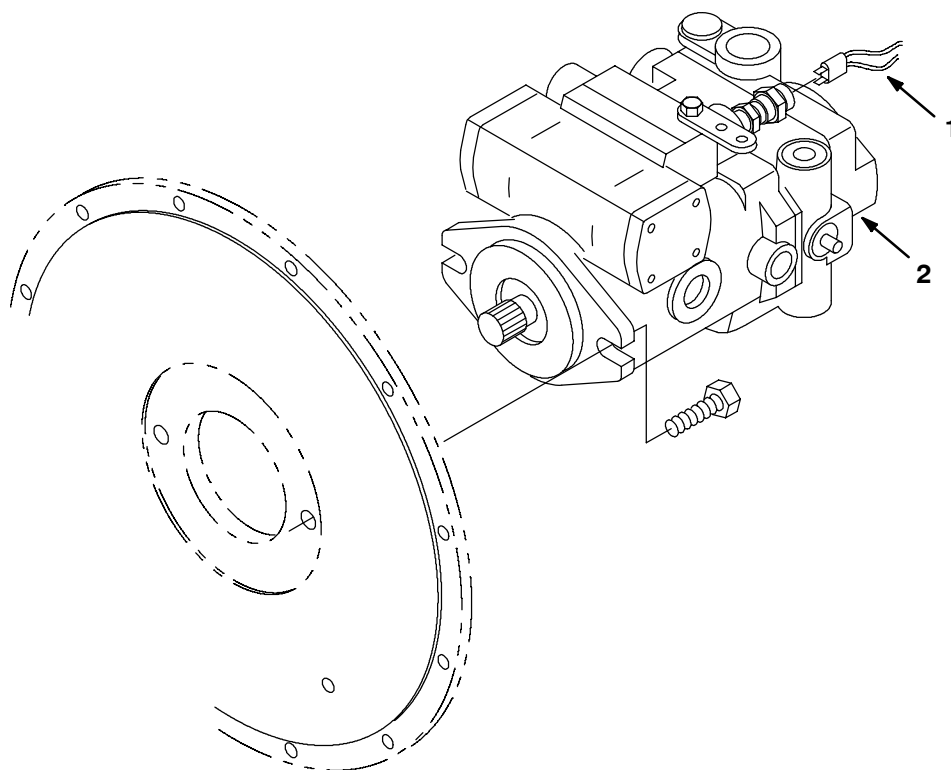
Fig. 41 - Cab AC Drain Hose Kit



**Fig. 41 - Cab AC Drain Hose Kit**

	<b>Ref.</b>	<b>Part No.</b>	<b>Serial Number</b>	<b>Description</b>	<b>Qty.</b>
▽		374133	(003000-	) Kit, Ci, Drain Hose, A/C	1
▲	1	374134	(003000-	) Hose Assy, Drain, A/C	1
▲	2	374135	(003000-	) Hose Assy, Drain, A/C	1
▲	3	49266	(003000-	) Tie, Cable, Nyl, 07.3l .19w 1.8 Max D	10
▲	4	55248	(003000-	) Mount, Cable Tie	10

**Fig. 42 - Neutral Start Group**

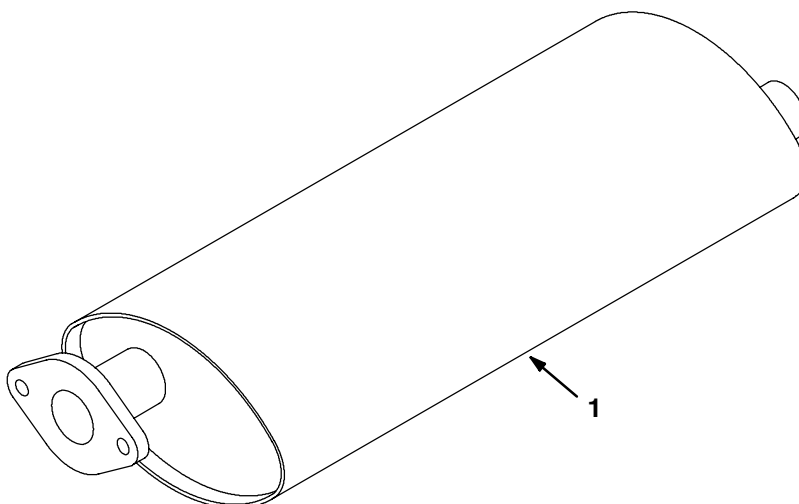


09831 - ALL

Ref.	Part No.	Serial Number	Description	Qty.
1	63407	(003000- )	Harness, Neutral, Start	1
2	74164	(003000-003106 )	Pump, Hyd Piston V 2.48 (See breakdowns)	1
2	373405	(003107- )	Pump, Hyd Piston V 2.48 (See breakdowns)	1



**Fig. 43 - Muffler Group, Non-Catalytic**



09831 - GM, G, LP

<b>Ref.</b>	<b>Part No.</b>	<b>Serial Number</b>	<b>Description</b>	<b>Qty.</b>
1	1012634	(006000-006999 )	Muffler, Exhaust	1

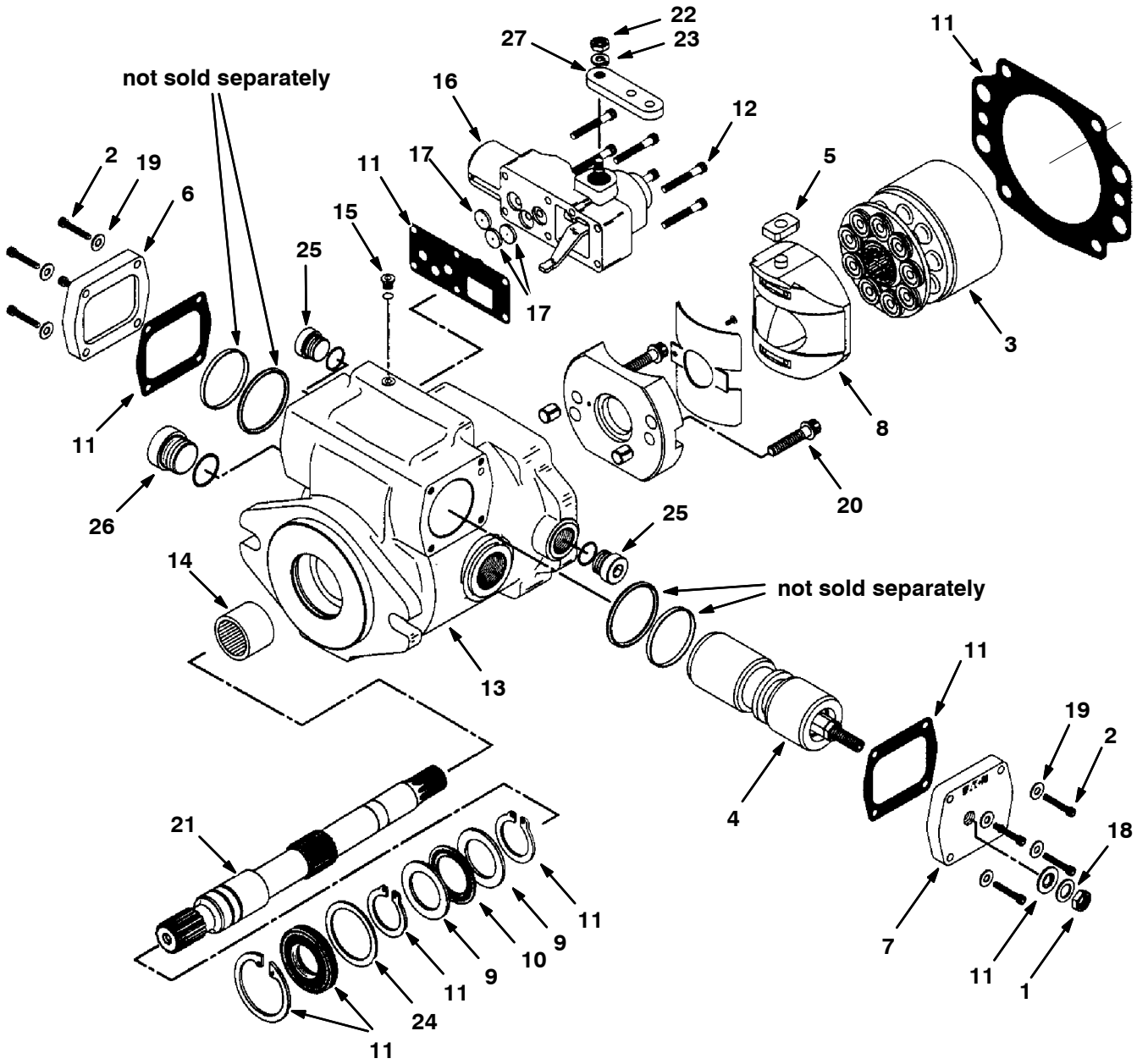
**Fig. 44 - Documentation Group**

<b>Ref.</b>	<b>Part No.</b>	<b>Serial Number</b>	<b>Description</b>	<b>Qty.</b>
	330160	(003000-	) Manual Pkg 810G	1
	MM337	(003000-	) Manual, Service 800/810	1
	393223	(003000-	) Manual, Service, Eng, [Gm 3.0L]	1
	21791	(003000-	) Manual, Service FD (Lrg) 2.3L	1
	385439	(003000-	) Manual, Service FD (Lrg) 2.5L	1
	330162	(003000-	) Manual Op/Mt 810G Spanish	1
	330163	(003000-	) Manual Op/Mt 810G French	1
	1052093	(003000-	) Video, Oprtr, Training, Dvd [810]	1
	9003927	(004500-	) Manual, Eng, Cd-Rom [Tier II, Gm3.0]	1

## SECTION 4

Contents	Page	Contents	Page
Fig. 1 - Hydraulic Piston Pump Breakdown, 74163 .....	4-2	Fig. 33 - AC Condenser Box Breakdown, 380625 .....	4-57
Fig. 2 - Hydraulic Piston Pump Breakdown, 74163 .....	4-4	Fig. 34 - AC and Heater Box Breakdown, 380613 .....	4-58
Fig. 3 - Hydraulic Piston Pump Breakdown, 373404 .....	4-6	Fig. 35 - Heater Box Breakdown, 380614 .....	4-60
Fig. 4 - Hydraulic Piston Pump Breakdown, 373404 .....	4-8	Fig. 36 - Right Hand (Rh) Brake Assy, 77790 ..	4-62
Fig. 5 - Hydraulic Manual Control Breakdown, 74273 .....	4-10	Fig. 37 - Left Hand (L.h.) Brake Assy, 77770 ..	4-64
Fig. 6 - Hydraulic Piston Pump Breakdown, 74164 .....	4-12	Fig. 38 - LPG Electronic Fuel Ignition Breakdown, 371894 .....	4-66
Fig. 7 - Hydraulic Piston Pump Breakdown, 74164 .....	4-14	Fig. 39 - LPG Electronic Fuel Ignition Breakdown, 371895 .....	4-68
Fig. 8 - Hydraulic Piston Pump Breakdown, 373405 .....	4-16	Fig. 40 - Gasoline Electronic Fuel Ignition Breakdown, 371896 .....	4-70
Fig. 9 - Hydraulic Piston Pump Breakdown, 373405 .....	4-18	Fig. 41 - Gasoline Electronic Fuel Ignition Breakdown, 371897 .....	4-72
Fig. 10 - Hydraulic Manual Control Breakdown, 373369 .....	4-20	Fig. 42 - Hydraulic Solenoid Valve Breakdown, 1049210 .....	4-74
Fig. 11 - Hydraulic Gear Pump Breakdown, 62561 .....	4-22	Fig. 43 - Hydraulic Solenoid Valve Breakdown, 1049209 .....	4-76
Fig. 12 - Hydraulic Gear Pump Breakdown, 373254 .....	4-24	Fig. 44 - Hydraulic Solenoid Valve Breakdown, 1049211 .....	4-78
Fig. 13 - Hydraulic Motor Breakdown, 77406 ..	4-26		
Fig. 14 - Hydraulic Motor Breakdown, 375719 ..	4-28		
Fig. 15 - Hydraulic Motor Breakdown, 63426 ..	4-30		
Fig. 16 - Hydraulic Motor Breakdown, 22626 ..	4-32		
Fig. 17 - Hydraulic Motor Breakdown, 373464 ..	4-34		
Fig. 18 - Hydraulic Motor Breakdown, 62563 ..	4-36		
Fig. 19 - Hydraulic Motor Breakdown, 79781 ..	4-37		
Fig. 20 - Hydraulic Motor Breakdown, 19117 ..	4-38		
Fig. 21 - Hydraulic Motor Breakdown, 63542 ..	4-39		
Fig. 22 - Hydraulic Steering Valve Breakdown, 65242 .....	4-40		
Fig. 23 - Hydraulic Solenoid Valve Breakdown, 84015 .....	4-42		
Fig. 24 - Hydraulic Solenoid Valve Breakdown, 84016 .....	4-43		
Fig. 25 - Hydraulic Valve Breakdown, 375563 .....	4-44		
Fig. 26 - Hydraulic Solenoid Valve Breakdown, 84013 .....	4-46		
Fig. 27 - Hydraulic Cylinder Breakdown, 53601 .....	4-48		
Fig. 28 - Hydraulic Cylinder Breakdown, 1026719 .....	4-49		
Fig. 29 - Cab Assembly .....	4-50		
Fig. 30 - Cab Door Assembly .....	4-52		
Fig. 31 - Cab Insulation Group .....	4-54		
Fig. 32 - Cab Wire Harness Group .....	4-56		

**Fig. 1 - Hydraulic Piston Pump Breakdown, 74163**

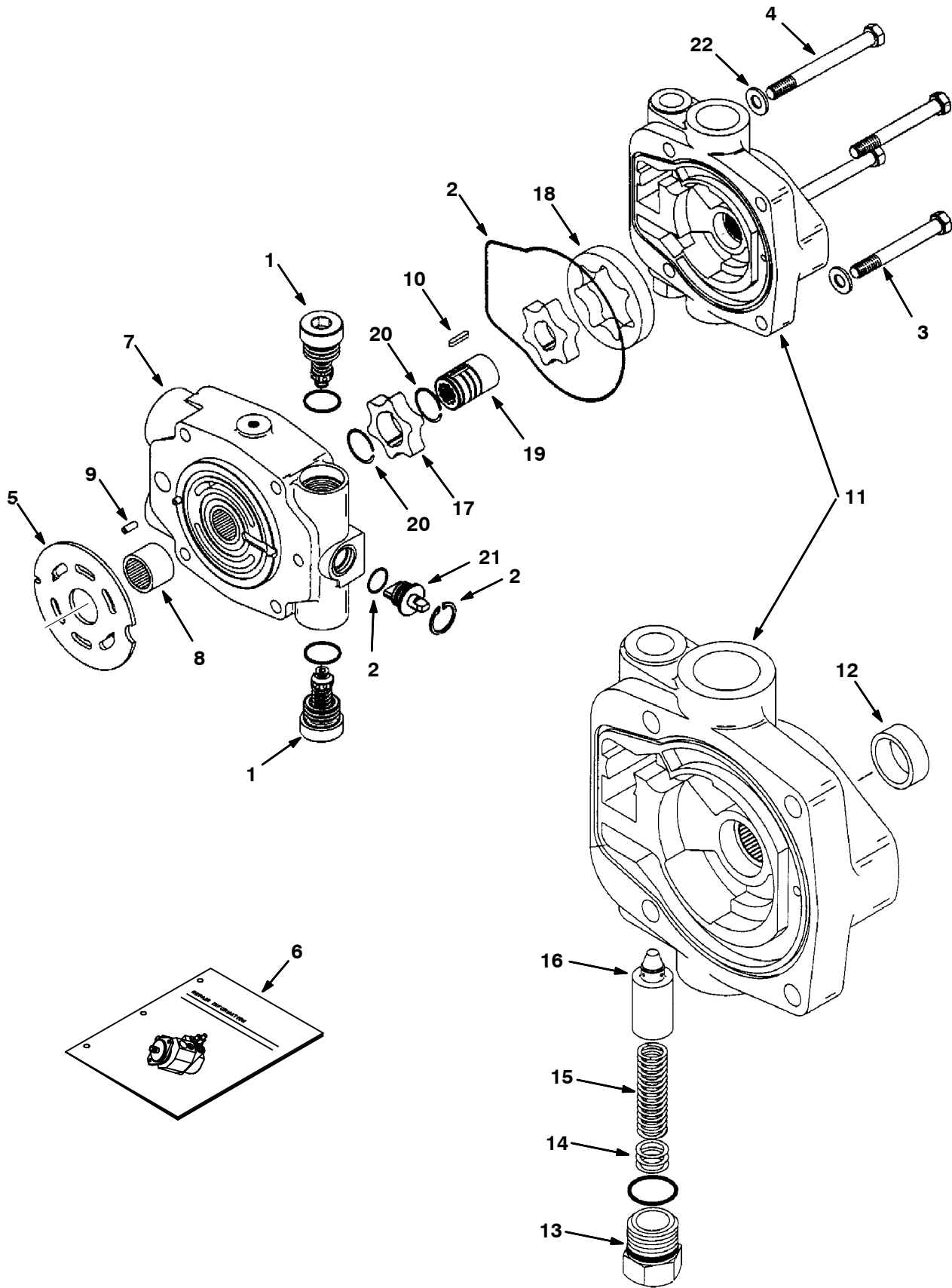


**Fig. 1 - Hydraulic Piston Pump Breakdown, 74163**

NOTE: Piston Pump, TENNANT Part Number 74163, includes Fig. 1, Fig. 2 and Fig. 5.

Ref.	Part No.	Serial Number	Description	Qty.	
1	74184	(000000-	) Nut, Jam	1	
2	74223	(000000-	) Screw, Cap	8	
3	61882	(000000-	) Rotating Kit	1	
4	74253	(000000-	) Piston, Servo	1	
5	74254	(000000-	) Follower, Piston	1	
6	74256	(000000-	) Plate, Cover En	1	
7	74257	(000000-	) Plate, Cover En	1	
8	74258	(000000-	) Camplate S/A En	1	
9	74240	(000000-	) Race, Bearing Ce	2	
10	74210	(000000-	) Bearing	1	
11	74283	(000000-	) Seal Kit, Pump En	1	
12	74262	(000000-	) Screw, Cap En	6	
▽	74263	(000000-	) Housing S/A En	1	
▲	13	79771	(000000-	) Housing En	1
▲	14	37462	(000000-	) Bearing	1
▲	15	79742	(000000-	) Plug S/A En	1
	16	74273	(000000-	) Control, Manual (See Breakdowns)	1
	17	74276	(000000-	) Orifice, Valve En	3
	18	74280	(000000-	) Washer En	1
	19	74281	(000000-	) Washer En	8
	20	79747	(000000-	) Cap Screw En	2
	21	74265	(000000-	) Shaft, Drive Sp En	1
	22	74266	(000000-	) Nut En	1
	23	74267	(000000-	) Lockwasher En	1
	24	37460	(000000-	) Washer	1
	25	13907	(000000-	) Plug #8	2
	26	79779	(000000-	) Plug,#12 O-Ring Ph	1
	27	74272	(000000-	) Arm, Control En	1

**Fig. 2 - Hydraulic Piston Pump Breakdown, 74163**

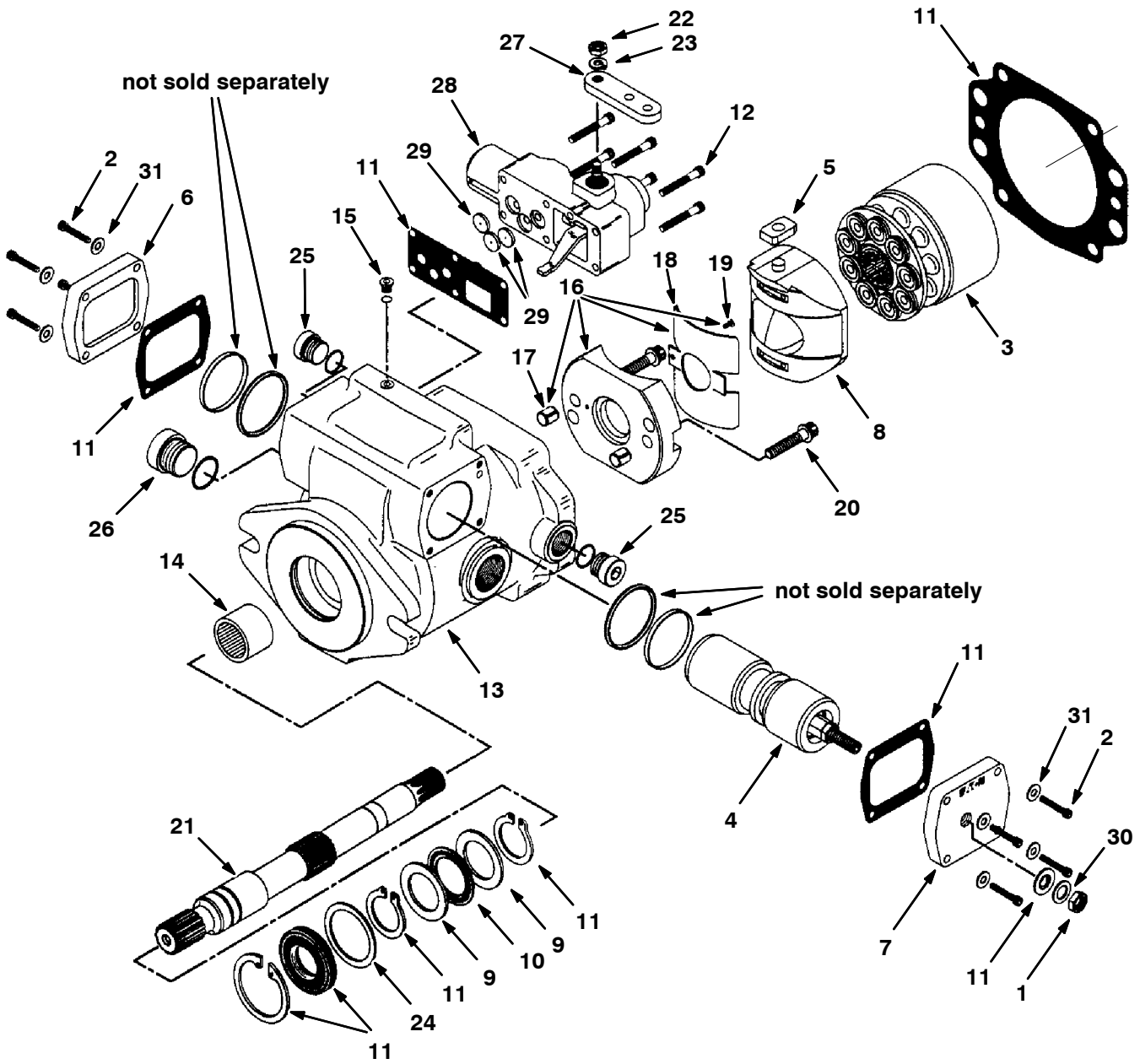


**Fig. 2 - Hydraulic Piston Pump Breakdown, 74163**

NOTE: Piston Pump, TENNANT Part Number 74163, includes Fig. 1, Fig. 2 and Fig. 5.

Ref.	Part No.	Serial Number	Description	Qty.
1	74259	(000000-	) Relief Valve Sa En	2
2	74283	(000000-	) Seal Kit, Pump En	1
3	74260	(000000-	) Screw, Cap En	2
4	74261	(000000-	) Screw, Cap En	2
5	61886	(000000-	) Valve Plate	1
6	79708	(000000-	) Repair Info,Pmp En	1
▽	7	74264	(000000-) Backplate S/A En	1
▲	8	34159	(000000-) Bearing	1
▲	9	79748	(000000-) Roll Pin En	1
10	74270	(000000-	) Key En	1
▽	11	74271	(000000-) Charge Pmp Adap En	1
▲	12	79749	(000000-) Bushing En	1
▲	13	79750	(000000-) Plug En	1
▲	14	79751	(000000-) Shims En	1
▲	15	79752	(000000-) Spring En	1
▲	16	79753	(000000-) Poppet En	1
17	74274	(000000-	) Geroter,Ring In En	1
18	74275	(000000-	) Geroter,Ring Ot En	1
19	74277	(000000-	) Coupler En	1
20	74278	(000000-	) Ring, Retaining En	2
21	74279	(000000-	) Actuator, Valve En	1
22	74282	(000000-	) Washer En	4

**Fig. 3 - Hydraulic Piston Pump Breakdown, 373404**



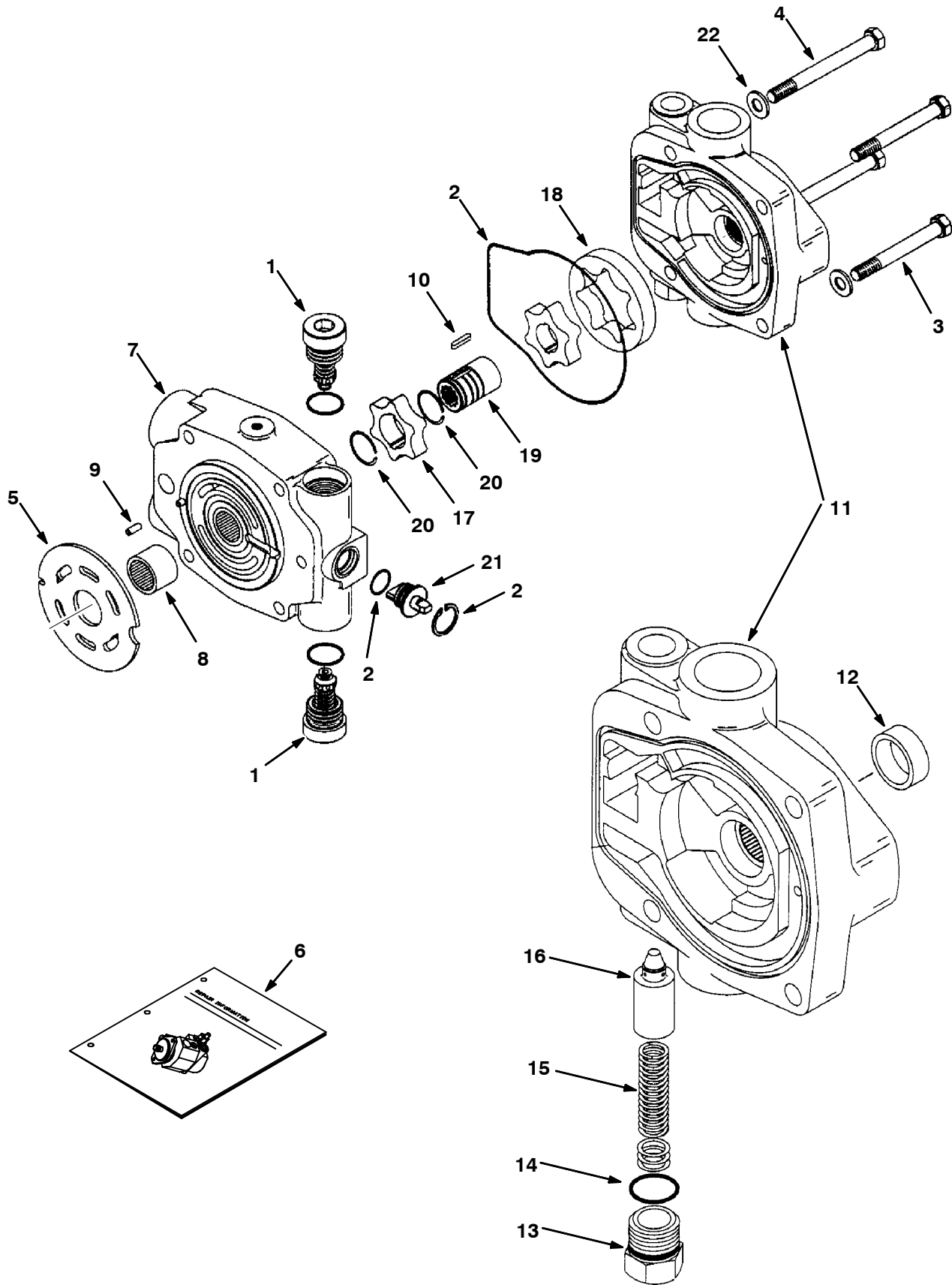


**Fig. 3 - Hydraulic Piston Pump Breakdown, 373404**

NOTE: Piston Pump, TENNANT Part Number 373404, includes Fig. 3, Fig. 4 and Fig. 5.

Ref.	Part No.	Serial Number	Description	Qty.
1	74184	(000000-	) Nut, Jam	1
2	74223	(000000-	) Screw, Cap	8
3	61882	(000000-	) Rotating Kit	1
4	373407	(000000-	) Piston, Servo	1
5	74254	(000000-	) Follower, Piston	1
6	74256	(000000-	) Plate, Cover En	1
7	74257	(000000-	) Plate, Cover En	1
8	74258	(000000-	) Camplate S/A En	1
9	74240	(000000-	) Race, Bearing Ce	2
10	74210	(000000-	) Bearing	1
11	74283	(000000-	) Seal Kit, Pump En	1
12	74262	(000000-	) Screw, Cap En	6
▽	373408	(000000-	) Housing S/A En	1
▲	13 373409	(000000-	) Housing En	1
▲	14 37462	(000000-	) Bearing	1
▲	15 79742	(000000-	) Plug S/A En	1
▽	16 373410	(000000-	) Cradle Sub Assy En	1
▲	17 373218	(000000-	) Dowel Bushing En	2
▲	18 373414	(000000-	) Bushing En	1
▲	19 373415	(000000-	) Cap Screw En	1
20	79747	(000000-	) Cap Screw En	2
21	74265	(000000-	) Shaft, Drive Sp En	1
22	74266	(000000-	) Nut En	1
23	74267	(000000-	) Lockwasher En	1
24	37460	(000000-	) Washer	1
25	13907	(000000-	) Plug #8	2
26	79779	(000000-	) Plug,#12 O-Ring Ph	1
27	74272	(000000-	) Arm, Control En	1
28	74273	(000000-	) Control, Manual (See Breakdowns)	1
29	74276	(000000-	) Orifice, Valve En	3
30	74280	(000000-	) Washer En	1
31	74281	(000000-	) Washer En	8

**Fig. 4 - Hydraulic Piston Pump Breakdown, 373404**

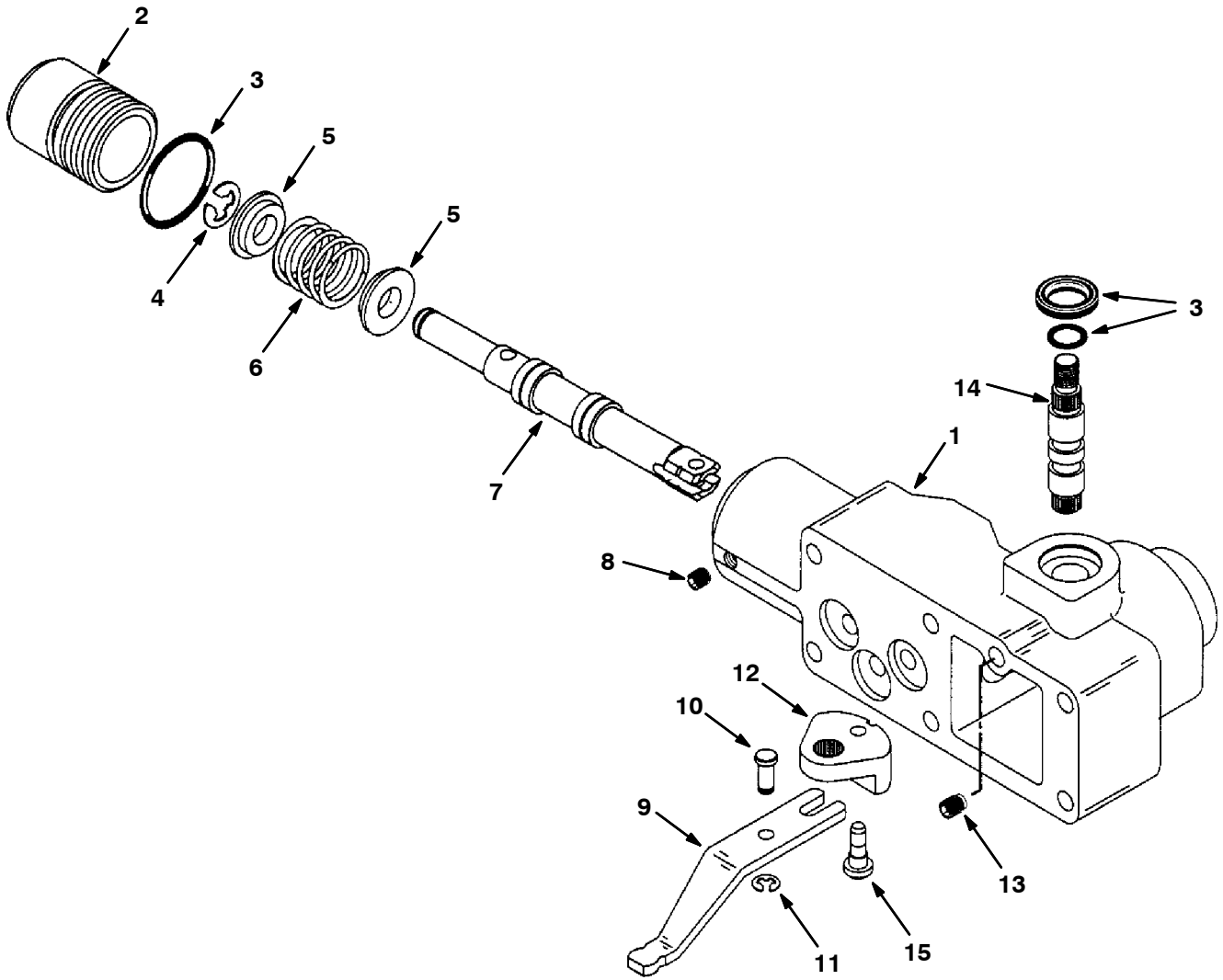


**Fig. 4 - Hydraulic Piston Pump Breakdown, 373404**

NOTE: Piston Pump, TENNANT Part Number 373404, includes .Fig. 3, Fig. 4 and Fig. 5.

Ref.	Part No.	Serial Number	Description	Qty.	
1	74259	(000000-	) Relief Valve Sa En	2	
2	74283	(000000-	) Seal Kit, Pump En	1	
3	373374	(000000-	) Screw, Cap En	2	
4	373375	(000000-	) Screw, Cap En	2	
5	61886	(000000-	) Valve Plate	1	
6	373406	(000000-	) Repair Info,Pmp En	1	
▽	7	373412	(000000-	) Backplate S/A En	1
▲	8	34159	(000000-	) Bearing	1
▲	9	79748	(000000-	) Roll Pin En	1
10	74270	(000000-	) Key En	1	
▽	11	74271	(000000-	) Charge Pmp Adap En	1
▲	12	79749	(000000-	) Bushing En	1
▲	13	79750	(000000-	) Plug En	1
▲	14	79751	(000000-	) Shims En	1
▲	15	79752	(000000-	) Spring En	1
▲	16	79753	(000000-	) Poppet En	1
17	74274	(000000-	) Geroter,Ring In En	1	
18	74275	(000000-	) Geroter,Ring Ot En	1	
19	74277	(000000-	) Coupler En	1	
20	74278	(000000-	) Ring, Retaining En	2	
21	373413	(000000-	) Actuator, Valve En	1	
22	74282	(000000-	) Washer En	4	

**Fig. 5 - Hydraulic Manual Control Breakdown, 74273**



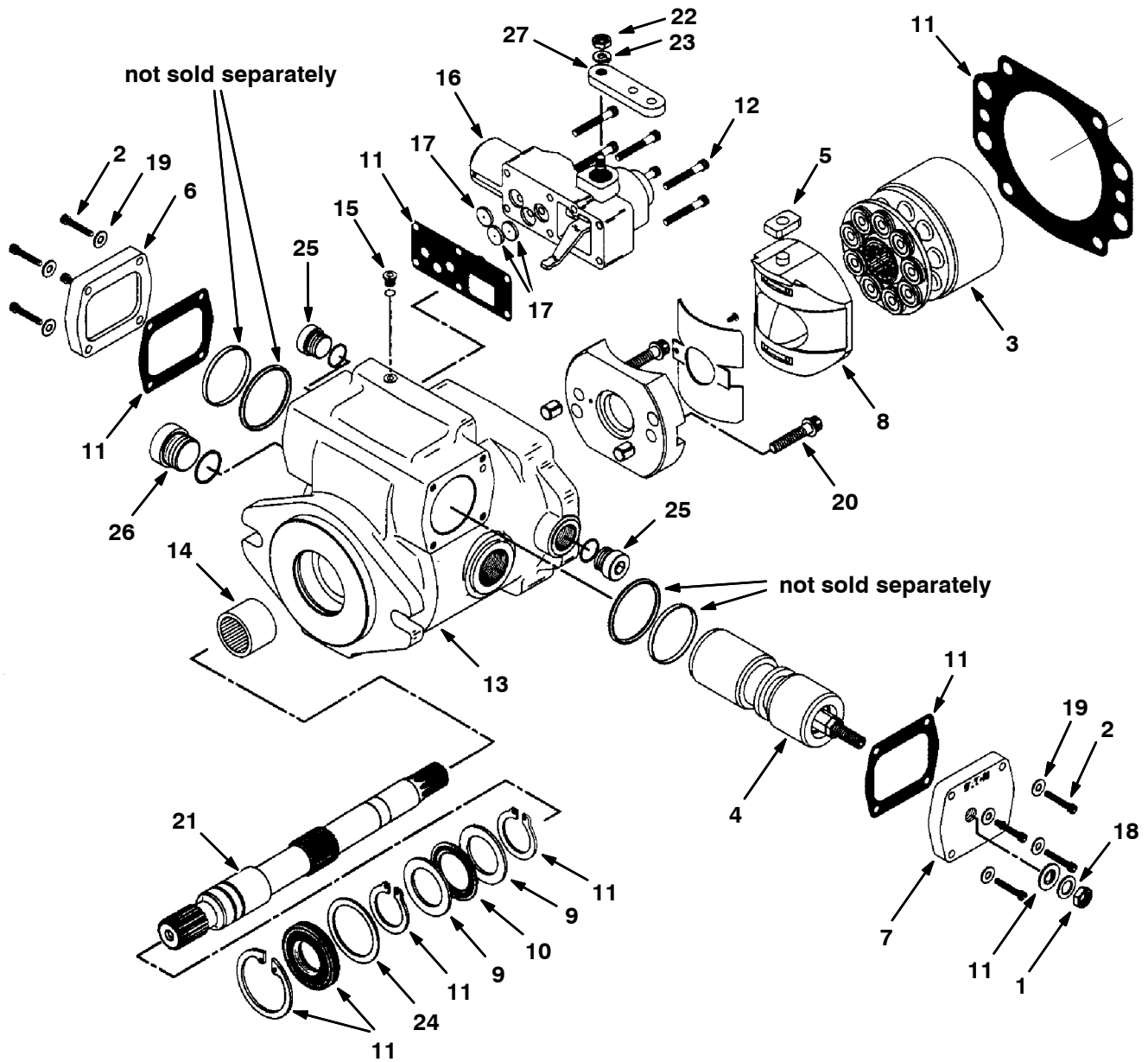
**Fig. 5 - Hydraulic Manual Control Breakdown, 74273**

NOTE: Piston Pump, TENNANT Part Number 74163, includes Fig. 1, Fig. 2 and Fig. 5.

NOTE: Piston Pump, TENNANT Part Number 373404, includes .Fig. 3, Fig. 4 and Fig. 5.

	Ref.	Part No.	Serial Number	Description	Qty.
▽		74273	(000000-	) Control, Manual	1
▲	1	79754	(000000-	) Housing,Control	1
▲	2	79755	(000000-	) Plug	1
▲	3	79776	(000000-	) Seal Kit,Cntrl	1
▲	4	79756	(000000-	) Ring, Retaining	1
▲	5	79757	(000000-	) Spring,Retainer	2
▲	6	79758	(000000-	) Spring, Cntr	1
▲	7	79759	(000000-	) Valve Spool	1
▲	8	79760	(000000-	) Screw, Set	1
▲	9	79761	(000000-	) Link, Feedback	1
▲	10	79762	(000000-	) Dowel Pin	1
▲	11	79763	(000000-	) Ring, Retaining	1
▲	12	79764	(000000-	) Bell Crank	1
▲	13	79765	(000000-	) Screw, Set	1
▲	14	79766	(000000-	) Shaft, Input	1
▲	15	79767	(000000-	) Pin, Headed	1

**Fig. 6 - Hydraulic Piston Pump Breakdown, 74164**

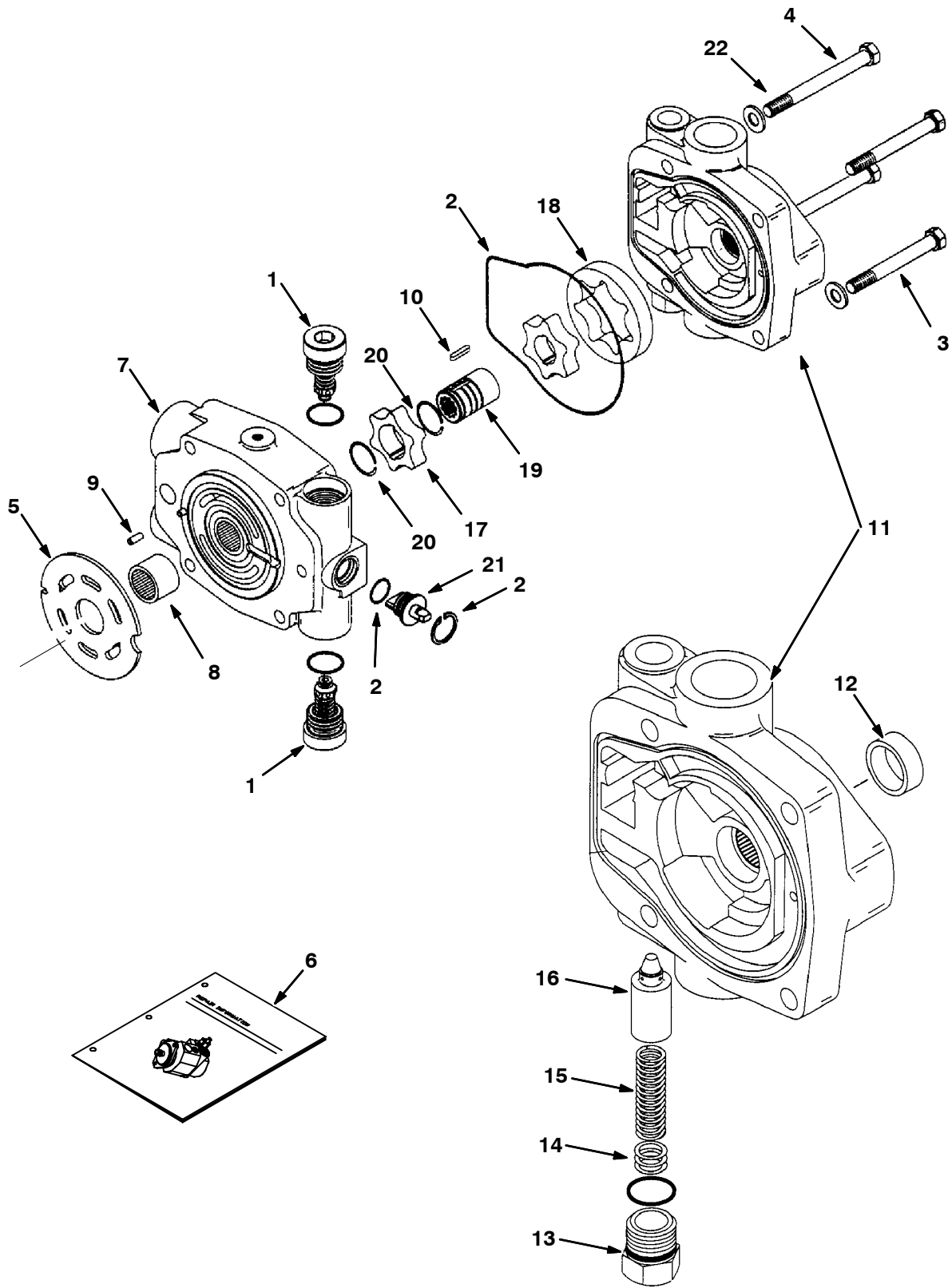


**Fig. 6 - Hydraulic Piston Pump Breakdown, 74164**

NOTE: Piston Pump, TENNANT Part Number 74164, includes Fig. 6, Fig. 7 and Fig. 10.

Ref.	Part No.	Serial Number	Description	Qty.	
1	74184	(000000-	) Nut, Jam	1	
2	74223	(000000-	) Screw, Cap	8	
3	61882	(000000-	) Rotating Kit	1	
4	74253	(000000-	) Piston, Servo	1	
5	74254	(000000-	) Follower, Piston	1	
6	74256	(000000-	) Plate, Cover En	1	
7	74257	(000000-	) Plate, Cover En	1	
8	74258	(000000-	) Camplate S/A En	1	
9	74240	(000000-	) Race, Bearing Ce	2	
10	74210	(000000-	) Bearing	1	
11	74283	(000000-	) Seal Kit, Pump En	1	
12	74262	(000000-	) Screw, Cap En	6	
▽	74263	(000000-	) Housing S/A En	1	
▲	13	79771	(000000-	) Housing En	1
▲	14	37462	(000000-	) Bearing	1
▲	15	79742	(000000-	) Plug S/A En	1
	16	373369	(000000-	) Control, Manual (See Breakdowns)	1
	17	74276	(000000-	) Orifice, Valve En	3
	18	74280	(000000-	) Washer En	1
	19	74281	(000000-	) Washer En	8
	20	79747	(000000-	) Cap Screw En	2
	21	74265	(000000-	) Shaft, Drive Sp En	1
	22	74266	(000000-	) Nut En	1
	23	74267	(000000-	) Lockwasher En	1
	24	37460	(000000-	) Washer	1
	25	13907	(000000-	) Plug #8	2
	26	79779	(000000-	) Plug,#12 O-Ring Ph	1
	27	74272	(000000-	) Arm, Control En	1

Fig. 7 - Hydraulic Piston Pump Breakdown, 74164



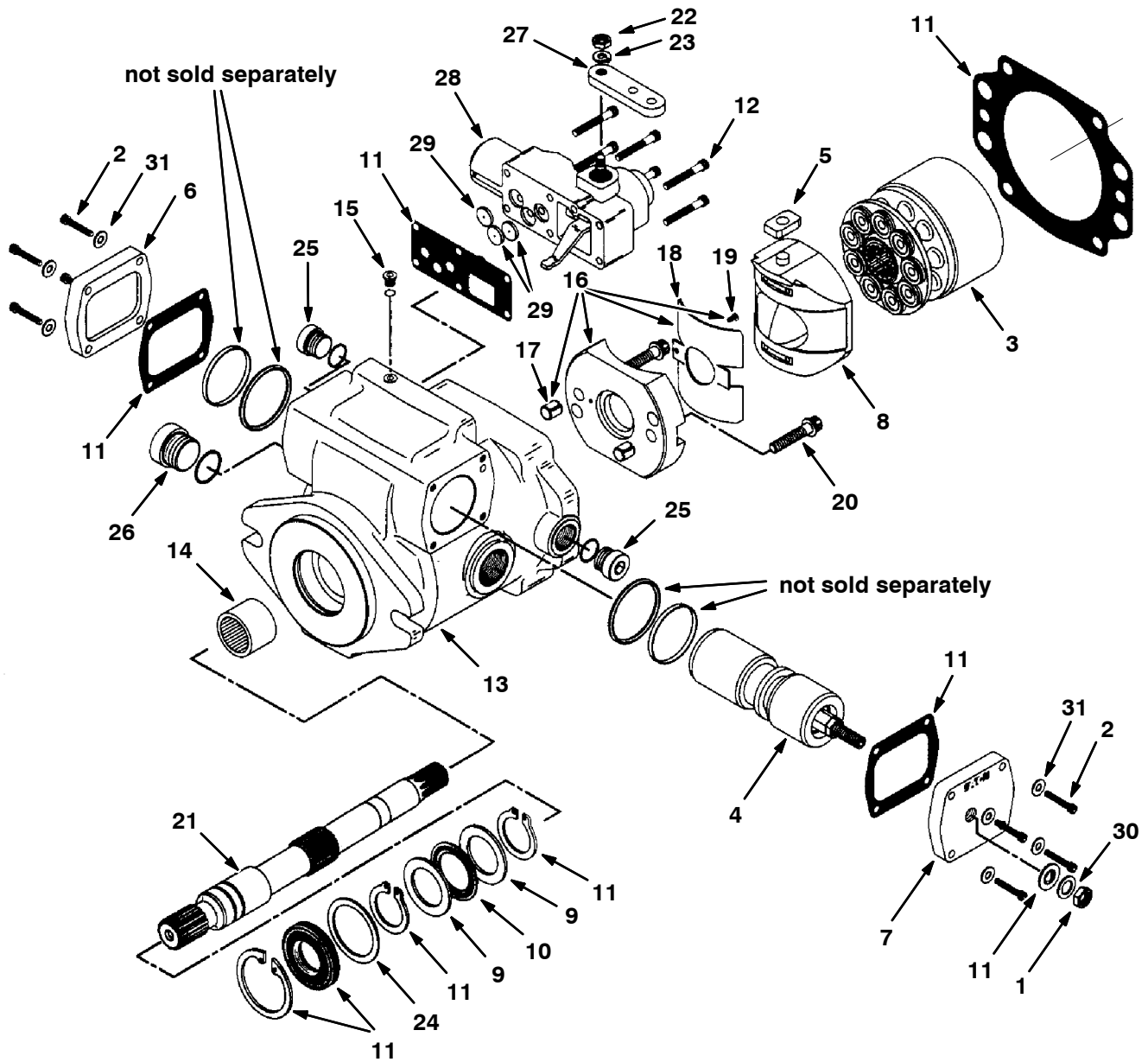


**Fig. 7 - Hydraulic Piston Pump Breakdown, 74164**

NOTE: Piston Pump, TENNANT Part Number 74164, includes Fig. 6, Fig. 7 and Fig. 10.

Ref.	Part No.	Serial Number	Description	Qty.
1	74259	(000000-	) Relief Valve Sa En	2
2	74283	(000000-	) Seal Kit, Pump En	1
3	74260	(000000-	) Screw, Cap En	2
4	74261	(000000-	) Screw, Cap En	2
5	61886	(000000-	) Valve Plate	1
6	79708	(000000-	) Repair Info,Pmp En	1
▽	7	74264	(000000-) Backplate S/A En	1
▲	8	34159	(000000-) Bearing	1
▲	9	79748	(000000-) Roll Pin En	1
10	74270	(000000-	) Key En	1
▽	11	74271	(000000-) Charge Pmp Adap En	1
▲	12	79749	(000000-) Bushing En	1
▲	13	79750	(000000-) Plug En	1
▲	14	79751	(000000-) Shims En	1
▲	15	79752	(000000-) Spring En	1
▲	16	79753	(000000-) Poppet En	1
17	74274	(000000-	) Geroter,Ring In En	1
18	74275	(000000-	) Geroter,Ring Ot En	1
19	74277	(000000-	) Coupler En	1
20	74278	(000000-	) Ring, Retaining En	2
21	74279	(000000-	) Actuator, Valve En	1
22	74282	(000000-	) Washer En	4

**Fig. 8 - Hydraulic Piston Pump Breakdown, 373405**

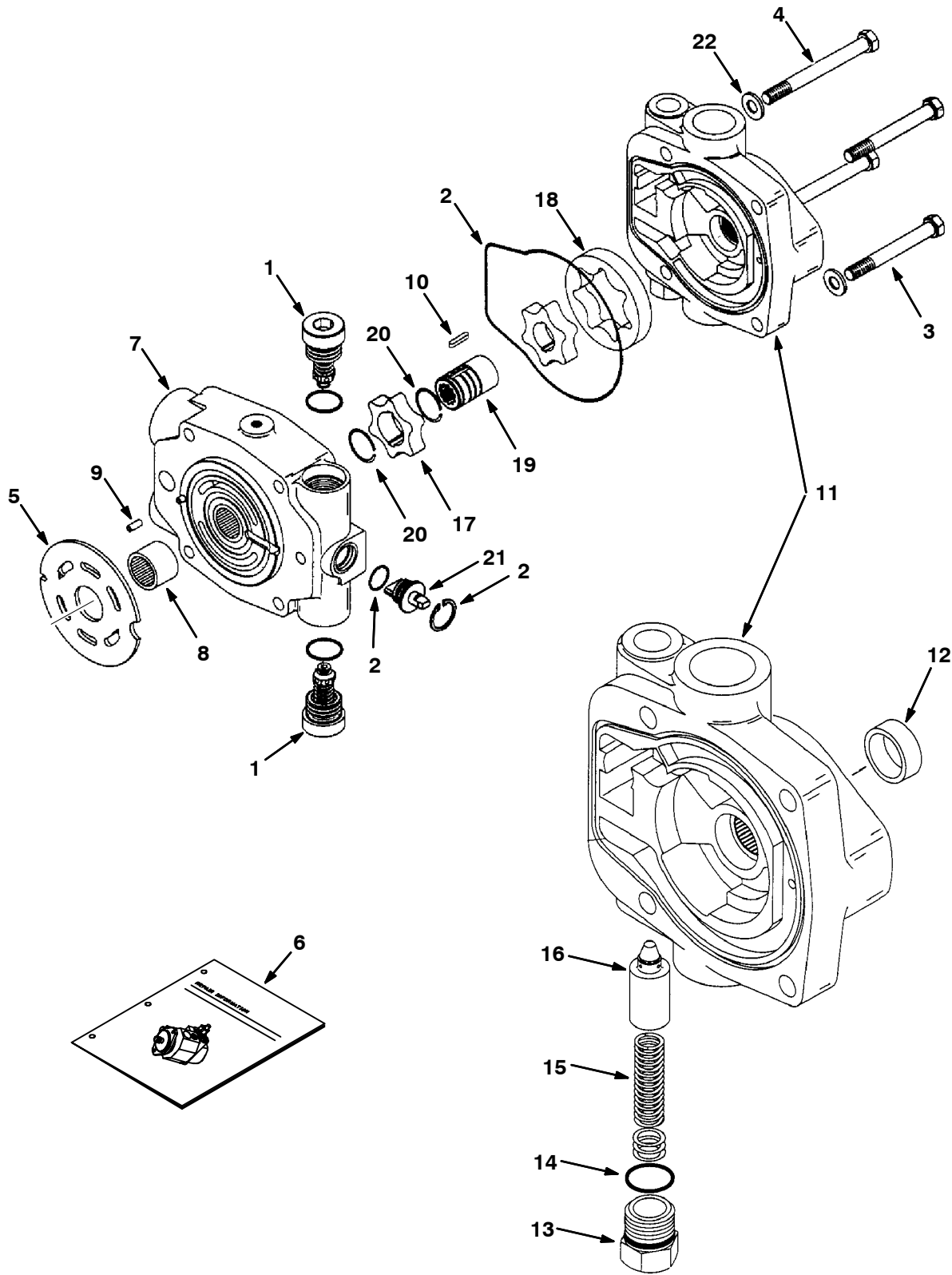


**Fig. 8 - Hydraulic Piston Pump Breakdown, 373405**

NOTE: Piston Pump, TENNANT Part Number 373405, includes Fig. 8, Fig. 9 and Fig. 10.

Ref.	Part No.	Serial Number	Description	Qty.
1	74184	(000000-	) Nut, Jam	1
2	74223	(000000-	) Screw, Cap	8
3	61882	(000000-	) Rotating Kit	1
4	373407	(000000-	) Piston, Servo	1
5	74254	(000000-	) Follower, Piston	1
6	74256	(000000-	) Plate, Cover En	1
7	74257	(000000-	) Plate, Cover En	1
8	74258	(000000-	) Camplate S/A En	1
9	74240	(000000-	) Race, Bearing Ce	2
10	74210	(000000-	) Bearing	1
11	74283	(000000-	) Seal Kit, Pump En	1
12	74262	(000000-	) Screw, Cap En	6
▽	373408	(000000-	) Housing S/A En	1
▲	13 373409	(000000-	) Housing En	1
▲	14 37462	(000000-	) Bearing	1
▲	15 79742	(000000-	) Plug S/A En	1
▽	16 373410	(000000-	) Cradle Sub Assy En	1
▲	17 373218	(000000-	) Dowel Bushing En	2
▲	18 373414	(000000-	) Bushing En	1
▲	19 373415	(000000-	) Cap Screw En	1
20	79747	(000000-	) Cap Screw En	2
21	74265	(000000-	) Shaft, Drive Sp En	1
22	74266	(000000-	) Nut En	1
23	74267	(000000-	) Lockwasher En	1
24	37460	(000000-	) Washer	1
25	13907	(000000-	) Plug #8	2
26	79779	(000000-	) Plug,#12 O-Ring Ph	1
27	74272	(000000-	) Arm, Control En	1
28	373369	(000000-	) Control, Manual (See Breakdowns)	1
29	74276	(000000-	) Orifice, Valve En	3
30	74280	(000000-	) Washer En	1
31	74281	(000000-	) Washer En	8

**Fig. 9 - Hydraulic Piston Pump Breakdown, 373405**

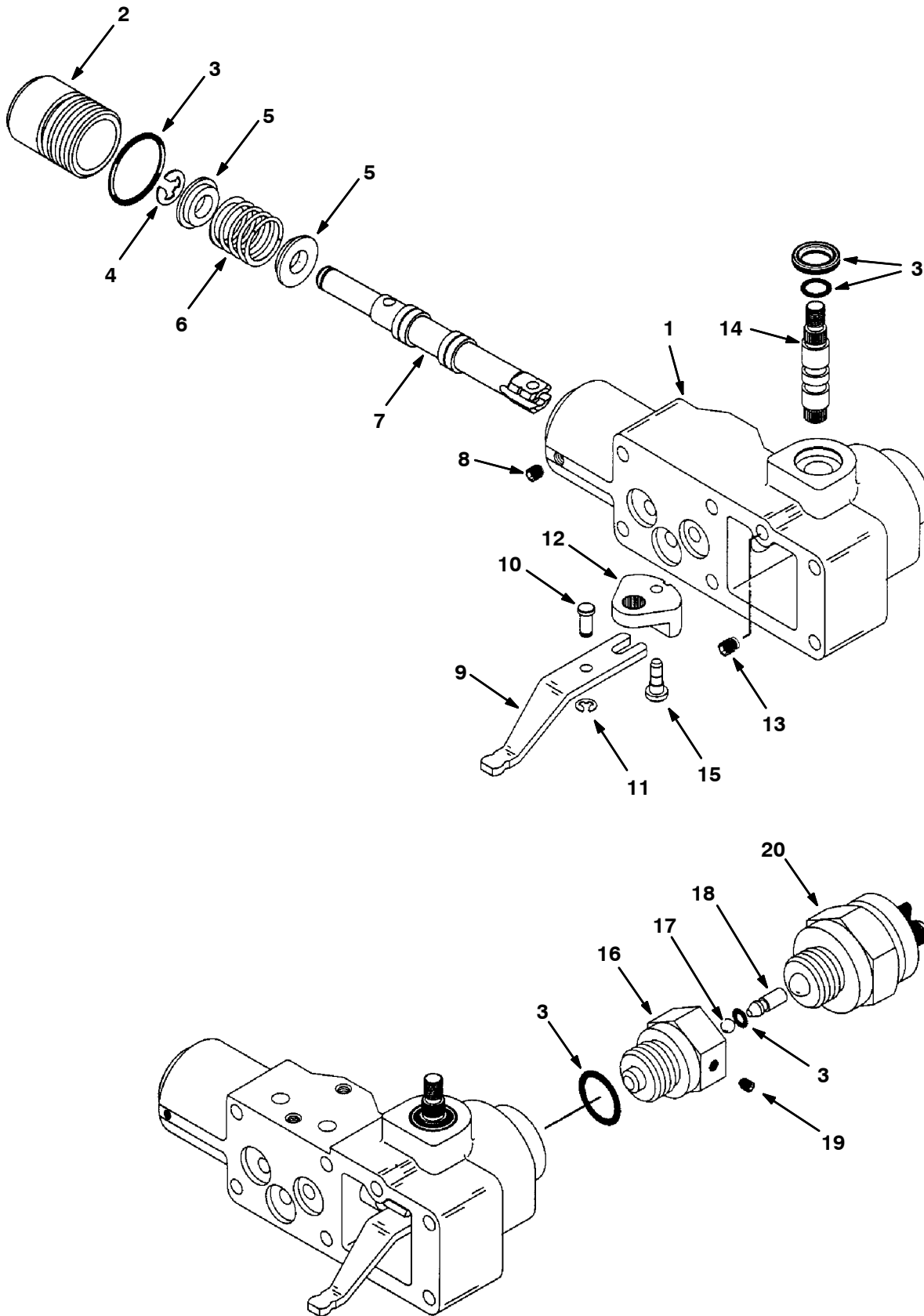


**Fig. 9 - Hydraulic Piston Pump Breakdown, 373405**

NOTE: Piston Pump, TENNANT Part Number 373405, includes Fig. 8, Fig. 9 and Fig. 10.

Ref.	Part No.	Serial Number	Description	Qty.	
1	74259	(000000-	) Relief Valve Sa En	2	
2	74283	(000000-	) Seal Kit, Pump En	1	
3	373374	(000000-	) Screw, Cap En	2	
4	373375	(000000-	) Screw, Cap En	2	
5	61886	(000000-	) Valve Plate	1	
6	373406	(000000-	) Repair Info,Pmp En	1	
▽	7	373412	(000000-	) Backplate S/A En	1
▲	8	34159	(000000-	) Bearing	1
▲	9	79748	(000000-	) Roll Pin En	1
10	74270	(000000-	) Key En	1	
▽	11	74271	(000000-	) Charge Pmp Adap En	1
▲	12	79749	(000000-	) Bushing En	1
▲	13	79750	(000000-	) Plug En	1
▲	14	79751	(000000-	) Shims En	1
▲	15	79752	(000000-	) Spring En	1
▲	16	79753	(000000-	) Poppet En	1
17	74274	(000000-	) Geroter,Ring In En	1	
18	74275	(000000-	) Geroter,Ring Ot En	1	
19	74277	(000000-	) Coupler En	1	
20	74278	(000000-	) Ring, Retaining En	2	
21	373413	(000000-	) Actuator, Valve En	1	
22	74282	(000000-	) Washer En	4	

**Fig. 10 - Hydraulic Manual Control Breakdown, 373369**



**Fig. 10 - Hydraulic Manual Control Breakdown, 373369**

NOTE: Piston Pump, TENNANT Part Number 74164, includes Fig. 6, Fig. 7 and Fig. 10.

NOTE: Piston Pump, TENNANT Part Number 373405, includes Fig. 8, Fig. 9 and Fig. 10.

	Ref.	Part No.	Serial Number	Description	Qty.
▽		373369	(000000-	) Manual Control En	1
▲	1	79777	(000000-	) Housing,Control En	1
▲	2	79755	(000000-	) Plug En	1
▲	3	79776	(000000-	) Seal Kit,Cntrl En	1
▲	4	79756	(000000-	) Ring, Retaining En	1
▲	5	79757	(000000-	) Spring,Retainer En	2
▲	6	79758	(000000-	) Spring, Cntr En	1
▲	7	79772	(000000-	) Vlv Spool Wide En	1
▲	8	79760	(000000-	) Screw, Set En	1
▲	9	79761	(000000-	) Link, Feedback En	1
▲	10	79762	(000000-	) Dowel Pin En	1
▲	11	79763	(000000-	) Ring, Retaining En	1
▲	12	79764	(000000-	) Bell Crank En	1
▲	13	79765	(000000-	) Screw, Set En	1
▲	14	79766	(000000-	) Shaft, Input En	1
▲	15	79767	(000000-	) Pin, Headed En	1
▲	16	373371	(000000-	) Adaptor,Neutral En	1
▲	17	79774	(000000-	) Ball En	1
▲	18	373372	(000000-	) Pin, Cntrl Assy En	1
▲	19	79760	(000000-	) Screw, Set En	1
▲	20	373373	(000000-	) Switch,Lockout En	1

**Fig. 11 - Hydraulic Gear Pump Breakdown, 62561**

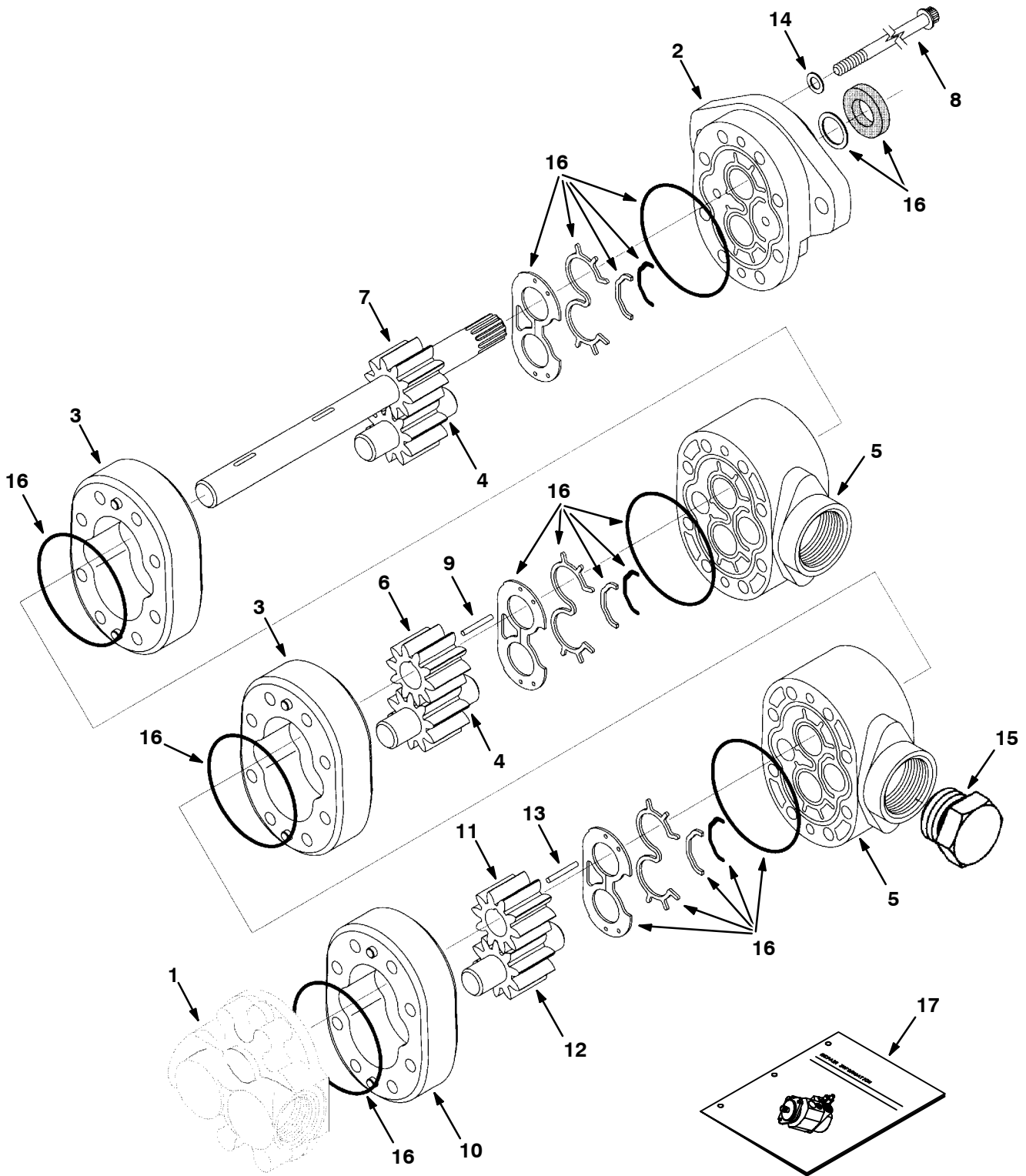




Fig. 11 - Hydraulic Gear Pump Breakdown, 62561

	Ref.	Part No.	Serial Number	Description	Qty.
▽		62561	(000000-	) Pump, Hyd	1
▲	1	58242	(000000-	) Plate, Back	1
▲	2	74149	(000000-	) Plate, Front	1
▲	3	74150	(000000-	) Body Assy	2
▲	4	74151	(000000-	) Gear, Idler	2
▲	5	74152	(000000-	) Plate, Adapter	2
▲	6	74148	(000000-	) Gear, Slip Fit	1
▲	7	65226	(000000-	) Drive Gear Assembly	1
▲	8	74154	(000000-	) Screw, Cap	8
▲	9	74160	(000000-	) Key, Round	1
▲	10	74157	(000000-	) Body Assembly	1
▲	11	74153	(000000-	) Gear	1
▲	12	74158	(000000-	) Gear, Idler	1
▲	13	74156	(000000-	) Key, Round	1
▲	14	74159	(000000-	) Washer	4
▲	15	74161	(000000-	) Plug, O-ring	1
▲	16	59305	(000000-	) Kit, Seal, Hyd, Pump	1
▲	17	763483	(000000-	) Repair Info, Pump	1

**Fig. 12 - Hydraulic Gear Pump Breakdown, 373254**

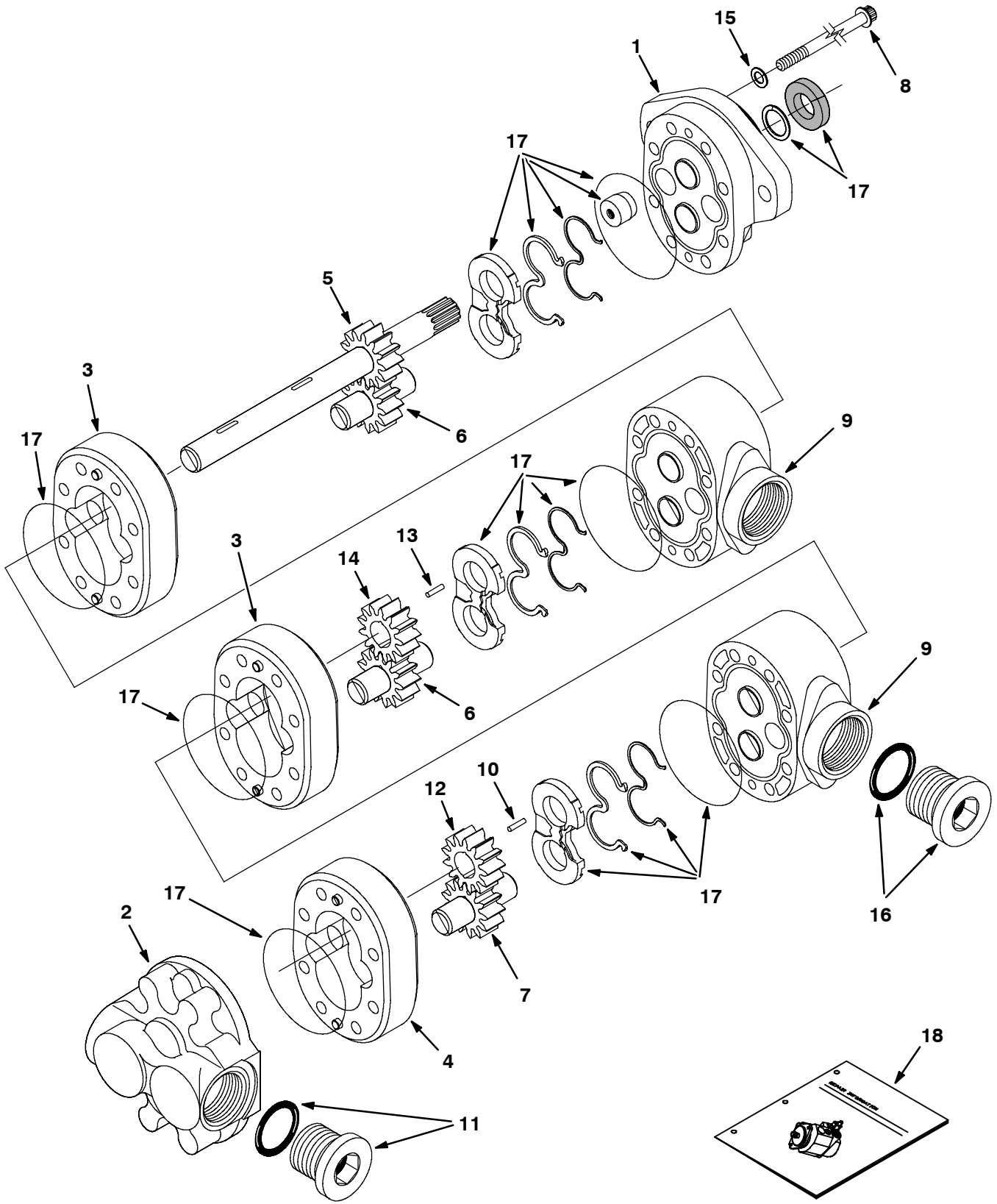


Fig. 12 - Hydraulic Gear Pump Breakdown, 373254

Ref.	Part No.	Serial Number	Description	Qty.
▽	373254	(000000-	) Pump, Hyd, Gear, [Ex3] 0.66 [R] 3000	1
▲ 1	373201	(000000-	) Plate, Front, Pump, Hyd	1
▲ 2	373276	(000000-	) Plate, Back, Pump, Hyd	1
▲ 3	373232	(000000-	) Housing	1
▲ 4	373256	(000000-	) Body	2
▲ 5	373457	(000000-	) Gear, Drive	1
▲ 6	373211	(000000-	) Gear Assy, Idler	1
▲ 7	373258	(000000-	) Gear, Idler	2
▲ 8	74154	(000000-	) Screw, Cap, Motor, Hyd	8
▲ 9	373235	(000000-	) Plate, Adaptor	2
▲ 10	373458	(000000-	) Key	1
▲ 11	71725	(000000-	) Plug, O-Ring	1
▲ 12	373259	(000000-	) Gear, [Slip Fit]	1
▲ 13	373284	(000000-	) Key	1
▲ 14	373242	(000000-	) Gear	1
▲ 15	373243	(000000-	) Washer	4
▲ 16	74161	(000000-	) Plug, O-Ring	1
▲ 17	373255	(000000-	) Kit, Seal, Pump	1
▲ 18	373207	(000000-	) Instr, Kit, Repair, Pump, Hyd	1

**Fig. 13 - Hydraulic Motor Breakdown, 77406**

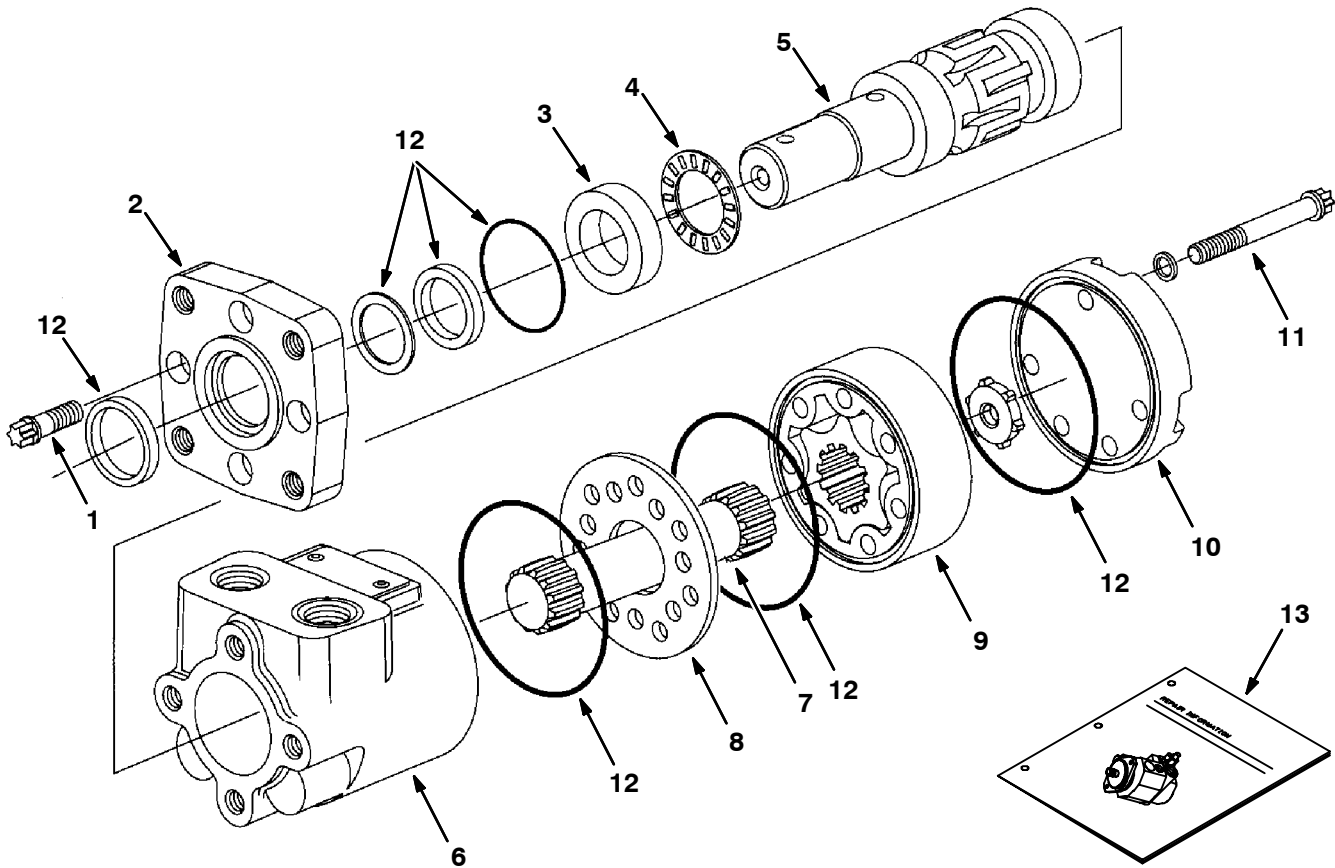


Fig. 13 - Hydraulic Motor Breakdown, 77406

	Ref.	Part No.	Serial Number	Description	Qty.
▽		77406	(000000-	) Motor, Hyd Gear IN 03.6 B 1500	1
▲	1	37555	(000000-	) Cap, Screw	4
▲	2	31354	(000000-	) Flange, Mounting	1
▲	3	16695	(000000-	) Race, Thrust	1
▲	4	45628	(000000-	) Thrust Bearing	1
▲	5	31373	(000000-	) Output Shaft Assembly	1
▲	6	74100	(000000-	) Housing CI	1
▲	7	31379	(000000-	) Drive CI	1
▲	8	74094	(000000-	) Spacer Plate CI	1
▲	9	27763	(000000-	) Gerotor Set	1
▲	10	65230	(000000-	) End Cap CI	1
▲	11	65241	(000000-	) Screw Cap CI	5
▲	12	61490	(000000-	) Seal Replmt Kit	1
	13	74250	(000000-	) Repair Info. CI	1

**Fig. 14 - Hydraulic Motor Breakdown, 375719**

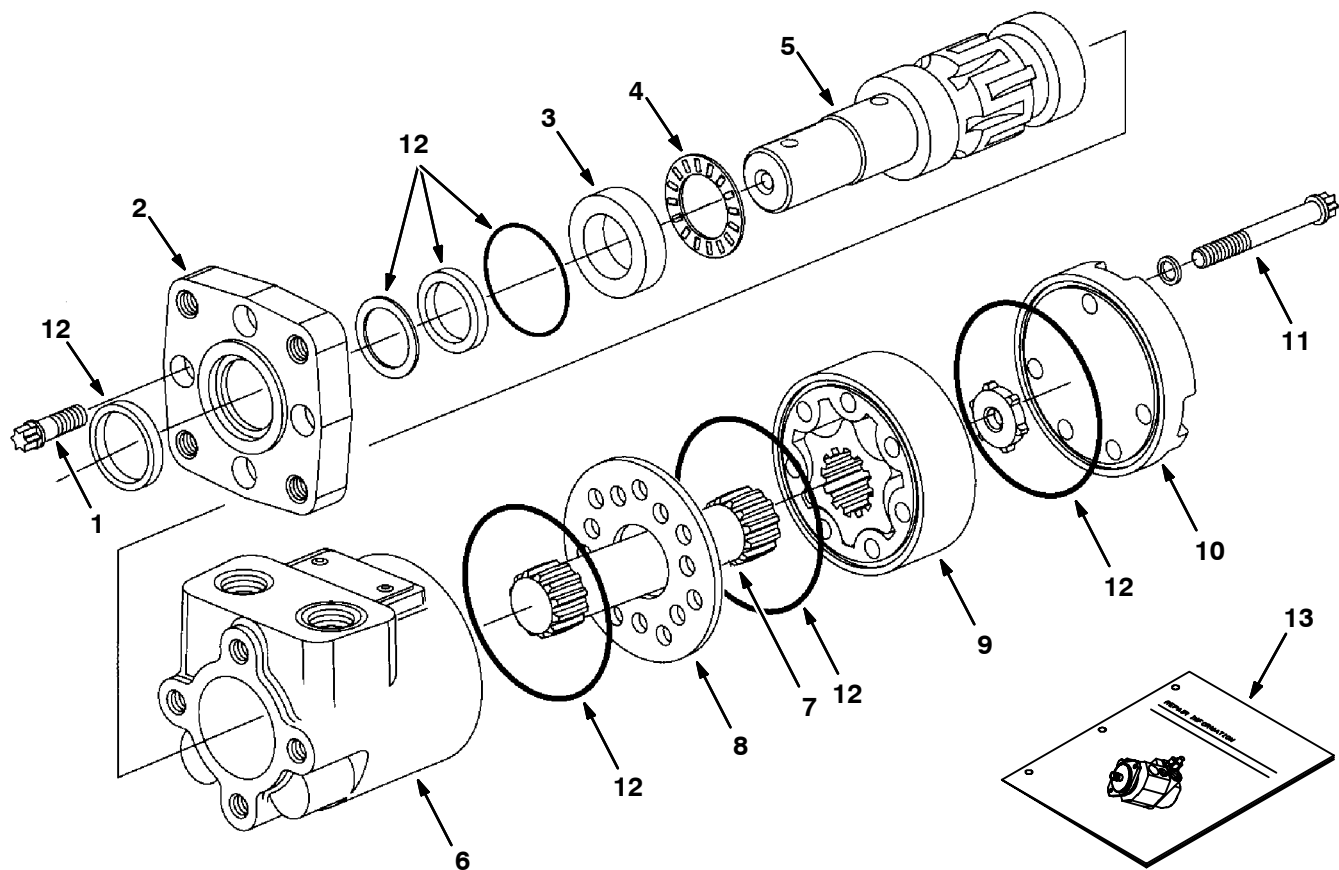


Fig. 14 - Hydraulic Motor Breakdown, 375719

	Ref.	Part No.	Serial Number	Description	Qty.
▽		375719	(000000-	) Motor, Hyd Gear	1
▲	1	37555	(000000-	) Cap, Screw	4
▲	2	31354	(000000-	) Flange, Mounting	1
▲	3	16695	(000000-	) Race, Thrust	1
▲	4	45628	(000000-	) Thrust Bearing	1
▲	5	31373	(000000-	) Output Shaft Assembly	1
▲	6	74100	(000000-	) Housing Cl	1
▲	7	34176	(000000-	) Drive, Motor, Hyd	1
▲	8	74094	(000000-	) Spacer Plate Cl	1
▲	9	65229	(000000-	) Gerotor Set	1
▲	10	65230	(000000-	) End Cap Cl	1
▲	11	74174	(000000-	) Screw Cap Cl	5
▲	12	22654	(000000-	) Seal Replmt Kit	1
	13	74250	(000000-	) Repair Info. Cl	1

**Fig. 15 - Hydraulic Motor Breakdown, 63426**

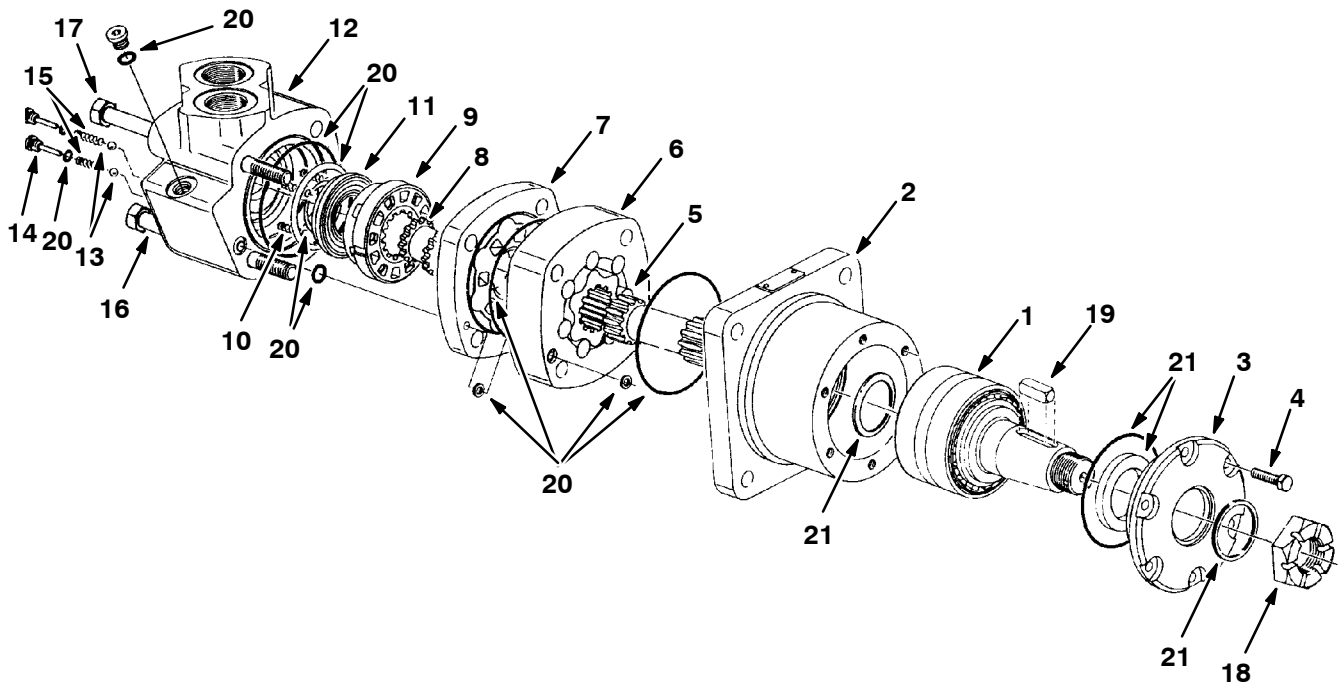




Fig. 15 - Hydraulic Motor Breakdown, 63426

	Ref.	Part No.	Serial Number	Description	Qty.
▽		63426	(000000-	) Motor, Propelling	1
▲	1	34180	(000000-	) Shaft and Brg	1
▲	2	74132	(000000-	) Housing, Brg	1
▲	3	74133	(000000-	) Retainer, Frt	1
▲	4	37943	(000000-	) Bolt	6
▲	5	34181	(000000-	) Drive	1
▲	6	34182	(000000-	) Gerotor Set	1
▲	7	34184	(000000-	) Valve Plate	1
▲	8	34183	(000000-	) Drive, Valve	1
▲	9	34185	(000000-	) Valve	1
▲	10	34178	(000000-	) Spring	3
▲	11	37723	(000000-	) Plate	1
▲	12	74134	(000000-	) Housing Assy	1
▲	13	37766	(000000-	) Ball	2
▲	14	74137	(000000-	) Plug Assembly	2
▲	15	34179	(000000-	) Spring	2
▲	16	74135	(000000-	) Screw, Cap	2
▲	17	74136	(000000-	) Screw, Cap	2
▲	18	45622	(000000-	) Nut	1
▲	19	45623	(000000-	) Key	1
▲	20	40380	(000000-	) Seal Kit, Motor	1
▲	21	65227	(000000-	) Seal Kit, Shaft	1

**Fig. 16 - Hydraulic Motor Breakdown, 22626**

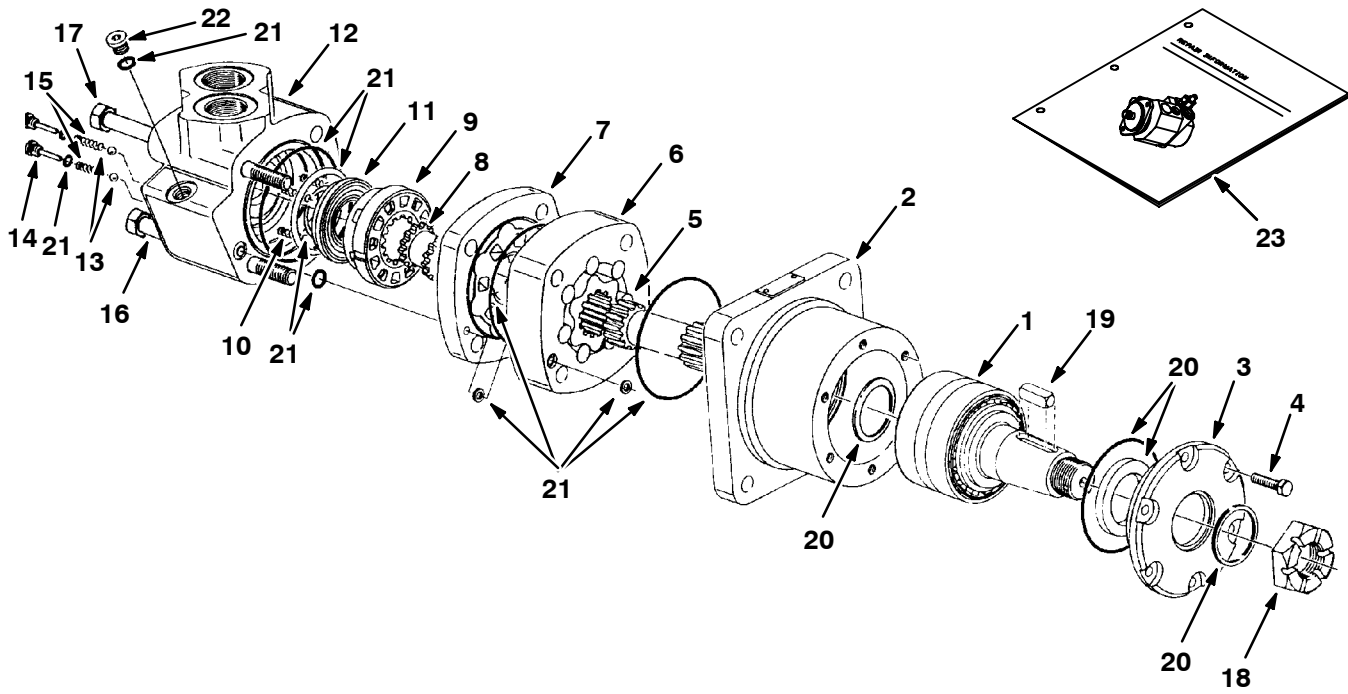


Fig. 16 - Hydraulic Motor Breakdown, 22626

	Ref.	Part No.	Serial Number	Description	Qty.
▽		22626	(000000-	) Motor, Propelling	1
▲	1	22629	(000000-	) Shaft and Brg	1
▲	2	22630	(000000-	) Housing, Brg	1
▲	3	22636	(000000-	) Retainer, Frt	1
▲	4	37943	(000000-	) Bolt	6
▲	5	34181	(000000-	) Drive	1
▲	6	74214	(000000-	) Gerotor Set	1
▲	7	34184	(000000-	) Valve Plate	1
▲	8	34183	(000000-	) Drive, Valve	1
▲	9	34185	(000000-	) Valve	1
▲	10	34178	(000000-	) Spring	3
▲	11	37723	(000000-	) Plate	1
▲	12	74134	(000000-	) Housing Assy	1
▲	13	37766	(000000-	) Ball	2
▲	14	74137	(000000-	) Plug Assembly	2
▲	15	34179	(000000-	) Spring	2
▲	16	74135	(000000-	) Screw, Cap	2
▲	17	74136	(000000-	) Screw, Cap	2
▲	18	45622	(000000-	) Nut	1
▲	19	45623	(000000-	) Key	1
▲▽	20	22645	(000000-	) Seal Kit, Shaft	1
▲▲	21	22646	(000000-	) Seal Kit, Motor	1
▲▲		74220	(000000-	) Seal Kit, Rear	1
▲	22	74098	(000000-	) Plug, O-Ring	1
	23	74246	(000000-	) Repair Info, Motor	1

**Fig. 17 - Hydraulic Motor Breakdown, 373464**

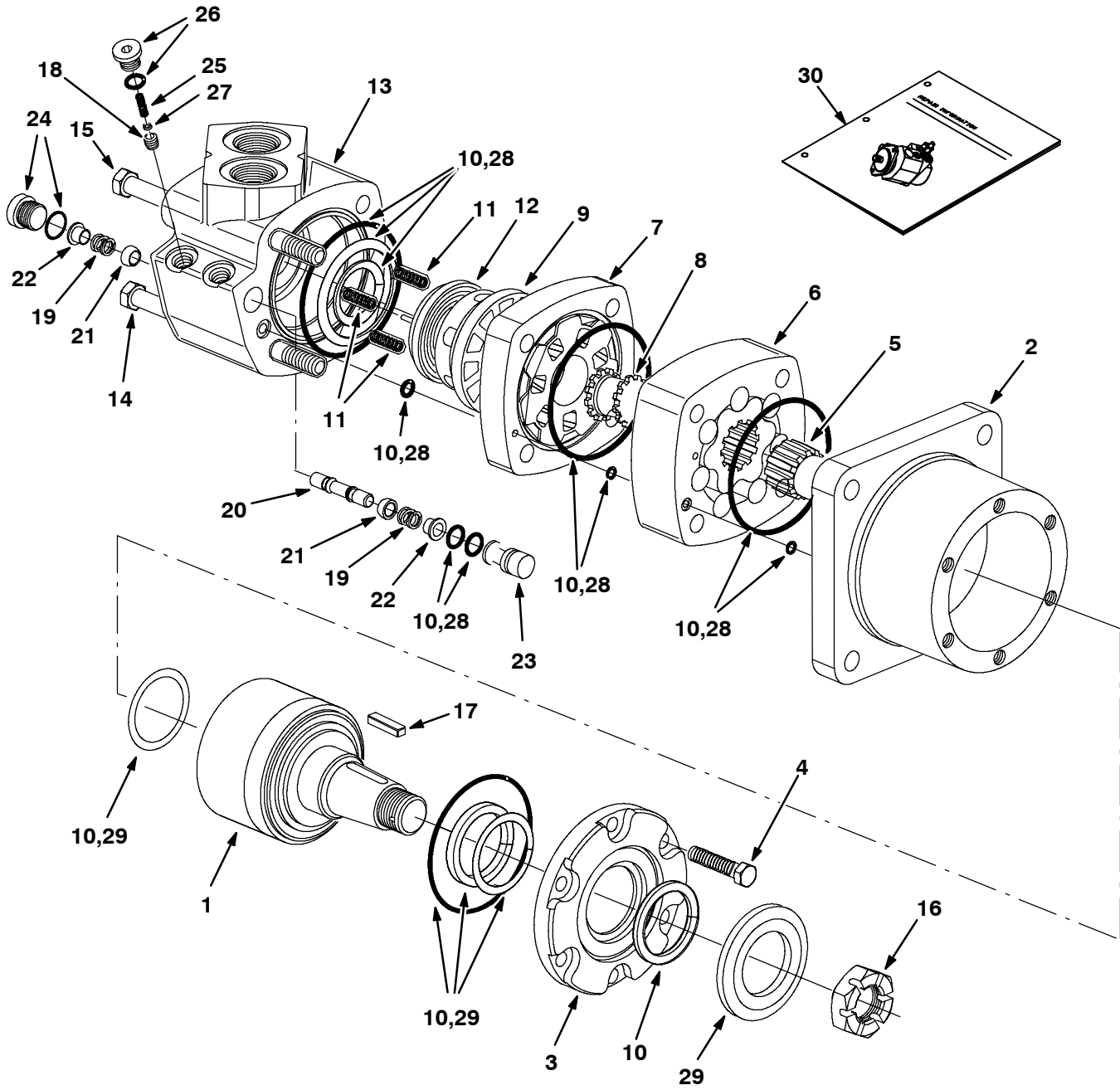
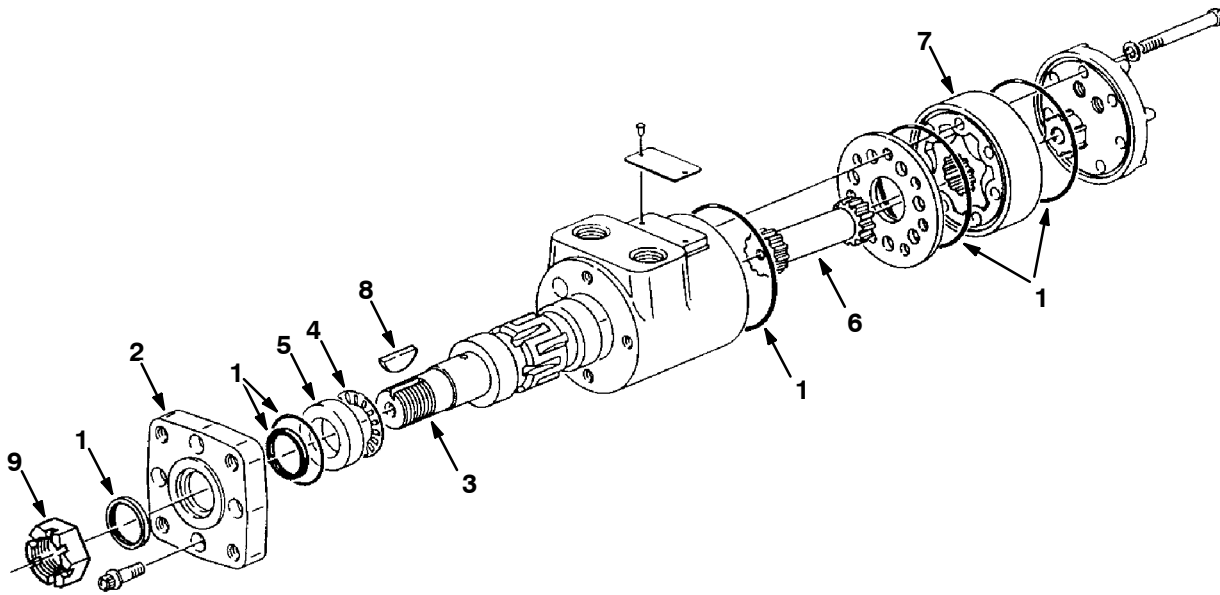


Fig. 17 - Hydraulic Motor Breakdown, 373464

Ref.	Part No.	Serial Number	Description	Qty.
▽	373464	(000000-	) Motor, Hyd, Gear, [In] 29.9 B 3000	1
▲	1 22629	(000000-	) Shaft, Motor, Hyd	1
▲	2 22630	(000000-	) Housing, Bearing, Motor, Hyd	1
▲	3 22636	(000000-	) Retainer, Front, Motor, Hyd	1
▲	4 37943	(000000-	) Bolt, Motor, Hyd	6
▲	5 34181	(000000-	) Drive, Motor, Hyd	1
▲	6 74214	(000000-	) Geroler Set, Motor, Hyd	1
▲	7 34184	(000000-	) Plate, Valve, Motor, Hyd	1
▲	8 34183	(000000-	) Valve, Drive, Motor, Hyd	1
▲	9 373541	(000000-	) Valve	1
▲	10 22646	(000000-	) Kit, Seal, Motor, Hyd	1
▲	11 34178	(000000-	) Spring, Motor, Hyd	3
▲	12 37723	(000000-	) Plate, Motor, Hyd	1
▲	13 373549	(000000-	) Housing, Valve	1
▲	14 74135	(000000-	) Screw, Cap, Motor, Hyd	2
▲	15 74136	(000000-	) Screw, Cap, Motor, Hyd	2
▲	16 45622	(000000-	) Nut, Motor, Hyd	1
▲	17 45623	(000000-	) Key, Motor, Hyd	1
▲	18 373542	(000000-	) Poppet	1
▲	19 373291	(000000-	) Spring	2
▲	20 373543	(000000-	) Piston	1
▲	21 373226	(000000-	) Poppet, Pump, Hyd, Gear	2
▲	22 373236	(000000-	) Sleeve, Dashpo, Pump, Hyd, Gear	2
▲	23 373544	(000000-	) Plug	1
▲	24 373545	(000000-	) Plug Assy	1
▲	25 373546	(000000-	) Spring	1
▲	26 373547	(000000-	) Plug Assy	1
▲	27 373548	(000000-	) Shim	1
▲	28 74220	(000000-	) Kit, Seal, Hyd, Motor	1
▲	29 22645	(000000-	) Kit, Seal, Motor, Hyd	1
	30 74246	(000000-	) Repair Info,Mtr Cl	1

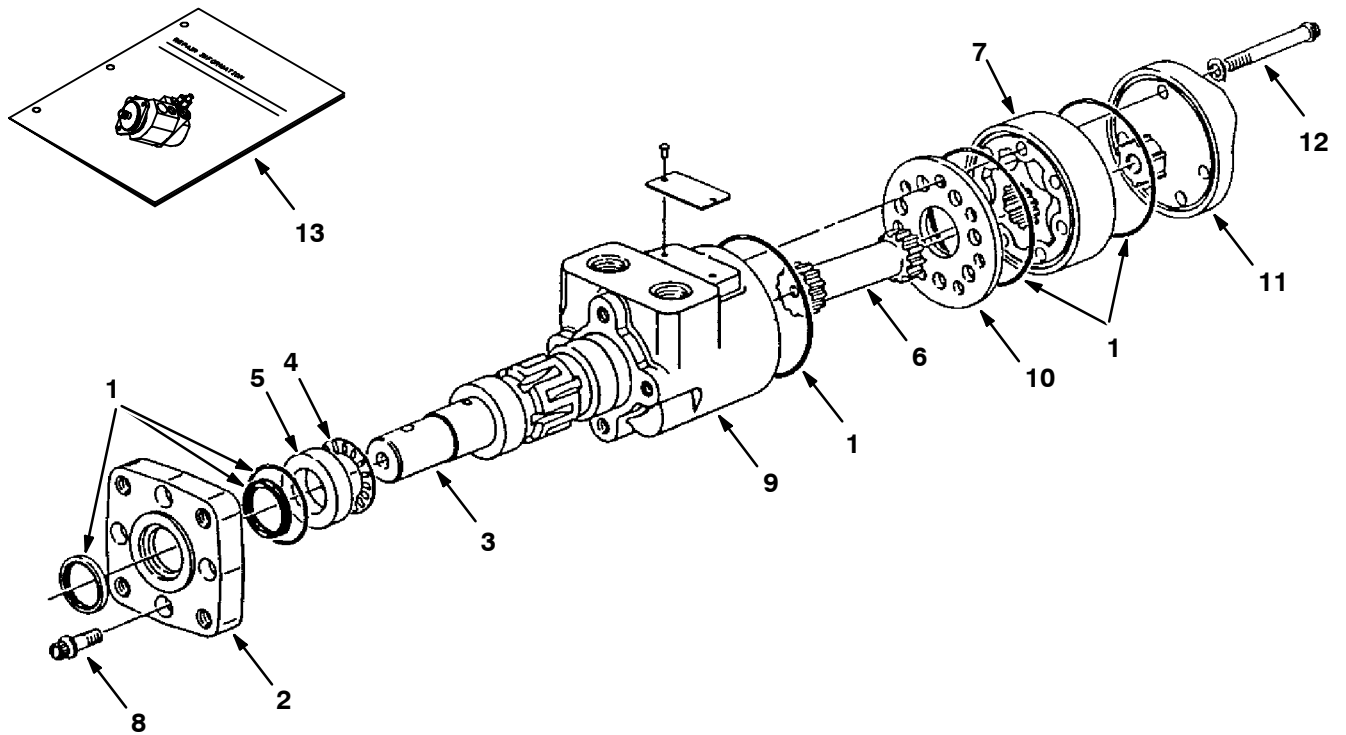
**Fig. 18 - Hydraulic Motor Breakdown, 62563**



05348 - ALL

Ref.	Part No.	Serial Number	Description	Qty.
▽	62563	(000000-	) Motor, Hydraulic	1
▲	1 61490	(000000-	) Seal Kit	1
▲	2 31354	(000000-	) Flange, Mounting	1
▲	3 31375	(000000-	) Shaft	1
▲	4 45628	(000000-	) Bearing	1
▲	5 16695	(000000-	) Race, Thrust	1
▲	6 34176	(000000-	) Drive	1
▲	7 27763	(000000-	) Gerotor Set	1
▲	8 00500-15	(000000-	) Key, Woodruff	1
▲	9 39527	(000000-	) Nut, slotted Hex	1

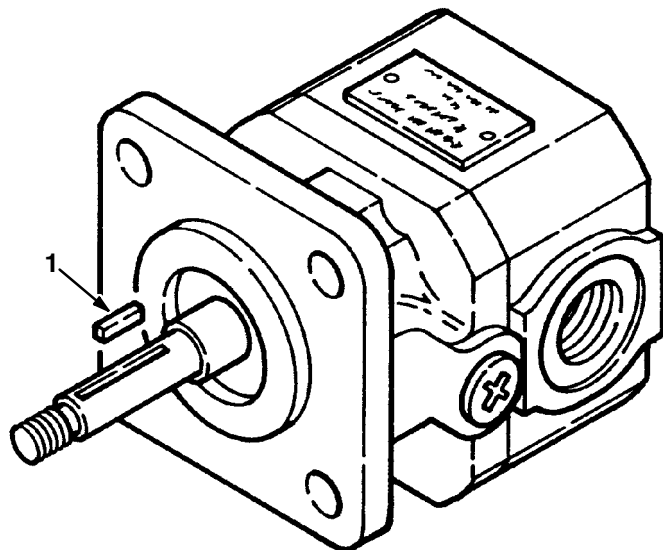
**Fig. 19 - Hydraulic Motor Breakdown, 79781**



07716,09670 - ALL

Ref.	Part No.	Serial Number	Description	Qty.
▽	79781	(000000-	) Motor, Hydraulic	1
▲	1 61490	(000000-	) Seal Kit	1
▲	2 79782	(000000-	) Flange, Mounting	1
▲	3 16694	(000000-	) Shaft	1
▲	4 45628	(000000-	) Bearing Thrust	1
▲	5 16695	(000000-	) Race, Thrust	1
▲	6 31380	(000000-	) Drive	1
▲	7 31385	(000000-	) Gerotor Set	1
▲	8 37555	(000000-	) Screw	4
▲	9 74100	(000000-	) Housing	1
▲	10 74094	(000000-	) Spacer Plate	1
▲	11 74101	(000000-	) End Cap	1
▲	12 65232	(000000-	) Cap Screw	5
▲	13 74250	(000000-	) Repair Info, Motor	1

**Fig. 20 - Hydraulic Motor Breakdown, 19117**

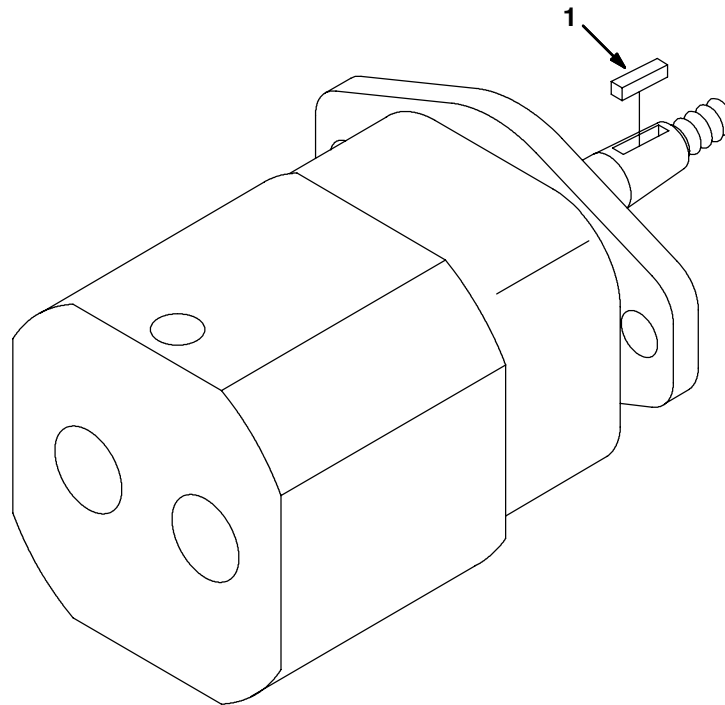


05190 - ALL

	<b>Ref.</b>	<b>Part No.</b>	<b>Serial Number</b>	<b>Description</b>	<b>Qty.</b>
▽		19117	(000000- )	Motor, Hydraulic	1
▲	1	00954	(000000- )	Key	1
▲		74233	(000000- )	Seal Kit	1



**Fig. 21 - Hydraulic Motor Breakdown, 63542**



10556 - ALL

	<b>Ref.</b>	<b>Part No.</b>	<b>Serial Number</b>	<b>Description</b>	<b>Qty.</b>
▽		63542	(000000-	) Motor, Hydraulic	1
▲	1	00960	(000000-	) Key, Square 0.12 0.12 00.50 LG	1
▲		74233	(000000-	) Seal Kit, Hyd Mtr Gear	1

**Fig. 22 - Hydraulic Steering Valve Breakdown, 65242**

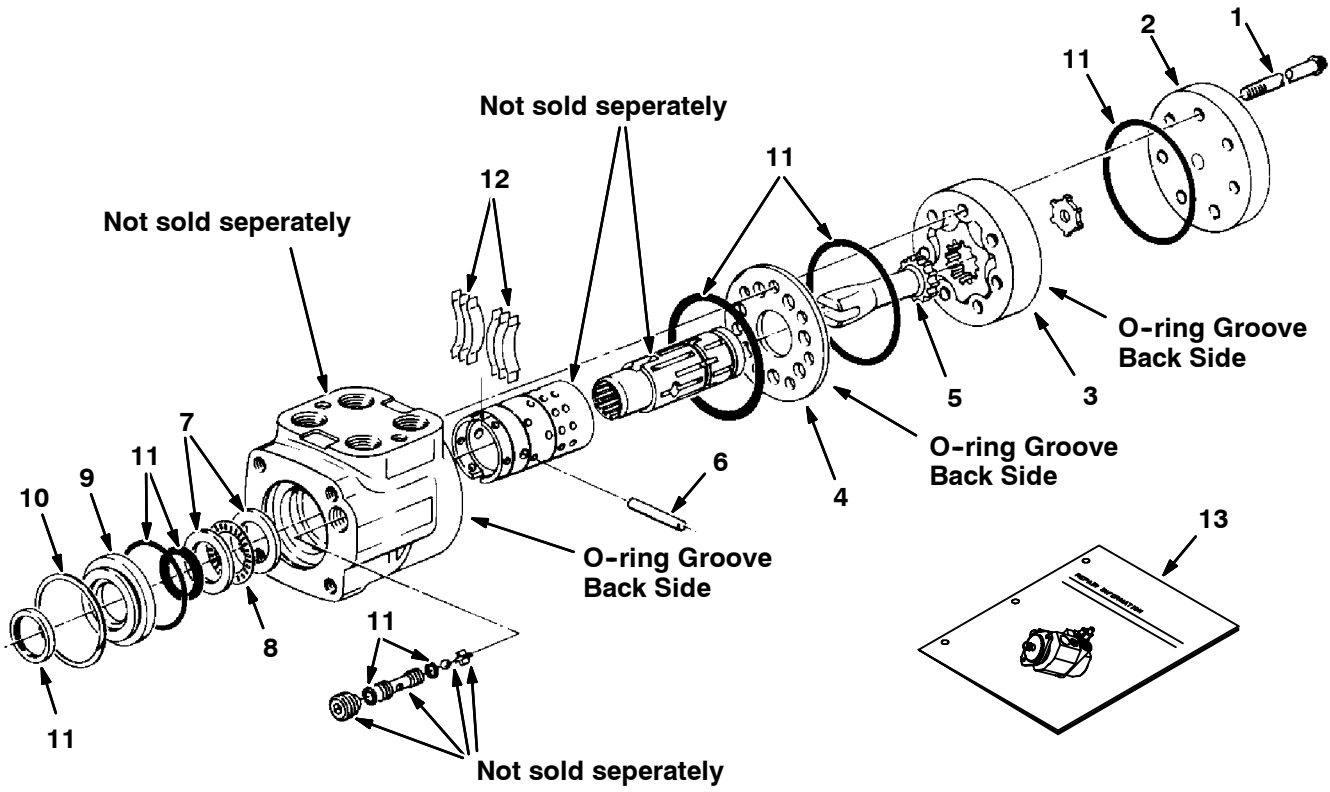
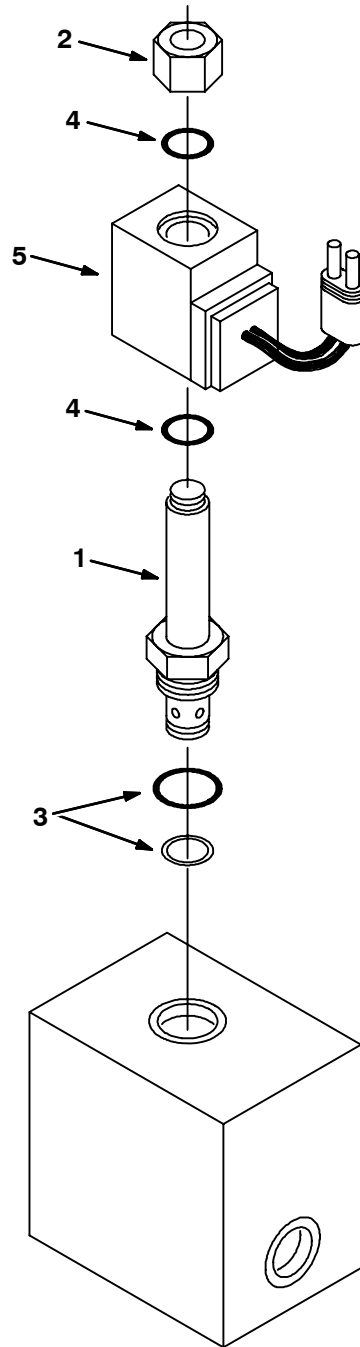


Fig. 22 - Hydraulic Steering Valve Breakdown, 65242

	Ref.	Part No.	Serial Number	Description	Qty.
▽		65242	(000000-	) Steer Control Hyd#4 04.5 1300	1
▲	1	74174	(000000-	) Cap, Screw	6
▲	2	74194	(000000-	) Cap, End	1
▲	3	65235	(000000-	) Gerotor Set Cl	1
▲	4	74182	(000000-	) Plate, Wear	1
▲	5	58596	(000000-	) Drive	1
▲	6	74218	(000000-	) Pin	1
▲	7	74109	(000000-	) Race, Bearing	2
▲	8	74110	(000000-	) Bearing, Needle	1
▲	9	74112	(000000-	) Bushing, Seal	1
▲	10	74111	(000000-	) Ring, Retainer	1
▲	11	74190	(000000-	) Seal Kit, Scu	1
▲	12	74195	(000000-	) Spring Kit	1
	13	74251	(000000-	) Repair Info,Scu Cl	1

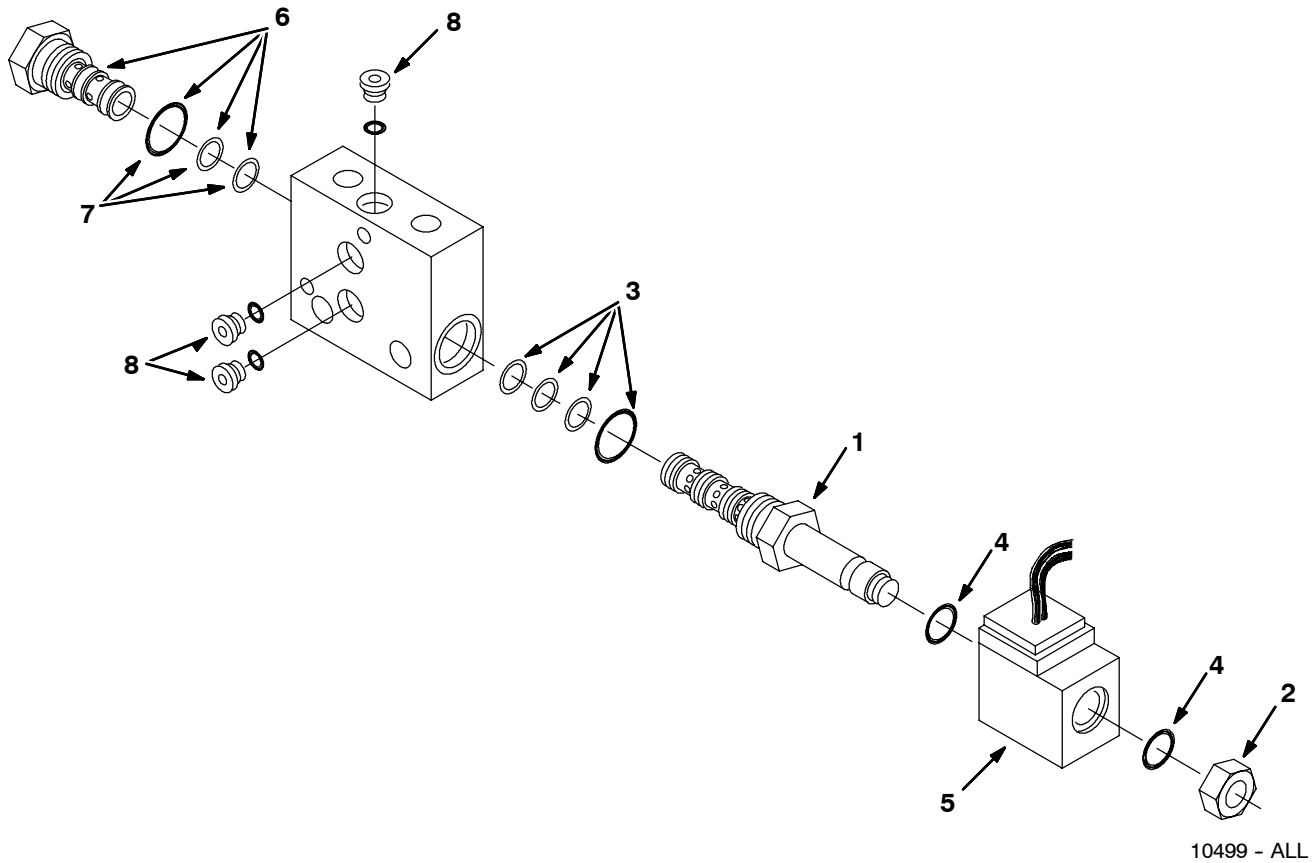
**Fig. 23 - Hydraulic Solenoid Valve Breakdown, 84015**



07639 - ALL

Ref.	Part No.	Serial Number	Description	Qty.
▽	84015	(000000-	) Valve - Hyd., Solenoid	1
▲▽	1 79739	(000000-	) Valve Stem, N.D.	1
▲▲	2 79731	(000000-	) Nut, Cart., LNG.	1
▲▲	3 79711	(000000-	) Seal Kit, Cart.	1
▲▲	4 79740	(000000-	) Seal Kit, Coil	1
▲	5 21917	(000000-	) Coil, 12V W/Var	1

**Fig. 24 - Hydraulic Solenoid Valve Breakdown, 84016**



Ref.	Part No.	Serial Number	Description	Qty.
▽	84016	(000000-	) Valve, Hyd Control Solenoid	1
▲▽	1 79719	(000000-	) Valve Stem 4W2P	1
▲▲	2 79728	(000000-	) Nut, Cart., Sht	1
▲▲	3 79711	(000000-	) Seal Kit, Cart	1
▲▲	4 79740	(000000-	) Seal Kit, Coil	1
▲	5 21917	(000000-	) Coil, 12V W/Var	1
▲▽	6 74145	(000000-	) Cart, Pilot Cntr	1
▲▲	7 79711	(000000-	) Seal Kit, Cart	1
▲	8 13902	(000000-	) Plug, #2 O-Ring	3

Fig. 25 - Hydraulic Valve Breakdown, 375563

CONTROL VALVE	
Spool #1	Hopper Lift
Spool #2	Hopper Dump
Spool #3	Hopper Door

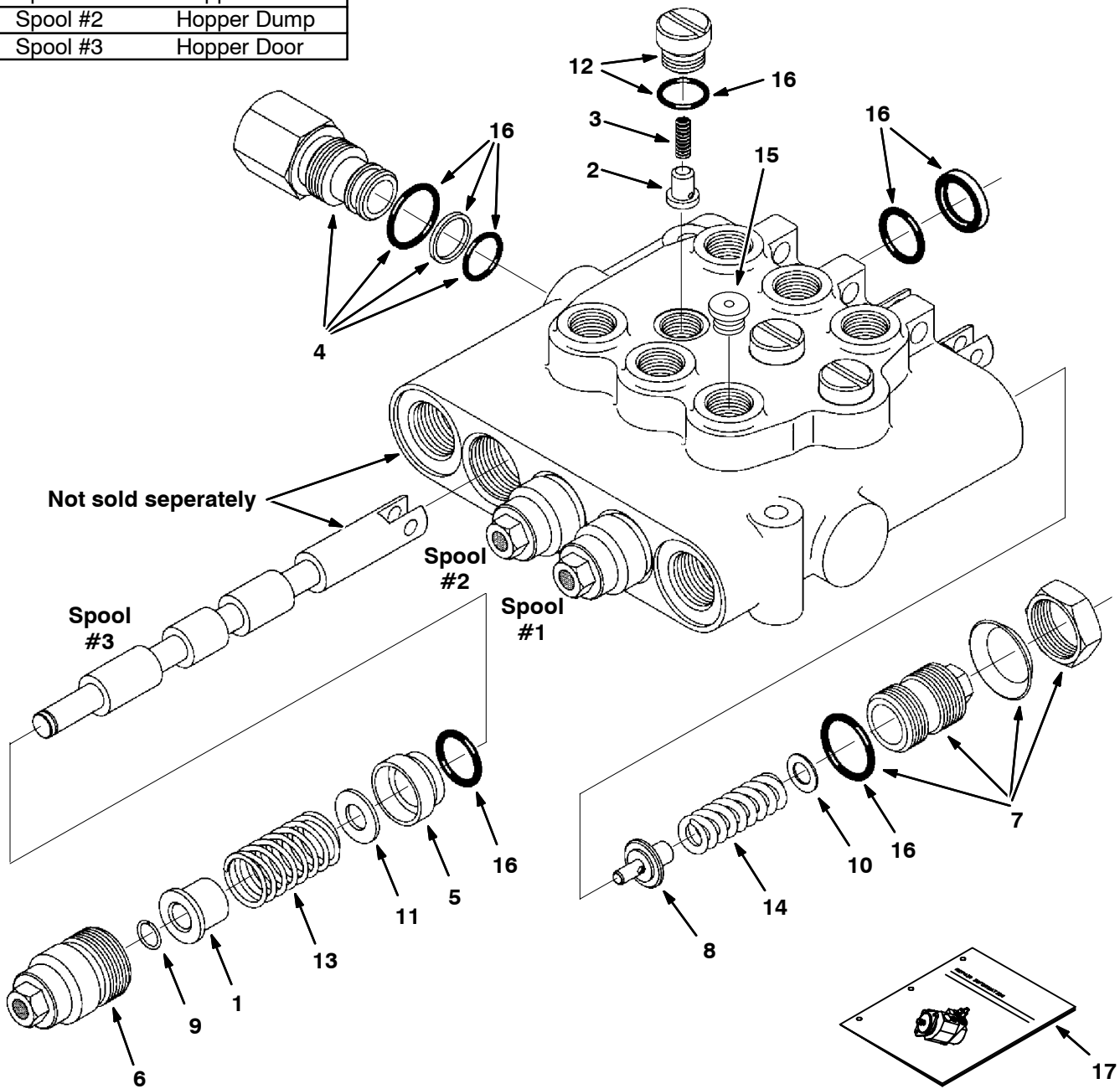


Fig. 25 - Hydraulic Solenoid Valve Breakdown, 375563

	Ref.	Part No.	Serial Number	Description	Qty.
▽		375563	(000000-	) Valve, Hyd Control Man	1
▲	1	79822	(000000-	) Spacer En	3
▲	2	79786	(000000-	) Plunger En	3
▲	3	79787	(000000-	) Spring En	3
▲	4	79823	(000000-	) Plug Assy,Byd En	1
▲	5	79788	(000000-	) Bushing En	3
▲	6	79789	(000000-	) Cap Assembly En	3
▲	7	79790	(000000-	) Plug Assembly En	1
▲	8	79791	(000000-	) Poppet En	1
▲	9	79792	(000000-	) Retaining Rng En	3
▲	10	79793	(000000-	) Shim .035 Thk En	1
▲	10	79798	(000000-	) Shim .015 Thk En	1
▲	10	79799	(000000-	) Shim .010 Thk En	1
▲	11	79794	(000000-	) Washer En	3
▲	12	79795	(000000-	) Plug & O-Ring En	3
▲	13	79824	(000000-	) Spring En	3
▲	14	79797	(000000-	) Spring En	1
▲	15	13904	(000000-	) Plug Gage #6	1
▲	16	79812	(000000-	) Seal Kit, Vlv En	1
▲	17	79820	(000000-	) Instr. Valve Repair Info	1

**Fig. 26 - Hydraulic Solenoid Valve Breakdown, 84013**

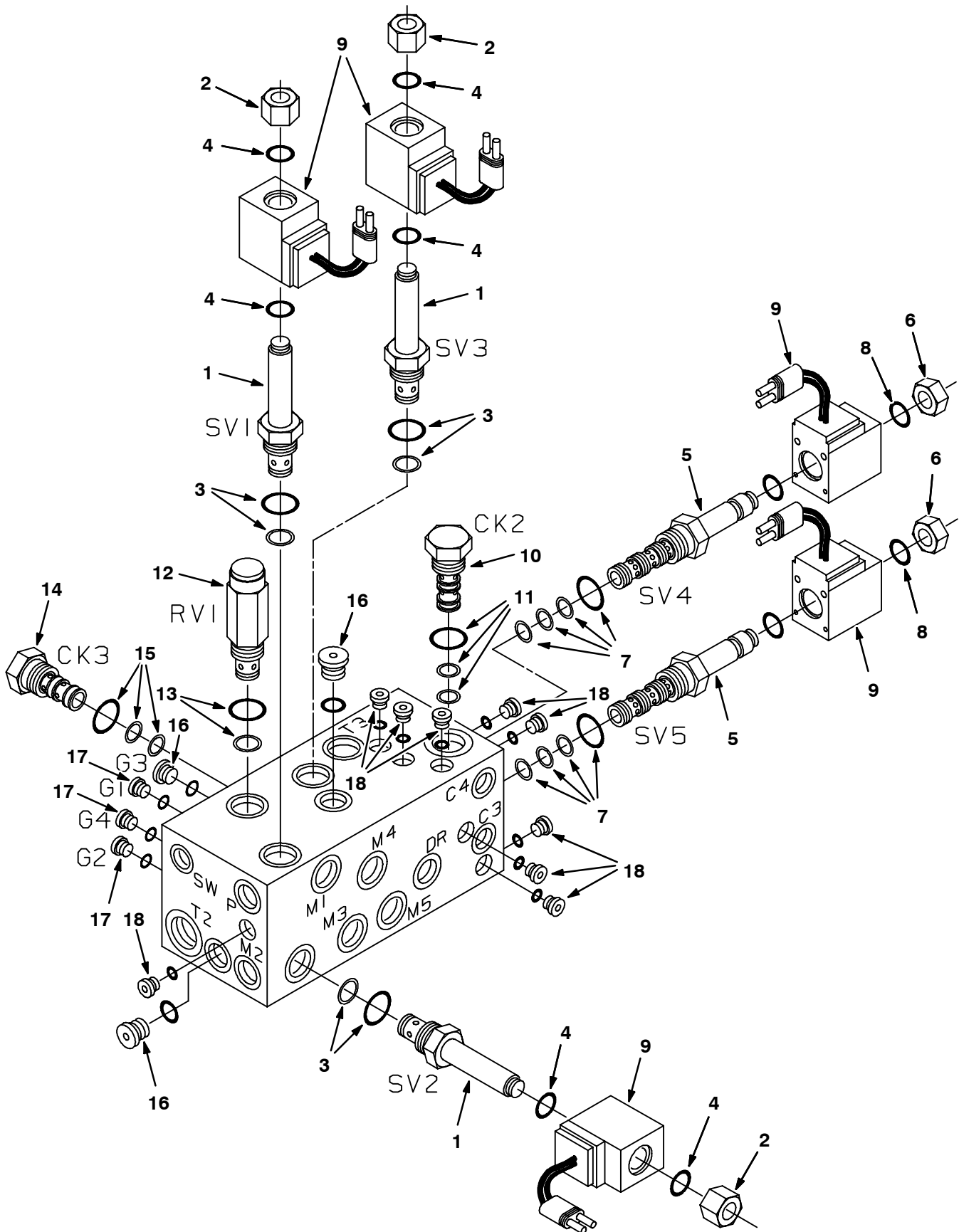
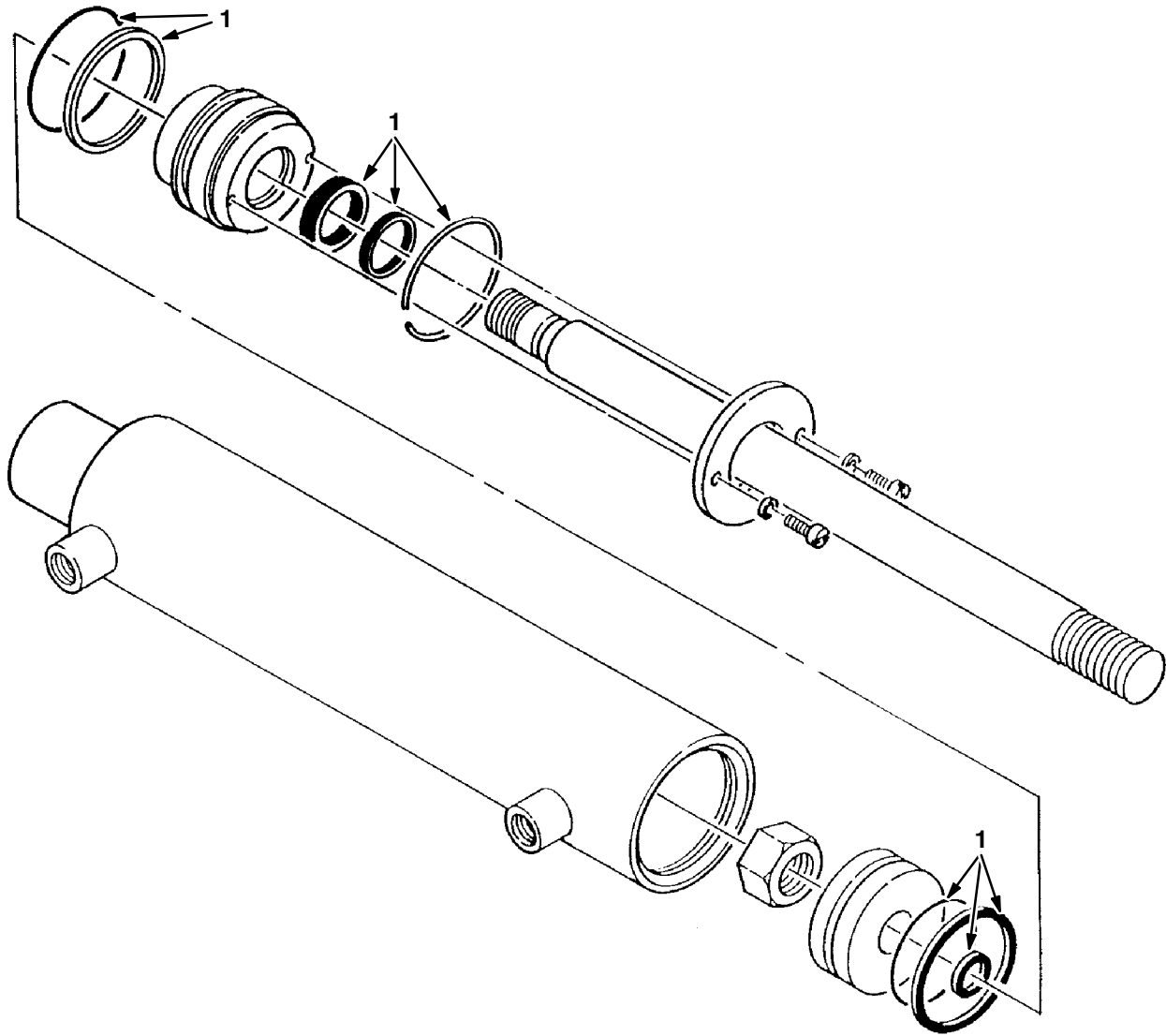




Fig. 26 - Hydraulic Solenoid Valve Breakdown, 84013

	Ref.	Part No.	Serial Number	Description	Qty.
▽		84013	(000000-	) Valve-Hyd, Cntl Solenoid	1
▲▽	1	79739	(000000-	) Valve Stem N.O. CP	3
▲▲	2	79731	(000000-	) Nut, Cart., LNG CP	1
▲▲	3	79711	(000000-	) Seal Kit, Cart. CP	1
▲▲	4	79740	(000000-	) Seal Kit, COil CP	1
▲▽	5	79719	(000000-	) Valve Stem 4W2P CP	2
▲▲	6	79728	(000000-	) Nut, Cart., SHT CP	1
▲▲	7	79711	(000000-	) Seal Kit, Cart. CP	1
▲▲	8	79740	(000000-	) Seal Kit, COil CP	1
▲	9	21917	(000000-	) Coil 12V CP	5
▲▽	10	74145	(000000-	) Cart., Pilot CNTR CP	1
▲▲	11	79711	(000000-	) Seal Kit, Cart. CP	1
▲▽	12	65240	(000000-	) Cart., PSI CN CP	1
▲▲	13	79711	(000000-	) Seal Kit, Cart. CP	1
▲▽	14	74146	(000000-	) Cart., Check Valve CP	1
▲▲	15	79711	(000000-	) Seal Kit, Cart. CP	1
▲	16	13904	(000000-	) Plug Gage #6	3
▲	17	74098	(000000-	) Plug Gage #4	3
▲	18	13902	(000000-	) Plug #2	10

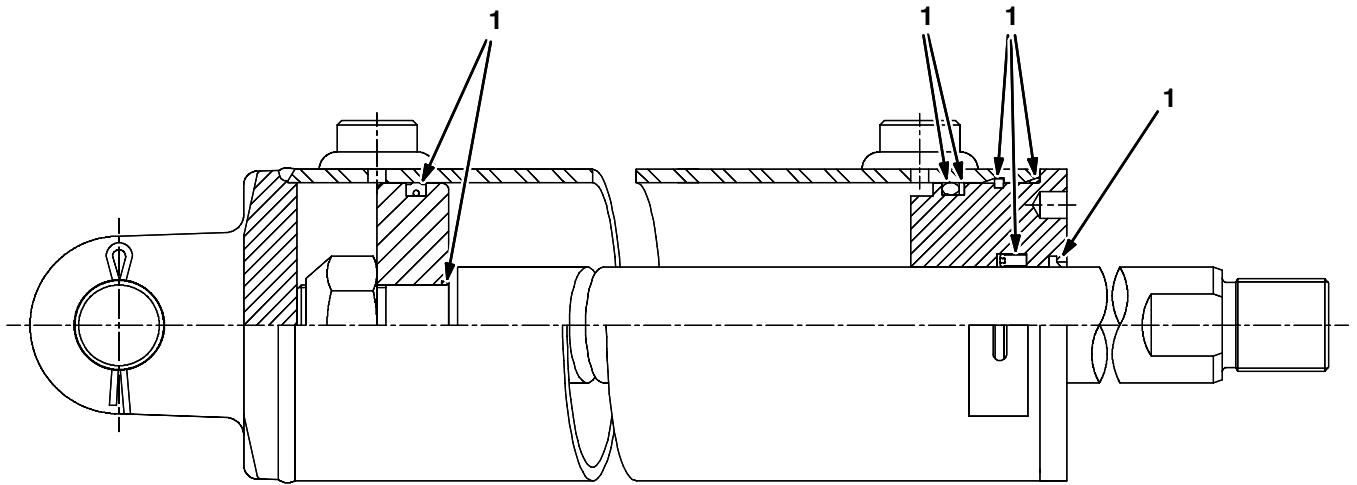
**Fig. 27 - Hydraulic Cylinder Breakdown, 53601**



07494 - ALL

	<b>Ref.</b>	<b>Part No.</b>	<b>Serial Number</b>	<b>Description</b>	<b>Qty.</b>
▽		53601	(000000- )	Cylinder, Hyd, 2.0b,15.0l, Rep.By1028492	1
▲	1	04483	(000000- )	Seal Kit	1

**Fig. 28 - Hydraulic Cylinder Breakdown, 1026719**



354486 - ALL

	<b>Ref.</b>	<b>Part No.</b>	<b>Serial Number</b>	<b>Description</b>	<b>Qty.</b>
▽		1026719	(000000-	) Cylinder, Hyd, 4.0b 29.1l 14.50strk 2500	1
▲	1	9001702	(000000-	) Seal Kit, Cyl, Hyd	1

Fig. 29 - Cab Assembly

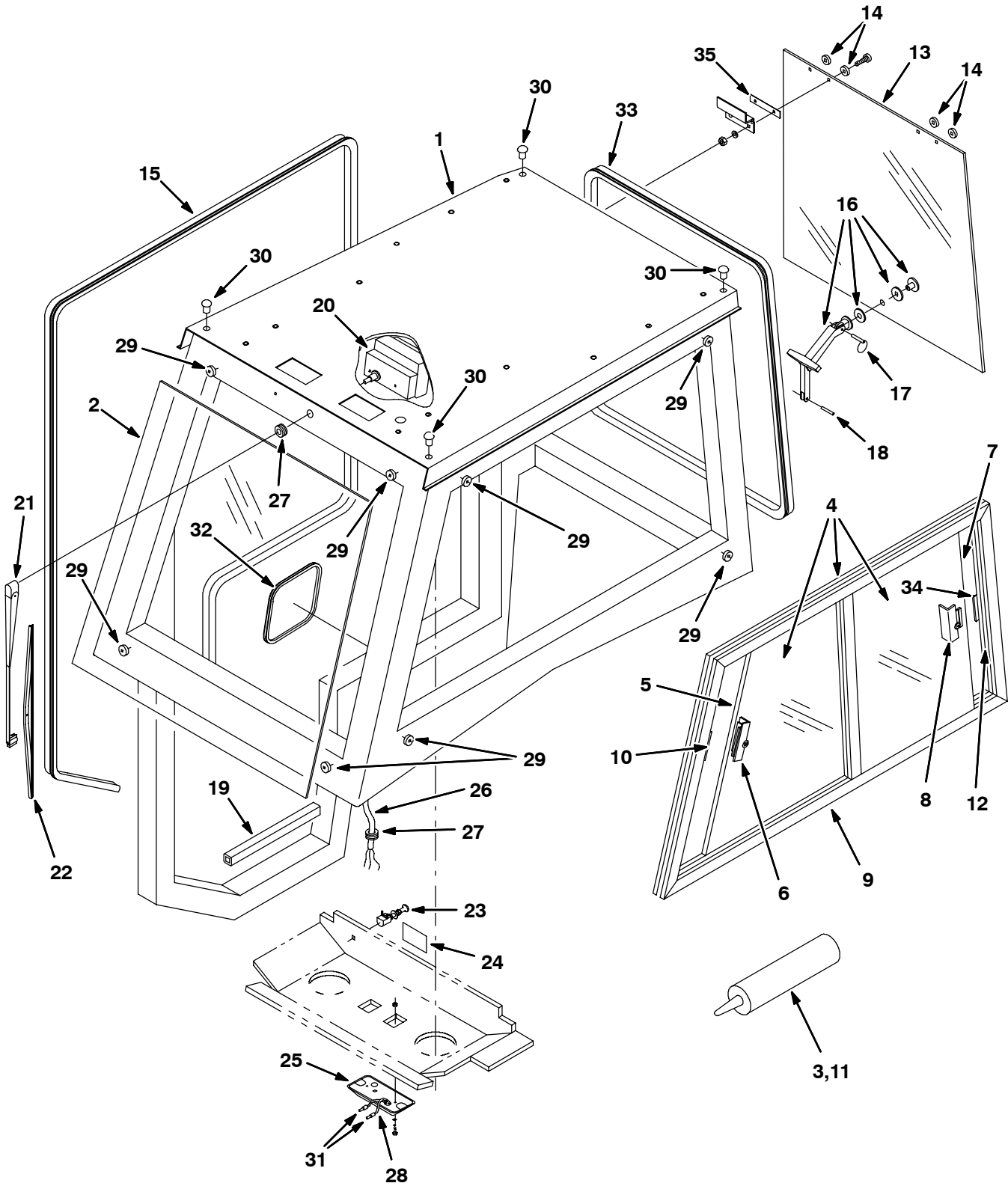
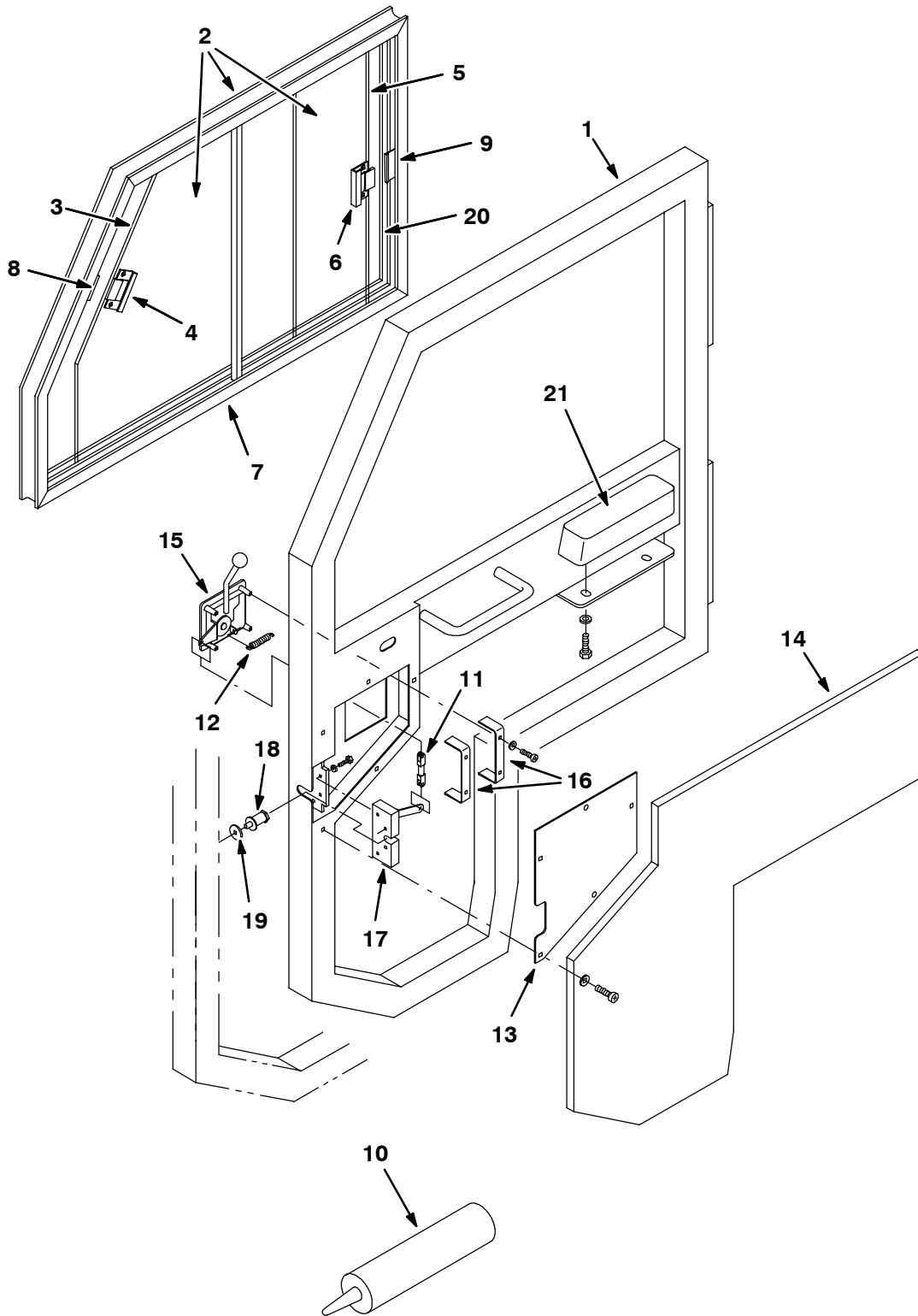


Fig. 29 - Cab Assembly

NOTE: The Cab Assembly, TENNANT Part Number 380602 includes Fig. 29, Fig. 30, Fig. 31, and .Fig. 32

Ref.	Part No.	Serial Number	Description	Qty.
	1	380732	(000000- ) Cab Assy, W/Label (Gas)	1
	1	374758	(000000- ) Cab Assy, W/Label (LPG)	1
▽	2	75822	(000000- ) Pane, Glass, Windshield	1
▲	3	374769	(000000- ) Adhesive	1
▽	4	75823	(000000- ) Pane Assy, Glass, Sliding, Cab Lh	1
▲▽	5	21307	(000000- ) Pane, Glass, Cab, Front	1
▲▲	6	374750	(000000- ) Latch, Pane, Cab	1
▲▽	7	21308	(000000- ) Pane, Glass, Cab, Rear	1
▲▲	8	374750	(000000- ) Latch, Pane, Cab	1
▲▽	9	21309	(000000- ) Frame, Pane, Cab, Side	1
▲▲	10	374765	(000000- ) Keeper, Latch, Pane	1
▲	11	374769	(000000- ) Adhesive	1
	12	21310	(000000- ) Seal Kit, Pane, Cab	1
	13	75824	(000000- ) Pane, Glass, Cab, Rear	1
	14	75825	(000000- ) Spacer, Pane, Glass	5
	15	76948	(000000- ) Gasket, Push On	2
	16	76950	(000000- ) Latch, Rear Wind	1
	17	76971	(000000- ) Ring, Rear Window	1
	18	380708	(000000- ) Drive Pin, .31	1
	19	76973	(000000- ) Seal Cw	1
	20	76977	(000000- ) Motor, Wiper 12V	1
	21	76980	(000000- ) Arm, Rear Wiper	1
	22	76982	(000000- ) Blade Arm, Rear	1
	23	76985	(000000- ) Switch, Wiper Motor	1
	24	380694	(000000- ) Label, Wiper	1
▽	25	76996	(000000- ) Light, Dome 12V	1
▲		374759	(000000- ) Lamp	1
	26	380577	(000000- ) Harness, Cab (See Fig. 32)	1
	27	77811	(000000- ) Grommet	2
	28	77812	(000000- ) Wire, Dome Light	2
	29	77813	(000000- ) Spacer	8
	30	77814	(000000- ) Closure	4
	31	77815	(000000- ) Disconnect, Male	2
	32	380692	(000000- ) Molding, Trim (Gasoline only)	1
	33	380695	(000000- ) Seal, Rear Window	1
	34	374294	(000000- ) Latch, Keeper, Pane [J-dak]	1
	35	374357	(000000- ) Seal, Hinge, Cab Rear Glass [800]	2

**Fig. 30 - Cab Door Assembly**

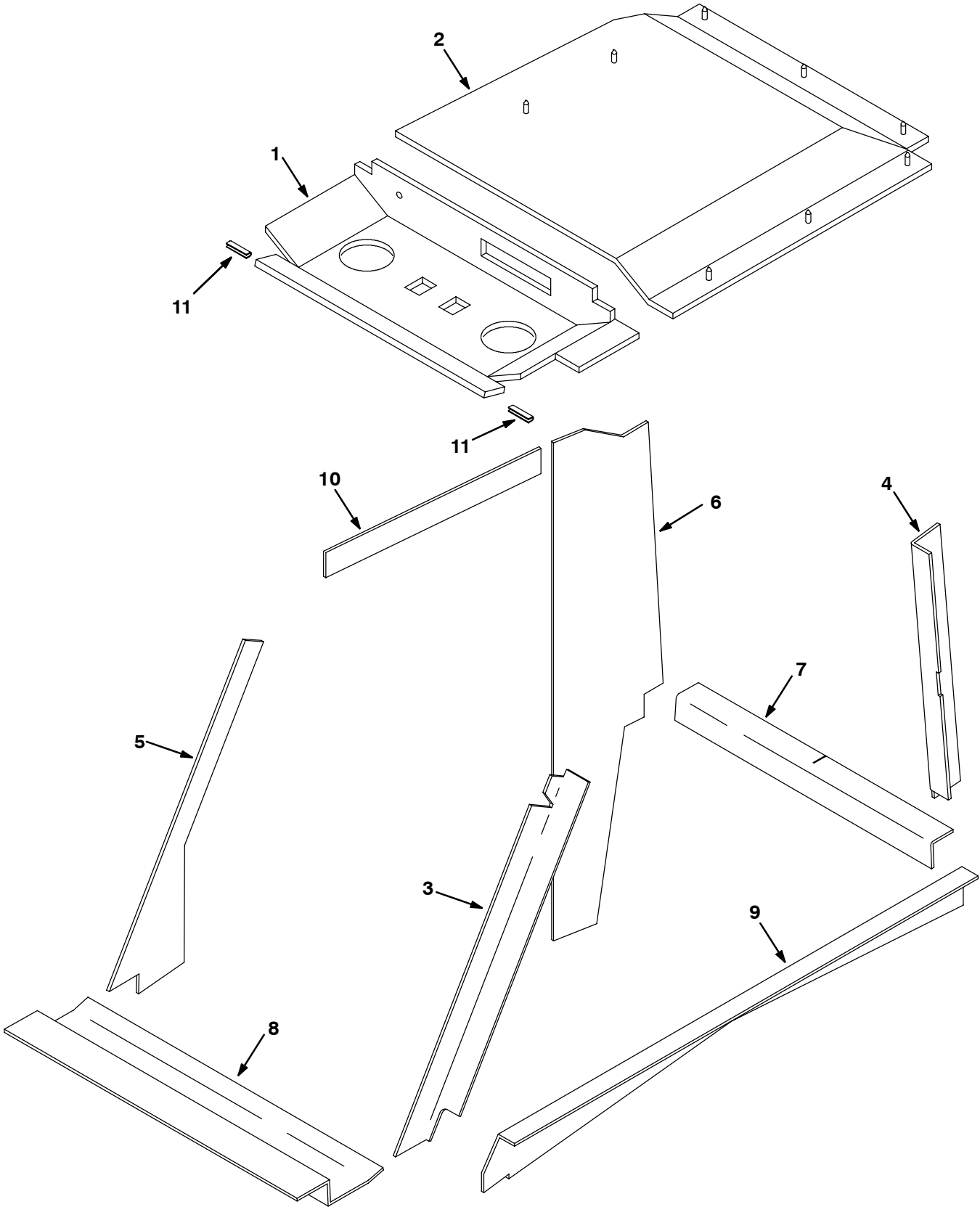


**Fig. 30 - Cab Door Assembly**

NOTE: The Cab Assembly, TENNANT Part Number 380602 includes Fig. 29, Fig. 30, Fig. 31, and .Fig. 32

	Ref.	Part No.	Serial Number	Description	Qty.
▽		75821	(000000-	) Door Assembly, Cab	1
▲	1	77816	(000000-	) Door Cw	1
▲▽	2	77817	(000000-	) Pane Assy, Glass, Sliding, Cab, Door	1
▲▲	3	21311	(000000-	) Pane, Glass, Door Front	1
▲▲	4	374750	(000000-	) Latch, Pane, Cab	1
▲▲	5	21312	(000000-	) Pane, Glass, Door, Rear	1
▲▲	6	374750	(000000-	) Latch, Pane, Cab	1
▲▲	7	21313	(000000-	) Frame, Pane, Door, Side	1
▲▲	8	374765	(000000-	) Keeper, Latch, Pane	1
▲▲	9	374294	(000000-	) Latch, Keeper, Pane [J-dak]	1
▲▲	10	374769	(000000-	) Adhesive	1
▲	11	77821	(000000-	) Link, Connecting	1
▲	12	77822	(000000-	) Pin Assy, Spring	2
▲	13	77823	(000000-	) Plate	1
▲	14	77824	(000000-	) Foam, Door	1
▲▽	15	77818	(000000-	) Paddle Handle	1
▲▲		21150	(000000-	) Key Set	1
▲	16	77819	(000000-	) Bracket	2
▲	17	77820	(000000-	) Clam Latch	1
	18	58490	(000000-	) Pin, Latch	1
	19	76976	(000000-	) Shim	2
	20	374757	(000000-	) Seal Kit, Pane, Door	1
	21	311336	(000000-	) Armrest, Black	1

**Fig. 31 - Cab Insulation Group**



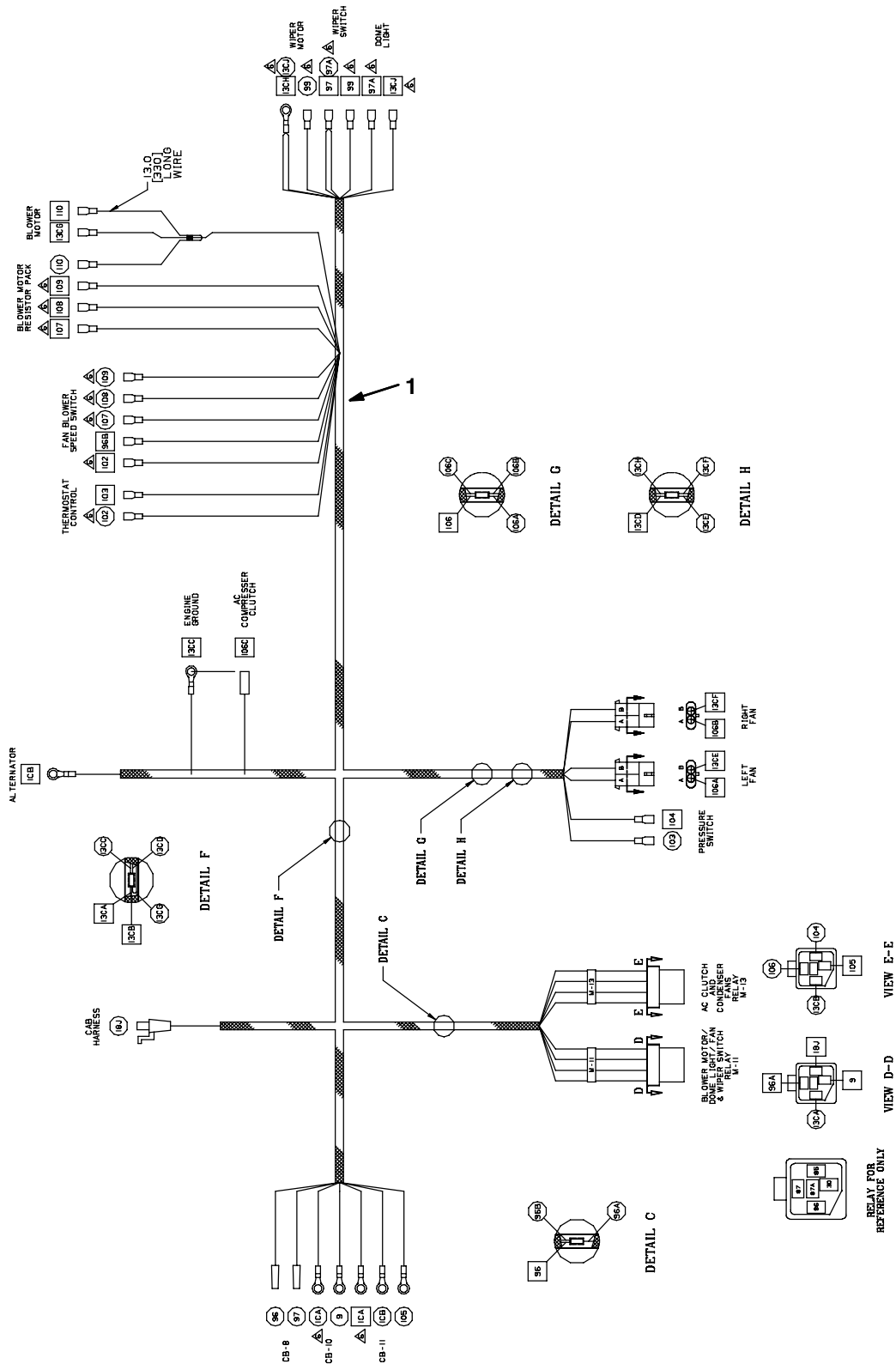


**Fig. 31 - Cab Insulation Group**

NOTE: The Cab Assembly, TENNANT Part Number 380602 includes Fig. 29, Fig. 30, Fig. 31, and .Fig. 32

Ref.	Part No.	Serial Number	Description	Qty.
1	77800	(000000-	) Headliner, Front	1
2	77801	(000000-	) Headliner, Rear Cw	1
3	77802	(000000-	) Foam, Lh Front Pos	1
4	77803	(000000-	) Foam, Lh Rear Pos	1
5	77804	(000000-	) Foam, Rh Front Pos	1
6	77805	(000000-	) Foam, Rh Rear Pos	1
7	77806	(000000-	) Foam, Rear Sill	1
8	77807	(000000-	) Foam, Front Sill	1
9	77808	(000000-	) Foam, Lh Side Sill	1
10	77809	(000000-	) Foam, Rh Upper Sill	1
11	384156	(000000-	) Molding, Trim, Pvc,.18-.31 01.5l	2

**Fig. 32 - Cab Wire Harness Group**

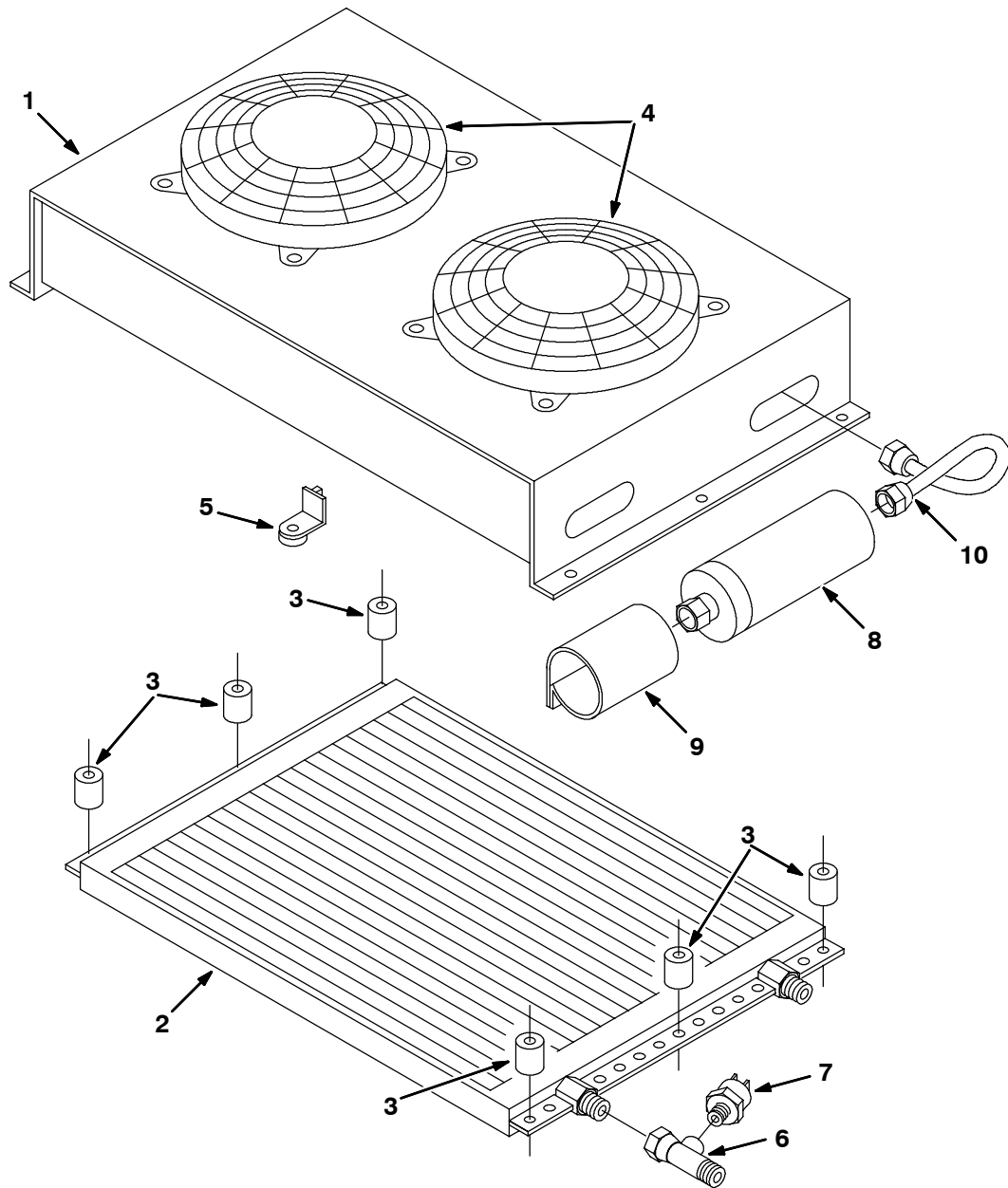


NOTE: The Cab Assembly, TENNANT Part Number 380602 includes Fig. 29, Fig. 30, Fig. 31, and Fig. 32

351143 - ALL

Ref.	Part No.	Serial Number	Description	Qty.
1	380577	(000000-	) Harness, Cab, 800/810	1

**Fig. 33 - AC Condenser Box Breakdown, 380625**



350830 - ALL

Ref.	Part No.	Serial Number	Description	Qty.
▽	380625	(000000-	) Condenser Assy, A/C	1
▲	1 380666	(000000-	) Housing, Condenser	1
▲	2 380667	(000000-	) Coil, Condenser	1
▲	3 380668	(000000-	) Spacer, Condenser	6
▲	4 380669	(000000-	) Fan, Condenser	2
▲	5 380670	(000000-	) Foot, Fan	8
▲	6 380671	(000000-	) Ftg, Shrader	1
▲	7 380672	(000000-	) Binary	1
▲	8 380627	(000000-	) Dryer, Ac	1
▲	9 380628	(000000-	) Bracket,A/C Dryer	1
▲	10 380626	(000000-	) Tube Asy,Cond/Dry	1

**Fig. 34 - AC and Heater Box Breakdown, 380613**

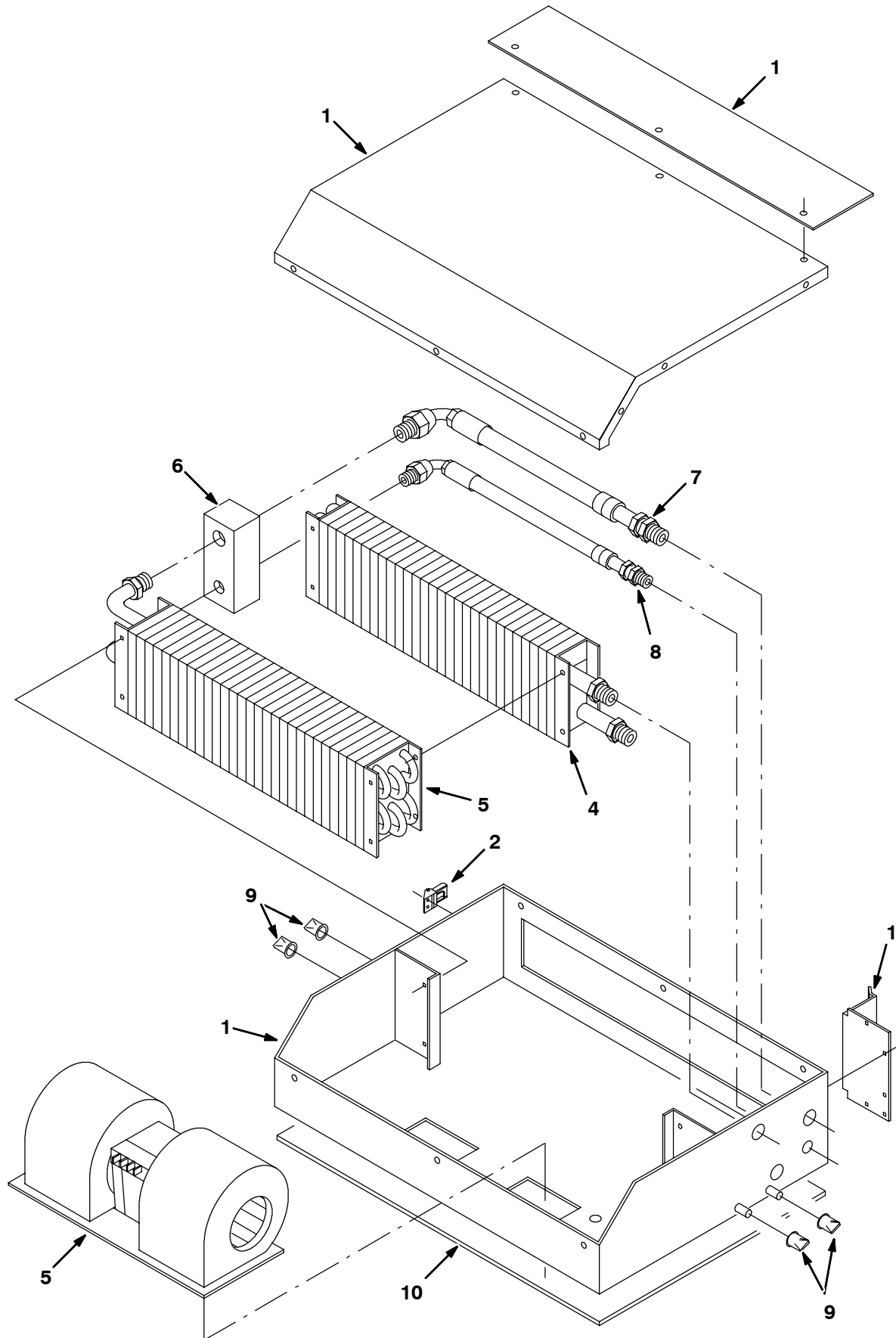


Fig. 34 - AC and Heater Box Breakdown, 380613

	Ref.	Part No.	Serial Number	Description	Qty.
▽		380613	(000000-	) Box Assy, Heat/Ac	1
▲	1	388407	(000000-	) Housing Assembly	1
▲	2	87579	(000000-	) Latch, Tension	1
▲	3	380649	(000000-	) Blower, Heat/Ac	1
▲	4	380650	(000000-	) Heater Coil	1
▲	5	380651	(000000-	) Coil, Evaporator	1
▲	6	380652	(000000-	) Valve, Expansion	1
▲	7	380578	(000000-	) A/C Hose#10 134A	1
▲	8	380579	(000000-	) A/C Hose #6 134A	1
▲	9	380659	(000000-	) Duck Bill	4
▲	10	380616	(000000-	) Gasket, Box/Cab	1

**Fig. 35 - Heater Box Breakdown, 380614**

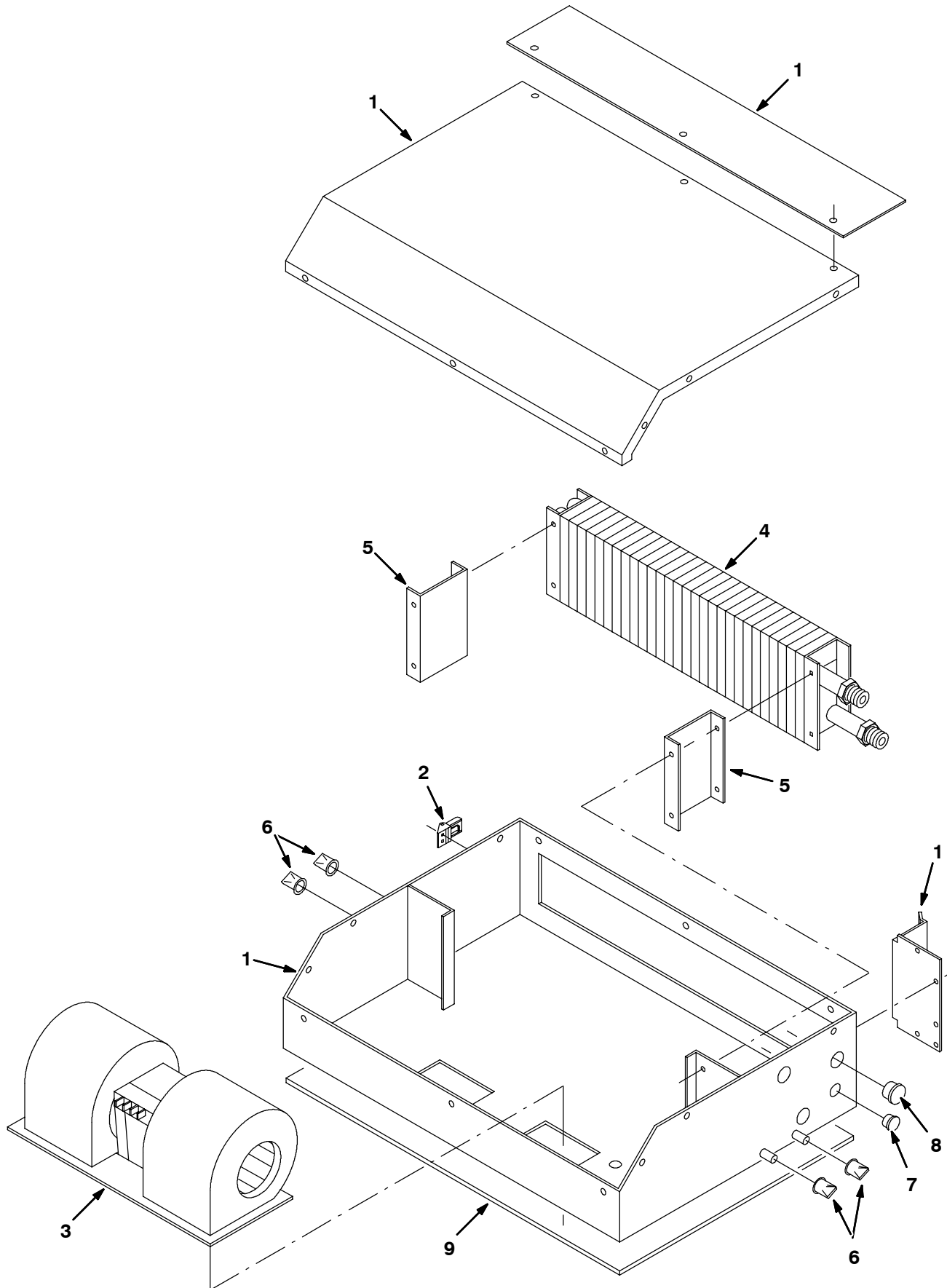


Fig. 35 - Heater Box Breakdown, 380614

	Ref.	Part No.	Serial Number	Description	Qty.
▽		380614	(000000-	) Box Assy, Heat	1
▲	1	388407	(000000-	) Housing Assembly	1
▲	2	87579	(000000-	) Latch, Tension	1
▲	3	380649	(000000-	) Blower, Heat/Ac	1
▲	4	380650	(000000-	) Heater Coil	1
▲	5	380660	(000000-	) Brkt,Mtg,Htr Coil	2
▲	6	380659	(000000-	) Duck Bill	4
▲	7	57167	(000000-	) Plugbtn .62H .03-.12 Blacknyl	1
▲	8	82727	(000000-	) Plugbtn .88H .03-.12 Blacknyl	1
▲	9	380616	(000000-	) Gasket, Box/Cab	1

**Fig. 36 - Brake Assy, Right Hand (R.h.) 77790**

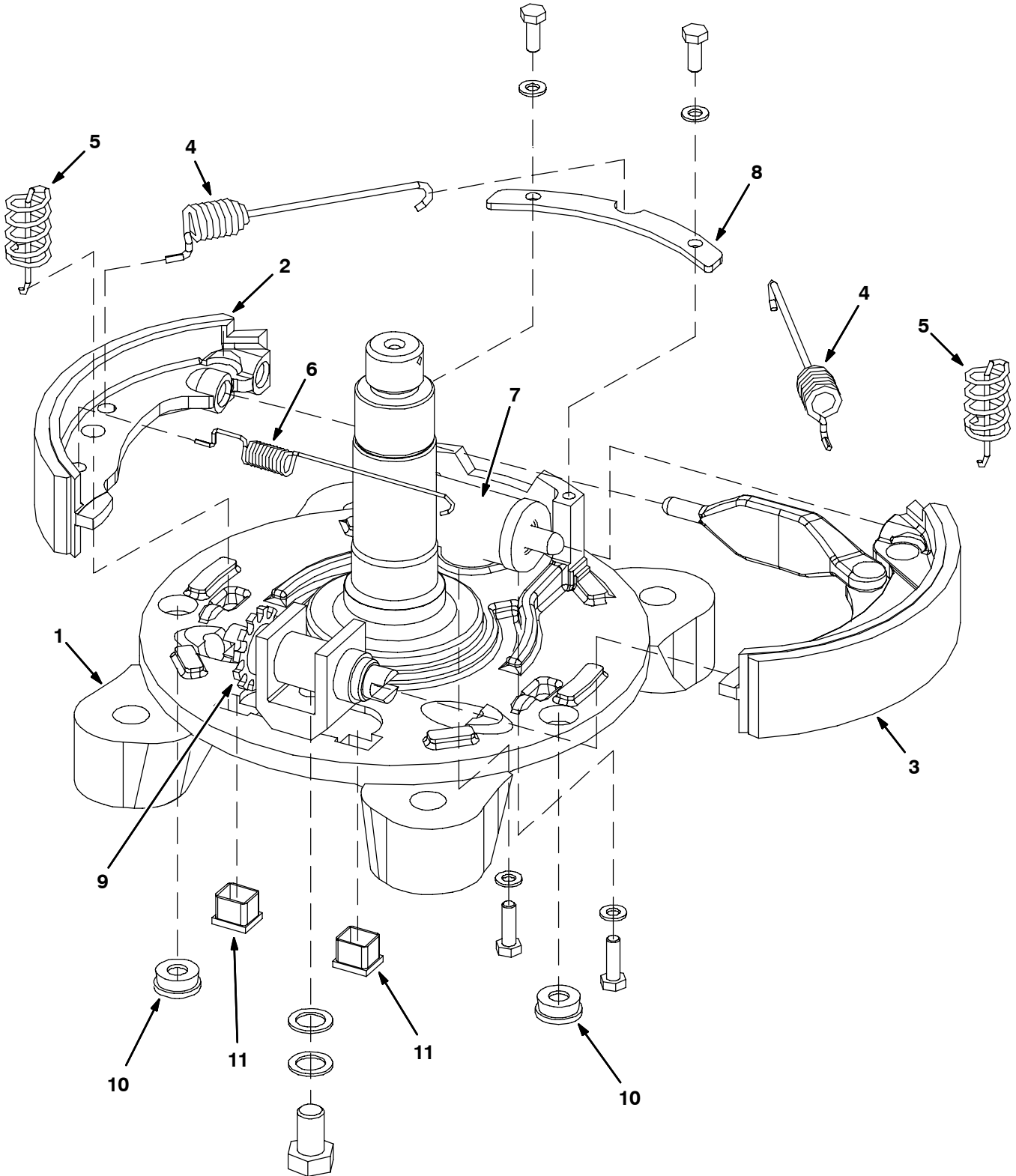




Fig. 36 - Brake Assy, Right Hand (R.h.) 77790

	Ref.	Part No.	Serial Number	Description	Qty.
▽		77790	(000000-	) Brake Assy, Drum, Hyd, 08.8d 1.6w Rh	1
▲	1	77768	(000000-	) Backing Plate Rh	1
▲	2	70613	(000000-	) Shoe, Brake	1
▲	3	70612	(000000-	) Shoe, Brake	1
▲	4	21728	(000000-	) Spring	2
▲	5	70617	(000000-	) Spring	2
▲	6	70618	(000000-	) Spring	1
▲	7	70609	(000000-	) Cylinder, Wheel, Brake	1
▲	8	70603	(000000-	) Clamp, Hold Down	1
▲	9	70615	(000000-	) Adjuster, Manual	1
▲	10	372950	(000000-	) Plug, Rbr, Rnd	2
▲	11	372951	(000000-	) Plug, Plstc, Sq	2

**Fig. 37 - Brake Assy, Left Hand (L.h.) 77770**

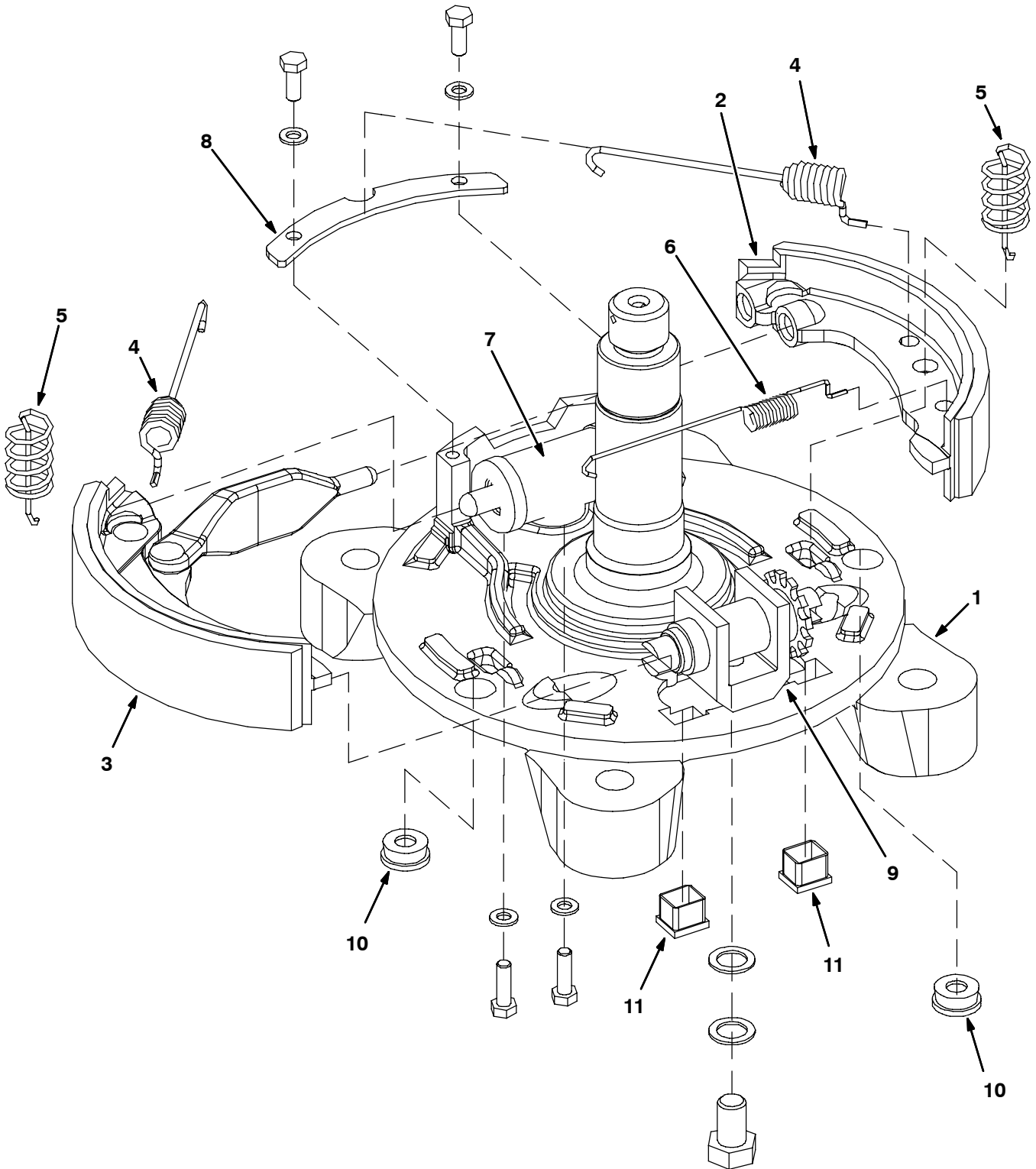


Fig. 37 - Brake Assy, Left Hand (L.h.) 77770

	Ref.	Part No.	Serial Number	Description	Qty.
▽		77770	(000000-	) Brake Assy, Drum, Hyd, 08.0d 1.6w Lh	1
▲	1	77769	(000000-	) Plate, Backing	1
▲	2	70613	(000000-	) Shoe, Brake	1
▲	3	70611	(000000-	) Shoe, Brake	1
▲	4	21728	(000000-	) Spring	2
▲	5	70617	(000000-	) Spring	2
▲	6	70618	(000000-	) Spring	1
▲	7	70609	(000000-	) Cylinder, Wheel, Brake	1
▲	8	70603	(000000-	) Clamp, Hold Down	1
▲	9	70615	(000000-	) Adjuster, Manual	1
▲	10	372950	(000000-	) Plug, Rbr, Rnd	2
▲	11	372951	(000000-	) Plug, Plstc, Sq	2

**Fig. 38 - LPG Electronic Fuel Ignition Breakdown, 371894**

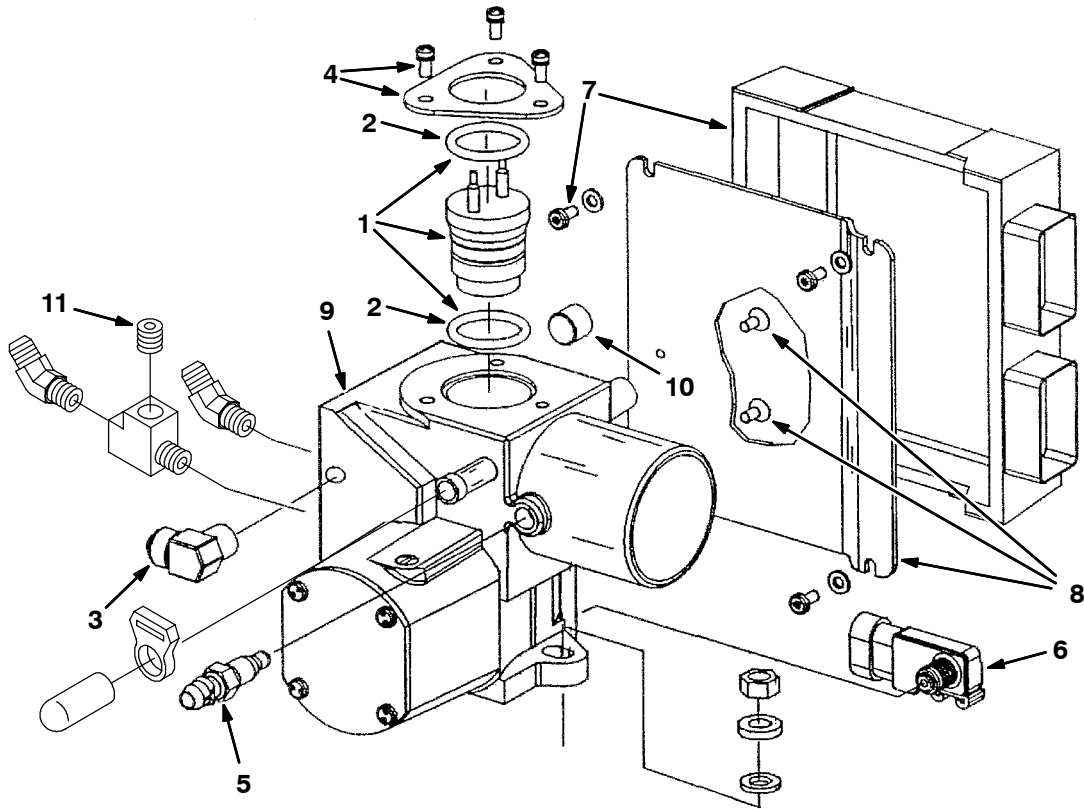


Fig. 38 - LPG Electronic Fuel Ignition Breakdown, 371894

	Ref.	Part No.	Serial Number	Description	Qty.
▽		371894	(000000-	) Housing Assy, Throttle, Lpg, [With Ecu]	1
▲▽	1	1017270	(000000-	) Injector, Fuel, Lpg [3.0l Gm] 8410	1
▲▲	2	371665	(000000-	) Kit, Org, Injector, Top And Bottom, Lpg	1
▲	3	371666	(000000-	) Fitting, Fuel Inlet, Lpg	1
▲	4	371651	(000000-	) Plate, Injector Mtg, W/ Screw	1
▲	5	371653	(000000-	) Sensor, Temp	1
▲		371714	(000000-	) Kit, Connector, Coolant Sensor	1
▲		371715	(000000-	) Kit, Connector, Sensor, [lat]	1
▲	6	371654	(000000-	) Sensor, Manifold Press	1
▲		371713	(000000-	) Kit, Connector, Sensor, [Map]	1
▲	7	9000823	(000000-	) Kit, Replmt, Controller	1
▲	8	391891	(000000-	) Plate, Mtg, W/ Screw, [Ecu], Lpg	1
▲	9	371669	(000000-	) Housing, Throttle, Lpg	1
▲		371718	(000000-	) Kit, Connector, Govnr	1
▲	10	371660	(000000-	) Fitting, Coolant Plug	1
▲	11	10552	(000000-	) Fitting, Pipe, Plug, Pm02 Soc Head	1

**Fig. 39 - LPG Electronic Fuel Ignition Breakdown, 371895**

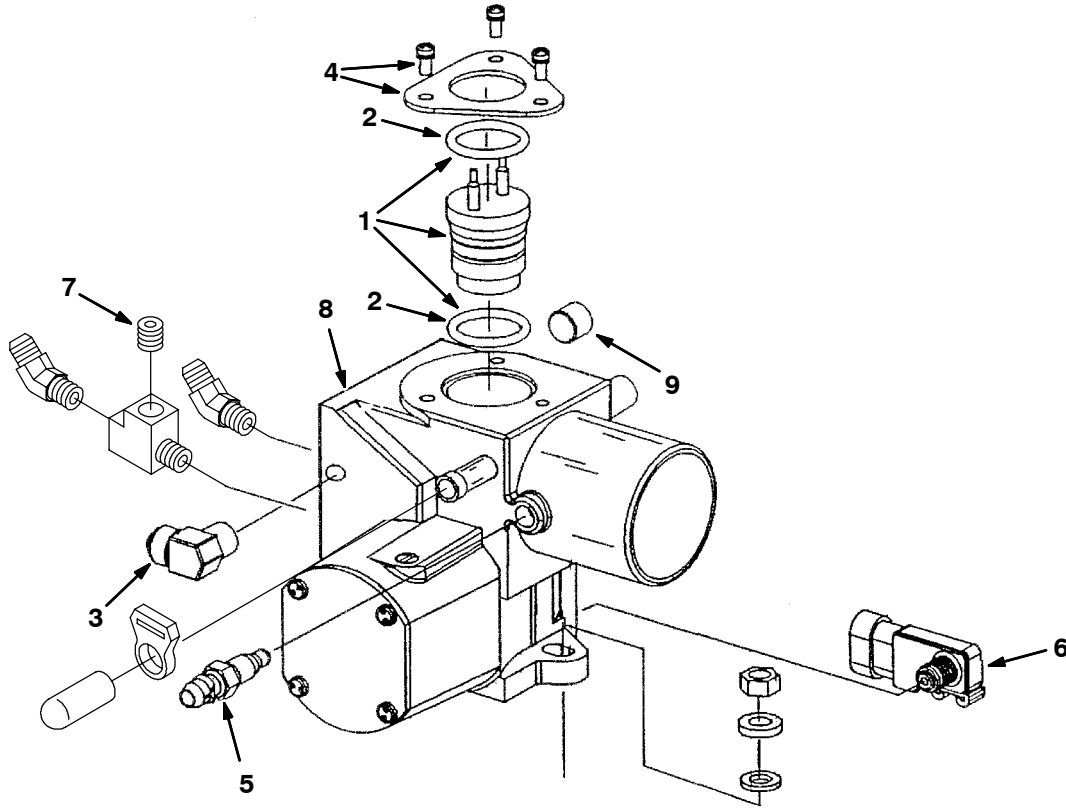


Fig. 39 - LPG Electronic Fuel Ignition Breakdown, 371895

	Ref.	Part No.	Serial Number	Description	Qty.
▽		371895	(000000-	) Housing Assy, Throttle, Lpg, [Without Ecu]	1
▲▽	1	1017270	(000000-	) Injector, Fuel, Lpg [3.0l Gm] 8410	1
▲▲	2	371665	(000000-	) Kit, Org, Injector, Top And Bottom, Lpg	1
▲	3	371666	(000000-	) Fitting, Fuel Inlet, Lpg	1
▲	4	371651	(000000-	) Plate, Injector Mtg, W/ Screw	1
▲	5	371653	(000000-	) Sensor, Temp	1
▲		371714	(000000-	) Kit, Connector, Coolant Sensor	1
▲		371715	(000000-	) Kit, Connector, Sensor, [lat]	1
▲	6	371654	(000000-	) Sensor, Manifold Press	1
▲		371713	(000000-	) Kit, Connector, Sensor, [Map]	1
▲	7	10552	(000000-	) Fitting, Pipe, Plug, Pm02 Soc Head	1
▲	8	371669	(000000-	) Housing, Throttle, Lpg	1
▲		371718	(000000-	) Kit, Connector, Govnr	1
▲	9	371660	(000000-	) Fitting, Coolant Plug	1





Fig. 40 - Gasoline Electronic Fuel Ignition Breakdown, 371896

	Ref.	Part No.	Serial Number	Description	Qty.
▽		371896	(000000-	) Housing Assy, Throttle, Gas, [With Ecu]	1
▲▽	1	371899	(000000-	) Injector, Gas, W/ Top And Bottom Org	1
▲▲	2	371649	(000000-	) Kit, Org, Injector And Reg, Gas	1
▲		371716	(000000-	) Kit, Connector, Gas Injector	1
▲	3	371908	(000000-	) Kit, Reg, Gas Press	1
▲	4	371651	(000000-	) Plate, Injector Mtg, W/ Screw	1
▲	5	15555-2	(000000-	) Fitting, Brs, E90, If05/Pm04	1
▲		371714	(000000-	) Kit, Connector, Coolant Sensor	1
▲		371715	(000000-	) Kit, Connector, Sensor, [lat]	1
▲	6	371653	(000000-	) Sensor, Temp	1
▲	7	371654	(000000-	) Sensor, Manifold Press	1
▲	8	371901	(000000-	) Control, Electronic, Gas	1
▲	9	391890	(000000-	) Plate, Mtg, W/ Screw, [Ecu], Gas	1
▲	10	371902	(000000-	) Housing, Throttle, Gas	1
▲		371718	(000000-	) Kit, Connector, Govnr	1
▲	11	10552	(000000-	) Fitting, Pipe, Plug, Pm02 Soc Head	1
▲	12	371660	(000000-	) Fitting, Coolant Plug	1

**Fig. 41 - Gasoline Electronic Fuel Ignition Breakdown, 371897**

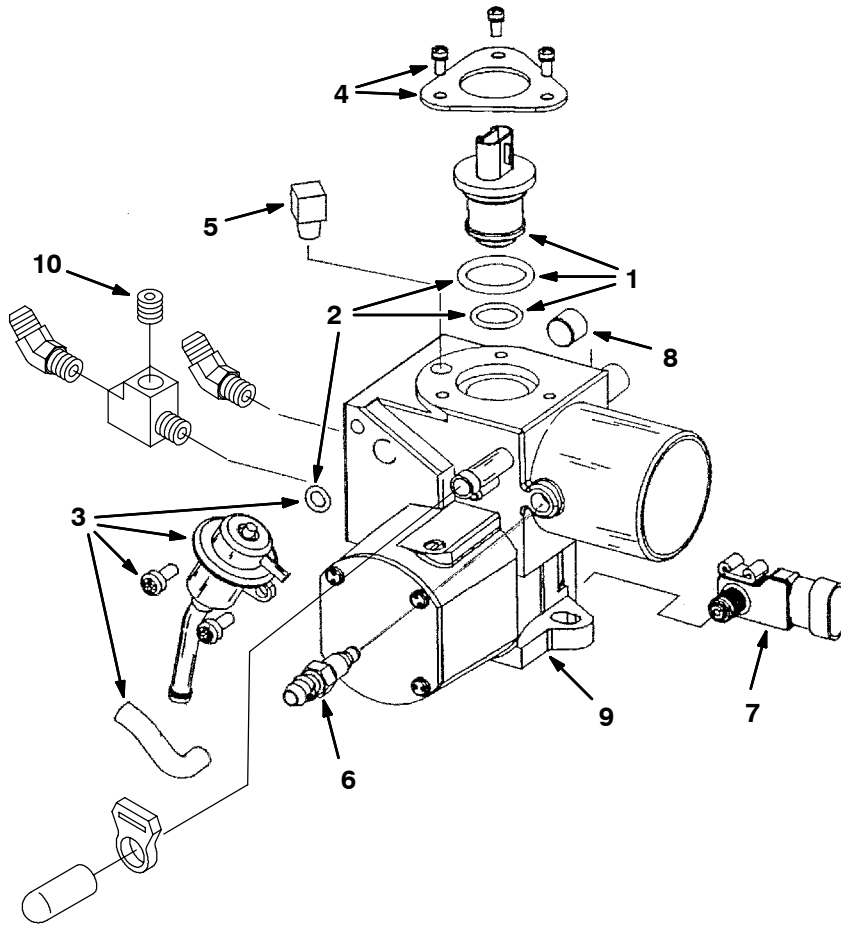


Fig. 41 - Gasoline Electronic Fuel Ignition Breakdown, 371897

	Ref.	Part No.	Serial Number	Description	Qty.
▽		371897	(000000-	) Housing Assy, Throttle, Gas, [Without Ecu]	1
▲▽	1	371899	(000000-	) Injector, Gas, W/ Top And Bottom Org	1
▲▲	2	371649	(000000-	) Kit, Org, Injector And Reg, Gas	1
▲		371716	(000000-	) Kit, Connector, Gas Injector	1
▲	3	371908	(000000-	) Kit, Reg, Gas Press	1
▲	4	371651	(000000-	) Plate, Injector Mtg, W/ Screw	1
▲	5	15555-2	(000000-	) Fitting, Brs, E90, If05/Pm04	1
▲		371714	(000000-	) Kit, Connector, Coolant Sensor	1
▲		371715	(000000-	) Kit, Connector, Sensor, [lat]	1
▲	6	371653	(000000-	) Sensor, Temp	1
▲	7	371654	(000000-	) Sensor, Manifold Press	1
▲	8	371660	(000000-	) Fitting, Coolant Plug	1
▲	9	371902	(000000-	) Housing, Throttle, Gas	1
▲		371718	(000000-	) Kit, Connector, Govnr	1
▲	10	10552	(000000-	) Fitting, Pipe, Plug, Pm02 Soc Head	1

**Fig. 42 - Hydraulic Solenoid Valve Breakdown, 1049210**

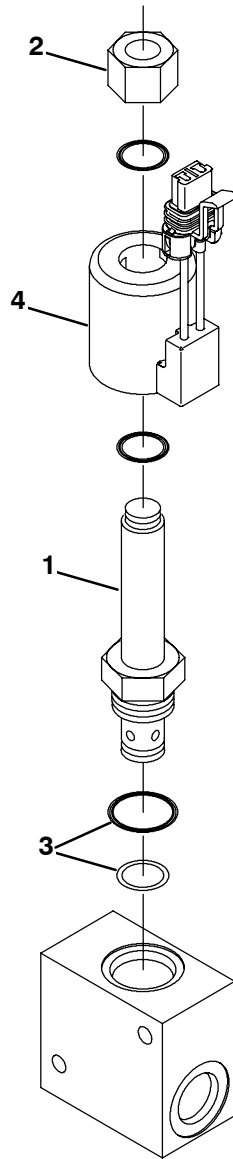


Fig. 42 - Hydraulic Solenoid Valve Breakdown, 1049210

	<b>Ref.</b>	<b>Part No.</b>	<b>Serial Number</b>	<b>Description</b>	<b>Qty.</b>
▽		1049210	(000000-	) Valve, Cntrl, Hyd, Solenoid, 12vdc 12gpm	1
▲	1	1050812	(000000-	) Stem, Valve, Hyd	1
▲	2	1050811	(000000-	) Nut, Valve, Cartridge	1
▲	3	1050780	(000000-	) Seal Kit, Cartridge	1
▲	4	1050809	(000000-	) Solenoid, Valve, Hyd, 36vdc	1

**Fig. 43 - Hydraulic Solenoid Valve Breakdown, 1049209**

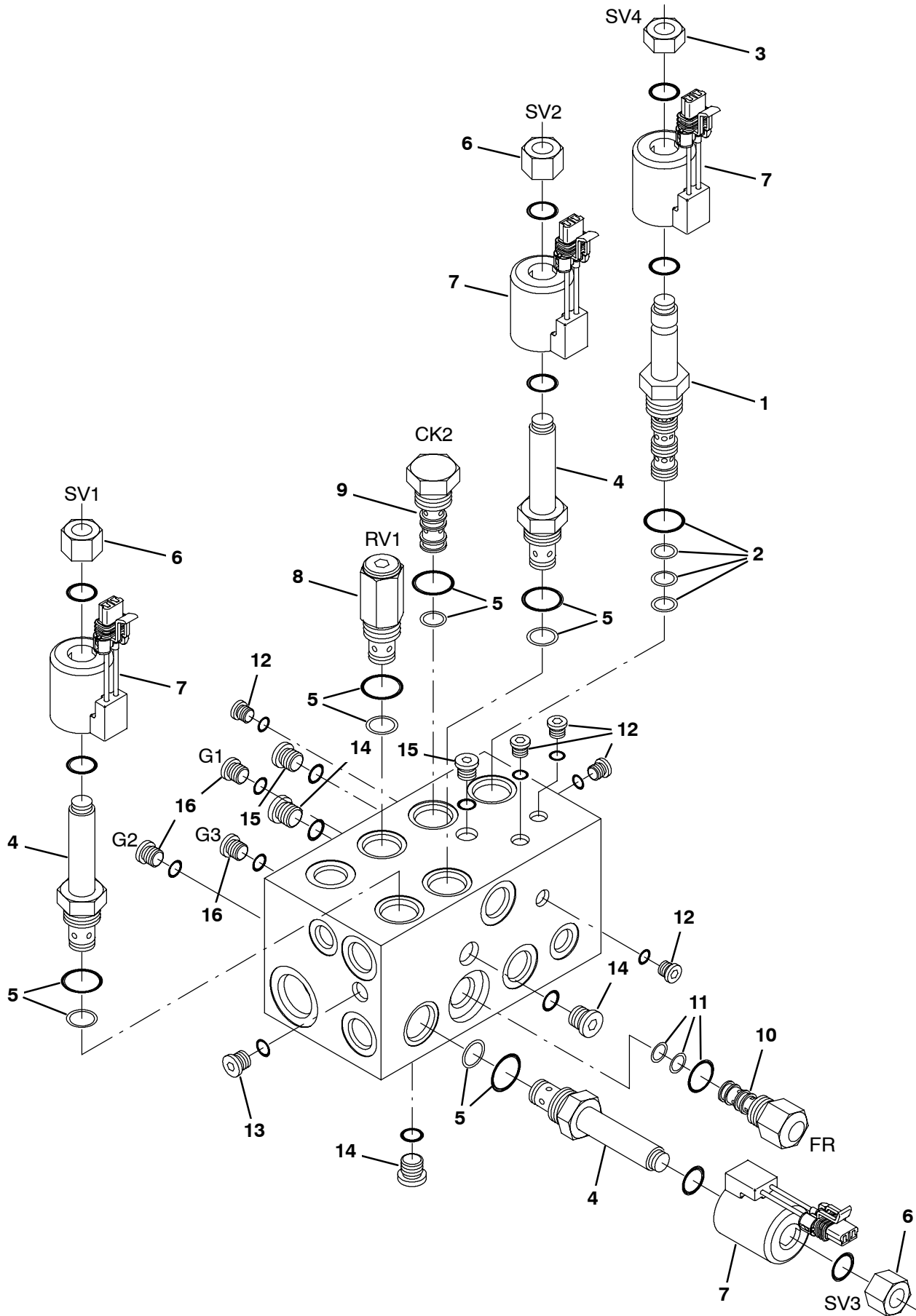
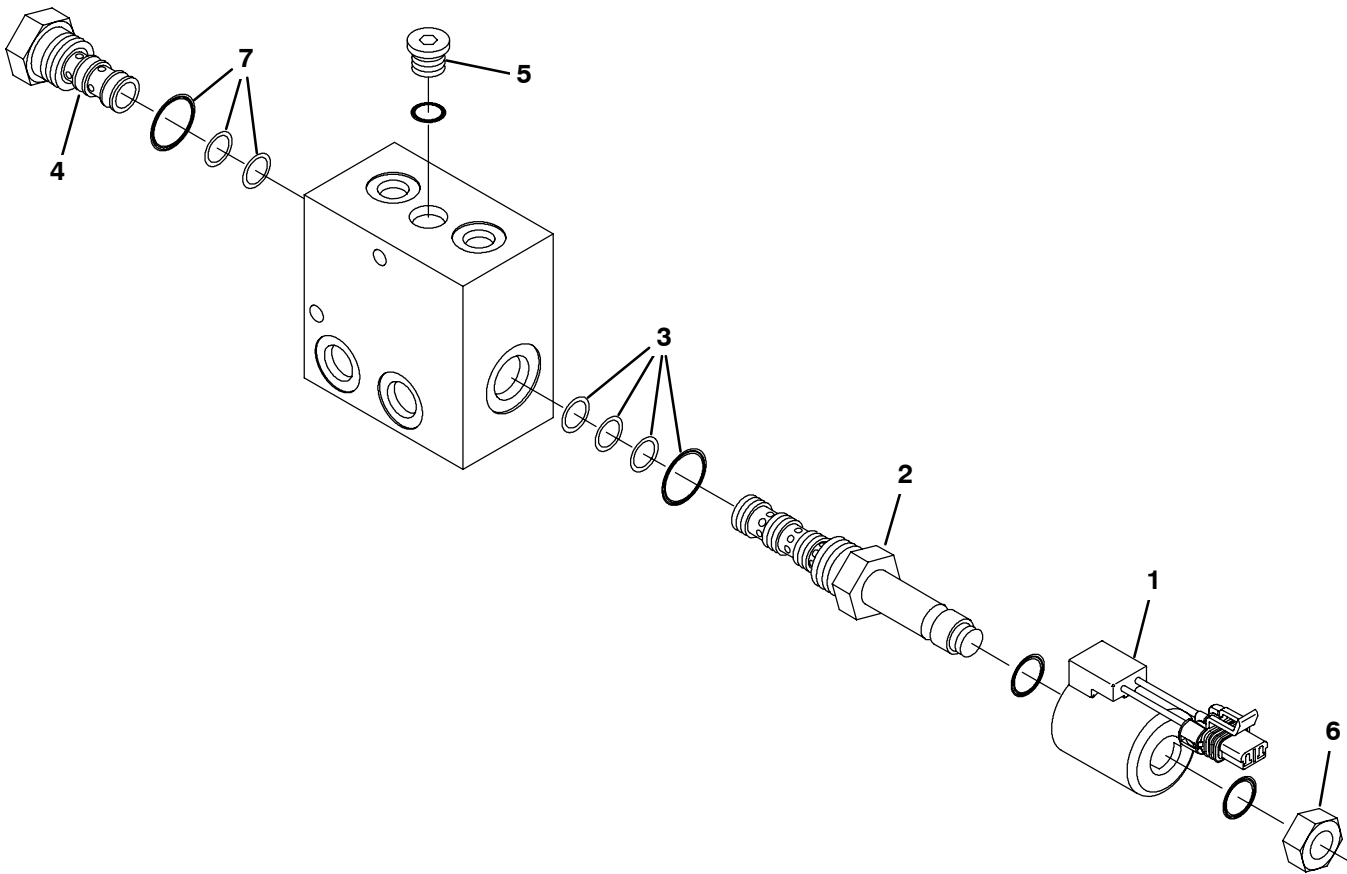


Fig. 43 - Hydraulic Solenoid Valve Breakdown, 1049209

Ref.	Part No.	Serial Number	Description	Qty.	
▽	1049209	(000000-	) Valve, Cntrl, Hyd, Solenoid, 12vdc 08gpm	1	
▲	1	1050861	(000000-	) Solenoid, Valve, Hyd	1
▲	2	1050870	(000000-	) Seal Kit, Cartridge	1
▲	3	373584	(000000-	) Nut, Valve, Cartridge	1
▲	4	1050812	(000000-	) Stem, Valve, Hyd	3
▲	5	1050780	(000000-	) Seal Kit, Cartridge	1
▲	6	373585	(000000-	) Nut, Valve, Cartridge	3
▲	7	1050809	(000000-	) Solenoid, Valve, Hyd, 36vdc	4
▲	8	1050862	(000000-	) Valve, Cartridge, Relief	1
▲	9	1050863	(000000-	) Valve, Cartridge, Check	1
▲	10	1050864	(000000-	) Valve, Cartridge, Flow Reg	1
▲	11	1050871	(000000-	) Seal Kit, Cartridge	1
▲	12	1050865	(000000-	) Fitting, Plug, Om02, Valve	5
▲	13	1050866	(000000-	) Fitting, Plug, Om04, Valve	1
▲	14	1050867	(000000-	) Fitting, Plug, Om06, Valve	3
▲	15	1050868	(000000-	) Fitting, Plug, Om05, Valve	2
▲	16	1050869	(000000-	) Fitting, Plug, Om04, Valve	3

**Fig. 44 - Hydraulic Solenoid Valve Breakdown, 1049211**



354900 - ALL

Ref.	Part No.	Serial Number	Description	Qty.	
▽	1049211	(000000-	) Valve, Cntrl, Hyd, Solenoid, 12vdc 06gpm	1	
▲	1	1050809	(000000-	) Solenoid, Valve, Hyd, 36vdc	1
▲	2	1050861	(000000-	) Solenoid, Valve, Hyd	1
▲	3	1050870	(000000-	) Seal Kit, Cartridge	1
▲	4	1050872	(000000-	) Valve, Cartridge, Check	1
▲	5	1050873	(000000-	) Fitting, Plug, Om06, Valve	1
▲	6	1051078	(000000-	) Nut, Valve, Cartridge	1
▲	7	1051079	(000000-	) Seal Kit, Cartridge	1



## SECTION 5

<b>Contents</b>	<b>Page</b>
Fig. 1 - Engine Block Group .....	5-2
Fig. 2 - Gaskets Group .....	5-4
Fig. 3 - Cylinder Head Group .....	5-6
Fig. 4 - Cylinder Front Cover Group .....	5-7
Fig. 5 - Starter Breakdown .....	5-8
Fig. 6 - Oil Pan Group .....	5-10
Fig. 7 - Crankshaft Group .....	5-12
Fig. 8 - Manifolds Group .....	5-14
Fig. 9 - Flywheel Group .....	5-15
Fig. 10 - Camshaft And Sprocket Group .....	5-16
Fig. 11 - Valve And Rocker Arm Cover Group ..	5-18
Fig. 12 - Piston And Connecting Rod Group ...	5-20
Fig. 13 - Water Pump, Thermostat and Fan Group .....	5-21
Fig. 14 - Ignition Group .....	5-22

## 2.3L ENGINE BREAKDOWN

Fig. 1 - Engine Block Group

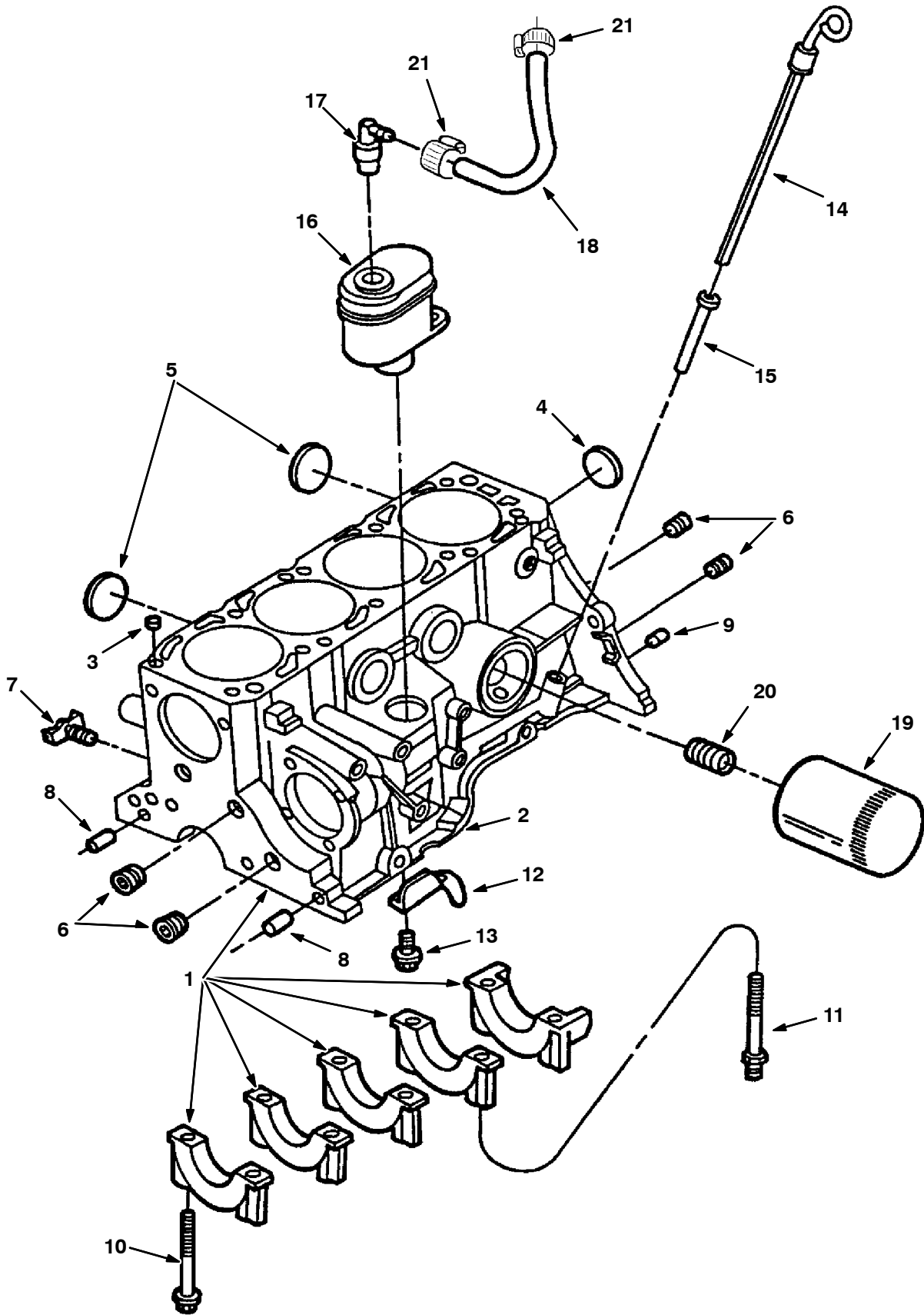


Fig. 1 - Engine Block Group

Ref.	Part No.	Description	Qty.	
	1	84875	Cyl Block Assy (Short Block Assy)	1
▽	2	84876	Block Assy	1
▲	3	73958	Dowel	2
▲	4	73921	Plug-Std 2.078	1
▲	4	73920	Plug .06 O/S	-
▲	5	84877	Plug, 1.50 Cup	4
▲	6	73917	Plug 3/8 Npt	5
▲	6	36268	Plug 1/4 Npt	2
▲	7	54911-32	Draincock,End.Block	1
▲	8	84878	Dowel,Frnt Cover	2
▲	9	73975	Dowel	2
▲	10	73950	Bolt M12	9
▲	11	74516	Stud M12	1
▲	12	84879	Baffle	1
	13	84880	Bolt, M6X16.5mm	2
	14	10723	Indicator,Oil	1
	15	10724	Short Tube	1
	16	84882	Separator	1
	17	84883	Pcv Vlv Asy	1
	18	84884	Hose	1
	19	39703-2	Filter Element, Oil	1
	20	84962	Insert-Oilfilt	1
	21	54333	Clamp, Hose, Wormdrive	2

## 2.3L ENGINE BREAKDOWN

Fig. 2 - Gaskets Group

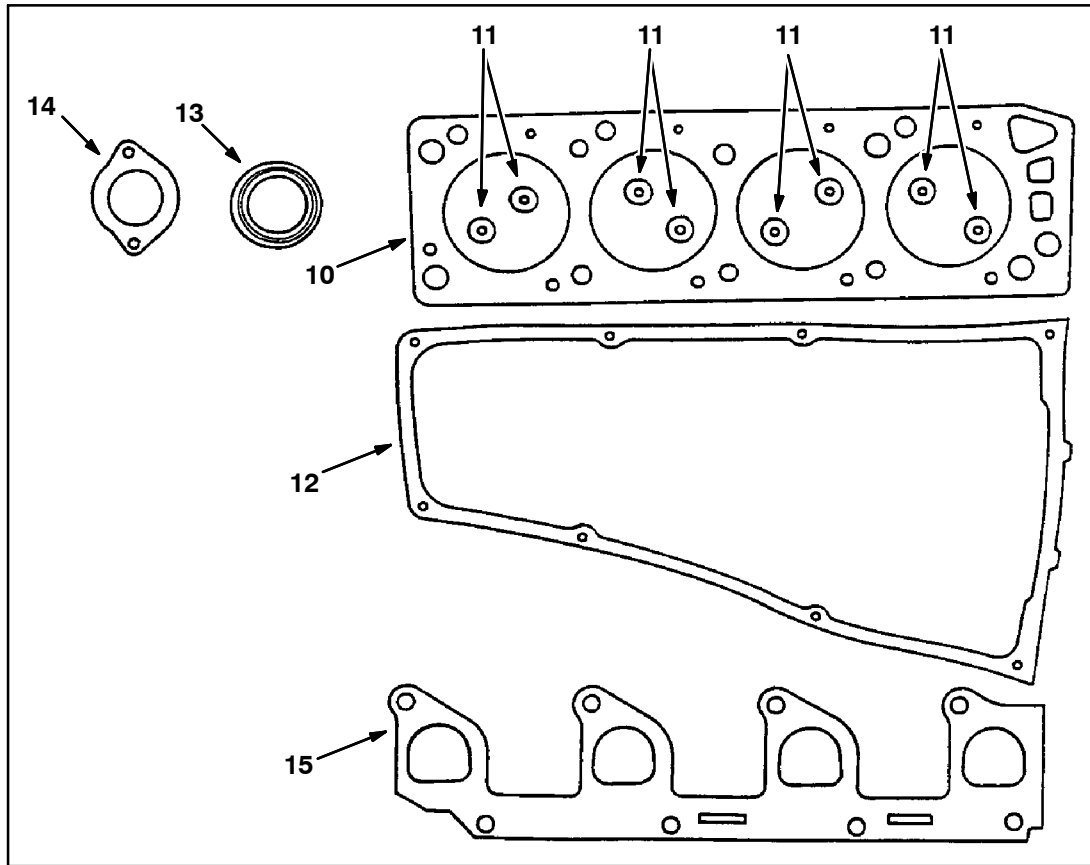
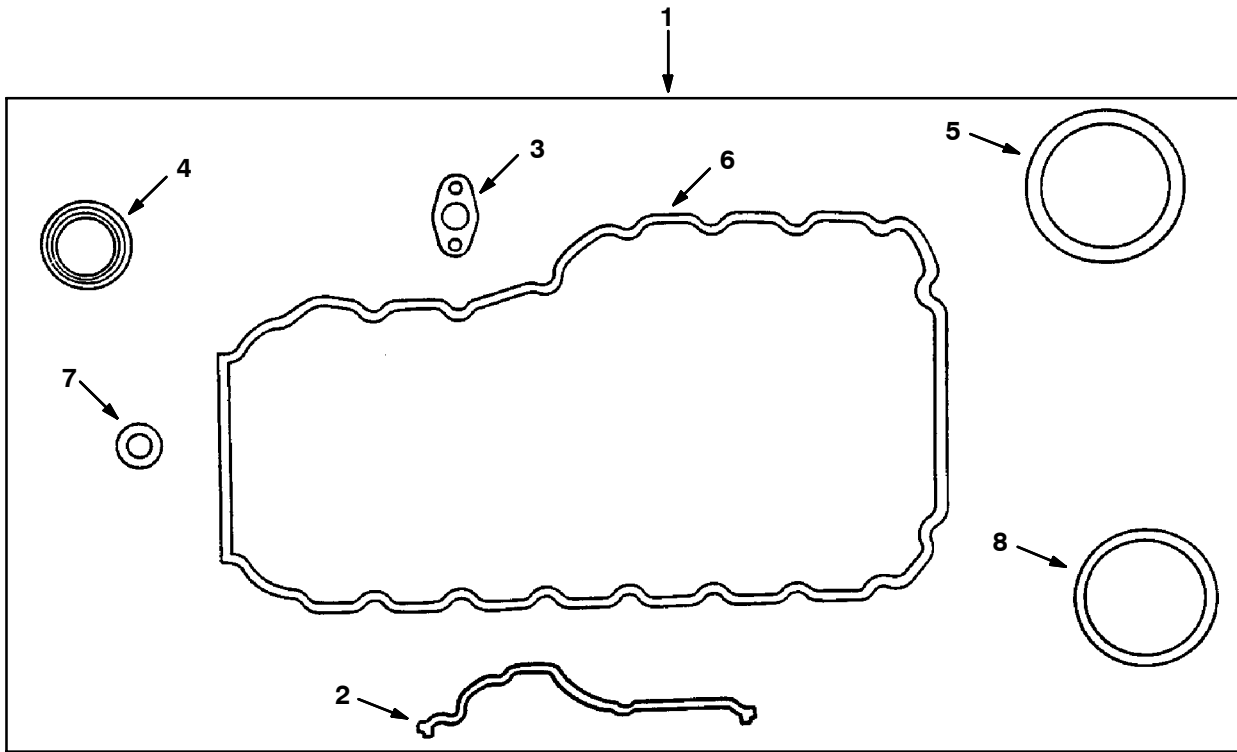
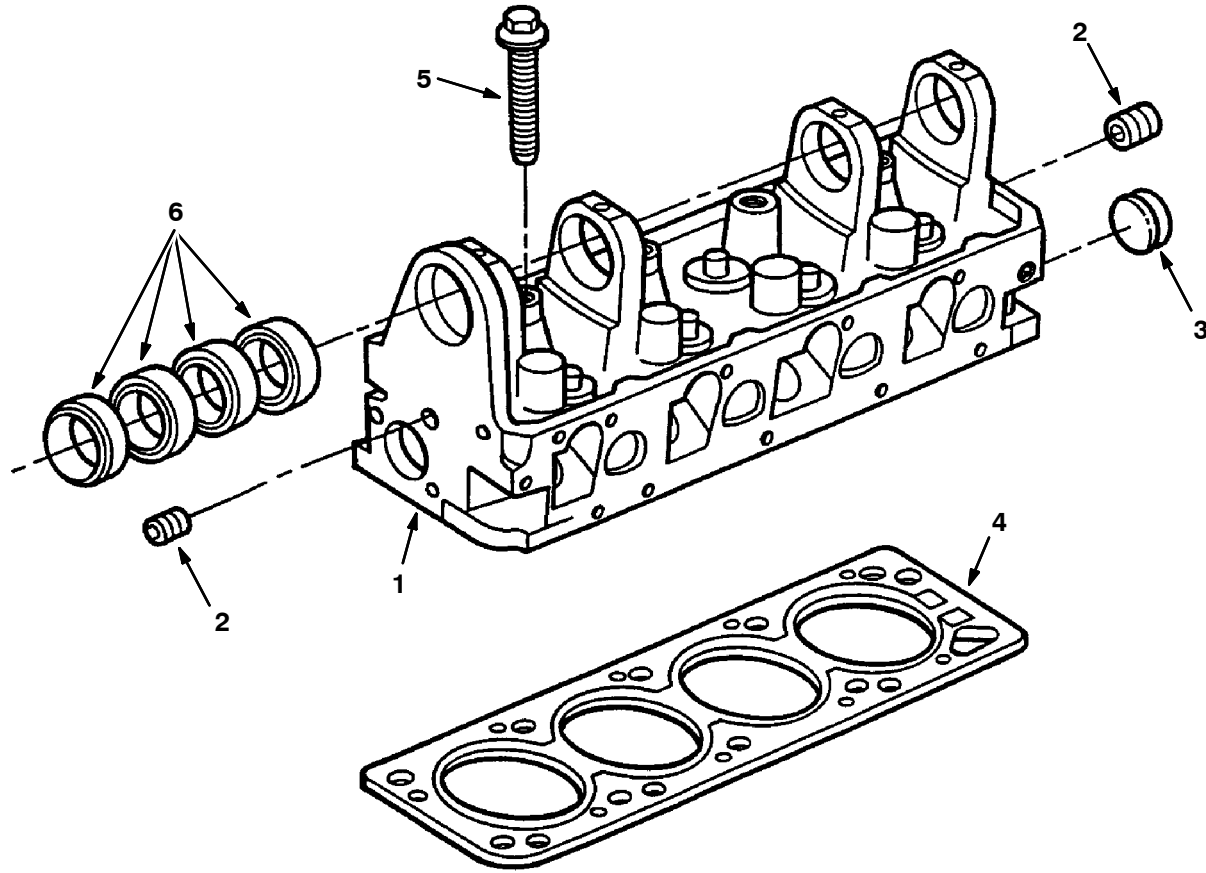


Fig. 2 - Gaskets Group

	Ref.	Part No.	Description	Qty.
▽	1	84885	Gskt Kit,Lower	1
▲	2	84886	Gskt,Frnt Cvr	1
▲	3	84887	Gskt,Pmp/Putube	1
▲	4	60833	Oil Seal, Front	1
▲	5	84888	Seal, Rear	1
▲	6	84889	Gasket,Oil Pan	1
▲	7	37157	Gasket Oil	1
▲	8	84983	Gskt,Water Pump	1
▽	9	84891	Gskt Kit,Upper	1
▲	10	60806	Gasket, Head	1
▲	11	84892	Seal,Valve Stem	8
▲	12	84893	Gskt,Rockr Cvr	1
▲	13	60833	Oil Seal, Front	1
▲	14	74538	Gskt-Waterout	1
▲	15	84894	Gskt,In.Manfld	1

## 2.3L ENGINE BREAKDOWN

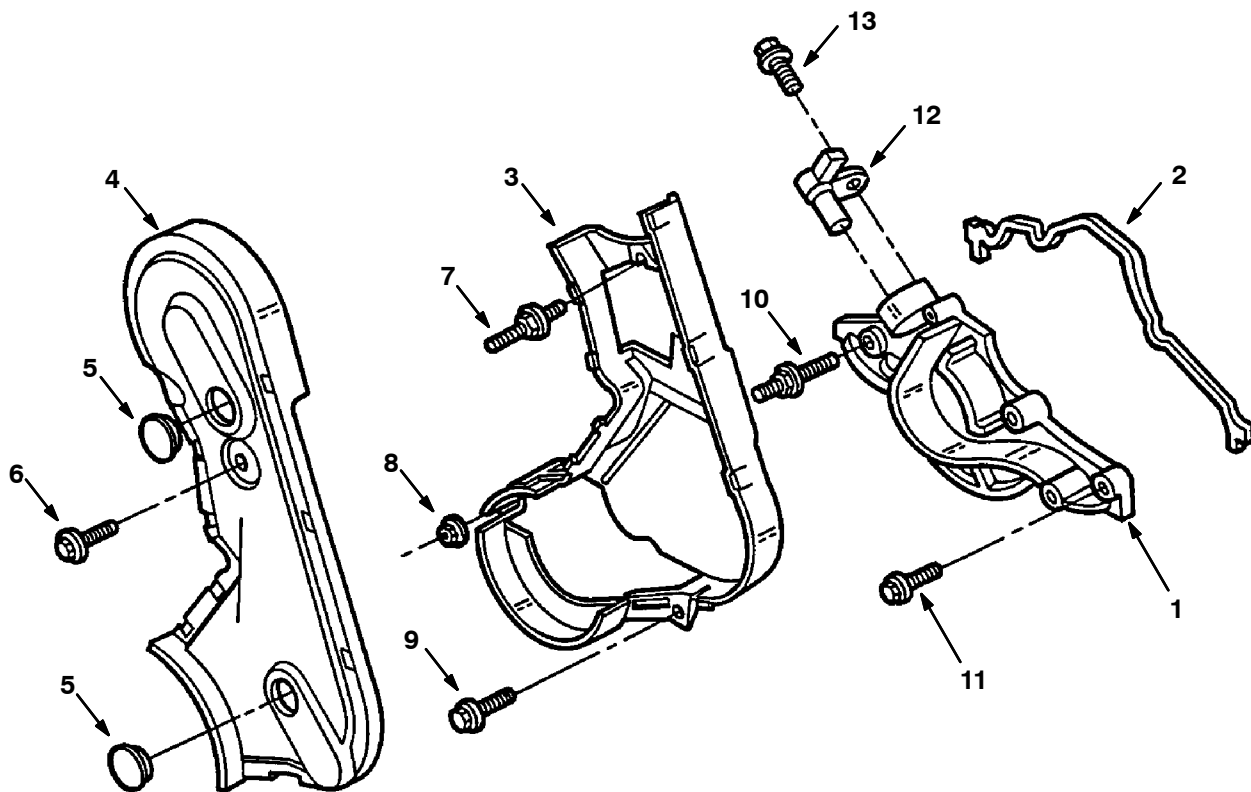
Fig. 3 - Cylinder Head Group



10445 - 800L, 8410, G, LP

Ref.	Part No.	Description	Qty.
1	84907	Head-W/O Valves	1
2	36268	Plug 1/4 Npt	2
3	84910	Plug, 1.50 Cup	1
4	60806	Gasket, Head	1
5	73927	Bolt M12	10
6	60817	Bearing Cam,	4
6	73936	Bearing, .016 Camshaft	-

Fig. 4 - Cylinder Front Cover Group



10446 - 800L, 8410, G, LP

Ref.	Part No.	Description	Qty.
1	84895	Lower Cover	1
2	84896	Gskt,Front Cvr	1
3	84897	Inner Cover	1
4	84898	Outer Cover	1
5	74536	Plug	2
6	84899	Bolt, M8 X 17 Schd	1
7	84900	Stud,M8X51.0mm	1
8	84901	Nut, M6	1
9	84902	Scr&Wsh,M6X22.5	1
10	84903	Stud,M6X61.8mm	1
11	84904	Bolt,M6X37.5mm	3
12	84905	Sensor,Crnksft	1
13	84906	Screw,M6X22.5mm	1





**Fig. 5 - Starter Breakdown**

Ref.	Part No.	Description	Qty.
▽	60938	Motor, Starting, Perm Mag, 12V	1
▲	1 79640	Retaining Ring	1
▲	2 84999	Armature	1
▲	3 79956	Washer	1
▲	4 79628	Plate & Brg	1
▲	5 79629	Brush Holder	1
▲	6 79630	Lever	1
▲	7 79631	Frame&Mag.As	1
▲	8 79632	Bolt-Thru	2
▲	9 79970	Term.Cover	1
▲▽	10 79633	Kit-Attaching	1
▲▲	11 79957	Nut&Washer,M8	1
▲	12 370829	Solenoid	1
▲	13 79634	Hsg W/Brg	1
▲	14 79635	Bearing	1
▲	15 79960	Planet Bearing	3
▲	16 79961	Bearing	1
▲	17 79962	Statnry Gear	1
▲	18 79963	Retnr.Gear	1
▲	19 79964	Seal	1
▲	20 79965	Arm.Thr.Ball	1
▲	21 79966	Gear Assy	3
▲	22 79636	Ring-Drv.Stop	1
▲	23 79967	Retainer	1
▲	24 79638	Drive Assy	1
▲	25 79969	Shft Asy,Output	1

Fig. 6 - Oil Pan Group

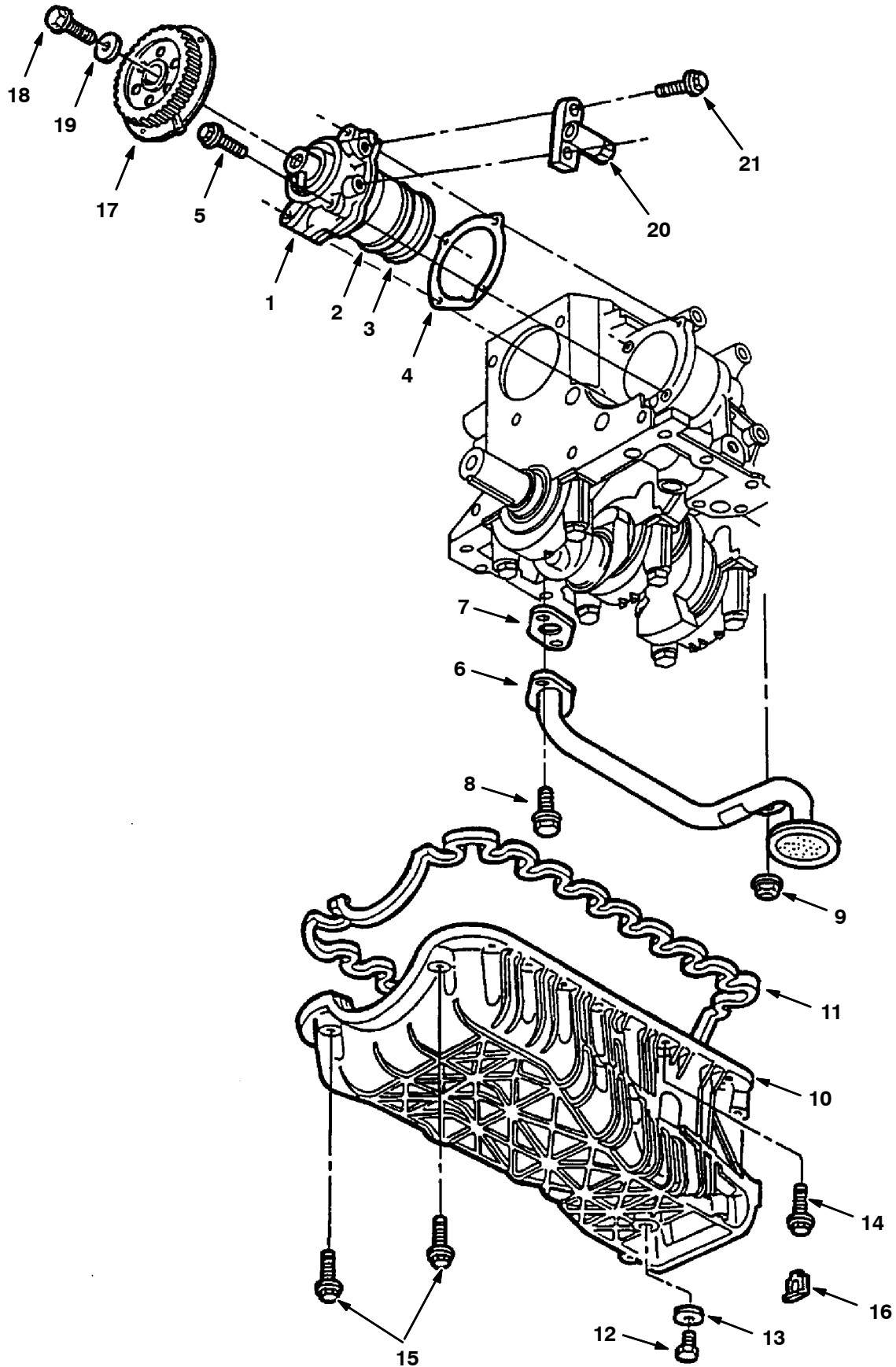


Fig. 6 - Oil Pan Group

Ref.	Part No.	Description	Qty.
1	84963	Oil Pump	1
2	84964	O-Ring,2.375	1
3	84965	O-Ring-2.250	1
4	84966	Gskt,Oilpmp/Blk	1
5	84967	Bolt,M6X47.5mm	4
6	84968	Oil Pickup Tube	1
7	84969	Gskt,Pu Tube	1
8	84970	Bolt,M8X20.0mm	2
9	84971	Nut,M10	1
10	84972	Oil Pan Assy	1
11	84889	Gasket,Oil Pan	1
12	37127	Oil Plug	1
13	37157	Gasket Oil	1
14	84973	Bolt,M6X27.5mm	16
15	84974	Bolt,M6X52.5mm	2
16	84975	Oil Pan Spacer	-
16	84976	Oil Pan Spacer	-
16	84977	Oil Pan Spacer	-
17	84978	Oil Pmp Sprkt	1
18	84979	Bolt,M10X40.0mm	1
19	74561	Washer	1
20	84980	Camsft.Sensor	1
21	84981	Bolt,M5X20.0M	2

## 2.3L ENGINE BREAKDOWN

Fig. 7 - Crankshaft Group

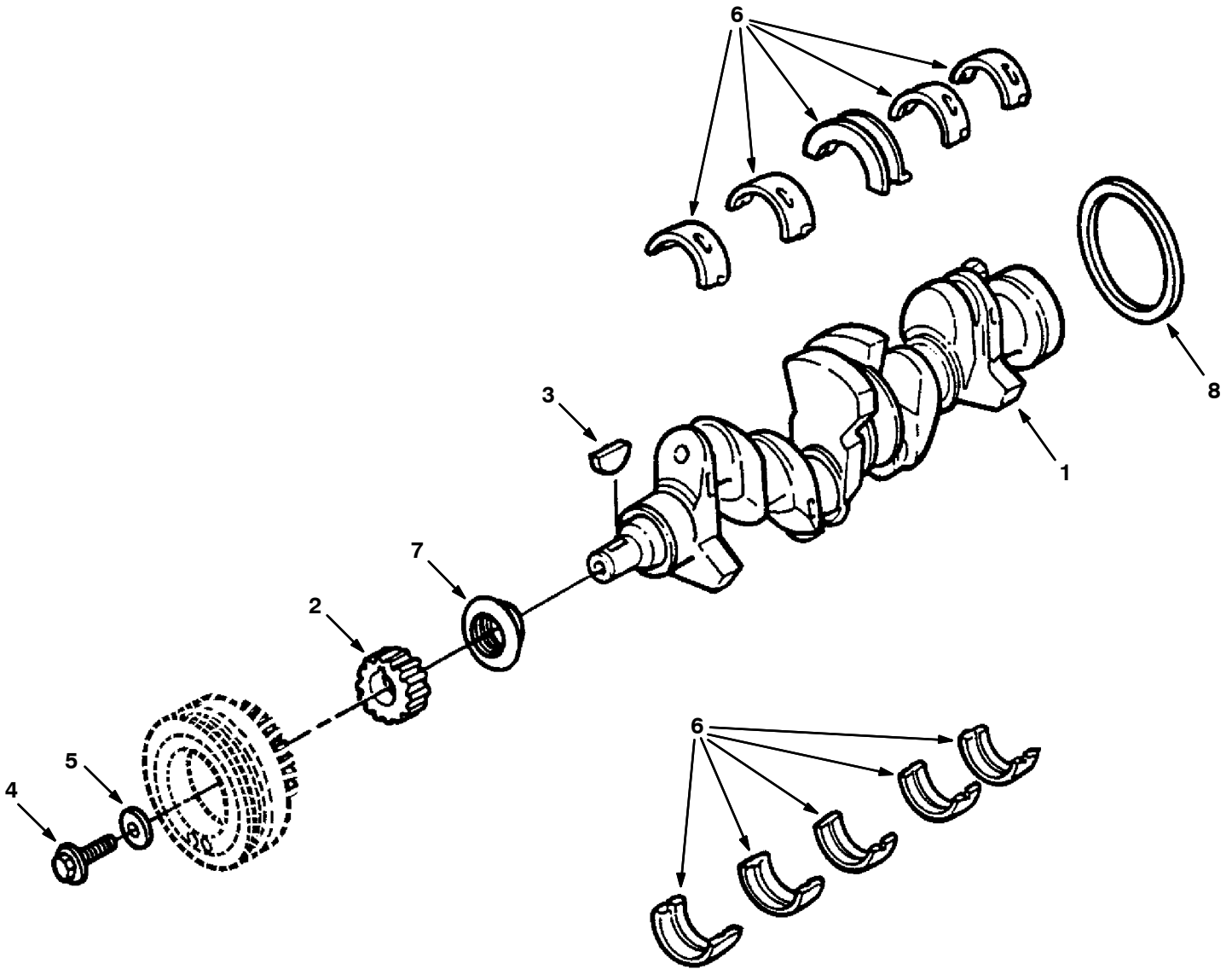


Fig. 7 - Crankshaft Group

Ref.	Part No.	Description	Qty.
1	84923	Crankshaft Asy	1
2	84924	Crnksft Sprckt	1
3	84925	Crnkshaft Key	1
4	84926	Bolt,M14X55.0M	1
5	84927	Wash M15 1.53Od	1
6	1051175	Bearing Kit, Cshft, Std[F2.3/2.5]	4
6	1051167	Bearing Kit, Cshft, .040[F2.3/2.5]	-
6	1051174	Bearing Kit, Cshft, .010[F2.3/2.5]	-
6	1051173	Bearing Kit, Cshft, .020[F2.3/2.5]	-
6	1051172	Bearing Kit, Cshft, .030[F2.3/2.5]	-
7	60833	Oil Seal, Front	1
8	84947	Crnksft Seal-Rear	1

## 2.3L ENGINE BREAKDOWN

Fig. 8 - Manifolds Group

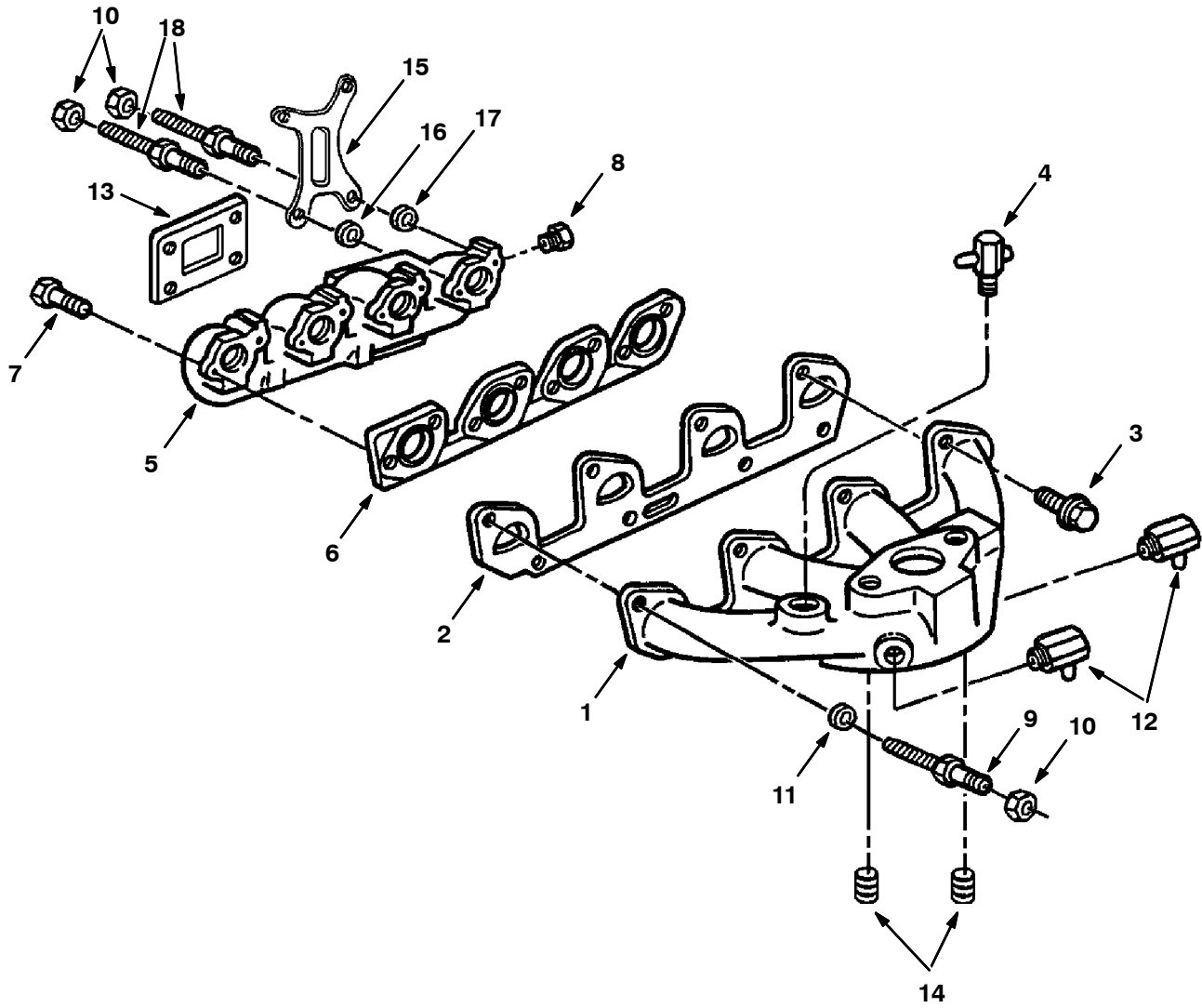
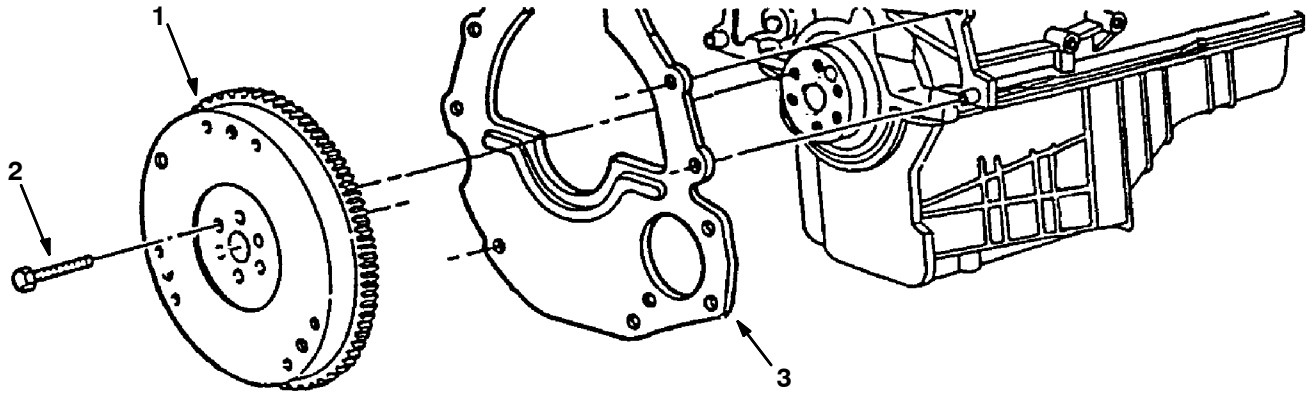


Fig. 8 - Manifolds Group

Ref.	Part No.	Description	Qty.
1	84990	Int.Manifold	1
2	84991	Gskt,Int.Mnflid	1
3	84992	Bolt,M8X25.0mm	7
4	74527	Vac.Fitting	1
5	74509	Exh.Manifold	1
6	84995	Gskt,Exh.Mnflid	1
7	84996	Bolt,M10X55.0M	6
8	84997	Plug, 1/2Npt	1
9	79972	Stud	1
10	79973	Nut M8-1.25	3
11	79974	Spacer	1
12	84985	Elbow,90 deg	2
13	36048	Gasket, Exh. Flange	1
14	73917	Plug 3/8 NPT	2
15	79976	Lifting Eye	1
16	21792	Spacer	1
17	21793	Spacer	1
18	21794	Stud	2

Fig. 9 - Flywheel Group





**Fig. 9 - Flywheel Group**

<b>Ref.</b>	<b>Part No.</b>	<b>Description</b>	<b>Qty.</b>
1	370103	Replm Kit, Flywheel	1
	370102	Flywheel	1
	84659	Flywheel Ring Gear	1
2	64038	Bolt	12
3	83669	Rear Plate	12

## 2.3L ENGINE BREAKDOWN

Fig. 10 - Camshaft And Sprocket Group

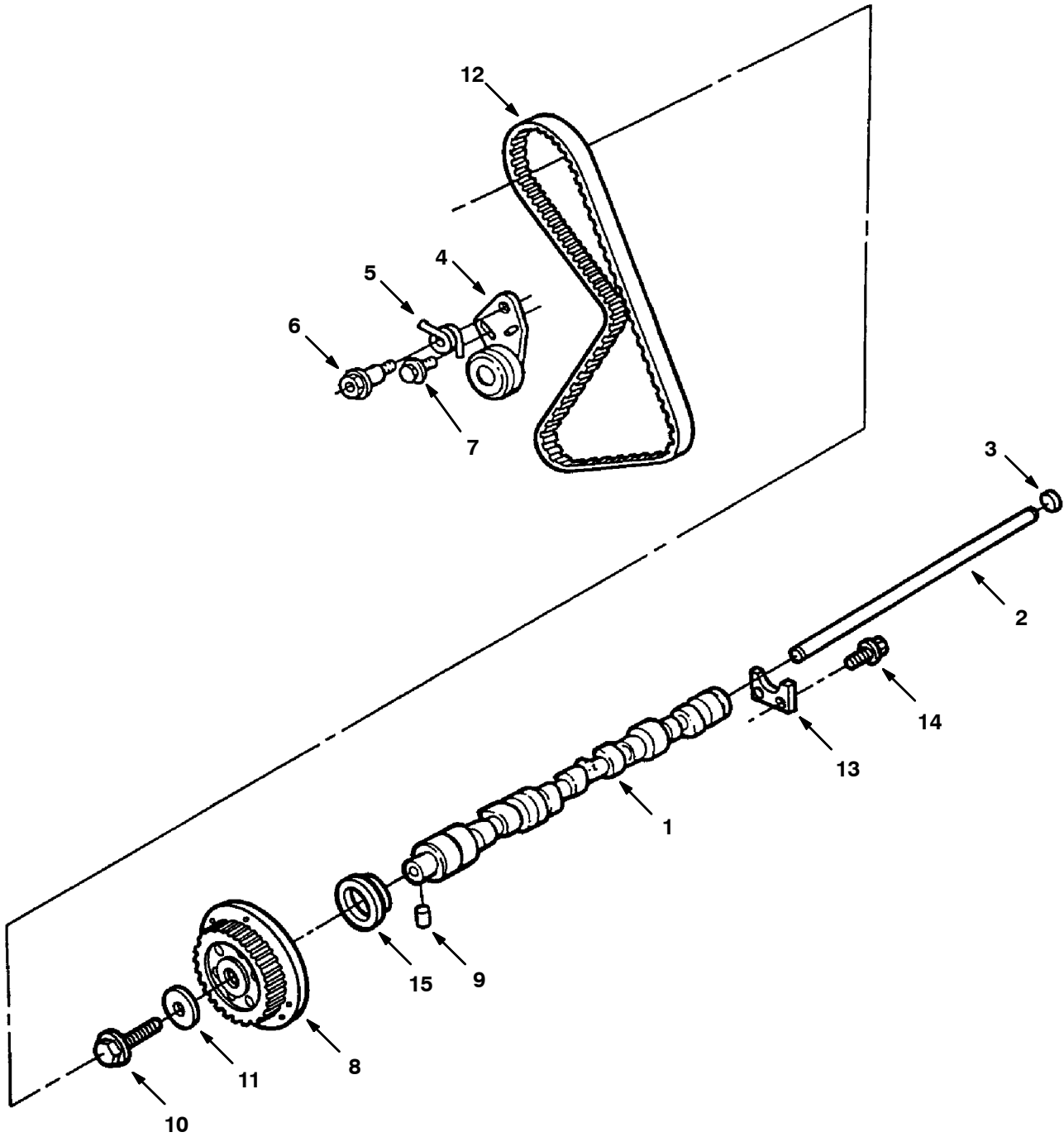


Fig. 10 - Camshaft And Sprocket Group

Ref.	Part No.	Description	Qty.
1	84915	Camshaft	1
2	84916	Rod	1
3	84917	Plug	1
4	73967	Tensioner, Arm	1
5	73970	Spring, Tension	1
6	84919	Bolt, Tens. Sprn	1
7	74552	Bolt	1
8	84978	Camshft Sprckt	1
9	84921	Pin, 1/4X.32	1
10	74545	Bolt M12X45	1
11	73937	Washer	1
12	84936	Timing Belt	1
13	73954	Plate	1
14	74548	Scr&Wash M6	2
15	60833	Oil Seal, Front	1

## 2.3L ENGINE BREAKDOWN

Fig. 11 - Valve And Rocker Arm Cover Group

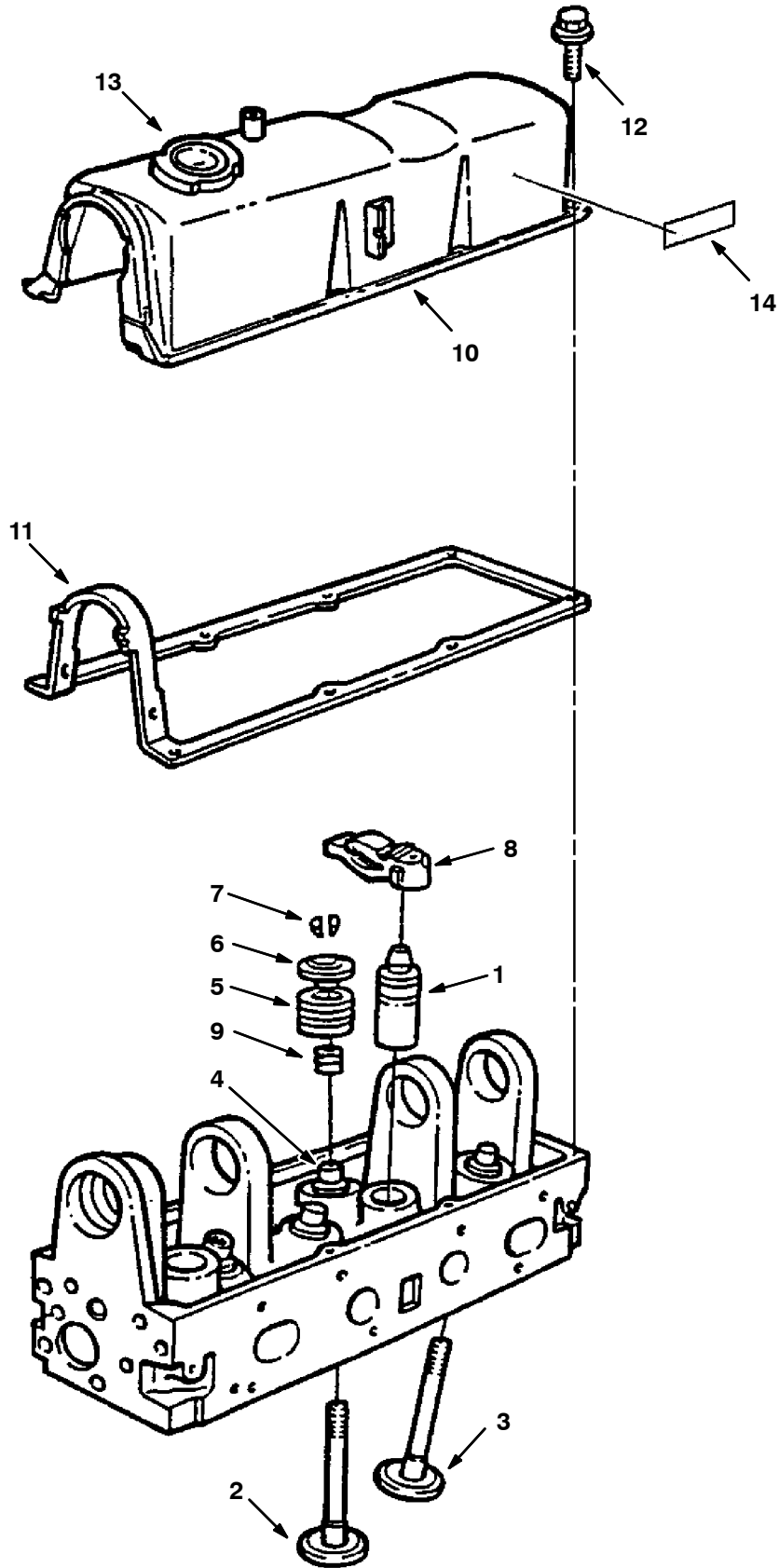
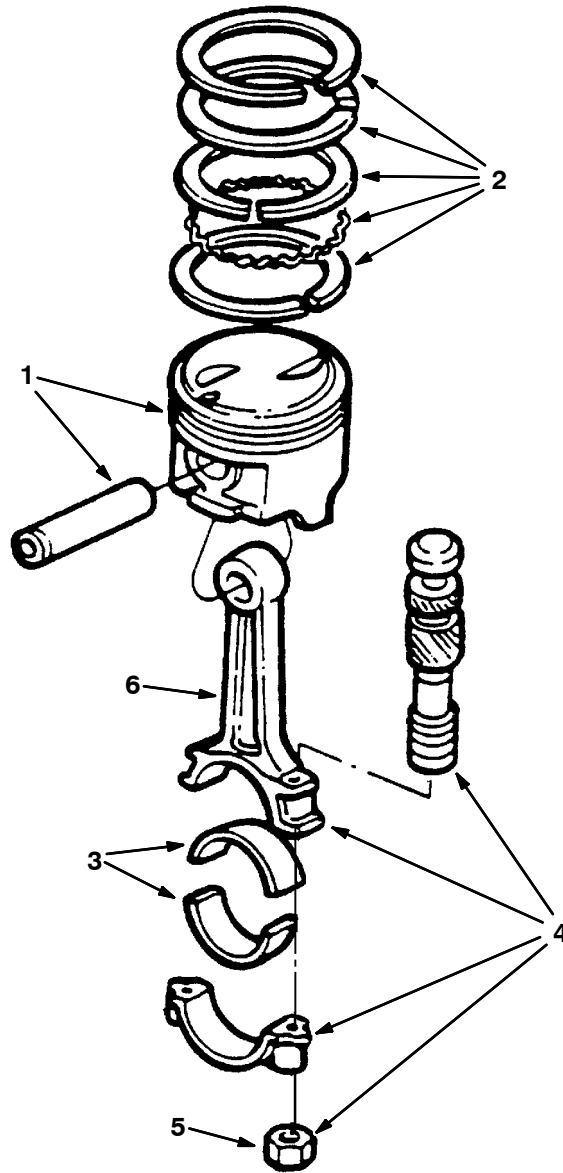


Fig. 11 - Valves And Rocker Arm Cover Group

Ref.	Part No.	Description	Qty.
1	84950	Tap.Assy-Valve	8
2	84951	Std.Exh.Valve	4
3	84952	Std.Int.Valve	4
4	84953	Valve Guide Bushing	-
5	84954	Valve Spring	8
6	84955	Valve Spring Retainer	8
7	84956	Valve Spring Key	16
8	84957	Valve Rocker Arm	8
9	84958	Valve Stem Seal	8
10	370876	Valve Rocker Arm Cover	1
11	73995	Gasket,Rocker Cover	1
12	84961	Scr&Wsh,M6X15.0M	8
13	60836	Breather Cap	1
14	36164	Warning Label, Starter	1

## 2.3L ENGINE BREAKDOWN

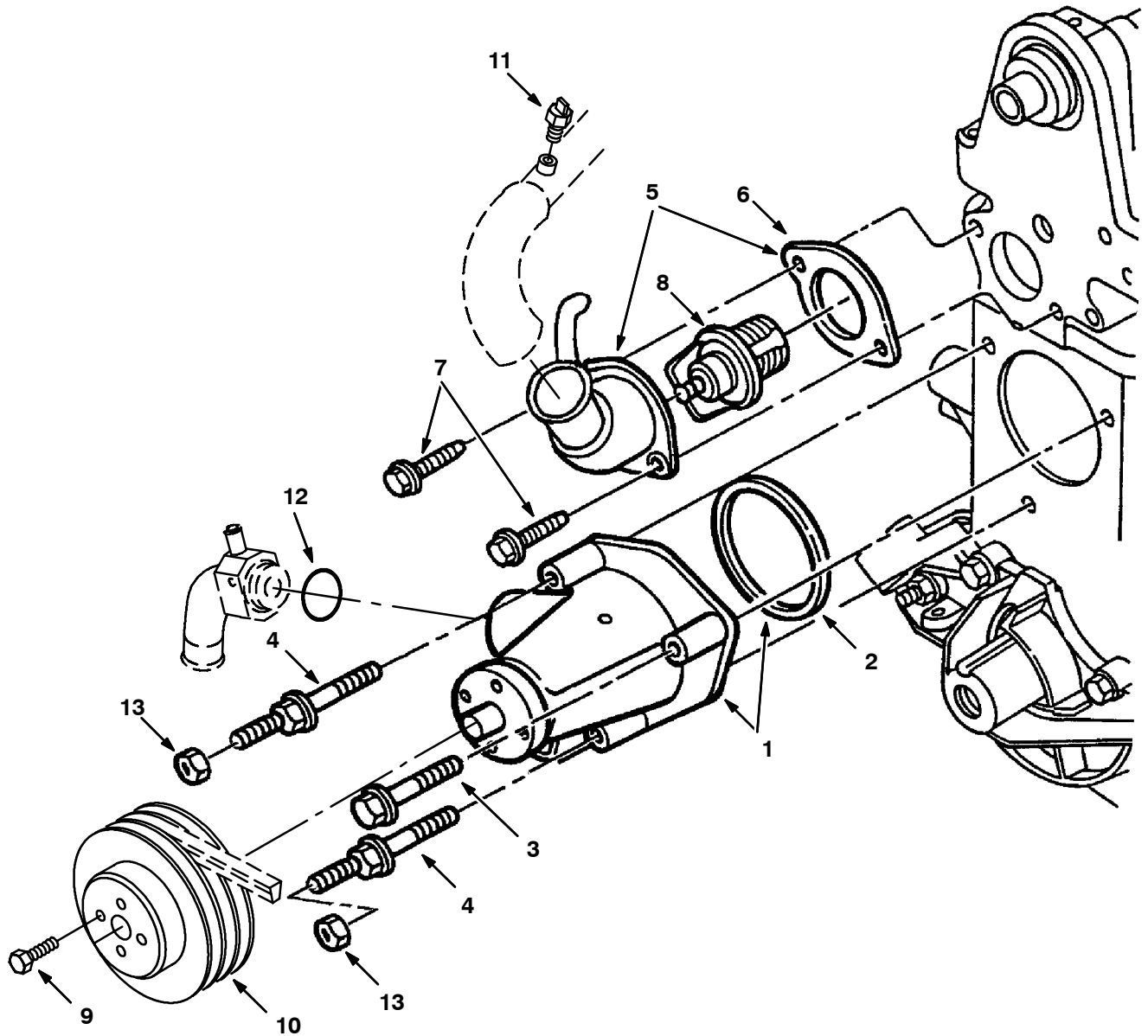
Fig. 12 - Piston And Connecting Rod Group



10447 - 800L, 8410, G, LP

Ref.	Part No.	Description	Qty.	
1	84911	Piston, Std.	4	
2	84913	Ring Set,Std.	2	
3	60812	Bearing	8	
3	73977	Brg-Conn.Rod	-	
3	73978	Brg-Conn.Rod	-	
3	73979	Brg-Conn.Rod	-	
3	73980	Brg-Conn.Rod	-	
3	73981	Brg-Conn.Rod	-	
3	73982	Brg-Conn.Rod	-	
▽	4	84914	Connecting Rd	4
▲	5	60813	Nut, Conrod-8	8
▲	6	60814	Bolt-Conrod-4	8

Fig. 13 - Water Pump, Thermostat and Fan Group

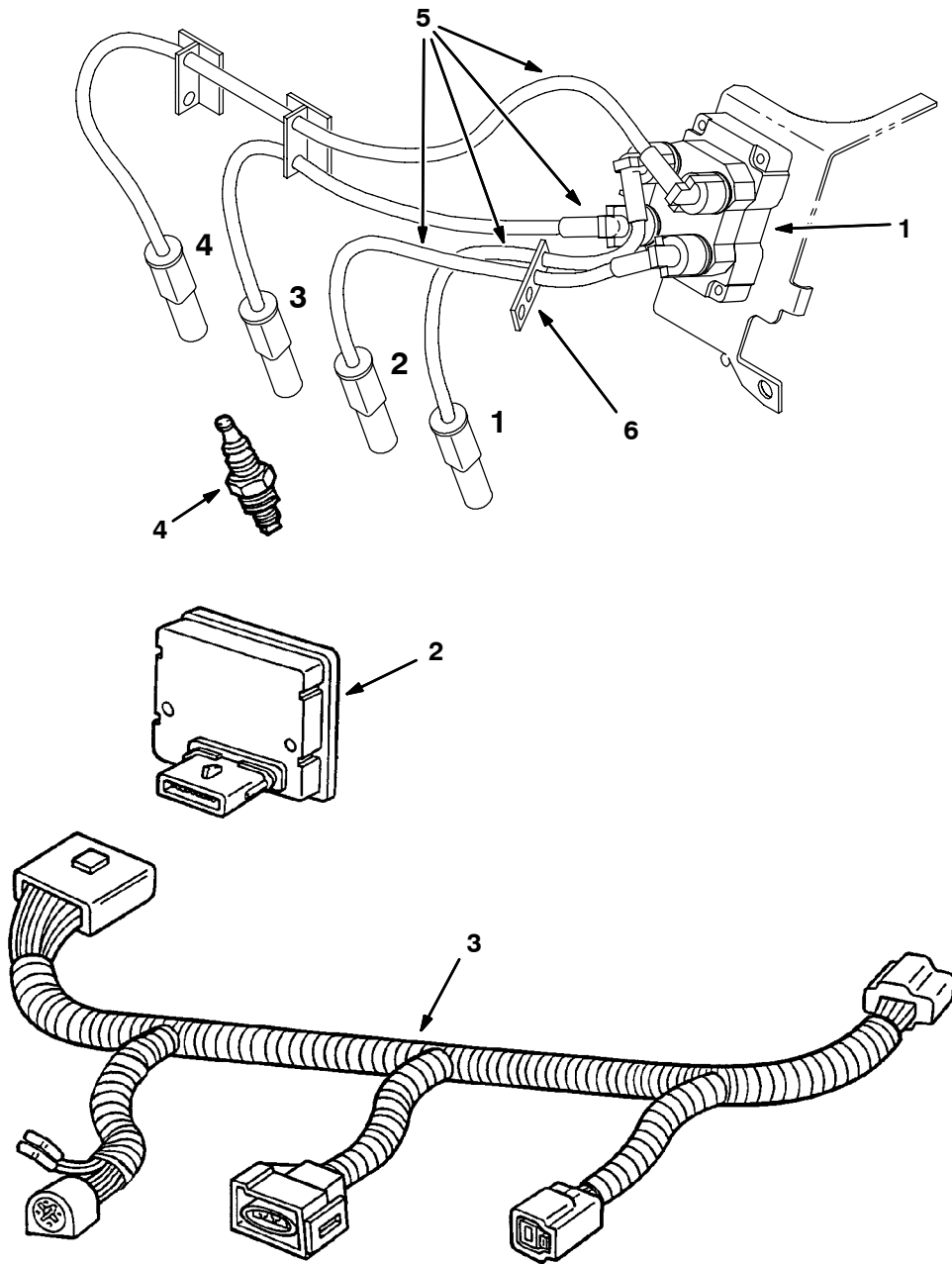


10528 - 800L, 8410, G, LP

Ref.	Part No.	Description	Qty.	
▽	1	84982	Water Pump	1
▲	2	84983	Gskt,Water Pump	1
	3	84984	Bolt,M8X53.0mm	1
	4	84998	Stud	2
▽	5	73996	Water Outlet	1
▲	6	74538	Gasket Water Outlet Connection	1
	7	84988	Bolt,M8X18.0M	2
	8	84987	Therm 190 W/Gsk	1
	9	84994	Bolt, M8X12.0mm	1
	10	36014	Sheave, Water Pump	1
	11	84989	Temperature sensor	1
	12	79975	O-Ring, Water Pump Adaptor	1
	13	84993	Locknut	2

## 2.3L ENGINE BREAKDOWN

Fig. 14 - Ignition Group



10524-350562 - 800L, 8410, G, LP

Ref.	Part No.	Description	Qty.
1	83732	Ignition Coil	1
2	9003676	Module Kit, Ignition, Replmt [Ford 2.3l]	1
3	83707	Wire Harness	1
4	60846	Spark Plug	4
5	83677	Wire Asy, Spark Plug	1
6	84882	Separator	1

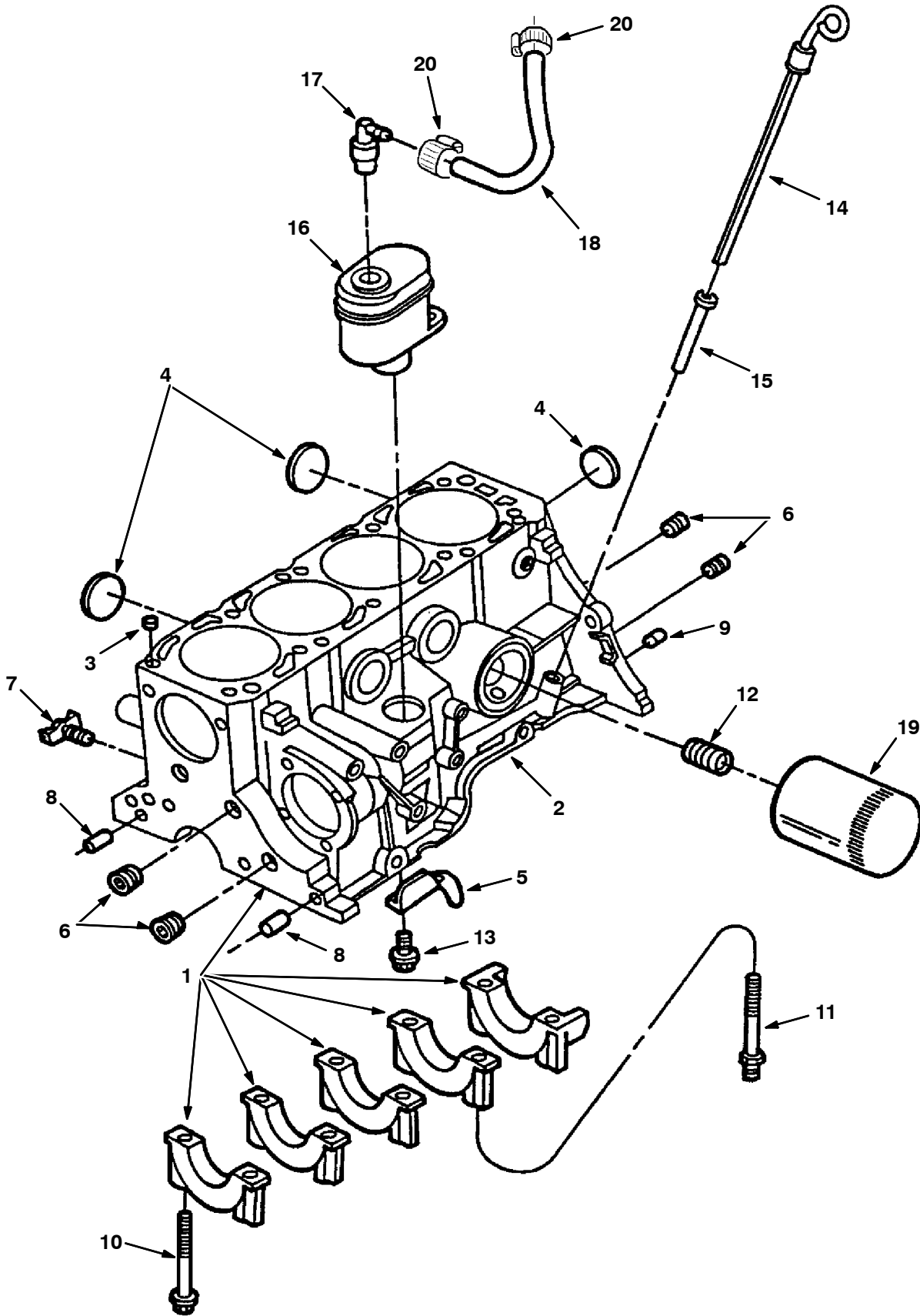


## SECTION 6

<b>Contents</b>	<b>Page</b>
Fig. 1 - Engine Block Group .....	6-2
Fig. 2 - Gaskets Group .....	6-4
Fig. 3 - Cylinder Head Group .....	6-6
Fig. 4 - Cylinder Front Cover Group .....	6-7
Fig. 5 - Starter Breakdown .....	6-8
Fig. 6 - Oil Pan Group .....	6-10
Fig. 7 - Crankshaft Group .....	6-12
Fig. 8 - Manifolds Group .....	6-14
Fig. 9 - Flywheel Group .....	6-16
Fig. 10 - Camshaft And Sprocket Group .....	6-18
Fig. 11 - Valve And Rocker Arm Cover Group ..	6-20
Fig. 12 - Piston And Connecting Rod Group ...	6-22
Fig. 13 - Water Pump, Thermostat and Fan Group .....	6-23
Fig. 14 - Ignition Group .....	6-24

# 2.5L ENGINE BREAKDOWN

Fig. 1 - Engine Block Group

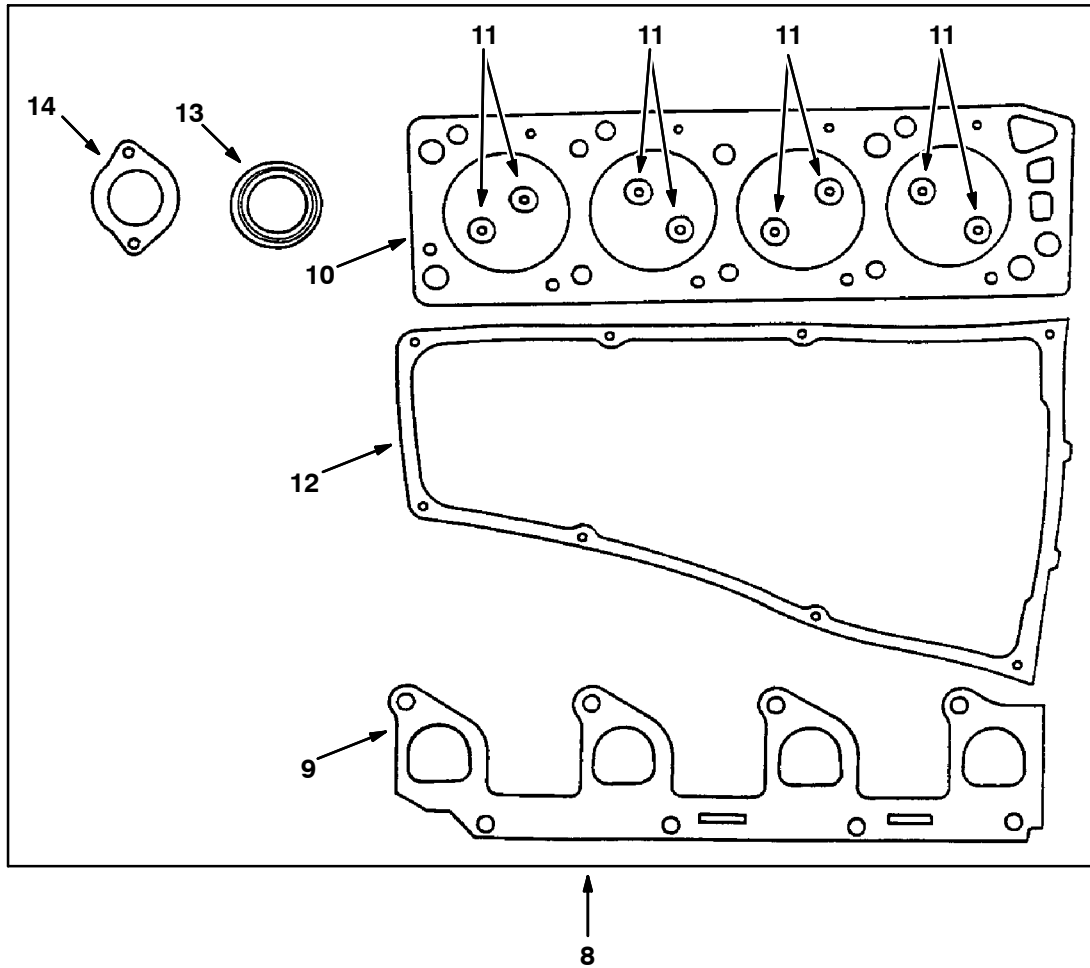
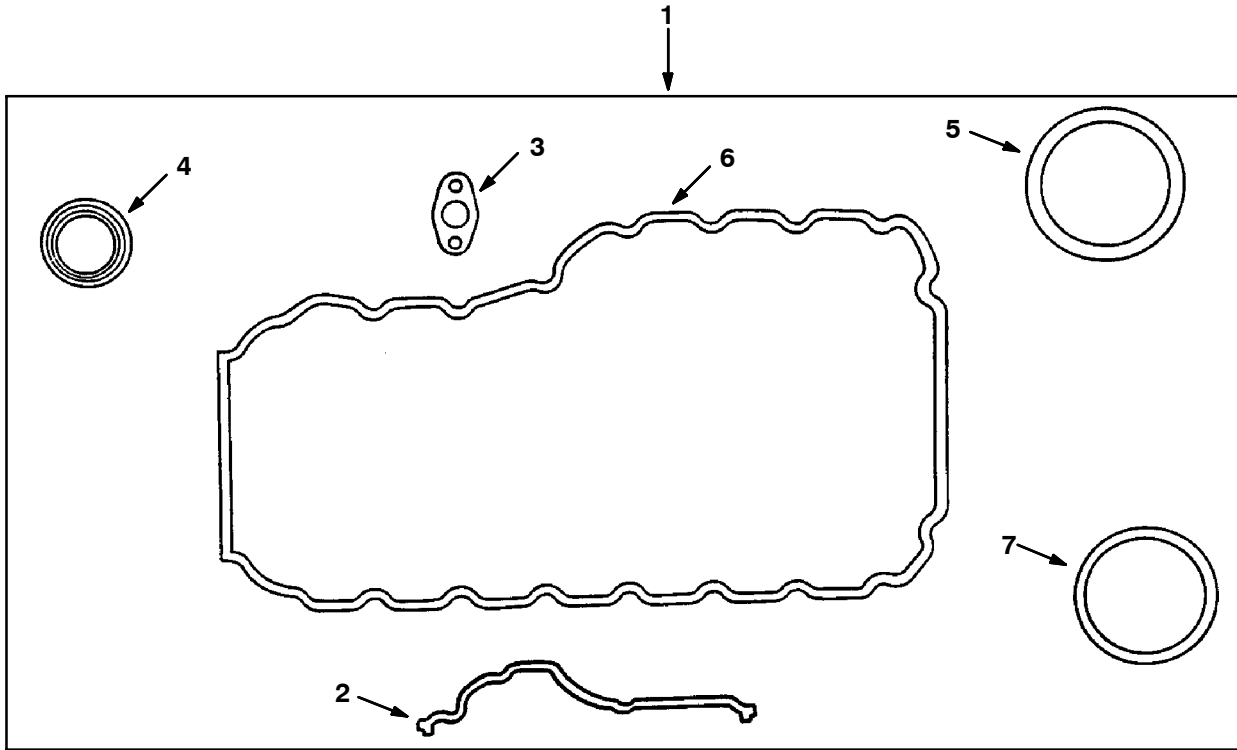


**Fig. 1 - Engine Block Group**

Ref.	Part No.	Description	Qty.
	1	370847 Cyl Block Assy (Short Block Assy)	1
▽	2	370848 Block Assy	1
▲	3	73958 Dowel	2
▲	4	73921 Plug-Std 2.078	5
▲	4	73920 Plug .06 O/S	-
▲	5	84879 Baffle	1
▲	6	73917 Plug 3/8 Npt	5
▲	6	36268 Plug 1/4 Npt	2
▲	7	54911-32 Draincock,End.Block	1
▲	8	84878 Dowel,Frnt Cover	2
▲	9	370873 Dowel	2
▲	10	73950 Bolt M12	9
▲	11	74516 Stud M12	1
	12	84962 Insert-Oilfilt	1
	13	84880 Bolt, M6X16.5mm	2
	14	370850 Indicator,Oil	1
	15	10724 Short Tube	1
	16	84882 Separator	1
	17	84883 Pcv Vlv Asy	1
	18	84884 Hose	1
	19	39703-2 Filter Element, Oil	1
	20	54333 Clamp, Hose, Wormdrive	2

# 2.5L ENGINE BREAKDOWN

Fig. 2 - Gaskets Group

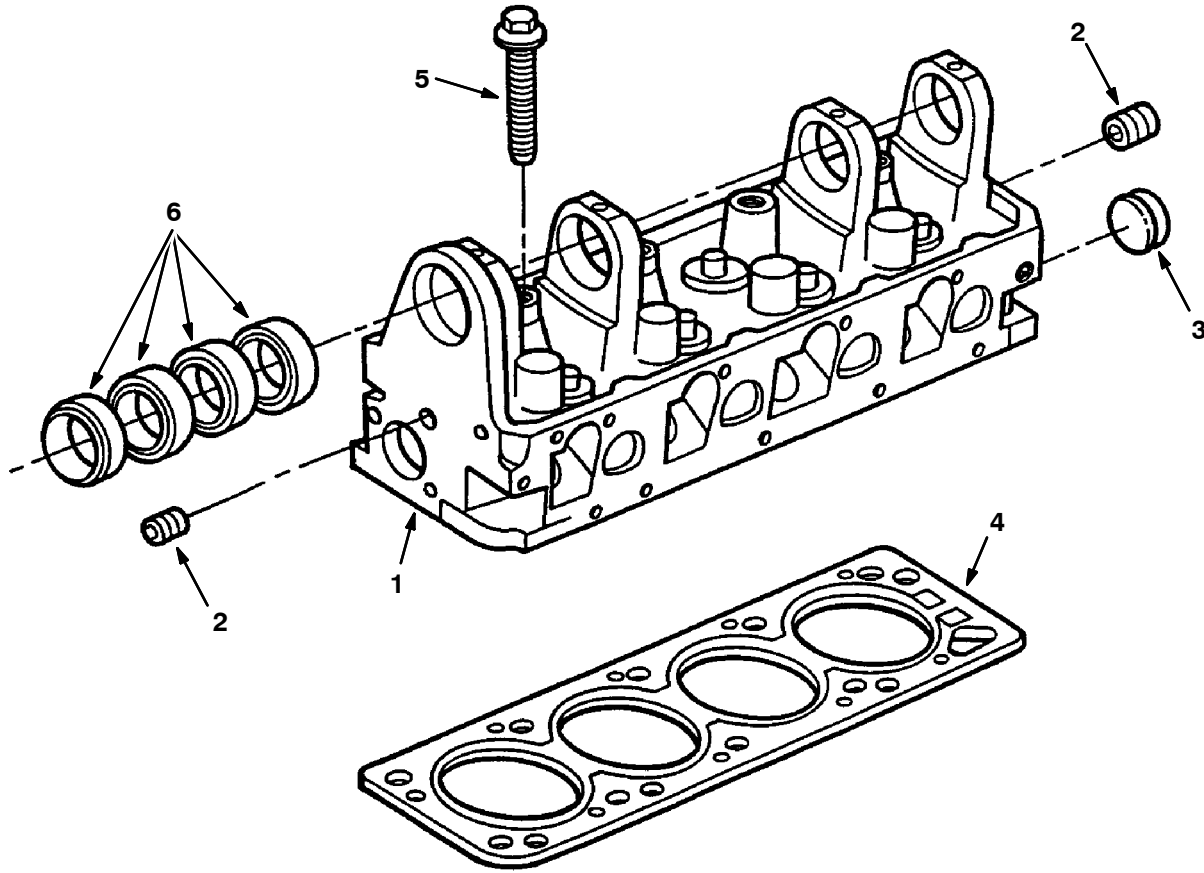


**Fig. 2 - Gaskets Group**

	<b>Ref.</b>	<b>Part No.</b>	<b>Description</b>	<b>Qty.</b>
▽	1	370851	Gskt Kit,Lower	1
▲	2	84896	Gskt,Frnt Cvr	1
▲	3	84887	Gskt,Pmp/Putube	1
▲	4	60833	Oil Seal, Front	1
▲	5	60834	Seal, Rear	1
▲	6	84889	Gasket,Oil Pan	1
▲	7	84983	Gskt,Water Pump	1
▽	8	84891	Gskt Kit,Upper	1
▲	9	84991	Gskt,In.Manfld	1
▲	10	60806	Gasket, Head	1
▲	11	84958	Seal,Valve Stem	8
▲	12	73995	Gskt,Rockr Cvr	1
▲	13	60833	Oil Seal, Front	1
▲	14	74538	Gskt-Waterout	1

## 2.5L ENGINE BREAKDOWN

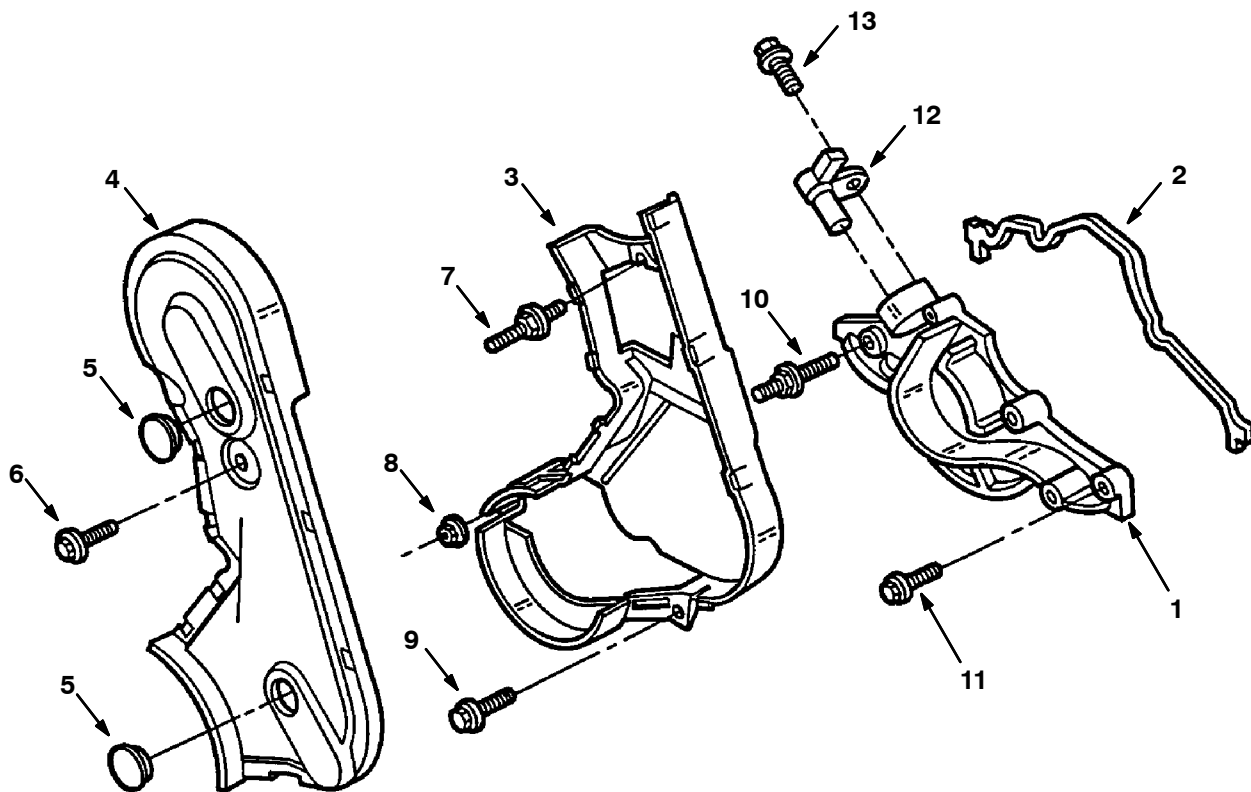
Fig. 3 - Cylinder Head Group



10445 - 800L, 8410, G, LP

Ref.	Part No.	Description	Qty.
1	84907	Head-W/O Valves	1
2	36268	Plug 1/4 Npt	2
3	84910	Plug, 1.50 Cup	1
4	60806	Gasket, Head	1
5	73927	Bolt M12	10
6	60817	Bearing Cam,	4
6	73936	Bearing, .016 Camshaft	-

Fig. 4 - Cylinder Front Cover Group



10446 - 800L, 8410, G, LP

Ref.	Part No.	Description	Qty.
1	84895	Lower Cover	1
2	84896	Gskt,Front Cvr	1
3	84897	Inner Cover	1
4	84898	Outer Cover	1
5	74536	Plug	2
6	84899	Bolt, M8 X 17 Schd	1
7	84900	Stud,M8X51.0mm	1
8	84901	Nut, M6	1
9	84902	Scr&Wsh,M6X22.5	1
10	84903	Stud,M6X61.8mm	1
11	84904	Bolt,M6X37.5mm	3
12	84905	Sensor,Crnksft	1
13	84906	Screw,M6X22.5mm	1

## 2.5L ENGINE BREAKDOWN

Fig. 5 - Starter Breakdown

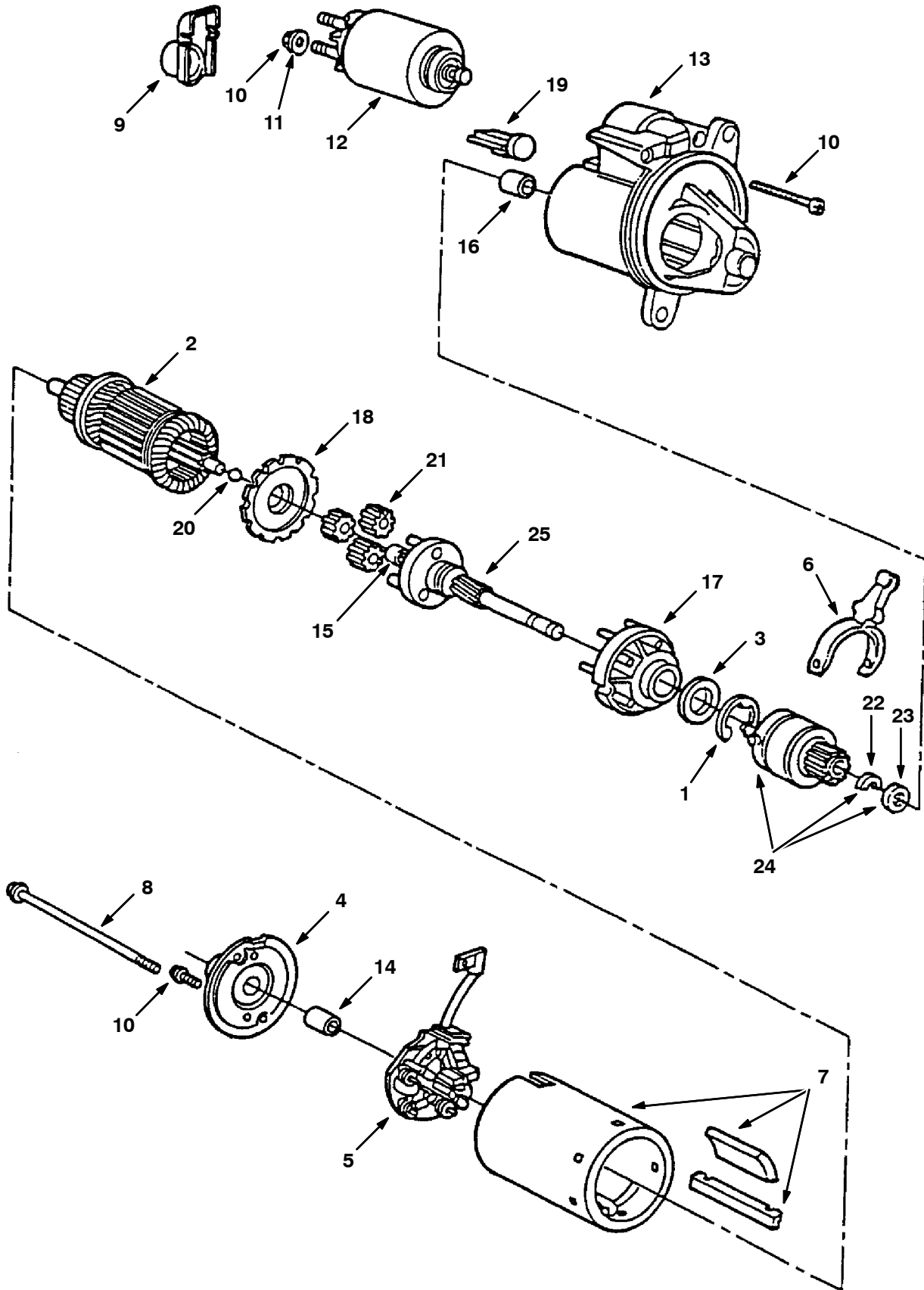




Fig. 5 - Starter Breakdown

	Ref.	Part No.	Description	Qty.
▽		60938	Motor, Starting, Perm Mag, 12V	1
▲	1	79640	Retaining Ring	1
▲	2	84999	Armature	1
▲	3	79956	Washer	1
▲	4	79628	Plate & Brg	1
▲	5	79629	Brush Holder	1
▲	6	79630	Lever	1
▲	7	79631	Frame&Mag.As	1
▲	8	79632	Bolt-Thru	2
▲	9	79970	Term.Cover	1
▲▽	10	79633	Kit-Attaching	1
▲▲	11	79957	Nut&Washer,M8	1
▲	12	370829	Solenoid	1
▲	13	79634	Hsg W/Brg	1
▲	14	79635	Bearing	1
▲	15	79960	Planet Bearing	3
▲	16	79961	Bearing	1
▲	17	79962	Statnry Gear	1
▲	18	79963	Retnr.Gear	1
▲	19	79964	Seal	1
▲	20	79965	Arm.Thr.Ball	1
▲	21	79966	Gear Assy	3
▲	22	79636	Ring-Drv.Stop	1
▲	23	79967	Retainer	1
▲	24	79638	Drive Assy	1
▲	25	79969	Shft Asy,Output	1

Fig. 6 - Oil Pan Group

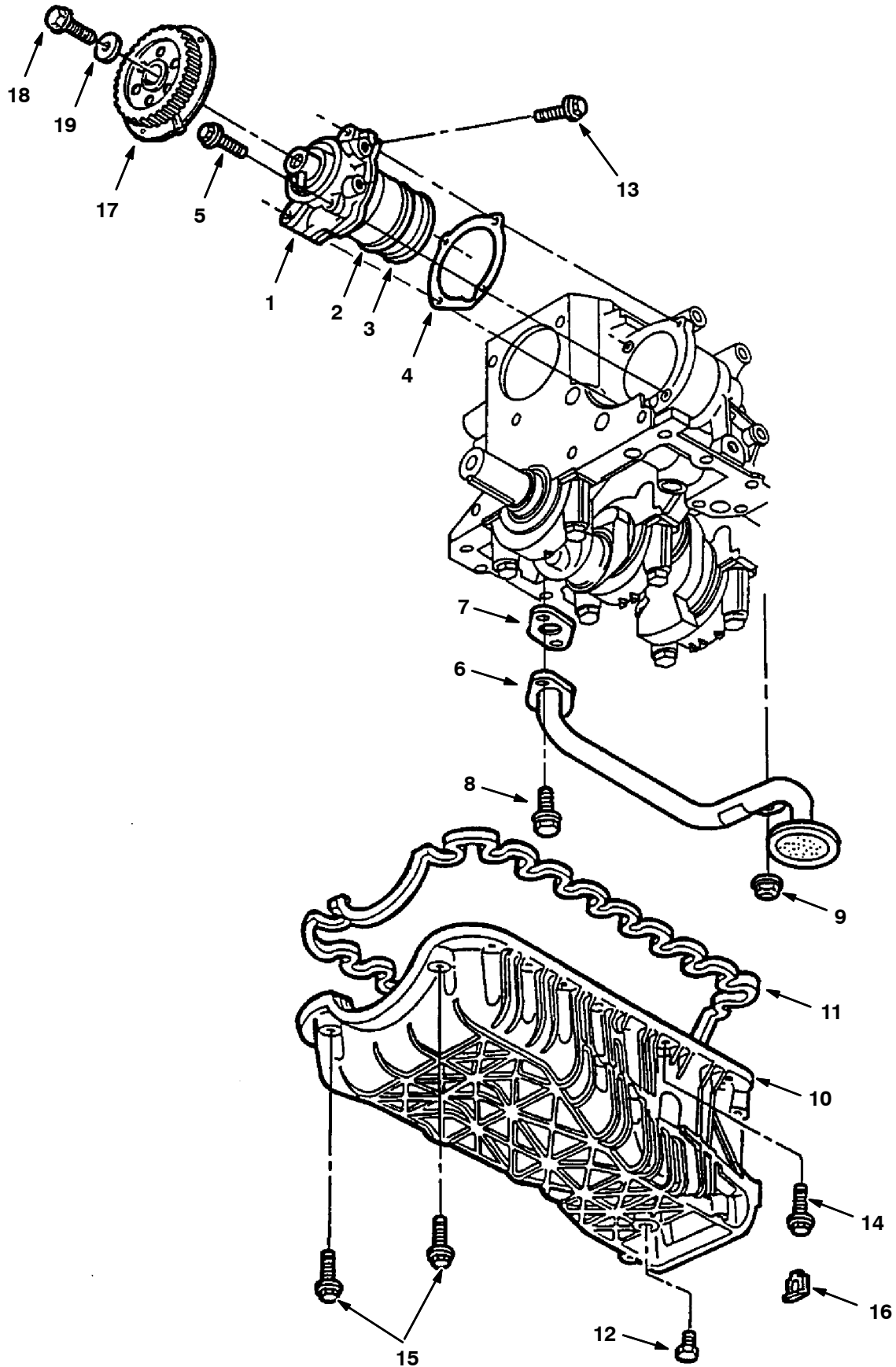


Fig. 6 - Oil Pan Group

Ref.	Part No.	Description	Qty.
1	84963	Oil Pump	1
2	84964	O-Ring,2.375	1
3	84965	O-Ring-2.250	1
4	84966	Gskt,Oilpmp/Blk	1
5	84967	Bolt,M6X47.5mm	4
6	370852	Oil Pickup Tube	1
7	84969	Gskt,Pu Tube	1
8	84970	Bolt,M8X20.0mm	2
9	84971	Nut,M10	1
10	370853	Oil Pan Assy	1
11	84889	Gasket,Oil Pan	1
12	370854	Oil Plug	1
13	84981	Bolt,M5X20.0M	2
14	84973	Bolt,M6X27.5mm	16
15	84974	Bolt,M6X52.5mm	2
16	84975	Oil Pan Spacer	-
16	84976	Oil Pan Spacer	-
16	84977	Oil Pan Spacer	-
17	84978	Oil Pmp Sprkt	1
18	84979	Bolt,M10X40.0mm	1
19	74561	Washer	1

Fig. 7 - Crankshaft Group

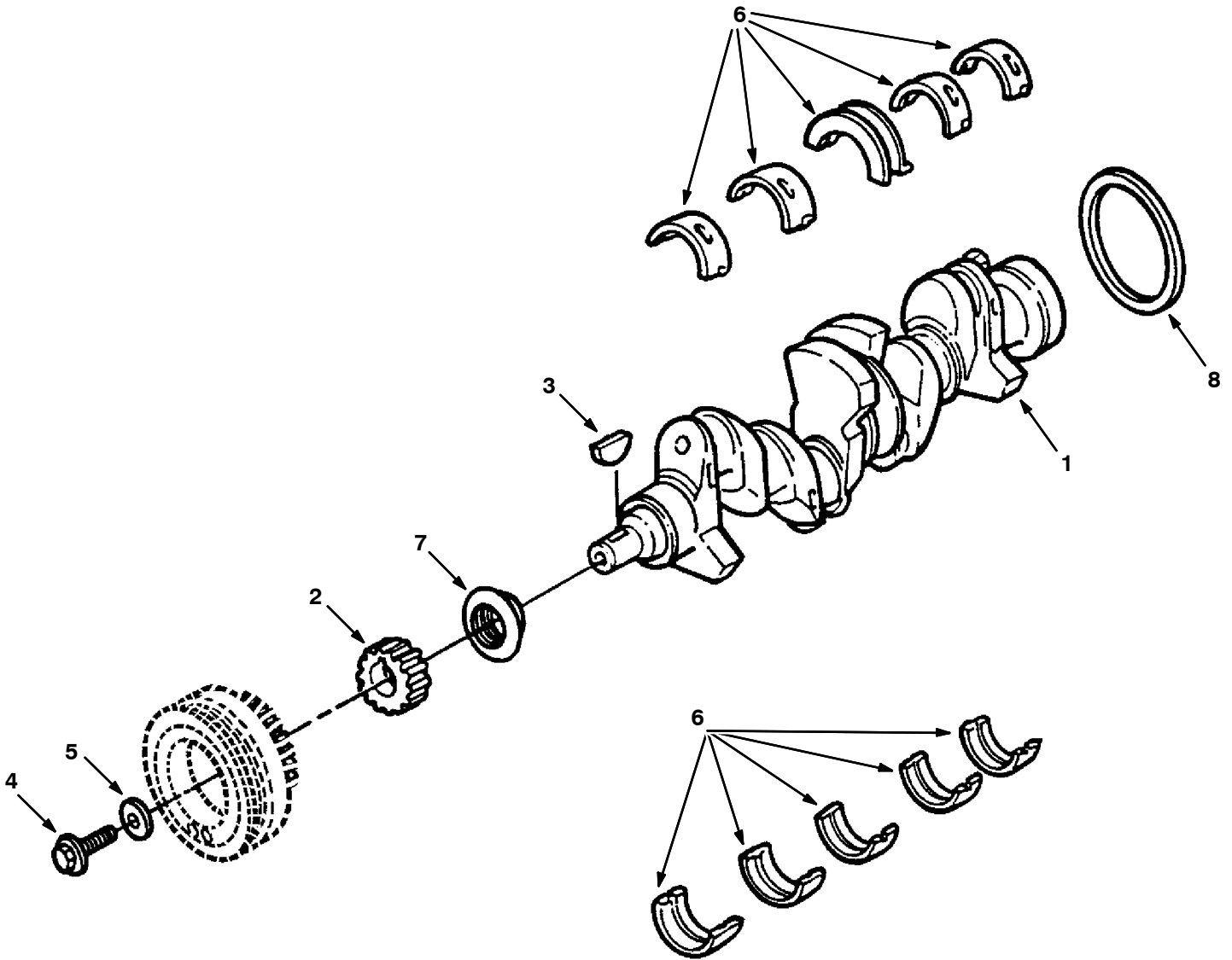


Fig. 7 - Crankshaft Group

Ref.	Part No.	Description	Qty.
1	370855	Crankshaft Asy	1
2	84924	Crnksft Sprckt	1
3	84925	Crnkshaft Key	1
4	84926	Bolt,M14X55.0M	1
5	84927	Wash M15 1.53Od	1
6	1051175	Bearing Kit, Cshft, Std[F2.3/2.5]	4
6	1051167	Bearing Kit, Cshft, .040[F2.3/2.5]	-
6	1051174	Bearing Kit, Cshft, .010[F2.3/2.5]	-
6	1051173	Bearing Kit, Cshft, .020[F2.3/2.5]	-
6	1051172	Bearing Kit, Cshft, .030[F2.3/2.5]	-
7	60833	Oil Seal, Front	1
8	60834	Crnksft Seal-Rear	1

## 2.5L ENGINE BREAKDOWN

Fig. 8 - Manifolds Group

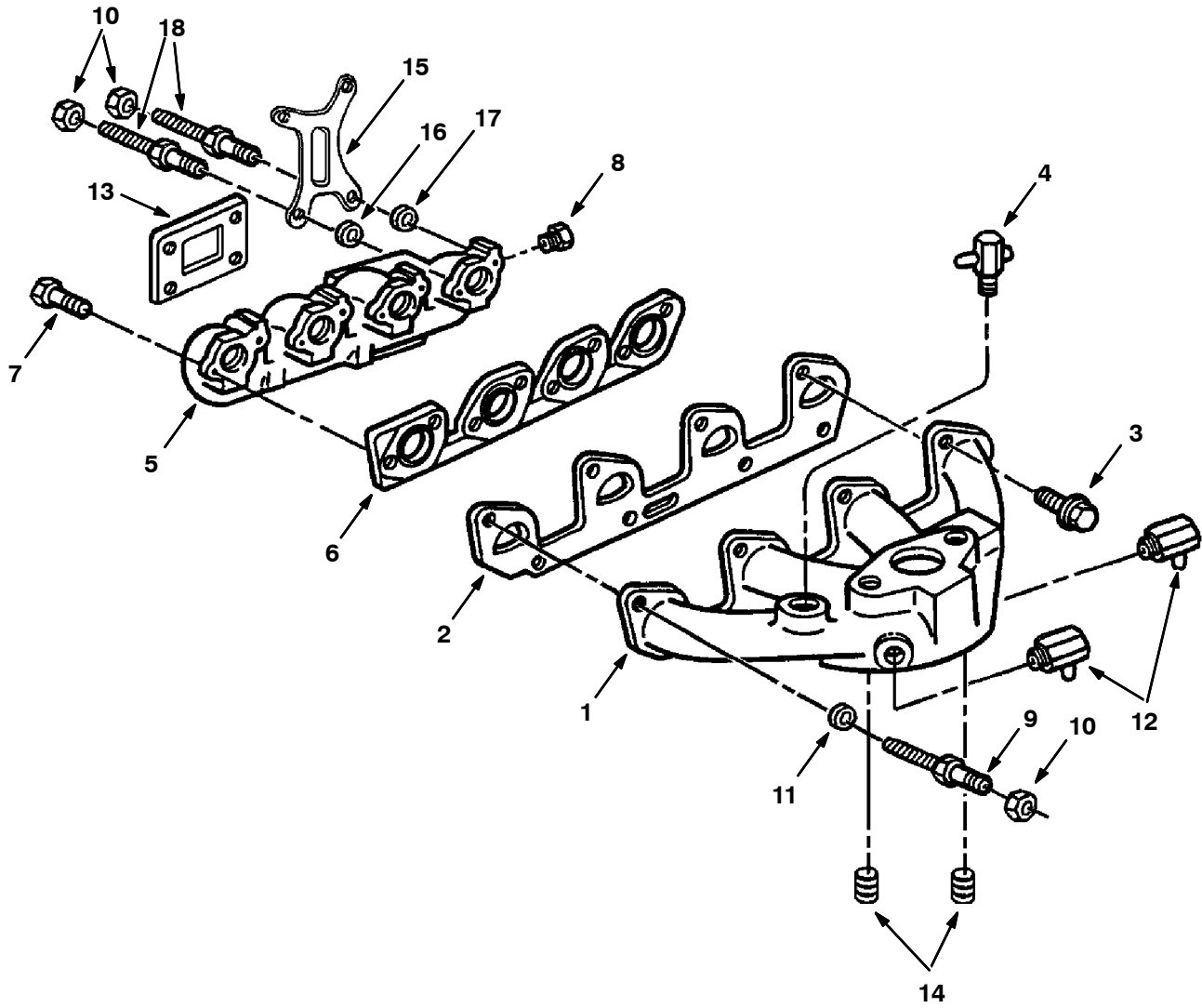
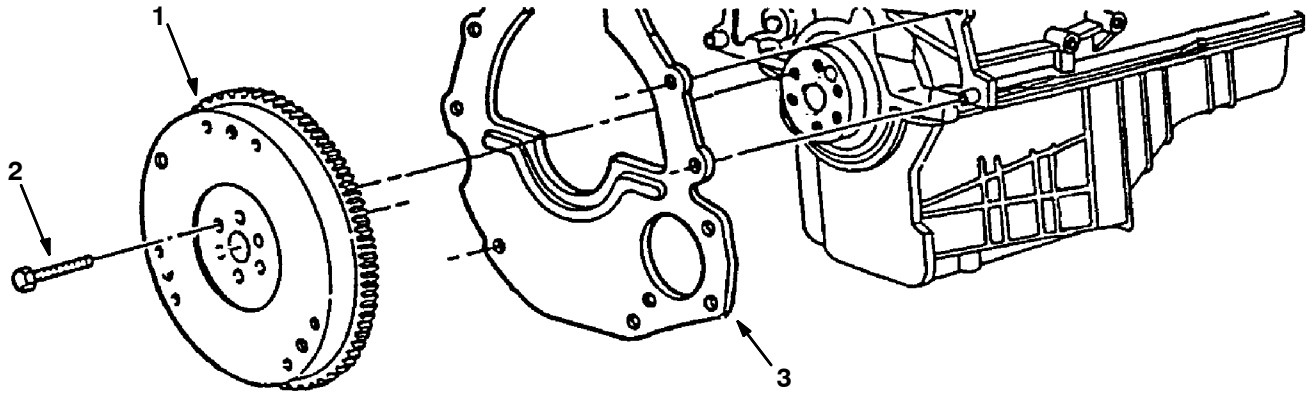


Fig. 8 - Manifolds Group

Ref.	Part No.	Description	Qty.
1	84990	Int.Manifold	1
2	84991	Gskt,Int.Mnflid	1
3	84992	Bolt,M8X25.0mm	7
4	74527	Vac.Fitting	1
5	74509	Exh.Manifold	1
6	84995	Gskt,Exh.Mnflid	1
7	84996	Bolt,M10X55.0M	6
8	84997	Plug, 1/2Npt	1
9	79972	Stud	1
10	79973	Nut M8-1.25	3
11	79974	Spacer	1
12	84985	Elbow,90 deg	2
13	36048	Gasket, Exh. Flange	1
14	73917	Plug 3/8 NPT	2
15	79976	Lifting Eye	1
16	21792	Spacer	1
17	21793	Spacer	1
18	21794	Stud	2

Fig. 9 - Flywheel Group





**Fig. 9 - Flywheel Group**

	<b>Ref.</b>	<b>Part No.</b>	<b>Description</b>	<b>Qty.</b>
▽	1	370102	Flywheel	1
▲		84659	Gear, Ring [Fd]	1
	2	64038	Bolt,M10X58.0mm	6
	3	83669	Rear Plate	1

## 2.5L ENGINE BREAKDOWN

Fig. 10 - Camshaft And Sprocket Group

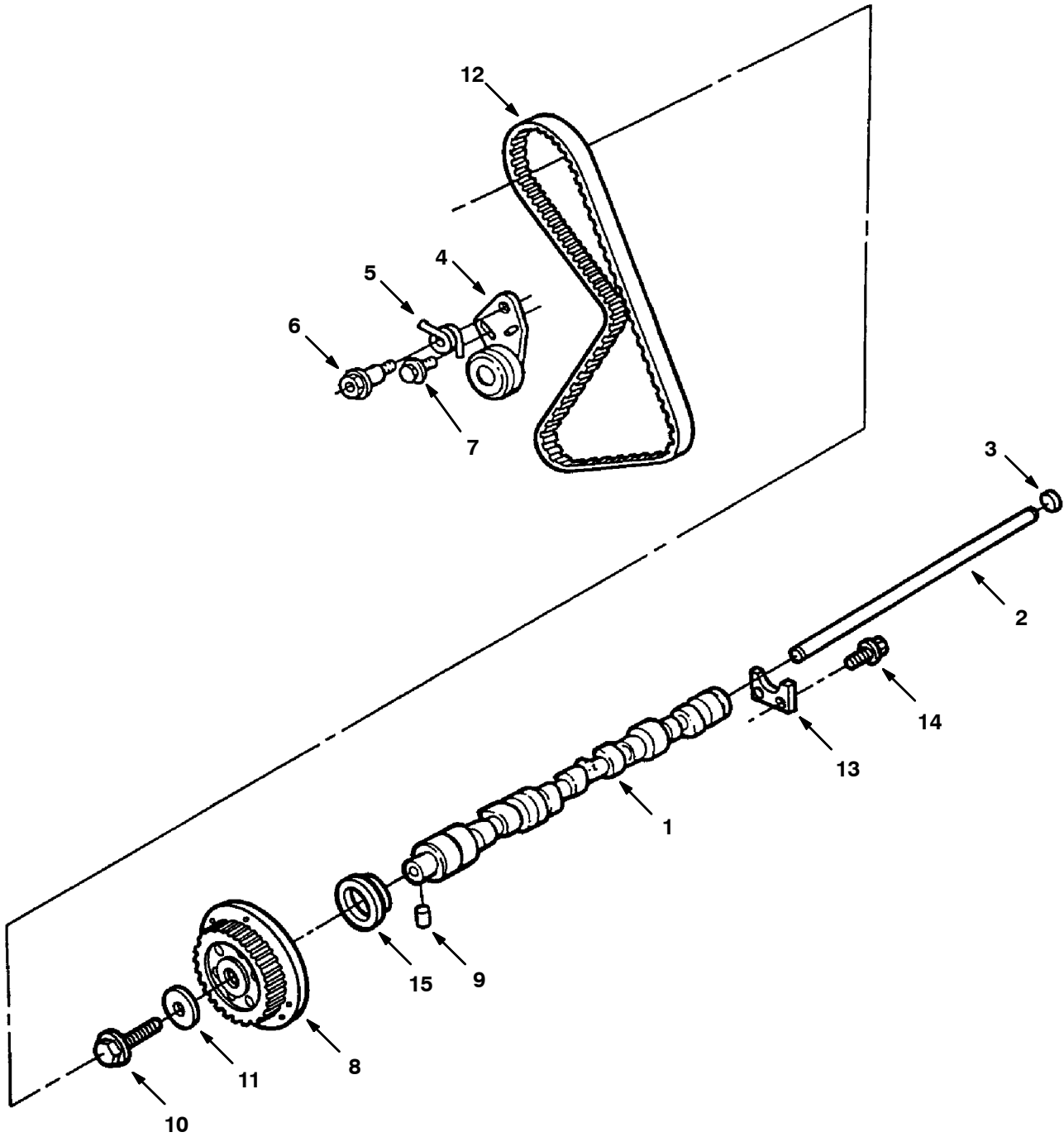
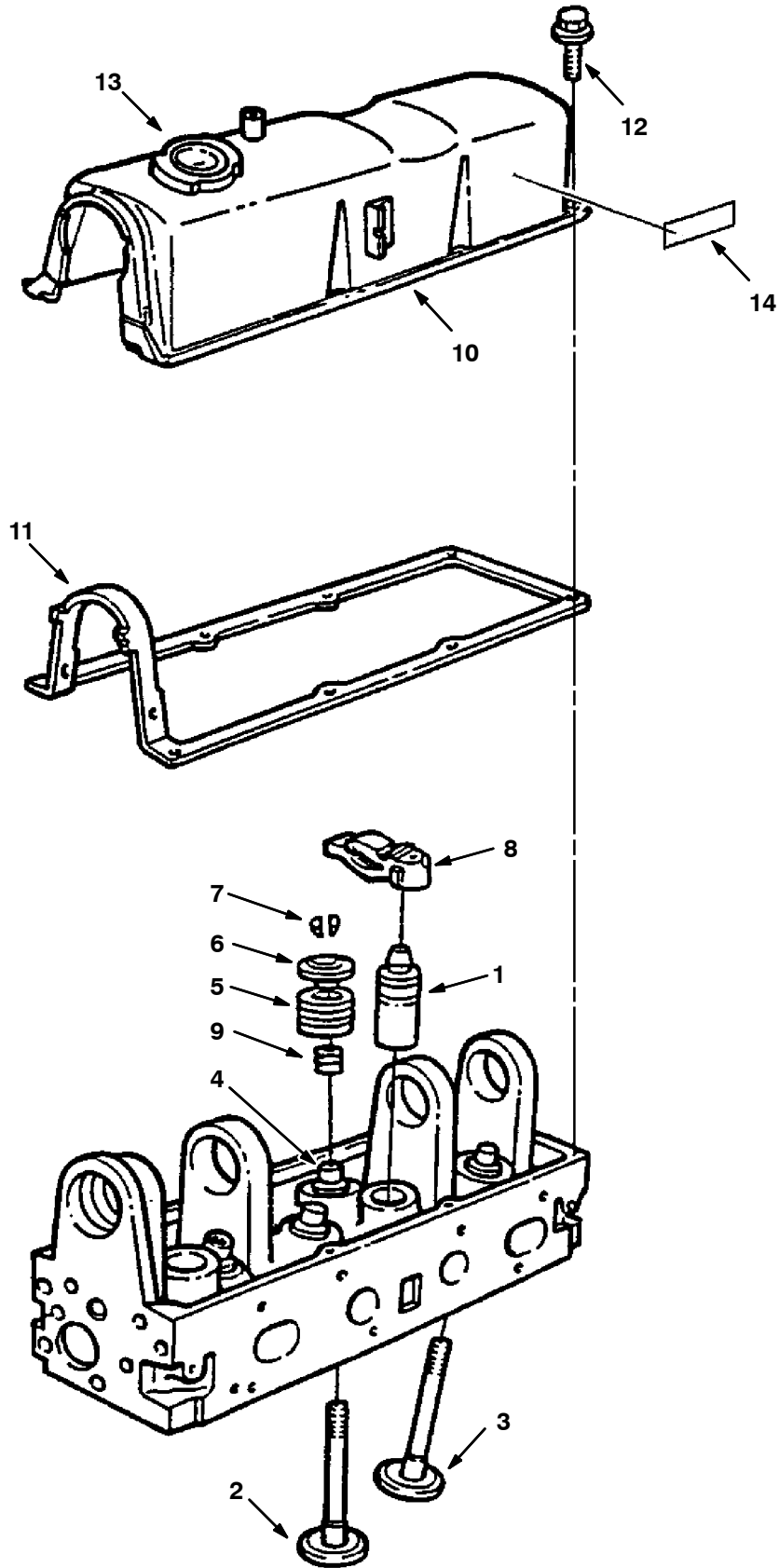


Fig. 10 - Camshaft And Sprocket Group

Ref.	Part No.	Description	Qty.
1	84915	Camshaft	1
2	84916	Rod	1
3	84917	Plug	1
4	73967	Tensioner, Arm	1
5	73970	Spring, Tension	1
6	84919	Bolt, Tens. Sprn	1
7	74552	Bolt	1
8	84978	Camshft Sprckt	1
9	84921	Pin, 1/4X.32	1
10	74545	Bolt M12X45	1
11	73937	Washer	1
12	84936	Timing Belt	1
13	73954	Plate	1
14	74548	Scr&Wash M6	2
15	60833	Oil Seal, Front	1

## 2.5L ENGINE BREAKDOWN

Fig. 11 - Valve And Rocker Arm Cover Group

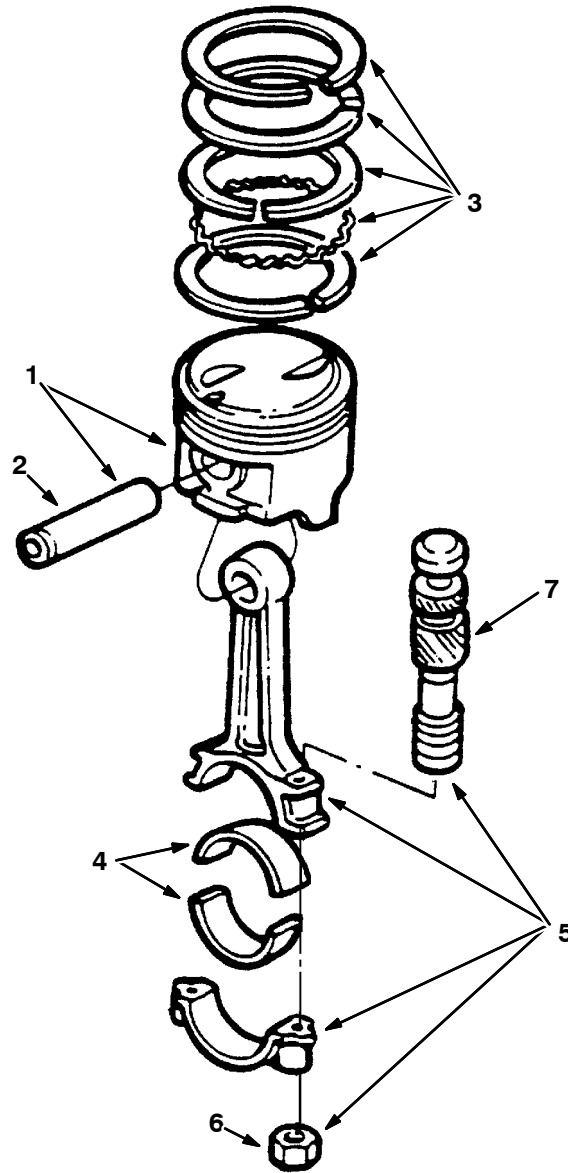


**Fig. 11 - Valves And Rocker Arm Cover Group**

Ref.	Part No.	Description	Qty.
1	84950	Tap.Assy-Valve	8
2	84951	Std.Exh.Valve	4
3	84952	Std.Int.Valve	4
4	84953	Valve Guide Bushing	-
5	84954	Valve Spring	8
6	84955	Valve Spring Retainer	8
7	84956	Valve Spring Key	16
8	84957	Valve Rocker Arm	8
9	84958	Valve Stem Seal	8
10	370876	Valve Rocker Arm Cover	1
11	73995	Gasket,Rocker Cover	1
12	84961	Scr&Wsh,M6X15.0M	8
13	60836	Breather Cap	1
14	36164	Warning Label, Starter	1

## 2.5L ENGINE BREAKDOWN

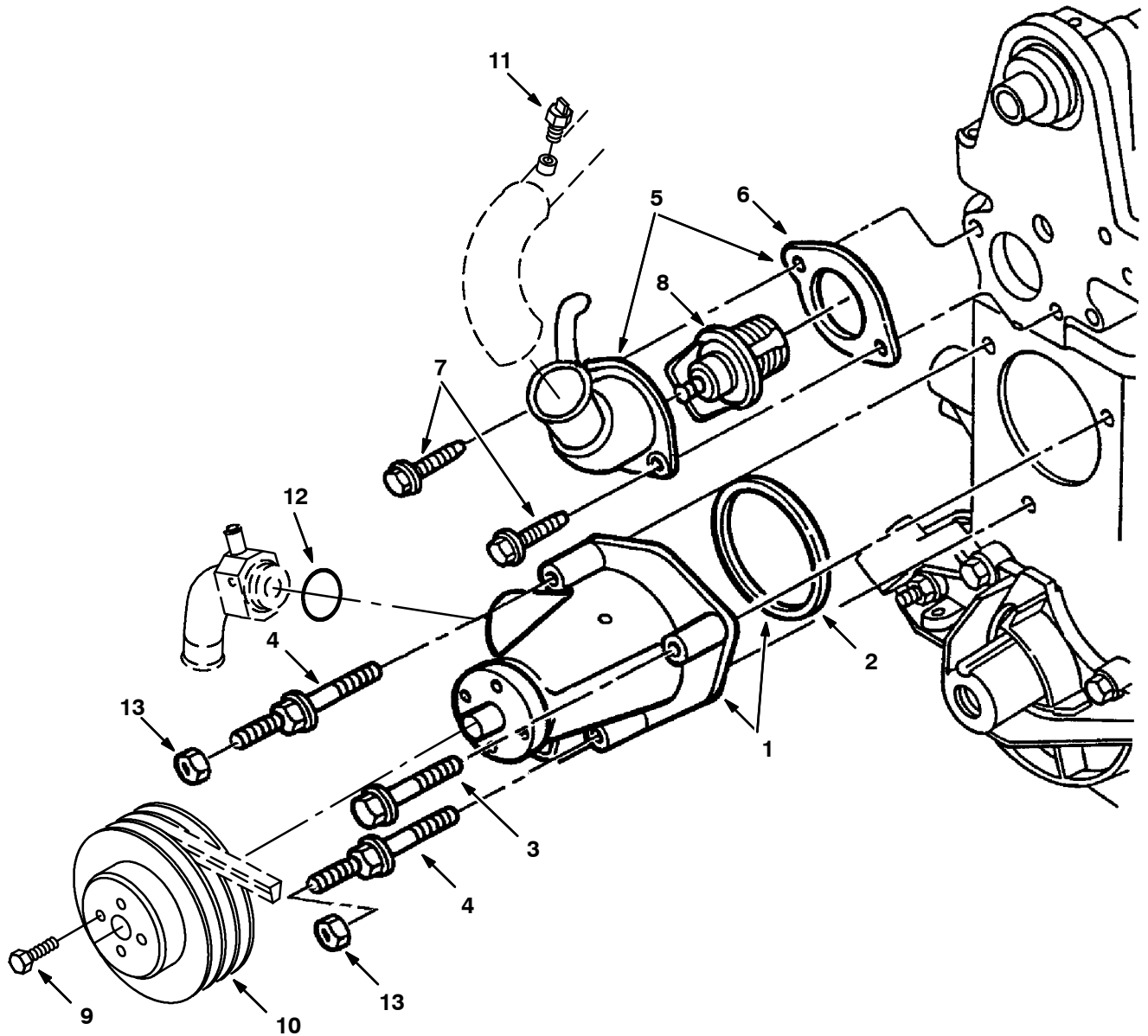
Fig. 12 - Piston And Connecting Rod Group



10447 - 800L, 8410, G, LP

Ref.	Part No.	Description	Qty.	
1	370888	Piston, Std.	4	
2	370889	Piston Pin	4	
3	370890	Ring Set, Std.	2	
4	370891	Bearing	8	
▽	5	370892	Connecting Rd	4
▲	6	60813	Nut, Conrod-8	8
▲	7	60814	Bolt-Conrod-4	8

Fig. 13 - Water Pump, Thermostat and Fan Group

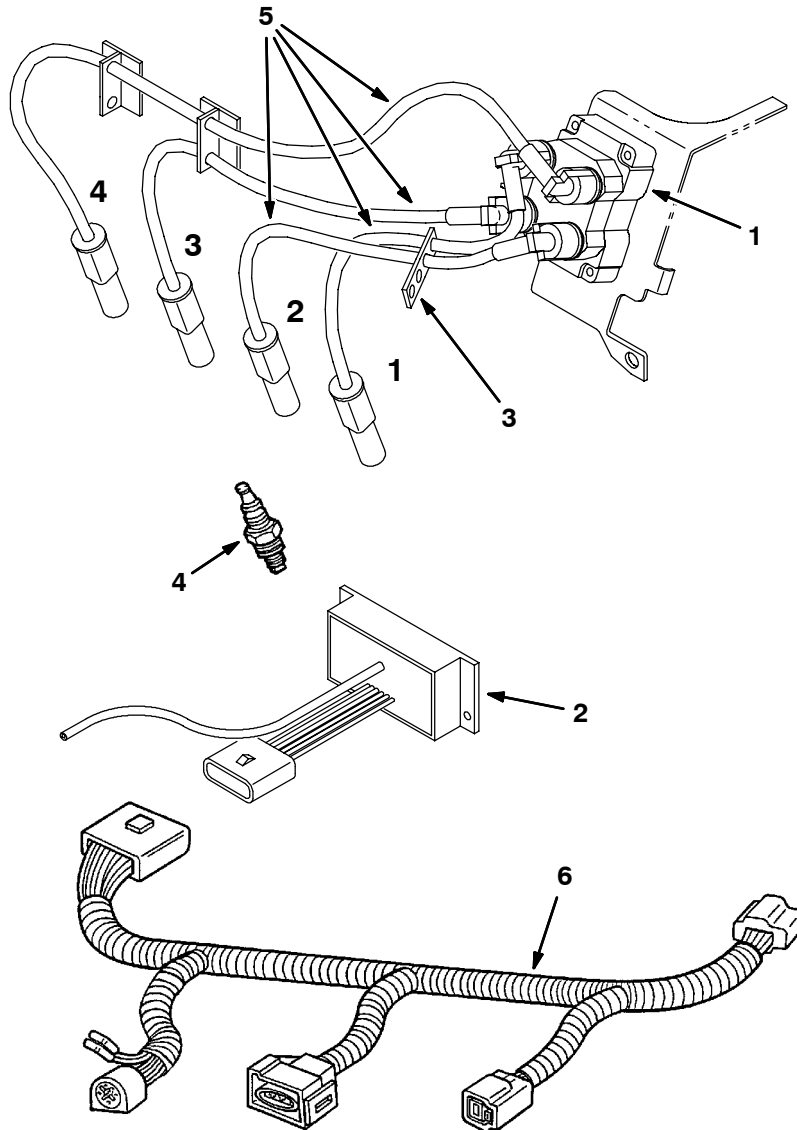


10528 - 800L, 8410, G, LP

Ref.	Part No.	Description	Qty.	
▽	1	84982	Water Pump	1
▲	2	84983	Gskt,Water Pump	1
	3	84984	Bolt,M8X53.0mm	1
	4	84998	Stud	2
▽	5	73996	Water Outlet	1
▲	6	74538	Gasket Water Outlet Connection	1
	7	84988	Bolt,M8X18.0M	2
	8	84987	Therm 190 W/Gsk	1
	9	84994	Bolt, M8X12.0mm	1
	10	36014	Sheave, Water Pump	1
	11	84989	Temperature sensor	1
	12	79975	O-Ring, Water Pump Adaptor	1
	13	84993	Locknut	2

## 2.5L ENGINE BREAKDOWN

Fig. 14 - Ignition Group



10524-350562 - 800L, 8410, G, LP

Ref.	Part No.	Description	Qty.
1	83732	Ignition Coil	1
2	374274	Ignition Module Kit	1
3	84882	Separator	1
4	60846	Spark Plug	4
5	83677	Wire Asy, Spark Plug	1
6	370875	Harness, Wire, Eng	1



# SECTION 7

<b>Contents</b>	<b>Page</b>
Fig. 1 - Cylinder Head, Valves Group . . . . .	7-2
Fig. 2 - Distributor and Ignition Group . . . . .	7-4
Fig. 3 - Engine Block and Piston Group . . . . .	7-6
Fig. 4 - Oil Pump and Oil Pan Group . . . . .	7-8
Fig. 5 - Crankshaft Group . . . . .	7-10
Fig. 6 - Camshaft and Water Pump Group . . . . .	7-12

Fig. 1 - Cylinder Head, Valves Group

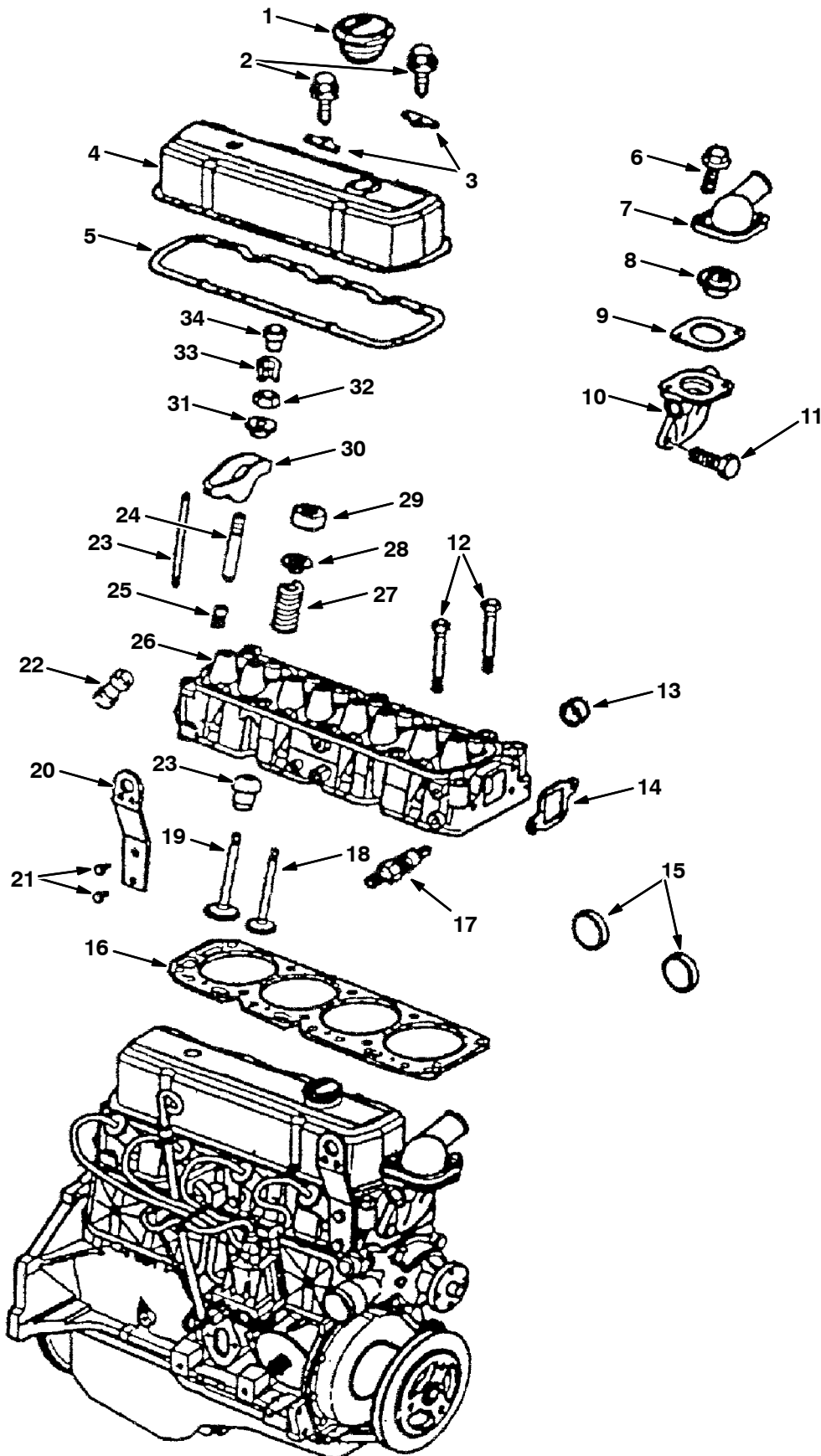
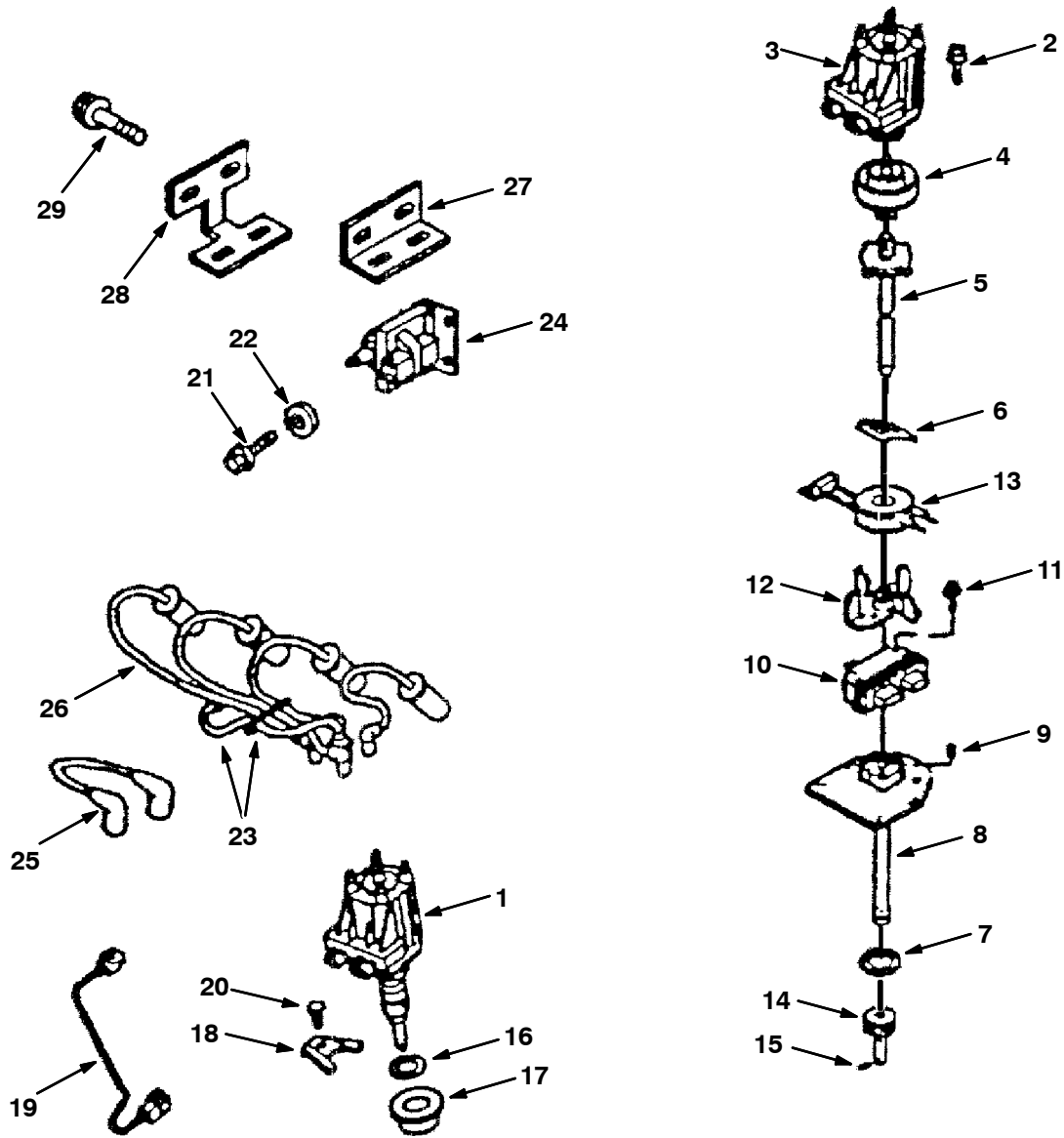


Fig. 1 - Cylinder Head, Valves Group

Ref.	Part No.	Description	Qty.
1	371891	Cap, Fill, Oil	1
2	393824	Bolt	-
3	393895	Reinforcement	-
4	393896	Cover	1
5	393897	Gasket	-
6	393898	Bolt	3
7	393899	Outlet For engine serial numbers (003179-004499)	1
8	393900	Thermostat	1
9	393901	Gasket	1
10	393902	Housing	1
11	393898	Bolt	3
12	393903	Bolt	-
13	393904	Plug	2
14	393917	Gasket	1
15	393918	Plug	-
16	393933	Gasket	1
17	393934	Spark Plug	4
18	393935	Valve, Exhaust	4
19	393936	Valve, Intake	4
20	393937	Bracket	1
21	393938	Bolt	8
22	393951	Lifter	8
23	393952	Rod	8
24	393953	Stud, .003" O.S.	8
24	393954	Stud, .013" O.S.	8
25	393955	Sealer	8
26	393956	Head	1
27	393957	Spring	8
28	393958	Cap, Valve Spring	8
29	393959	Shield	12
30	393960	Arm Kit	8
31	393961	Ball	8
32	393962	Nut	8
33	393963	Key	16
34	393964	Rotator	4

Fig. 2 - Distributor and Ignition Group



**Fig. 2 - Distributor and Ignition Group**

<b>Ref.</b>	<b>Part No.</b>	<b>Description</b>	<b>Qty.</b>
1	9006584	Distributor	1
2	393919	Bolt	2
3	9006585	Cap, Distributor	1
4	393921	Rotor	1
5	393922	Shaft	1
6	393923	Retainer	1
7	393924	Sealer	1
8	393925	Housing	1
9	393926	Pin	1
10	393927	Module	1
11	393928	Bolt	2
12	393929	Pole Piece	1
13	393930	Coil	1
14	393931	Gear	1
15	393932	Pin	1
16	393940	Gasket	1
17	393941	Washer	1
18	393942	Clamp	1
19	393943	Wire	1
20	393898	Bolt	3
21	21194	Screw, Hex, .38-16 X 0.62, 5	1
22	393946	Washer	2
23	393947	Retainer	-
24	9006587	Coil	1
25	9006588	Wire	1
26	9006583	Spark Plug Wires	1
27	393965	Bracket, Top	1
28	393966	Bracket, Bottom	1
29	393967	Bolt	-

Fig. 3 - Engine Block and Piston Group

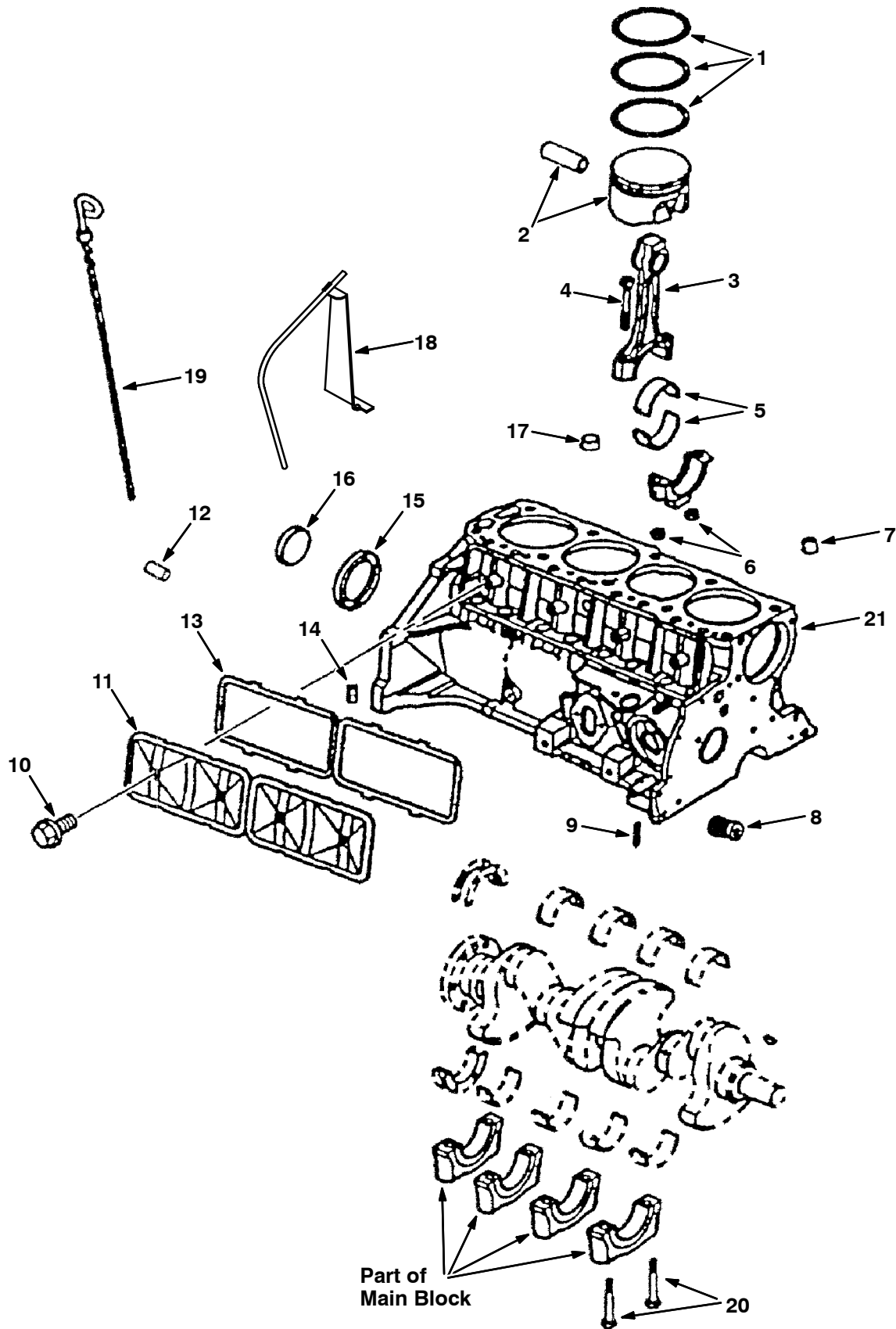


Fig. 3 - Engine Block and Piston Group

Ref.	Part No.	Description	Qty.
1	393806	Ring Kit, Std	4
1	393807	Ring Kit, .030" O.S.	4
2	393808	Piston, STD	4
2	393809	Piston, Hi-limit	4
2	393810	Piston, .020" O.S.	4
3	393811	Conn Rod	4
4	393812	Bolt	8
5	393813	Bearing Kit, Std	4
5	393814	Bearing Kit, .001 U.S.	4
6	393815	Nut, Conn Rod	8
7	393816	Bearing Kit	1
8	393832	Valve	1
9	393833	Pin	8
10	393882	Bolt	4
11	393883	Cover	1
12	393884	Pin	2
13	393662	Sealant, [Rtv], 03.35oz	-
13	393663	Sealant, [Rtv], 05.00oz	-
14	393886	Plug	1
15	393888	Plug	1
16	393889	Plug	-
17	393890	Plug	1
18	372464	Tube, Ds	1
19	372251	Dipstick	1
20	393872	Bolt	10
21	393887	Engine, Partial (Includes block, pistons, rods, crankshaft, bearings, rear seal gasket)	1

Fig. 4 - Oil Pump and Oil Pan Group

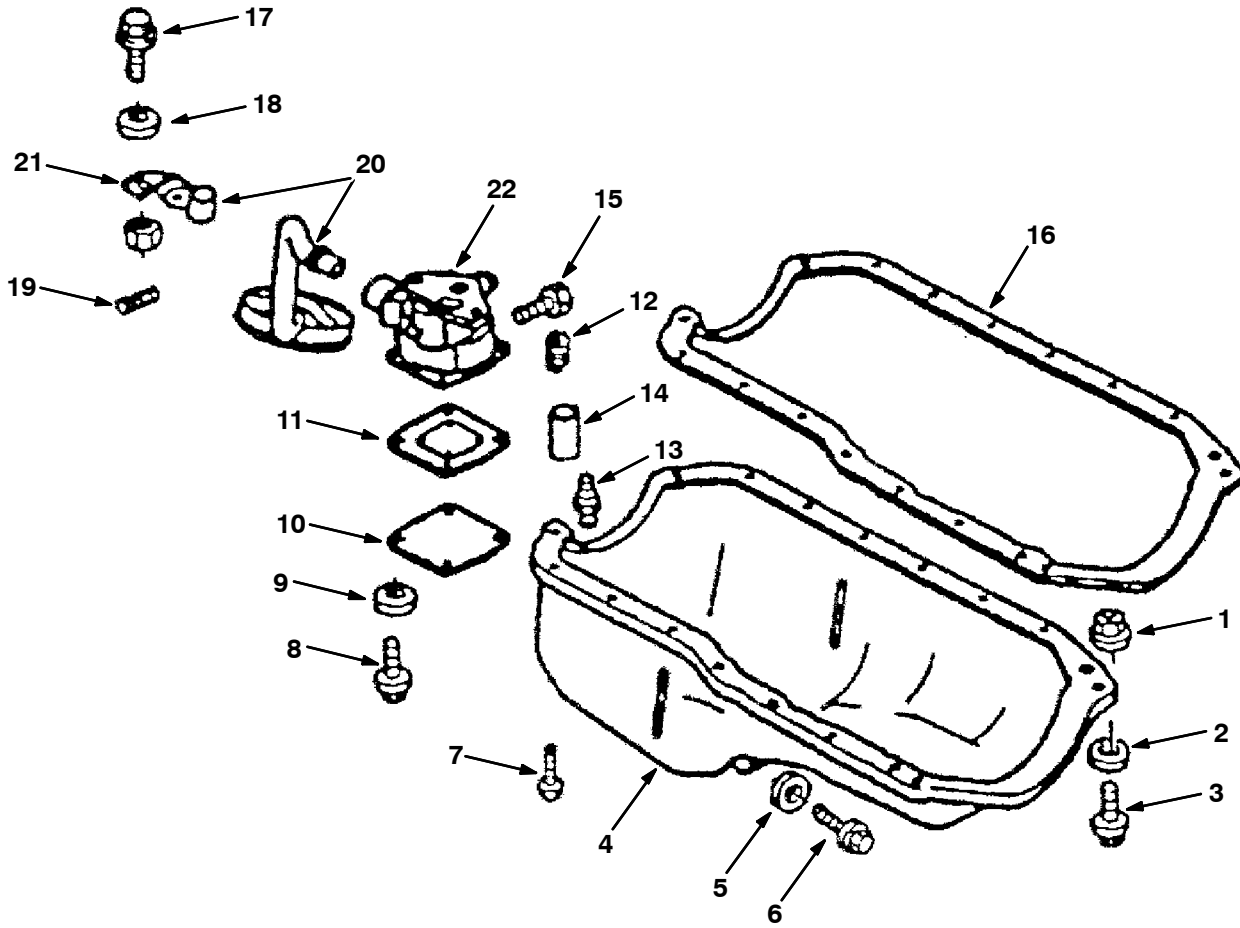
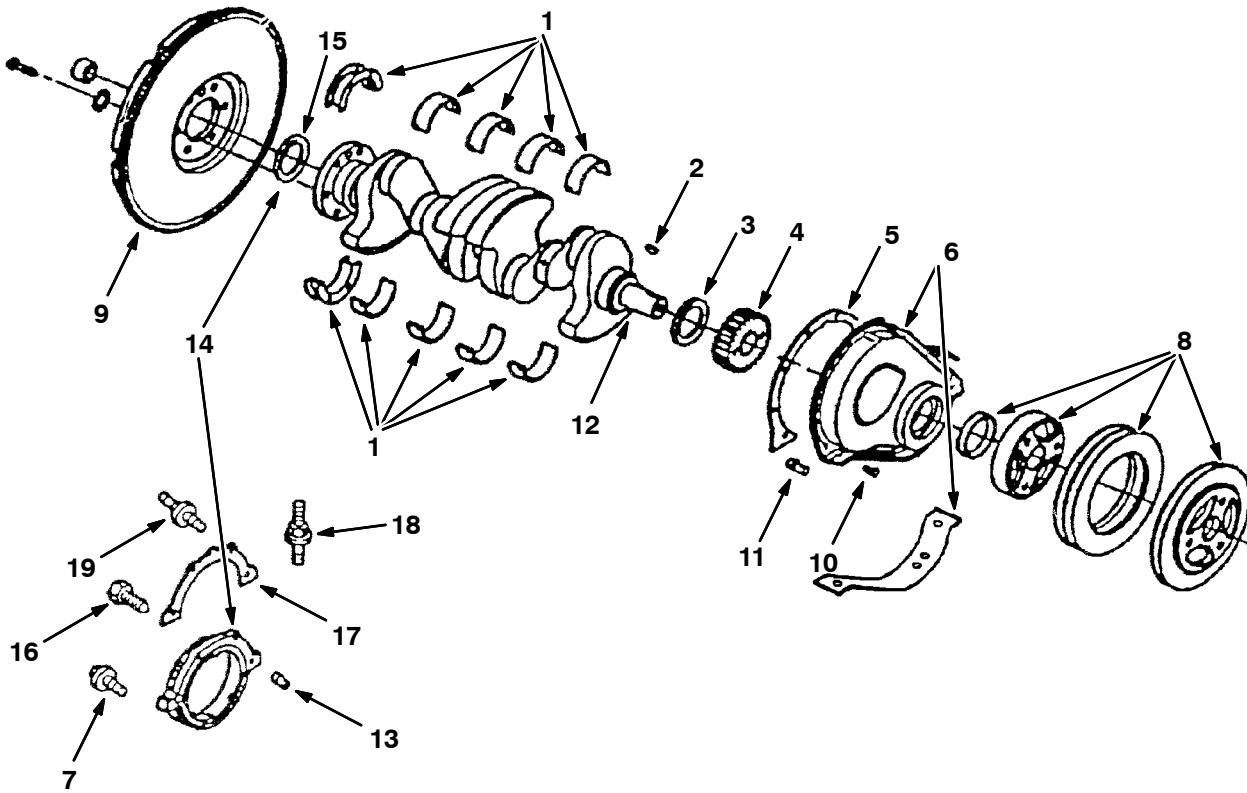




Fig. 4 - Oil Pump and Oil Pan Group

	Ref.	Part No.	Description	Qty.
	1	393848	Nut	-
	2	393849	Washer	-
	3	393850	Bolt	-
▽	4	393853	Oil Pan	1
▲	5	393852	Gasket	1
▲	6	393851	Plug	1
	7	393824	Bolt (1/4-20x1/2)	2
	7	393850	Bolt (1/4-20x.62)	2
	7	393854	Bolt (5/16-18x5/8)	12
	8	393855	Screw	4
	9	393849	Washer	4
	10	393856	Cover	1
	11	393857	Gasket	1
	12	393858	Spring	1
	13	393859	Plug	1
	14	393860	Valve	1
	15	393861	Bolt	3
	16	393862	Gasket	1
	17	393867	Bolt	-
	18	393868	Washer	-
	19	393869	Pin	1
	20	393871	Screen, w/Tube	1
▽	20	393870	Screen, w/Suction Pipe	1
▲	21	393865	Bracket	1
	22	393863	Pump	1

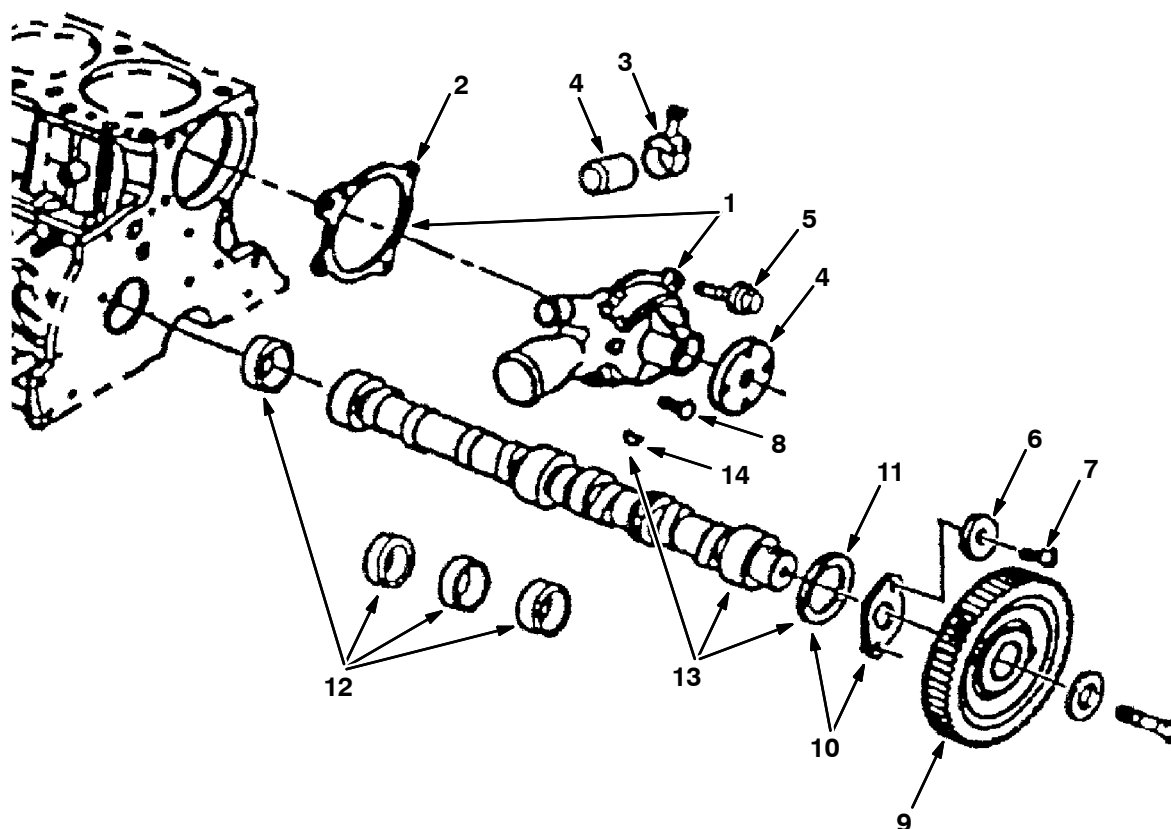
Fig. 5 - Crankshaft Group



**Fig. 5 - Crankshaft Group**

<b>Ref.</b>	<b>Part No.</b>	<b>Description</b>	<b>Qty.</b>	
1	393837	Bearing Kit, Std #1, 2, 3, 4	4	
1	393838	Bearing Kit, .001" #1, 2, 3, 4	4	
1	393839	Bearing Kit, .010" #1, 2, 3, 4	1	
1	393840	Bearing Kit, .020" #1, 2, 3, 4	1	
1	393841	Bearing Kit, .030" #1, 2, 3, 4	1	
1	393836	Bearing Kit, Std #5	4	
1	393834	Bearing Kit, .001" #5	4	
1	393835	Bearing Kit, .025" #5	4	
2	393826	Key	1	
3	393842	Seal	1	
4	393843	Gear	1	
5	393844	Gasket	1	
6	393845	Cover	1	
7	393875	Bolt	-	
8	393846	Balancer	1	
9	393881	Gear	1	
10	393824	Bolt	8	
11	393864	Nozzle	1	
12	393866	Crankshaft	1	
13	393873	Pin	1	
▽	14	393874	Housing	1
▲	15	393880	Seal	1
	16	393876	Bolt	-
	17	393877	Gasket	1
	18	393878	Stud	1
	19	393879	Stud	2

**Fig. 6 - Camshaft and Water Pump Group**



G, LP

	Ref.	Part No.	Description	Qty.
▽	1	393820	Water Pump	1
▲	2	393817	Gasket	1
	4	393818	Cap	1
	3	393819	Clamp	1
	5	393821	Bolt	1
	6	393822	Washer	1
	7	393823	Bolt (1/4-20x1/12 Hex)	1
	7	393824	Bolt (1/4-20x1/12)	3
	8	393825	Bolt (5/16-18x1.5 Hex)	2
	9	393827	Gear	1
▽	10	393828	Plate Kit	1
▲	11	393829	Ring	3
	12	393830	Bearing Kit	1
▽	13	393831	Camshaft	2
▲	14	393826	Key	1

# SECTION 8

**CONTENTS**

**PAGE**

PART NUMBER TO PAGE NUMBER CROSS REFERENCE LIST ..... 8-2  
PART DESCRIPTION TO PAGE NUMBER CROSS REFERENCE LIST ..... 8-18

# CROSS REFERENCE

## PART NUMBER TO PAGE NUMBER CROSS REFERENCE LIST

Part Number	Page Number	Part Number	Page Number	Part Number	Page Number
MM337	3-84	06949	2-91, 2-95, 2-111	09011	2-27
00500-15	4-36	06957	2-168, 2-171, 3-24	09028	2-35, 2-167, 3-23
00912	2-173	06962	2-101, 2-103	09081	2-163, 3-28
00954	4-38	06963	2-137	09120	2-171
00960	2-129, 2-131, 2-133, 4-39	06965	2-168, 3-24	09145	2-133
01274	2-31	06966	3-55	09164	2-35
01516	2-173	06968	2-48, 2-171	09206	3-15
01685	2-27, 2-57, 2-173, 3-37	06969	2-137	09258	2-17, 2-19
01686	2-35	06972	2-27, 2-43, 2-45, 2-47	09291	2-163, 3-27
01691	3-37	06993	2-139	09570	2-109
01706	2-103	06995	2-139	09718	2-139
01987	2-153, 2-155	07274	3-67	09739	2-13
01999	3-31	07449	2-147	09740	2-27
02247	2-73, 2-129, 2-131, 2-133	07449	2-147	09770	2-164, 3-28
02506-6	3-74	07562	2-85, 2-87, 2-89, 2-93	09806	2-232
02713	2-181	07592	2-51, 2-53, 2-55	1007162	2-51, 2-53
02850	3-17	07787	2-163, 3-28	1007343	3-51
02931	2-171	07788	2-15	1008094	2-51, 2-53, 2-55, 3-67
02938	3-79	07789	2-71	1008510	3-51
03026	2-85, 2-87, 2-89, 2-91, 2-93, 2-95	07790	2-19, 2-117, 2-119, 2-129, 2-131, 2-133, 2-147, 2-159, 2-164, 3-27	1008512	3-51
03192	2-48, 2-101	07791	2-27, 2-43, 2-45, 2-47, 2-53, 2-55, 2-91, 2-95, 2-117, 2-119, 2-135, 2-167, 3-23	1008513	2-53, 3-51, 3-67
03193	2-31, 2-168, 3-24	07792	2-9, 2-11, 2-163, 2-168, 2-171, 3-23, 3-28, 3-51, 3-67	1008519	3-51, 3-67
03922	2-179	07793	2-137, 2-171	1008538	2-55, 3-51, 3-67
04375	3-51, 3-55, 3-67, 3-69	07805	2-147	1008988	2-109
04414	2-13, 2-41, 2-43, 2-45, 2-47	07819	3-51	1011011	2-219
04483	4-48	07934	2-149	1011015	2-220
04706	2-183	08085	2-147, 2-161	1011017	2-220
04761	2-163, 3-27	08166	2-101, 2-103	1011216	2-101, 2-103
04843	2-31, 3-71	08179	2-167	1011259	2-101
05611	2-181	08180	2-141	1011655	2-135
05880	2-97, 2-99	08346	2-147	1011702	2-93, 2-95
05881	2-97, 2-99	08708	2-9, 2-11, 2-17, 2-19, 2-31, 2-35, 2-89, 2-93, 2-127, 2-133, 2-135, 2-167, 2-179, 3-23	1011780	2-89, 2-91, 2-93, 2-95
06121	2-7	08709	2-27, 2-91, 2-95, 2-117, 2-119, 2-129, 2-131, 2-133, 2-163, 2-168, 2-171, 2-173, 2-179, 3-24, 3-28, 3-33, 3-51, 3-55, 3-69	1011788	2-137
06146	2-159	08711	2-43, 2-45, 2-47, 2-48	1011795	2-137
06474A	2-161	08712	2-147	1011895	2-109, 2-111
06524	2-17	08713	2-27	1011899	2-89, 2-91, 2-93, 2-95
06535	2-163, 3-28	09010	2-168, 3-23	1011941	2-109
06537	2-163, 3-51			1011942	2-109
06548	2-167, 3-23			1011943	2-109
06598	2-175			1011944	2-101
06927	3-17			1011959	2-101
06932	3-79			1012012	2-101
06941	2-127			1012018	2-109
06942	2-71, 2-117, 2-119			1012033	2-229
06943	2-19, 2-131, 2-133, 2-147, 2-159, 2-167, 2-179			1012110	2-109
06944	2-9, 2-11, 2-89, 2-93, 2-127, 2-164, 3-28			1012185	2-185
06946	2-9, 2-11, 2-135			1012248	2-109
06948	2-65			1012250	2-109
				1012469	2-109
				1012634	3-83
				1012656	2-175
				1012657	2-175
				1012670	2-185
				1012677	2-109
				1012719	2-45

# CROSS REFERENCE

Part Number	Page Number	Part Number	Page Number	Part Number	Page Number
1012720	2-45	1028924	2-111	1046152	2-186
1012737	2-125	1029293	2-111	1046173	2-186, 3-35
1012754	2-91, 2-95	1029295	2-111	1046389	2-19
1012785	2-137	1029334	2-48	1049209	2-159, 4-77
1012990	2-101	1029375	2-47	1049210	2-181, 3-27, 4-75
1012999	2-101	1029502	2-111	1049211	2-167, 3-23, 4-78
1013030	2-109	1029649	2-55	1050295	3-37
1013031	2-101, 2-103	1029737	2-127	1050584	3-55
1013086	2-109	1029996	2-103	1050610	3-55
1013113	2-101	1030122	2-103	1050780	4-75, 4-77
1013116	2-101	1030134	2-103	1050809	4-75, 4-77, 4-78
1013117	2-101	1030189	2-127	1050811	4-75
1013344	2-91, 2-95	1030272	2-48	1050812	4-75, 4-77
1013350	2-63	1030485	2-111	1050861	4-77, 4-78
1013366	2-91, 2-95	1030501	2-103	1050862	4-77
1013509	2-111	1030502	2-103	1050863	4-77
1013588	2-101	1030533	2-103	1050864	4-77
1014411	2-45, 2-47	1030582	3-55	1050865	4-77
1014456	2-15	1030627	3-55, 3-69	1050866	4-77
1014491	2-161	1030635	2-55	1050867	4-77
1014595	2-109	1030654	3-55, 3-69	1050868	4-77
1015036	2-175	1030657	3-55	1050869	4-77
1016556	3-63	1030708	3-55, 3-69	1050870	4-77, 4-78
1016560	3-63	1030762	3-55, 3-69	1050871	4-77
1016561	3-63	1031961	2-47	1050872	4-78
1017080	2-73	1032032	2-95	1050873	4-78
1017085	3-51	1032075	2-7	1051078	4-78
1017102	3-51	1032083	2-103	1051079	4-78
1017218	2-147	1032142	2-103	1051167	5-13, 6-13
1017239	2-73	1032214	2-231	1051172	5-13, 6-13
1017270	4-67, 4-69	1032382	2-57	1051173	5-13, 6-13
1017272	2-73	1032804	2-65	1051174	5-13, 6-13
1017292	3-51	1032805	2-81	1051175	5-13, 6-13
1017476	2-73	1032812	2-111	1051245	3-55
1017477	2-73	1032904	3-55, 3-69	1051599	2-133
1017500	2-73	1033344	2-133	1052093	3-84
1017515	3-51	1033497	2-133	1053518	2-23
1017598	2-73	1033746	2-111	1055106	2-39
1017662	2-73	1033897	2-111	10552	4-67, 4-69, 4-71, 4-73
1017898	2-163, 3-27	1033899	2-111	1055893	2-133
1018573	2-45, 2-48	1034105	2-47	1056213	2-133
1019188	2-129, 2-131	1034676	2-111	1057708	2-4
1019513	2-53, 3-51, 3-67	1037311	2-81	1057711	2-4
1019939	2-111	1037312	2-81	1060286	2-103
1020982	2-147	1037313	2-81	1060653	2-65, 2-81
1021797	3-49	1038293	2-103	10632-12	3-11, 3-13
1021799	3-49	1040835	2-59	10632-20	3-3, 3-5, 3-7, 3-9
1021937	3-39	1041034	2-167, 3-23	10632-4	2-37, 3-3, 3-7, 3-11, 3-13, 3-15, 3-79
1021951	3-39	1041090	2-29	10632-5	2-185, 3-17, 3-33
1021966	3-39	1041151	2-82	10632-8	3-17
1021968	3-39	1041152	2-82	10632-9	3-11, 3-13
1021969	3-39	1041739AM	2-129, 2-131, 2-133	1064050	3-3, 3-5, 3-7, 3-9
1023853	2-131, 2-133	1042110	2-25	10664	2-4, 2-21
1026719	2-25, 4-49	1042969	2-5	10723	5-3
1028300	2-7	1043095	2-71	10724	5-3, 6-3
1028492	2-139	1043352	3-43, 3-49, 3-59, 3-63	10819	2-171
1028558	2-103	1044235	2-39	10830	2-65, 2-81
1028559	2-103	1045764	2-129, 2-131, 2-133	10831	2-45, 2-47
1028835	2-103	1045858	2-186, 3-35		
1028836	2-103				

# CROSS REFERENCE

Part Number	Page Number	Part Number	Page Number	Part Number	Page Number
10911	2-159	17414	2-39, 2-69, 2-71, 2-115, 2-117, 2-119	21250	3-27
10959	2-23, 2-25	17521	2-71	21251	3-27
11329	2-173	17808	2-141	21252	3-27
11399	2-57, 2-61, 2-73, 3-49, 3-63	17809	2-141	21282	2-9, 2-11
11442-1	2-115, 2-117, 2-119	17980	2-159, 2-161, 3-27	21294	2-39
11442-23	2-113, 2-115, 2-119	19035	3-71	21301	3-79
11531	2-121, 2-123, 2-125, 2-127, 3-17	19065	3-15	21303	2-35
11676	3-71	19066	2-27, 2-31, 2-57, 2-91, 2-95, 2-117, 2-119, 2-131, 2-133, 2-159, 2-167, 3-23	21307	4-51
11716	2-177	19117	2-181, 4-38	21308	4-51
11747	2-31, 3-79	19311	2-43, 2-45, 2-47	21309	4-51
11984	2-59	19312	2-65, 2-81, 2-101, 2-103	21310	4-51
12269	2-173	19313	2-21, 2-129, 2-131, 2-133, 2-181	21311	4-53
12271	2-15	19315	2-43, 2-45, 2-47, 2-65, 2-81	21312	4-53
12273	2-57, 2-147	19317	2-65, 2-73, 2-81	21313	4-53
12274	2-31, 2-171	19459	2-157	21643	2-15
12316	2-115	19544	2-149	21671	3-76
12459	2-163, 3-27, 3-47, 3-49, 3-61, 3-63	19747	2-57	21672	2-143
12549	3-37	19760	2-117	21722	2-29
130041	2-73	19774	2-39	21728	4-63, 4-65
13048	2-59	20177	2-53, 2-55, 2-117, 2-119, 3-51, 3-55, 3-69	21729	2-153, 2-155
13124	2-89	20192	2-163, 3-27	21731	2-105, 2-107, 2-109
13248	2-181	21041	3-71	21732	2-105, 2-107, 2-109
13902	4-43, 4-47	21047	3-71	21740	2-139
13904	4-45, 4-47	21054	3-71	21791	3-84
13907	4-3, 4-7, 4-13, 4-17	21104	3-71	21792	5-15, 6-15
13959	3-17	21109	2-167	21793	5-15, 6-15
14242	2-141	21117	2-153, 2-155	21794	5-15, 6-15
14296	2-41	21119	2-153, 2-155	21917	4-42, 4-43, 4-47
14595-1	2-147	21131	2-15	222460	2-167
14605	2-147	21136	2-97, 2-99	22290	2-183
150516	2-73	21138	2-97, 2-99, 2-101	22308-3	2-113, 2-115, 2-117
15331	2-177	21150	4-53	22324	2-115
15522	2-173	21168	2-7, 2-9, 2-11	22626	2-139, 4-33
15543	2-89, 2-93	21194	7-5	22629	4-33, 4-35
15555-1	2-107	21195	2-53, 2-55, 2-183	22630	4-33, 4-35
15555-2	4-71, 4-73	21197	2-43, 2-45, 2-47, 2-53, 2-55	22636	4-33, 4-35
15724	2-69	21198	2-43, 2-45, 2-47, 2-147, 3-55	22645	4-33, 4-35
16387	2-61, 2-63	21215	2-163	22646	4-33, 4-35
16431	2-153, 2-155	21221	2-31	22654	4-29
16455	2-161	21223	3-65	23146	3-71
16456	2-25	21224	2-163	23156	2-69, 2-71, 2-115, 2-117, 2-119
16472	3-27	21225	2-173	23498	2-179
16694	4-37	21230	2-15	23574	2-173
16695	4-27, 4-29, 4-36, 4-37	21231	2-167, 3-23	23935	3-79
16735	2-31, 2-53, 2-101, 2-145	21237	3-51, 3-55, 3-67, 3-69	23936	2-167, 3-23
16738	2-59	21238	2-163	23946	2-13
16930	2-179, 3-49, 3-63	21241	2-179	23950	2-17
16931	2-19, 2-31, 2-101, 2-103, 2-111, 2-117, 2-119, 2-129, 2-131, 2-133, 2-135, 2-137, 2-167, 2-179, 3-23, 3-33, 3-51, 3-52, 3-67	21246	2-13, 3-35	24012	2-101, 2-103
				24047	2-113, 2-115, 2-117, 2-119
				24199	2-13
				24450	3-43, 3-49, 3-59, 3-63
				24576-1	3-15, 3-17
				24576	3-15
				24899	2-171
				24924	2-59
				24928-1	2-113, 2-115, 2-117, 2-119



## CROSS REFERENCE

Part Number	Page Number	Part Number	Page Number	Part Number	Page Number
25014	2-99, 2-101, 2-103	32483	2-9, 2-11, 2-43,	33817	2-157
25046	2-57, 2-147		2-45, 2-47, 2-71,	33924	2-167, 3-23
25047	2-65, 2-81		2-111, 2-127, 2-171,	33951	2-59, 2-67
25312	3-75		2-179	34072	2-69
25610	2-105, 2-107, 2-109	32485	2-51, 2-53, 2-55,	34159	4-5, 4-9, 4-15, 4-19
26395-2	3-71		2-147, 2-164, 3-28,	34176	4-29, 4-36
26496	2-113, 2-115, 2-117,		3-52, 3-55, 3-69	34178	4-31, 4-33, 4-35
	2-119	32486	2-137, 2-139, 2-163,	34179	4-31, 4-33
26565	3-71		2-171, 3-27	34180	4-31
27048	2-71, 2-109, 2-113,	32490	2-19, 2-65, 2-81,	34181	4-31, 4-33, 4-35
	2-115, 2-117, 2-119		2-89, 2-93, 2-111,	34182	4-31
27763	4-27, 4-36		2-129, 2-133, 2-147,	34183	4-31, 4-33, 4-35
27767	2-71		3-47, 3-49, 3-61,	34184	4-31, 4-33, 4-35
27980	2-65, 2-81		3-63	34185	4-31, 4-33
27990	2-129, 2-131, 2-133,	32491	2-19, 2-31, 2-51,	34195	2-164, 3-28
	3-67		2-91, 2-95, 2-101,	34306	2-4, 2-157
27991	2-51, 2-53, 2-55,		2-103, 2-111, 2-117,	34323	2-9, 2-11, 2-19
	3-51		2-119, 2-123, 2-125,	34330	2-171
27992	3-55, 3-69		2-129, 2-131, 2-133,	34355	2-153, 2-155
29233	3-5, 3-9		2-135, 2-145, 2-168,	34359	2-139, 2-175
29570	2-73		2-179, 3-23, 3-51,	34360	2-153, 2-155
30013	3-33		3-52, 3-55, 3-67,	34379	2-153, 2-155
30251	2-171		3-69	34390	2-157
30252	2-171	32492	2-9, 2-11, 2-23,	34392	2-29
30253	2-171		2-25, 2-35, 2-43,	34738	3-79
30255	2-171		2-45, 2-47, 2-51,	34821	2-137
30268	3-43, 3-49, 3-59,		2-101, 2-103, 2-129,	34848	3-17
	3-63		2-131, 2-133, 2-137,	34864	2-37, 3-79
30389	2-59, 2-69, 2-71		2-164, 2-167, 2-179,	34877	3-51, 3-67
30407	2-117, 2-119		3-23, 3-28, 3-49,	35323	2-5
30533	3-77		3-51, 3-55, 3-63,	35324	2-5
31038	2-39		3-67	35325	2-5
311336	2-13, 4-53	32493	2-17, 2-19, 2-43,	35326	2-5
311828	2-73		2-45, 2-47	35327	2-5
31354	4-27, 4-29, 4-36	32495	3-69	35336	2-5
31373	4-27, 4-29	32496	2-163, 3-28	35688	2-29
31375	4-36	32598	2-141	35707	2-117, 2-119
31379	4-27	32668	3-33	35756	2-51, 2-53, 2-55,
31380	4-37	32715	2-167, 3-23, 3-51,		3-51, 3-55, 3-69
31385	4-37		3-55	35980	2-41
31507	3-43, 3-49, 3-59,	32720	2-173	36014	5-23, 6-23
	3-63	32895	2-171	36048	5-15, 6-15
31525	3-51, 3-55, 3-65,	32899	2-147	36050	2-4, 2-59, 2-105
	3-67, 3-69	32960	3-33	361160	2-7
31526	2-39	32978	2-109, 2-111, 3-51,	36158	3-71
31563	2-153, 2-155		3-55, 3-67, 3-69	36164	5-21, 6-21
31599	2-129, 2-131, 2-133	32980	2-55, 2-109, 2-111	36165	2-39, 2-61, 2-73
31603	2-155	32981	2-57, 2-111	36192	2-21
31605	2-159	32982	2-71, 2-101, 2-103	36268	5-3, 5-6, 6-3, 6-6
31613	2-4, 2-157	32984	2-21, 2-129, 2-131,	36328	2-163, 2-171, 3-27
31775	2-145		2-181	36556	2-161
31922	3-17	32985	2-139, 2-163, 3-27	36758	2-7, 2-163, 3-27
31954	3-11, 3-13	32987	2-139	369701	2-139
31999	2-35	330160	3-84	369704	2-15
32006	2-35	330162	3-84	36971	2-147
32009	2-35	330163	3-84	369786	3-37
32408	2-173	33342	3-24	370011	2-5
32425	2-43, 2-45, 2-47	33404	2-175	370102	5-17, 6-17
		33799	2-153, 2-155	370103	5-17
		33806	2-13, 3-19	370829	5-9, 6-9

# CROSS REFERENCE

Part Number	Page Number	Part Number	Page Number	Part Number	Page Number
370847	6-3	371669	4-67, 4-69	372492	2-63, 2-77
370848	6-3	371713	4-67, 4-69	372493	2-63, 2-77
370850	6-3	371714	4-67, 4-69, 4-71, 4-73	372495	2-77
370851	6-5			372496	2-77
370852	6-11	371715	4-67, 4-69, 4-71, 4-73	372497	2-77
370853	6-11			372498	2-77
370854	6-11	371716	4-71, 4-73	372500	2-77
370855	6-13	371718	4-67, 4-69, 4-71, 4-73	372501	2-77
370873	6-3			372503	2-77
370875	6-24	371749	2-73	372504	2-77
370876	5-21, 6-21	371750	2-73	372505	2-77
370888	6-22	371754	2-73	372506	2-77
370889	6-22	371755	2-73	372507	2-77
370890	6-22	371757	2-73	372508	2-77
370891	6-22	371759	2-73	372510	2-77
370892	6-22	371761	2-43, 2-45, 2-47	372511	2-77
37127	5-11	371762	2-43	372512	2-77
371500	2-57	371763	2-61	372514	2-77
371502	2-57	371764	2-73	372515	2-77
371503	2-57	371765	2-61	372516	2-77
371504	2-57	371766	2-61, 2-73	372517	2-77
371505	2-57	371767	2-61, 2-73	372518	2-77
371507	2-43	371768	2-73	372523	2-77
371508	2-43, 2-45, 2-47	371770	2-51	372526	2-77
371509	2-43, 2-45, 2-47, 2-51, 2-65, 2-81, 3-51, 3-67	371865	2-55	372527	2-77
		371875	2-65, 2-81	372528	2-77, 2-81
371512	2-43, 2-45, 2-47	371877	2-65, 2-81	372529	2-81
371516	2-43, 2-45, 2-47	371891	7-3	372531	2-77
371517	2-43	371894	2-73, 4-67	372539	2-82
371518	2-43, 2-45, 2-47	371895	2-73, 4-69	372545	2-63, 2-65, 2-77, 2-81
371519	2-43, 2-45, 2-47	371896	2-61, 4-71		
371520	2-43, 2-45, 2-47	371897	2-61, 4-73	372569	2-77
371526	2-51, 2-53, 2-55, 3-55, 3-67, 3-69	371899	4-71, 4-73	372577	2-77
		371901	4-71	372579	2-81
371527	2-51, 2-53, 2-55	371902	4-71, 4-73	372608	2-77
371528	2-51	371908	4-71, 4-73	372610	2-77
371529	2-51	371921	2-216	372611	2-77
371532	2-61	372235	2-219, 2-221	372612	2-77
371538	2-61	372236	2-219, 2-221	372615	2-77
371553	2-65, 2-81	372237	2-219, 2-221	372651	2-4, 2-91, 2-95
37157	5-5, 5-11	372251	7-7	372652	2-4, 2-91
371572	2-43	372440	2-109, 2-111	372859	2-77
371573	2-99, 2-101	372445	2-45, 2-47	372860	2-63
371646	2-61, 2-74	372456	2-45, 2-47	372891	2-63, 2-77
371647	2-61, 2-74	372457	2-45	372899	2-77
371649	4-71, 4-73	372458	2-45, 2-47	372937	2-73
371651	4-67, 4-69, 4-71, 4-73	372464	7-7	372950	4-63, 4-65
		372466	2-63, 2-65, 2-81	372951	4-63, 4-65
371653	4-67, 4-69, 4-71, 4-73	372470	2-65, 2-77, 2-81	373201	4-25
		372472	2-63, 2-65, 2-77, 2-81	373207	4-25
371654	4-67, 4-69, 4-71, 4-73			373211	4-25
		372473	2-45, 2-47	373218	4-7, 4-17
371658	2-61, 2-74	372474	2-45, 2-48	373226	4-35
371660	4-67, 4-69, 4-71, 4-73	372479	2-45, 2-47	373232	4-25
		372483	2-63, 2-77	373235	4-25
371661	2-107	372484	2-77	373236	4-35
371662	2-107	372488	2-63	373242	4-25
371665	4-67, 4-69	372489	2-63, 2-77	373243	4-25
371666	4-67, 4-69	372490	2-63, 2-77	373254	2-149, 4-25
		372491	2-101	373255	4-25

# CROSS REFERENCE

Part Number	Page Number	Part Number	Page Number	Part Number	Page Number
373256	4-25	374757	4-53	380568	2-147
373258	4-25	374758	4-51	380576	3-41, 3-47
373259	4-25	374759	4-51	380577	4-51, 4-56
373276	4-25	374760	3-35	380578	4-59
373284	4-25	374761	3-35	380579	4-59
373291	4-35	374762	3-35	380591	2-85, 2-87, 2-89, 2-91, 2-93, 2-95
373369	4-13, 4-17, 4-21	374765	4-51, 4-53	380592	2-85
373371	4-21	374769	4-51, 4-53	380598	2-41
373372	4-21	375193	2-41	380602	3-35
373373	4-21	375400	2-163	380612	3-57, 3-61
373374	4-9, 4-19	375401	2-163, 3-27	380613	3-41, 3-47, 4-59
373375	4-9, 4-19	375402	2-163	380614	3-57, 3-61, 4-61
373404	2-149	375403	3-27	380615	3-41, 3-47, 3-57, 3-61
373405	3-82	375404	2-163, 3-27	380616	4-59, 4-61
373406	4-9, 4-19	375415	2-167, 3-23	380617	3-41, 3-47, 3-57, 3-61
373407	4-7, 4-17	375416	2-167, 3-23	380618	3-43, 3-59
373408	4-7, 4-17	375417	3-27	380619	3-41, 3-47, 3-57, 3-61
373409	4-7, 4-17	375511	2-129, 2-131, 2-133	380620	3-43, 3-49, 3-59
373410	4-7, 4-17	375512	3-43, 3-49, 3-59, 3-63	380621	3-43, 3-49, 3-59
373412	4-9, 4-19	375513	2-15	380624	3-41, 3-47
373413	4-9, 4-19	375526	2-145	380625	3-41, 3-47, 4-57
373414	4-7, 4-17	375536	2-15	380626	4-57
373415	4-7, 4-17	375537	2-15	380627	4-57
373457	4-25	37555	4-27, 4-29, 4-37	380628	4-57
373458	4-25	375563	2-161, 4-45	380630	3-41, 3-47
373464	2-139, 4-35	375564	2-31	380634	3-35
373541	4-35	375565	2-31	380635	3-35
373542	4-35	375566	2-31	380640	3-15
373543	4-35	375567	2-143	380643	3-11
373544	4-35	375575	2-139	380644	3-13
373545	4-35	375576	2-139	380649	4-59, 4-61
373546	4-35	375586	2-129, 2-131	380650	4-59, 4-61
373547	4-35	375635	2-173	380651	4-59
373548	4-35	375638	2-173	380652	4-59
373549	4-35	375639	2-173	380659	4-59, 4-61
373584	4-77	375666	2-167	380660	4-61
373585	4-77	375693	2-17	380661	3-41, 3-47, 3-57, 3-61
374012	3-71	375695	2-17	380662	3-41, 3-47, 3-57, 3-61
374127	2-59, 2-67	375696	2-13	380663	3-41, 3-47, 3-57, 3-61
374129	3-43, 3-49, 3-59, 3-63	375698	2-13	380665	3-41, 3-47
374133	3-81	375718	2-59, 2-67	380666	4-57
374134	3-41, 3-47, 3-81	375719	2-173, 4-29	380667	4-57
374135	3-41, 3-47, 3-81	375721	2-179	380668	4-57
374154	2-71	375726	3-43, 3-59	380669	4-57
374158	2-113, 2-117, 2-119	375728	3-43, 3-49, 3-59, 3-63	380670	4-57
374210	3-41, 3-47, 3-57, 3-61	375729	3-45	380671	4-57
374230	2-129, 2-131, 2-133, 2-145	375751	3-43	380672	4-57
374274	6-24	375762	2-139	380673	3-41, 3-47
374294	4-51, 4-53	37723	4-31, 4-33, 4-35	380675	2-153, 2-155
374357	4-51	37766	4-31, 4-33	380676	3-45
37460	4-3, 4-7, 4-13, 4-17	37943	4-31, 4-33, 4-35	380680	2-13
374615	2-69	380514	2-147	380681	2-23
37462	4-3, 4-7, 4-13, 4-17	380532	2-15	380683	2-147
374625	2-59, 2-67	380533	2-15		
374648	2-69	380544	3-52, 3-55		
374649	2-69	380563	3-45		
374750	4-51, 4-53	380566	2-147		
		380567	2-147		

# CROSS REFERENCE

Part Number	Page Number	Part Number	Page Number	Part Number	Page Number
380684	3-41, 3-47	385007	2-65, 2-81	393200	2-107
380685	3-43	385008	2-65, 2-81	393201	3-51, 3-55
380686	3-43	385009	2-111	393205	2-87
380689	3-41, 3-47, 3-57, 3-61	385010	2-221	393207	2-87
380690	3-41, 3-47, 3-57, 3-61	385011	2-82	393208	2-87, 2-89, 2-91
380691	3-11, 3-13, 3-15	385012	2-81	393216	2-123
380692	2-13, 4-51	385013	2-82	393219	3-51
380694	4-51	385014	2-81	393223	3-84
380695	4-51	385015	2-81	393227	2-53, 2-55
380697	3-45	385016	2-81	393229	2-123, 2-125
380702	3-65	385017	2-81	393241	3-67
380708	4-51	385018	2-221	393244	3-51, 3-67
380709	2-4	385019	2-47	393252	2-99
380710	2-4	385412	2-41	393253	2-99
380712	3-17	385414	2-59	393255	3-49, 3-63
380717	2-145	385415	2-59	393373	2-91, 2-93, 2-95
380728	2-13	385417	2-39	39346	2-9, 2-11
380732	4-51	385426	2-41	39349	2-27
380736	2-157	385433	2-41	39350	2-139
380748	2-127	385439	3-84	393662	7-7
380754	2-129	386063	2-115	393663	7-7
380760	2-15	388407	4-59, 4-61	393770	3-15, 3-33
380761	2-15	391890	4-71	393806	7-7
380762	2-15	391891	4-67	393807	7-7
380763	2-15	39210	2-25, 2-29, 2-157, 2-159	393808	7-7
380764	2-15	392258	2-73	393809	7-7
381391	2-131, 2-133	392561	2-43	393810	7-7
381962	2-31	392563	2-43	393811	7-7
382422	2-13	392564	2-216	393812	7-7
382507	2-129	392570	2-61, 2-73	393813	7-7
382516	2-185	392590	2-123, 2-125, 2-127	393814	7-7
382726	2-31	392591	2-123, 2-125	393815	7-7
382978	3-15	392593	2-107	393816	7-7
382979	3-33	392594	2-107	393817	7-12
383014	2-71	392597	2-107	393818	7-12
383165	2-185	392598	2-109	393819	7-12
383170	2-71	392611	2-51, 2-53, 2-55	393820	7-12
383185	3-35	392613	3-51	393821	7-12
384156	4-55	392619	2-43	393822	7-12
384971	2-81	392622	2-43, 2-45	393823	7-12
384973	2-81	392629	2-107, 2-109, 2-111	393824	7-3, 7-9, 7-11, 7-12
384974	2-63, 2-65, 2-77, 2-81	392642	2-43, 2-45	393825	7-12
384975	2-81	392647	2-125, 2-127	393826	7-11, 7-12
384977	2-81	392649	2-107	393827	7-12
384978	2-81	39277	2-129, 2-131, 2-133, 2-135, 3-51, 3-67	393828	7-12
384979	2-81	39279	2-145, 2-173	393829	7-12
384985	2-65, 2-81	39283	2-9, 2-11, 2-164, 2-168, 2-171, 3-23,	393830	7-12
384986	2-81		3-28, 3-52, 3-55	393831	7-12
384996	2-81	39284	2-35, 2-48, 2-103, 2-163, 2-168, 3-23,	393832	7-7
384998	2-221		3-28	393833	7-7
384999	2-221			393834	7-11
385000	2-65, 2-81	39285	2-147	393835	7-11
385001	2-65, 2-81	39305	2-139	393836	7-11
385002	2-65, 2-81	39311	2-19, 2-163, 3-24, 3-28, 3-51, 3-67	393837	7-11
385003	2-65, 2-81			393838	7-11
385004	2-65, 2-81	39312	2-163, 3-28	393839	7-11
385006	2-65, 2-81	39313	2-17, 2-19, 2-27	393840	7-11
				393841	7-11
				393842	7-11
				393843	7-11

# CROSS REFERENCE

Part Number	Page Number	Part Number	Page Number	Part Number	Page Number
393844	7-11	393907	2-61, 2-63, 2-73, 2-77	393963	7-3
393845	7-11			393964	7-3
393846	7-11	393908	2-61, 2-63, 2-73, 2-78	393965	7-5
393848	7-9			393966	7-5
393849	7-9	393909	2-61, 2-63, 2-73, 2-78	393967	7-5
393850	7-9			393972	2-73
393851	7-9	393910	2-61, 2-63, 2-73, 2-78	393973	2-43
393852	7-9			393975	2-43
393853	7-9	393911	2-61, 2-63, 2-73, 2-78	393982	2-4, 2-57
393854	7-9			393984	2-43, 2-63, 2-65, 2-77, 2-81
393855	7-9	393912	2-61, 2-63, 2-73, 2-78	393994	2-43, 2-45, 2-47, 2-51
393856	7-9				
393857	7-9	393913	2-61, 2-63, 2-73, 2-78	393998	2-51, 2-53, 2-55
393858	7-9			394916	2-219, 2-221
393859	7-9	393914	2-61, 2-63, 2-73, 2-78	39527	4-36
393860	7-9			39534	2-181
393861	7-9	393915	2-61, 2-63, 2-73, 2-78	39670	3-51, 3-55
393862	7-9			39703-2	2-4, 5-3, 6-3
393863	7-9	393916	2-61, 2-63, 2-73, 2-78	398315	2-211
393864	7-11			39923	2-37, 3-79
393865	7-9	393917	7-3	40380	4-31
393866	7-11	393918	7-3	40514	2-157
393867	7-9	393919	7-5	40573	3-43, 3-49, 3-59, 3-63
393868	7-9	393921	7-5		
393869	7-9	393922	7-5	40585	2-105, 2-107
393870	7-9	393923	7-5	40607	2-37, 2-69, 3-79
393871	7-9	393924	7-5	40678	2-37, 3-79
393872	7-7	393925	7-5	40716	2-13
393873	7-11	393926	7-5	40870-8	2-179
393874	7-11	393927	7-5	41016	2-107, 3-43, 3-49, 3-59, 3-63
393875	7-11	393928	7-5		
393876	7-11	393929	7-5	41073	2-139
393877	7-11	393930	7-5	41130	2-179
393878	7-11	393931	7-5	41131	2-167, 2-177
393879	7-11	393932	7-5	41139	3-17
393880	7-11	393933	7-3	41140	3-17
393881	7-11	393934	2-4, 7-3	41141	3-33
393882	7-7	393935	7-3	41142	2-53, 2-55
393883	7-7	393936	7-3	41169	2-147
393884	7-7	393937	7-3	41178	2-9, 2-11, 2-13, 2-85, 2-87, 2-89, 2-93, 3-35
393886	7-7	393938	7-3		
393887	7-7	39394	2-5	41185	2-9, 2-11, 2-19, 2-163, 2-173, 3-27
393888	7-7	393940	7-5		
393889	7-7	393941	7-5	41186	2-31, 2-53, 2-55, 2-129, 2-131, 2-133, 2-135, 2-137, 3-23, 3-51, 3-55, 3-67, 3-69
393890	7-7	393942	7-5		
393895	7-3	393943	7-5	41295	2-127
393896	7-3	393946	7-5	41342	2-163, 2-167, 3-28
393897	7-3	393947	7-5	41346	2-171
393898	2-61, 2-63, 2-73, 2-77, 7-3, 7-5	393947	7-5	41360	2-173
		393951	7-3	41362	2-173
393899	7-3	393952	7-3	41430	2-31, 2-48, 2-129, 2-131, 2-133, 2-147, 2-164, 2-168, 2-179, 3-23, 3-28, 3-52, 3-55
393900	7-3	393953	7-3		
393901	7-3	393954	7-3		
393902	7-3	393955	7-3		
393903	7-3	393956	7-3		
393904	7-3	393957	7-3		
393905	2-61, 2-63, 2-73, 2-77	393958	7-3		
		393959	7-3		
393906	2-61, 2-63, 2-73, 2-77	393960	7-3		
		393961	7-3		
		393962	7-3		

# CROSS REFERENCE

Part Number	Page Number	Part Number	Page Number	Part Number	Page Number
41434	3-37	47512	2-25, 2-129, 2-131,	51693	2-177
41619	2-15		2-133	51787	2-21, 2-31
41722	2-147	47522	2-139	51813	2-167, 3-23
42011	2-51, 2-53, 2-55,	47585	2-183	51839	2-69, 2-71, 2-87
	3-79	47637	3-27	52402	2-129, 2-131, 2-133,
42124	3-71	47638	2-25, 2-161		2-161
42207	2-163	47720	2-113, 2-115, 2-117,	52911	2-149
42215	2-157, 2-161, 3-23		2-119	53029	2-67, 2-107
42226	2-181	47753	3-27	53268	2-69
42260	2-21, 2-157	47958	2-15	53395-2	2-115
42368	2-109, 2-111	48006	2-21	53400-1	2-113, 2-115, 2-117,
43242	3-43, 3-49, 3-59,	48014	2-85, 2-87, 2-89,		2-119
	3-63		2-93	53400-4	2-113, 2-115, 2-117,
43363	2-7	48056	2-129, 2-131, 2-133		2-119
43454	2-15, 2-37, 3-79	48069	2-35	53461-2	2-15, 2-17, 2-19
43500	2-4, 2-7	48267	2-105, 2-107, 2-109	53468	2-123, 2-125, 2-127
43555	2-35, 2-85, 2-87,	48282	2-115	53601	2-139, 4-48
	2-89, 2-91, 2-93,	48998	2-173	54009	3-71
	2-95	49032	3-37	54012	3-71
43558A	3-43, 3-49, 3-59,	49263	2-7, 2-183	54096	2-175
	3-63	49266	2-37, 3-3, 3-5, 3-7,	54140	2-109
43611	2-117, 2-119		3-9, 3-11, 3-13,	54222	2-147
43844	2-59, 2-67, 2-107,		3-15, 3-17, 3-41,	54274	2-181
	2-109, 2-111, 2-127		3-47, 3-79, 3-81	54275A	2-181
43952	3-37	49282	2-13	54333	5-3, 6-3
43955	2-9, 2-11	49766	3-79	54396	2-43, 2-45, 2-47,
44078	2-183	49933	2-161		2-123, 2-125
44681-1	3-7, 3-9, 3-13	49934	2-57	54527	2-85, 2-87, 2-89,
44681-2	3-7, 3-9, 3-13	50335	2-43, 2-45, 2-47,		2-93
44681	3-7, 3-9, 3-13		2-109, 2-111, 2-115	54528	2-85, 2-87, 2-89,
44777	2-13	50902	2-43, 2-45, 2-47,		2-93
44851	2-17, 2-19, 3-35		2-53, 2-55, 2-117,	54615	2-13
44868	2-159, 3-27		2-119, 2-129, 2-131,	54833	2-139
44869	2-159, 2-161, 2-171,		2-133, 2-171, 2-181,	54862	2-181
	2-181		3-51, 3-55, 3-67,	54878	2-171
44906	2-129		3-69	54911-32	2-121, 2-123, 2-125,
44961	3-79	50960	2-129, 2-131, 2-133		2-127, 5-3, 6-3
45142	3-43, 3-49, 3-59,	51021N	2-5	55248	3-3, 3-5, 3-7, 3-9,
	3-63	51109	2-145		3-11, 3-13, 3-15,
45177	2-85, 2-87, 2-89,	51176	2-13		3-41, 3-47, 3-81
	2-93	51193	2-141	55347	2-43
45272	3-3, 3-5, 3-7, 3-9	51305	2-73, 2-127, 2-129,	55586	2-157, 2-159, 2-171
45482	2-159, 3-27		2-131, 2-133	55685	2-161
45622	4-31, 4-33, 4-35	51322	2-21, 2-129, 2-131,	55686	2-25
45623	4-31, 4-33, 4-35		2-133	55700	2-153, 2-155
45628	4-27, 4-29, 4-36,	51338	2-141	55756	2-15
	4-37	51340	2-139	55779	2-171
45779	3-3, 3-5, 3-7, 3-9,	51341	2-139	55845	2-15
	3-11, 3-13	51373	2-141	56185	2-183
45780	2-7	51448	2-171	56186	2-186, 3-3, 3-5, 3-7,
45786	2-143	51449	2-171		3-9, 3-11, 3-13,
46236	2-145, 3-79	51462	2-175		3-41, 3-47, 3-57,
46481	2-21, 2-149	51483	2-145		3-61, 3-79
46482	3-23	51531	3-71	56346	2-185
46611	2-69, 2-71	51534	2-175	56398	2-183
46800	2-129	51542	2-5	56690	2-109, 2-159, 2-167,
47167	2-61, 2-73	51545	2-145		2-183, 3-23, 3-27
47313A	2-59	51560-5	2-91, 2-95	56692	2-149, 2-173, 2-181
47504	2-161, 2-167	51562	2-145	56820	2-139, 2-167
47508	2-149, 2-163, 3-27	51564	2-171	56821	2-181

# CROSS REFERENCE

Part Number	Page Number	Part Number	Page Number	Part Number	Page Number
56976A	2-113, 2-115, 2-117, 2-119	59668	2-147	62595-3	2-13
56992	2-185, 3-57, 3-61	59672	2-147	62607	2-173
57048	2-41, 2-43, 2-45, 2-47	59767	2-232	62865	2-115, 2-119
57167	2-186, 4-61	59808	2-69	62954	2-4, 2-7
57173	2-153, 2-155	59866	2-25	62955	2-4, 2-7
57297	2-113, 2-115, 2-117, 2-119	59901	3-43, 3-49, 3-59, 3-63	62956	2-4, 2-7
57311	2-145	59921	3-79	62957	2-4, 2-7
57411	2-161	59954	3-79	62986	2-173
57568	2-155	59965	2-23, 3-15	630094	2-39
57751	2-186, 3-35	59970	2-185	63228	3-76
57772	2-167	59971	2-185	63233	2-35
57773	2-41, 2-43, 2-45, 2-47	59974	2-185	63234	2-35
57803	2-186, 3-35	59976	2-185	63263	2-41, 2-43, 2-45, 2-47
57804	2-219, 2-221	59977	2-185	63276	2-147
57807	2-167, 2-175, 2-185, 3-23	59978	2-185	63292	2-147
57809	3-79	59979	2-185	63294	2-13
57820	2-13, 2-17, 2-19	60293	2-135	63295	2-145
57934	2-59	60559	2-39	63297	2-35
57936	2-23, 2-25	60725	2-69, 2-71	63311	2-35
57941	2-7	60726	2-69, 2-71	63338	2-173
57944	2-153, 2-155	60751	3-17	63378	2-31
57963	2-153, 2-155, 3-31	60762	2-59	63407	3-82
57988	2-161	60806	5-5, 5-6, 6-5, 6-6	63416	2-129, 2-167, 3-23, 3-27
57993	2-159	60812	5-22	63426	2-139, 4-31
57994	2-157	60813	5-22, 6-22	63436	2-171
58114	2-179	60814	5-22, 6-22	63449	2-171
58228	2-129, 2-131, 2-133, 2-179	60817	5-6, 6-6	63450	2-171
58242	4-23	60833	5-5, 5-13, 5-19, 6-5, 6-13, 6-19	63471	2-139
58293	2-23	60834	6-5, 6-13	63491	2-139
58357	2-35	60836	5-21, 6-21	63496	2-139
58359	2-25	60846	2-4, 5-24, 6-24	63535	2-41
58366	2-15, 2-57	60933	2-4, 2-85, 2-87, 2-89, 2-93	63540	2-139
58489	2-9, 2-17, 2-19	60934	2-4, 2-85, 2-87, 2-89, 2-93	63541	2-171
58490	4-53	60938	5-9, 6-9	63542	2-129, 2-131, 2-133, 4-39
58518	3-3, 3-5, 3-11	61288	2-157	63543	2-139
58519	3-3, 3-5, 3-11	61363	2-39, 2-51, 2-53, 2-55	63544	2-7
58520	3-3, 3-5, 3-11	61365	3-17	63583	2-25
58524	2-31	61490	4-27, 4-36, 4-37	63584	2-25
58589	2-113, 2-115, 2-117, 2-119	61529	2-39	63647	2-27
58590	2-113, 2-115, 2-117, 2-119	61531	2-39	63663	2-7
58596	4-41	61869	3-43, 3-49, 3-59	63665	2-27
58844	2-11, 2-15	61870	3-43, 3-49, 3-59	63667	2-27
58858	2-149, 2-157	61882	4-3, 4-7, 4-13, 4-17	63668	2-27
58898	2-9, 2-11	61886	4-5, 4-9, 4-15, 4-19	63669	2-27
59015	2-105	61923	3-15	63671	2-33
59156	3-51	61931	2-39	63695	2-41, 2-43, 2-45, 2-47
59192	2-15, 2-17, 2-19	61969	2-175, 2-185	63751	2-13
59305	4-23	62172	2-161	63810	2-59, 2-63, 2-69, 2-71, 2-77, 2-81, 2-87, 3-43, 3-49, 3-59, 3-63
59375	2-39	62173	2-161	63818	2-129, 2-131, 2-133
59577	2-159	62234	2-127	63926	2-23
59633	2-35	62389	2-149	64038	5-17, 6-17
59661	2-21	62561	2-149, 4-23	64058	2-143
		62563	2-171, 4-36	64059	2-143
		62595-16	2-13		
		62595-2	2-13		

# CROSS REFERENCE

Part Number	Page Number	Part Number	Page Number	Part Number	Page Number
64141	2-185	65194	2-153, 2-155, 3-31	70431	2-163, 3-27
64156	2-25	65195	2-153, 2-155	70435	2-113, 2-115, 2-117, 2-119
64228	2-159	65196	2-153	70450	2-13
64233	2-175	65197	2-153, 2-155	70453	2-4, 2-9, 2-11
64278	2-15	65198	2-153, 2-155	70454	3-19
64279	2-15	65199	2-153, 2-155	70470	2-27
64299	2-179	65201	2-153, 2-155	70471	2-5
64312	2-15	65202	2-153	70477	2-105, 2-107, 2-109, 2-111
64350	2-173	65204	2-153, 2-155	70478	2-13
64392	2-35	65205	2-153, 2-155	70506	2-145
64394	2-35	65206	2-153, 2-155	70517	2-7
64410	2-35	65207	2-153, 2-155	70521	2-163
64419	2-21	65212	2-153, 2-155	70524	2-163, 3-27
64434	2-161	65213	2-153, 2-155	70525	2-163, 3-27
64500	2-35	65215	2-157	70526	2-163, 3-27
64501	2-35	65221	2-21	70532	2-167, 3-23
64543	2-17, 2-19	65222	2-21	70537	2-232
64545	2-17, 2-19	65226	4-23	70538	2-5
64556	2-145	65227	4-31	70550	2-145
64558	2-145	65229	4-29	70597	2-9
64559	2-35	65230	4-27, 4-29	70598	2-11
64567	2-35	65232	4-37	70603	4-63, 4-65
64580	2-35	65235	4-41	70609	4-63, 4-65
64586	2-183	65240	4-47	70611	4-65
64618	2-35, 2-129, 2-131, 2-133, 2-179	65241	4-27	70612	4-63
64621	2-35, 2-129, 2-131, 2-133, 2-179	65242	2-183, 4-41	70613	4-63, 4-65
64631	2-183	65245	2-185	70615	4-63, 4-65
64635	2-145	65248	2-175	70617	4-63, 4-65
64651	2-183	65249	2-175	70618	4-63, 4-65
64655	2-183	65252	2-21	70620	3-35
64740	2-73	65258	3-19	70622	2-183
64788	2-4, 2-9, 2-11	65278	2-31	70623	2-183
64801	2-9	65281	2-31	70626	2-163, 3-27
64802	2-11	65527	2-69	70627	2-163, 3-27
64811	2-171	65561	2-167, 3-23	70628	2-17, 2-19
64870	2-175	66020	2-5	70631	2-97
64873	2-35	67310	2-139, 2-149	70635	2-121, 2-123, 2-125, 2-127
64874	2-35	67366	2-163, 3-27	70636	2-121
64884	2-13	67683	3-27	70649	2-5
64886	2-139	67767	2-25, 2-117, 2-119, 2-139	70650	2-35
64887	2-139	68445	3-37	70651	2-35
64893	2-29	68866	2-147	70659	3-71
64899	2-51, 3-51	68869	2-135, 2-137	70668	3-71
64905	2-161	69097	2-67	70669	3-19
64919	2-4, 2-7	69234	2-159, 2-179	70690	3-77
64920	2-4, 2-7	69904	2-7	70692	3-75
64950	2-145	69906	2-31	70699	3-33
65129	2-145	70006	2-157	70704	2-13
65145-1	2-149	70072	2-157	70705	2-232
65160	2-163, 3-27	70160	2-39	70709	2-183
65168	2-163	70173	2-105, 2-107, 2-109	70717	2-183
65170	2-163	70218	2-183	70718	2-113, 2-115, 2-117, 2-119
65173	2-163, 3-27	70219	2-183	70719	2-113, 2-115, 2-117, 2-119
65174	2-163, 2-167, 3-23, 3-27	70388	2-27	70725	2-147
65180	2-163, 3-27	70398	2-186	70730	2-31
65188	2-153, 2-155	70400	2-207		
65191	2-153, 2-155	70402	2-186		
		70407	2-17, 2-19		
		70411	2-186		



## CROSS REFERENCE

Part Number	Page Number	Part Number	Page Number	Part Number	Page Number
70742	2-31	73757	3-7	74098	4-33, 4-47
70747	2-147	73771	2-27	74100	4-27, 4-29, 4-37
70749	2-147	73772	2-27	74101	4-37
70754	2-121	73800	3-20	74109	4-41
70756	2-13	73862	2-7	74110	4-41
70761	2-31, 3-37	73863	2-7	74111	4-41
70762	2-31	73870	2-4, 2-9, 2-11	74112	4-41
70767	2-107	73871	3-71	74132	4-31
70775	2-181	73880	3-71	74133	4-31
70783	2-147	73887	2-27	74134	4-31, 4-33
70785	3-35	73889	2-4, 2-9, 2-11	74135	4-31, 4-33, 4-35
70788	3-35	73898	3-3, 3-5, 3-7, 3-9	74136	4-31, 4-33, 4-35
70790	2-181	73899	3-3, 3-5, 3-7, 3-9	74137	4-31, 4-33
70793	3-21	73901	2-13	74145	4-43, 4-47
70802	3-21	73903	2-13	74146	4-47
70807	2-4, 2-9, 2-11	73917	5-3, 5-15, 6-3, 6-15	74148	4-23
70808	2-11	73920	5-3, 6-3	74149	4-23
70809	2-9	73921	5-3, 6-3	74150	4-23
70810	2-181	73927	5-6, 6-6	74151	4-23
70815	3-21	73936	5-6, 6-6	74152	4-23
70825	2-179	73937	5-19, 6-19	74153	4-23
70827	2-161	73950	5-3, 6-3	74154	4-23, 4-25
70832	2-97, 2-99	73954	5-19, 6-19	74156	4-23
70843	2-7	73958	5-3, 6-3	74157	4-23
70844	2-7	73967	5-19, 6-19	74158	4-23
70847	2-161	73970	5-19, 6-19	74159	4-23
70848	2-173	73975	5-3	74160	4-23
70849	2-69	73977	5-22	74161	4-23, 4-25
70851	3-79	73978	5-22	74163	2-149
70876	2-59, 2-67	73979	5-22	74164	3-82
71552	2-153, 2-155	73980	5-22	74174	4-29, 4-41
71725	4-25	73981	5-22	74182	4-41
72970	2-183	73982	5-22	74184	4-3, 4-7, 4-13, 4-17
72978	2-87, 3-43, 3-59	73995	5-21, 6-5, 6-21	74190	4-41
72979	2-69, 2-71, 3-43, 3-59	73996	5-23, 6-23	74194	4-41
73017	2-67	74000	3-3, 3-5, 3-7, 3-9	74195	4-41
73020	2-69	74007	3-19	74210	4-3, 4-7, 4-13, 4-17
73645	2-7	74015	2-31	74214	4-33, 4-35
73646	2-179	74022	2-145	74218	4-41
73648	2-11	74040	2-15	74220	4-33, 4-35
73649	2-9	74045	2-27	74223	4-3, 4-7, 4-13, 4-17
73650	2-179	74046	2-27	74233	4-38, 4-39
73678	2-27	74051	2-147	74240	4-3, 4-7, 4-13, 4-17
73679	2-27	74056	2-173	74246	4-33, 4-35
73685	2-179	74058	2-121	74250	4-27, 4-29, 4-37
73717	3-51	74059	2-163, 3-27	74251	4-41
73720	2-173	74060	2-163	74253	4-3, 4-13
73721	2-173	74062	2-9	74254	4-3, 4-7, 4-13, 4-17
73724	2-7	74063	2-11	74256	4-3, 4-7, 4-13, 4-17
73727	2-37	74064	2-7	74257	4-3, 4-7, 4-13, 4-17
73731	2-139	74066	2-7	74258	4-3, 4-7, 4-13, 4-17
73733	2-139	74067	2-7	74259	4-5, 4-9, 4-15, 4-19
73734	2-35	74069	2-27	74260	4-5, 4-15
73736	2-185	74074	3-71	74261	4-5, 4-15
73737	2-167, 3-23	74081	2-13	74262	4-3, 4-7, 4-13, 4-17
73749	2-27	74082	2-129, 2-131, 2-133	74263	4-3, 4-13
73751	3-5	74089	2-113, 2-115, 2-117, 2-119	74264	4-5, 4-15
73753	3-9	74090	2-167, 3-23	74265	4-3, 4-7, 4-13, 4-17
73755	3-3	74094	4-27, 4-29, 4-37	74266	4-3, 4-7, 4-13, 4-17
				74267	4-3, 4-7, 4-13, 4-17

# CROSS REFERENCE

Part Number	Page Number	Part Number	Page Number	Part Number	Page Number
74270	4-5, 4-9, 4-15, 4-19	75822	4-51	76570	2-103, 2-167, 2-179, 3-23, 3-51
74271	4-5, 4-9, 4-15, 4-19	75823	4-51	76647	2-147
74272	4-3, 4-7, 4-13, 4-17	75824	4-51	76653	2-145
74273	4-3, 4-7, 4-11	75825	4-51	76684	3-31
74274	4-5, 4-9, 4-15, 4-19	75828	3-51, 3-65, 3-67	76736	2-105, 2-107, 2-109
74275	4-5, 4-9, 4-15, 4-19	75854	2-105, 2-107	76762	2-57
74276	4-3, 4-7, 4-13, 4-17	75861	2-23	76825	2-91
74277	4-5, 4-9, 4-15, 4-19	75876	3-71	76870	2-15
74278	4-5, 4-9, 4-15, 4-19	75877	3-71	76888	2-13, 2-186
74279	4-5, 4-15	75880	3-37	768897	2-129
74280	4-3, 4-7, 4-13, 4-17	75881	3-37	76898	3-37
74281	4-3, 4-7, 4-13, 4-17	75883	2-15	76907	2-105, 2-107
74282	4-5, 4-9, 4-15, 4-19	75891	2-25	76948	4-51
74283	4-3, 4-5, 4-7, 4-9, 4-13, 4-15, 4-17, 4-19	75899	3-27	76950	4-51
74391	2-167, 3-23	75901	3-73	76955	2-53, 2-55
74402	2-67	75968	2-183	76956	2-51
74443	2-59, 2-67	75989	3-73	76971	4-51
74455	2-27, 3-35, 3-37, 3-79	76030	3-73	76973	4-51
74509	5-15, 6-15	76036	3-73	76976	4-53
74516	5-3, 6-3	76038	3-73	76977	4-51
74527	5-15, 6-15	76049	3-73	76980	4-51
74536	5-7, 6-7	76055	3-73	769806	2-73
74538	5-5, 5-23, 6-5, 6-23	76069	3-73	769808	2-61
74545	5-19, 6-19	76074	3-73	76982	4-51
74548	5-19, 6-19	76081	3-73	76985	4-51
74552	5-19, 6-19	76084	3-73	76996	4-51
74561	5-11, 6-11	76100	3-73	77097	2-29, 2-159, 2-167, 2-175, 2-181, 3-23
74888	2-173	76285	2-13	77340	2-13
74889	2-173	76286	3-71	77388	2-31
74920	2-7	763113	2-179	77394	2-31
74944	2-127	763114	2-133	77399	2-13, 2-15
75010	2-5	763116	3-43, 3-49, 3-59, 3-63	77400	2-31
75011	2-5	76316	2-157	77406	2-173, 4-27
75012	2-29	76321	2-85, 2-87, 2-89, 2-93	77430	2-41, 2-43, 2-45, 2-47
75028	2-163	76338	3-71	77434	2-41, 2-43, 2-45, 2-47
75046	2-31	763483	4-23	77435	2-41, 2-43, 2-45, 2-47
75047	2-31	76383	2-97, 2-99	77452	2-129, 2-131, 2-133
75099	3-27	76385	3-15, 3-33	77458	3-23
75117	3-27	76406	3-71	77459	2-167, 3-23
75128	2-15	76423	3-17	77463	2-23
75142	3-27	76438	2-163, 3-28	77471	2-35
75197	3-49, 3-63	76461	3-27, 3-31	77473	2-153, 2-155
75303	2-15	76470	2-23	77485	2-161
75428	2-13	76471	2-23	77488	2-161
75456-1	2-179	76472	2-27	77490	2-135
75456-2	2-179	76475	2-27	77491	2-161
75456-3	2-179	76487	2-27	77492	2-161
75456-4	2-179	76490	2-145	77493	2-161
75456	2-179	76491	2-145	77498	2-161
75465	2-37, 3-79	76492	2-13	77499	2-161
75575	2-145	76494	2-13	77516	2-33
75612	2-171	76495	2-13	77523	2-33
75666	2-85, 2-87, 2-89, 2-91, 2-93, 2-95	76497	2-153, 2-155	77531	2-179
75701	3-71	76498	2-153, 2-155	77532	2-179
75768	2-43, 2-45, 2-47	76516	3-35	77553	2-179
75821	4-53	76522	3-35		
		76523	2-147		

# CROSS REFERENCE

Part Number	Page Number	Part Number	Page Number	Part Number	Page Number
77555	3-51, 3-55, 3-65, 3-67, 3-69	77818	4-53	79635	5-9, 6-9
77558	2-105	77819	4-53	79636	5-9, 6-9
77569	3-23	77820	4-53	79638	5-9, 6-9
77575	2-159	77821	4-53	79640	5-9, 6-9
77578	2-177	77822	4-53	79642	2-153, 2-155
77579	2-135	77823	4-53	79644	3-71
77580	2-177	77824	4-53	79646	3-71
77583	2-177	78043	2-105	79647	3-71
77584	2-167, 3-23	78122	2-113, 2-115, 2-117, 2-119	79648	2-185
77593	2-7	78750	2-121, 2-123, 2-125	79670	2-7
77597	2-167, 3-23	78772	3-55, 3-69	79671	2-7
77600	2-167, 3-23	78897	2-59	79674	3-71
77601	2-167	78998	3-31	79680	2-7
77602	2-135, 2-137	79010	2-7	79681	2-7
77605	2-167, 2-177	79011	3-35	79708	4-5, 4-15
77612	3-20	79019	2-31	79711	4-42, 4-43, 4-47
77614	3-20	79025	3-79	79719	4-43, 4-47
77632	2-4	79026	3-79	79728	4-43, 4-47
77634	2-4	79028	2-13, 2-177	79731	4-42, 4-47
77640	2-153, 2-155	79031	2-4	79739	4-42, 4-47
77641	2-153, 2-155	79116	2-13	79740	4-42, 4-43, 4-47
77652	3-35	79138	2-29	79742	4-3, 4-7, 4-13, 4-17
77669	2-167	79139	2-27	79747	4-3, 4-7, 4-13, 4-17
77674	3-45	79140	2-139	79748	4-5, 4-9, 4-15, 4-19
77680	2-7	79151	2-141	79749	4-5, 4-9, 4-15, 4-19
77682	2-167	79152	2-139, 2-141	79750	4-5, 4-9, 4-15, 4-19
77711	2-15	79153	2-139, 2-141	79751	4-5, 4-9, 4-15, 4-19
77727	2-167, 3-23	79155	3-79	79752	4-5, 4-9, 4-15, 4-19
77734	2-7	79156	3-79	79753	4-5, 4-9, 4-15, 4-19
77738	3-23	79157	3-79	79754	4-11
77752	3-24	79158	3-79	79755	4-11, 4-21
77755	3-73	79159	3-79	79756	4-11, 4-21
77759	3-73	79160	3-79	79757	4-11, 4-21
77768	4-63	79167	3-79	79758	4-11, 4-21
77769	4-65	79168	3-79	79759	4-11
77770	2-141, 4-65	79169	3-79	79760	4-11, 4-21
77777	2-7	79170	3-79	79761	4-11, 4-21
77778	2-15	79172	3-79	79762	4-11, 4-21
77782	2-7	79174	3-79	79763	4-11, 4-21
77783	3-23	79176	3-79	79764	4-11, 4-21
77790	2-141, 4-63	79177	3-79	79765	4-11, 4-21
77800	4-55	79381	2-123, 2-125	79766	4-11, 4-21
77801	4-55	79506	2-27	79767	4-11, 4-21
77802	4-55	79591	2-31	79771	4-3, 4-13
77803	4-55	79593	2-145	79772	4-21
77804	4-55	79594	2-145	79774	4-21
77805	4-55	79596	2-29	79776	4-11, 4-21
77806	4-55	79597	2-27	79777	4-21
77807	4-55	79600	2-27	79779	4-3, 4-7, 4-13, 4-17
77808	4-55	79608	2-7	79781	2-163, 3-27, 4-37
77809	4-55	79621	3-27	79782	4-37
77811	3-41, 3-47, 3-57, 3-61, 4-51	79622	3-27	79786	4-45
77812	4-51	79628	5-9, 6-9	79787	4-45
77813	4-51	79629	5-9, 6-9	79788	4-45
77814	4-51	79630	5-9, 6-9	79789	4-45
77815	4-51	79631	5-9, 6-9	79790	4-45
77816	4-53	79632	5-9, 6-9	79791	4-45
77817	4-53	79633	5-9, 6-9	79792	4-45
		79634	5-9, 6-9	79793	4-45
				79794	4-45

# CROSS REFERENCE

Part Number	Page Number	Part Number	Page Number	Part Number	Page Number
79795	4-45	83618	2-29	84891	5-5, 6-5
79797	4-45	83620	2-33	84892	5-5
79798	4-45	83622	2-33	84893	5-5
79799	4-45	83626	3-21	84894	5-5
79812	4-45	83627	3-21	84895	5-7, 6-7
79820	4-45	83639	2-59	84896	5-7, 6-5, 6-7
79822	4-45	83640	2-67	84897	5-7, 6-7
79823	4-45	83641	3-65	84898	5-7, 6-7
79824	4-45	83643	2-105	84899	5-7, 6-7
79956	5-9, 6-9	83644	2-105	84900	5-7, 6-7
79957	5-9, 6-9	83652	2-39	84901	5-7, 6-7
79960	5-9, 6-9	83664	2-39	84902	5-7, 6-7
79961	5-9, 6-9	83669	5-17, 6-17	84903	5-7, 6-7
79962	5-9, 6-9	83673	2-41	84904	5-7, 6-7
79963	5-9, 6-9	83674	2-41, 2-43, 2-45,	84905	5-7, 6-7
79964	5-9, 6-9		2-47	84906	5-7, 6-7
79965	5-9, 6-9	83677	5-24, 6-24	84907	5-6, 6-6
79966	5-9, 6-9	83678	2-59	84910	5-6, 6-6
79967	5-9, 6-9	83679	2-67	84911	5-22
79969	5-9, 6-9	83682	2-59, 2-67	84913	5-22
79970	5-9, 6-9	83683	2-59, 2-67	84914	5-22
79972	5-15, 6-15	83684	2-59, 2-67	84915	5-19, 6-19
79973	5-15, 6-15	83685	2-59, 2-67	84916	5-19, 6-19
79974	5-15, 6-15	83686	2-59, 2-67	84917	5-19, 6-19
79975	5-23, 6-23	83689	2-41	84919	5-19, 6-19
79976	5-15, 6-15	83690	2-121, 2-123	84921	5-19, 6-19
80395	2-167, 3-23	83691	2-121	84923	5-13
82063	3-3, 3-5, 3-11	83692	2-39	84924	5-13, 6-13
82168	2-147	83693	2-205	84925	5-13, 6-13
82200	3-7, 3-9, 3-13	83695	2-206	84926	5-13, 6-13
82509	2-107	83699	3-30	84927	5-13, 6-13
82510	2-107	83706	3-79	84936	5-19, 6-19
82661	2-97, 2-99, 2-103	83707	5-24	84947	5-13
82727	2-15, 4-61	83729	2-39	84950	5-21, 6-21
82731	2-39	83731	2-39	84951	5-21, 6-21
82733	2-181	83732	5-24, 6-24	84952	5-21, 6-21
82739	2-37, 3-79	83747	2-39	84953	5-21, 6-21
82820	2-153, 2-155	83750	2-39	84954	5-21, 6-21
82825	2-29	83758	2-59, 2-67	84955	5-21, 6-21
82830	2-21	83853	2-39	84956	5-21, 6-21
82832	2-139	84013	2-159, 4-47	84957	5-21, 6-21
82835	2-153, 2-155	84015	2-181, 3-27, 4-42	84958	5-21, 6-5, 6-21
82839	2-147	84016	2-167, 3-23, 4-43	84961	5-21, 6-21
82843	2-153, 2-155	84103	2-147	84962	5-3, 6-3
82921	2-13	84581	2-163, 3-27	84963	5-11, 6-11
82962	3-71	84659	5-17, 6-17	84964	5-11, 6-11
83547	2-33	84875	5-3	84965	5-11, 6-11
83548	2-33	84876	5-3	84966	5-11, 6-11
83549	2-23	84877	5-3	84967	5-11, 6-11
83551	2-23	84878	5-3, 6-3	84968	5-11
83553	2-23, 2-25	84879	5-3, 6-3	84969	5-11, 6-11
83554	2-23, 2-25	84880	5-3, 6-3	84970	5-11, 6-11
83555	2-25	84882	5-3, 5-24, 6-3, 6-24	84971	5-11, 6-11
83557	3-21	84883	2-4, 5-3, 6-3	84972	5-11
83578	2-59, 2-69, 2-71	84884	5-3, 6-3	84973	5-11, 6-11
83580	2-59, 2-69, 2-71	84885	5-5	84974	5-11, 6-11
83581	2-39, 2-51, 2-53	84886	5-5	84975	5-11, 6-11
83584	2-89, 2-91, 2-93,	84887	5-5, 6-5	84976	5-11, 6-11
	2-95, 2-127	84888	5-5	84977	5-11, 6-11
83591	2-109	84889	5-5, 5-11, 6-5, 6-11		

<b>Part Number</b>	<b>Page Number</b>	<b>Part Number</b>	<b>Page Number</b>
84978	5-11, 5-19, 6-11, 6-19	9006588	7-5
84979	5-11, 6-11	9006589	2-65, 2-81
84980	5-11	9006591	2-61, 2-65
84981	5-11, 6-11	9006592	2-109, 2-111
84982	5-23, 6-23	9006633	2-57
84983	5-5, 5-23, 6-5, 6-23	9006635	2-57
84984	5-23, 6-23	9006741	2-133
84985	5-15, 6-15		
84987	5-23, 6-23		
84988	5-23, 6-23		
84989	5-23, 6-23		
84990	5-15, 6-15		
84991	5-15, 6-5, 6-15		
84992	5-15, 6-15		
84993	5-23, 6-23		
84994	5-23, 6-23		
84995	5-15, 6-15		
84996	5-15, 6-15		
84997	5-15, 6-15		
84998	5-23, 6-23		
84999	5-9, 6-9		
86034	2-145		
86041	2-39		
86328	2-107		
86773	2-173		
86798	2-7		
86810	2-173		
86824	2-61		
86860	2-7		
86953	2-147		
87337	3-77		
87396	2-105, 2-107, 2-109, 2-111		
87515	2-7		
87536	2-185		
87579	4-59, 4-61		
87583	2-186		
87631	2-171		
87866	2-185		
87948	3-17		
87972	2-129		
9000355	2-111		
9000360	2-125		
9000823	4-67		
9001070	2-129, 2-131		
9001183	2-129		
9001293	2-147		
9001554	2-131, 2-133		
9001702	4-49		
9002915	3-69		
9003676	5-24		
9003927	3-84		
9004327	2-19		
9004539	2-78		
9006583	7-5		
9006584	7-5		
9006585	7-5		
9006586	2-4		
9006587	7-5		

**PART DESCRIPTION TO PAGE NUMBER CROSS REFERENCE LIST**

**A**

A/C Hose #6 134A, 4-59  
 A/C Hose#10 134A, 4-59  
 Actuator, Valve En, 4-5, 4-9, 4-15, 4-19  
 Actuator-Lh, Governor, 2-59, 2-67  
 Adapter, Carburetor, Ford 2.3, 2-59, 2-67  
 Adapter, Throttle Body, 2-77  
 Adapter, Valve, 400mm [Bosch], 2-81  
 Adaptor Wldt, Vac Wand, 3-71  
 Adaptor, Elbow, Carb, Gas, 2-59  
 Adaptor, Filter, Remote, 2-57  
 Adaptor, Fuelline, 2-109  
 Adaptor, Intake, Lpg [3.0l], 2-77  
 Adaptor, Valve, Fuel Trim, 2-77  
 Adaptor, Water Pump Machined, 2-39  
 Adaptor, Neutral En, 4-21  
 Adhesive, 4-51, 4-53  
 Adjuster, Manual, 4-63, 4-65  
 Alternator Kit, Hd, Gas/Lpg, Cj[800/810],  
 3-69  
 Alternator, 12vdc, 075a [Valeo], 2-51,  
 2-53, 2-55  
 Alternator, 12vdc, 100A [Brushless], 3-51,  
 3-67  
 Alternator, 50A/12V Mando, 2-39  
 Alternator, Se [800/810, 07], 3-55, 3-69  
 Alternator, 3-65  
 Angle, Bolt, Latch, 2-17, 2-19  
 Angle, Dust Seal, 2-27  
 Angle, Heat, Shield, 2-53, 3-51, 3-67  
 Angle, Mount, 2-31  
 Angle, Mtg, .12x1x1x4.5L, 2-71  
 Angle, Mtg, 2-113, 2-115, 2-117, 2-119  
 Angle, Retainer, Lip, 2-27  
 Angle, Retainer, Seal, 2-9, 2-11  
 Angle, Torque, Tube, 2-173  
 Angle, 3-71  
 Arm Alternator, 2-39  
 Arm Kit, 7-3  
 Arm Wldt, Brush Arm, Front, Lh, 2-173  
 Arm Wldt, Brush Arm, Front, Rh, 2-173  
 Arm Wldt, Hopper Lift w label, 2-23  
 Arm Wldt, M Br, Idler, 2-171  
 Arm Wldt, M Br, Motor, 2-171  
 Arm, Thr, Ball, 5-9, 6-9  
 Arm, Adj, Alternator, Hd [800/810 07],  
 3-55, 3-69  
 Arm, Adj, Alternator, 2-53  
 Arm, Adjmt, Alternator, 2-55  
 Arm, Alternator, Hd [Gm3.0l], 3-51, 3-67  
 Arm, Alternator, 2-51  
 Arm, Control En, 4-3, 4-7, 4-13, 4-17  
 Arm, Lift, Hpr, Lower, 2-23  
 Arm, Rear Wiper, 4-51  
 Arm, Safety W/Label, 2-23  
 Arm, Tens [2008], 3-55  
 Arm, Tens, 3-51  
 Arm, Tension, A/C, .18 1.3w 4.2l, 3-51  
 Armature, 5-9, 6-9  
 Armrest, Black, 2-13, 4-53

**B**

Backing Plate Rh, 4-63  
 Backplate S/A En, 4-5, 4-9, 4-15, 4-19  
 Baffle, 5-3, 6-3  
 Balancer, 7-11  
 Ball En, 4-21  
 Ball Joint .375-24, 3-71  
 Ball, 4-31, 4-33, 7-3  
 Balljoint .375-24 Lh, 3-71  
 Balljoint, Rod End, 2-139  
 Band, Mtg., 2-85, 2-87, 2-89, 2-93  
 Bar Wldt, Brush Pressure, 2-171  
 Bar Wldt, Pivot, 2-147  
 Bar, Cylinder End, 2-25  
 Bar, Equalizer, 2-145  
 Bar, Frame, 2-7  
 Bar, Prop, 3-71  
 Bar, Retainer, Dust Seal, 2-27  
 Bar, Retainer, 2-13  
 Bar, Shaker Stem, 2-35  
 Battery, 12V, Wet, 2-135  
 Battery, Wet, 12vdc 0700cca, 2-137  
 Bearing Cam., 5-6, 6-6  
 Bearing Kit, .001 U.S., 7-7  
 Bearing Kit, .001" #1, 2, 3, 4, 7-11  
 Bearing Kit, .001" #5, 7-11  
 Bearing Kit, .010" #1, 2, 3, 4, 7-11  
 Bearing Kit, .020" #1, 2, 3, 4, 7-11  
 Bearing Kit, .025" #5, 7-11  
 Bearing Kit, .030" #1, 2, 3, 4, 7-11  
 Bearing Kit, Cshft, .010[F2.3/2.5l], 5-13,  
 6-13  
 Bearing Kit, Cshft, .020[F2.3/2.5l], 5-13,  
 6-13  
 Bearing Kit, Cshft, .030[F2.3/2.5l], 5-13,  
 6-13  
 Bearing Kit, Cshft, .040[F2.3/2.5l], 5-13,  
 6-13  
 Bearing Kit, Cshft, Std[F2.3/2.5l], 5-13,  
 6-13  
 Bearing Kit, Std #1, 2, 3, 4, 7-11  
 Bearing Kit, Std #5, 7-11  
 Bearing Kit, Std, 7-7  
 Bearing Kit, 7-7, 7-12  
 Bearing Thrust, 4-37  
 Bearing, .016 Camshaft, 5-6, 6-6  
 Bearing, Fiberglide .50 X .50, 2-35  
 Bearing, Fiberglide, 2-147  
 Bearing, Flange .500B, 2-183  
 Bearing, Flange .625 Bore, 2-31, 3-71  
 Bearing, Flange .875 Bore, 2-163, 3-27  
 Bearing, Journal, 2-25, 2-29, 2-173  
 Bearing, Needle, 4-41  
 Bearing, Nylon .50B, 2-161  
 Bearing, Nylon, 2-31, 3-79  
 Bearing, Thrust .500, 2-7  
 Bearing, Thrust - Fiberglide, 2-35  
 Bearing, Ball.669B 1.575D .472W, 2-39  
 Bearing&Clr, .125B 2.44D 1.41W, 2-171  
 Bearing-Ball, 0.59B 1.26D 0.35W, 2-173  
 Bearing-Ball, 1.38B 2.83D 0.67W, 2-171

Bearing-Cone, 1.38Bore 0.72Wth, 2-141  
 Bearing-Cone, 1.50Bore 0.75Wth, 2-141  
 Bearing-Cone, 2.63Bore 0.87Wth, 2-139  
 Bearing-Cup, .433Dia 0.74Wth, 2-139  
 Bearing-Cup, 2.56Dia 0.55Wth, 2-141  
 Bearing-Cup, 2.72Dia 0.59Wth, 2-141  
 Bearing-Flange, 2 Hole 0.50Bore, 2-183  
 Bearing-Journal, 2-23, 2-25  
 Bearing, 2-35, 2-163, 2-167, 3-23, 3-27,  
 4-3, 4-5, 4-7, 4-9, 4-13, 4-15,  
 4-17, 4-19, 4-36, 5-9, 5-22, 6-9,  
 6-22  
 Bearing-Journal, 2-23  
 Bell Crank En, 4-21  
 Bell Crank, 4-11  
 Belt, Seat, 3-77  
 Belt, V, [3v] 39.6l [Hc41], 2-53, 2-55  
 Belt, V, [3v] 38.5l [Hc38/41], 3-52  
 Belt, V, [3v] 40.0l, 1only [Hc38], 2-51,  
 3-51  
 Belt, V, [Hc41] 42.0l, 3-51, 3-67  
 Belt, V, 38.5l [Hc38], 3-55  
 Belt, V, 45.1l [Hc38], 3-55, 3-69  
 Belt, V, Hc 38-46.375, 2-39  
 Belt, V, Hc41 40.1L, 3-45  
 Belt, V, Hc41 41.1L, 3-45  
 Belt, V, 3-65  
 Binary, 4-57  
 Blade Arm, Rear, 4-51  
 Blade, Deflector, 2-4, 2-7  
 Block Assy, 5-3, 6-3  
 Block, 3-23  
 Blower, Heat/Ac, 4-59, 4-61  
 Body Assembly, 4-23  
 Body Assy, 4-23  
 Body, 4-25  
 Bolt (1/4-20x.62), 7-9  
 Bolt (5/16-18x5/8), 7-9  
 Bolt (1/4-20x1/12 Hex), 7-12  
 Bolt (1/4-20x1/12), 7-12  
 Bolt (1/4-20x1/2), 7-9  
 Bolt (5/16-18x1.5 Hex), 7-12  
 Bolt M12, 5-3, 5-6, 6-3, 6-6  
 Bolt M12X45, 5-19, 6-19  
 Bolt, Carriage, .38-16 X 1.00, 2-171  
 Bolt, Clutch, 2-43, 2-45, 2-47  
 Bolt, Eye, Lift, 2-45  
 Bolt, Latch, 2-9, 2-11  
 Bolt, M6X16.5mm, 5-3, 6-3  
 Bolt, M8 X 17 Schd, 5-7, 6-7  
 Bolt, M8X12.0mm, 5-23, 6-23  
 Bolt, Motor, Hyd, 4-35  
 Bolt, Shld, .50d X 0.50, .38-16, 2-163,  
 3-27  
 Bolt, Starter, 2-43, 2-45, 2-47  
 Bolt, U, .25-20 X 2.00, 1.10id, 3-43, 3-49,  
 3-59, 3-63  
 Bolt, M10X40.0mm, 5-11, 6-11  
 Bolt, M10X55.0M, 5-15, 6-15  
 Bolt, M10X58.0mm, 6-17  
 Bolt, M14X55.0M, 5-13, 6-13

- Bolt,M5X20.0M, 5-11, 6-11
- Bolt,M6X27.5mm, 5-11, 6-11
- Bolt,M6X37.5mm, 5-7, 6-7
- Bolt,M6X47.5mm, 5-11, 6-11
- Bolt,M6X52.5mm, 5-11, 6-11
- Bolt,M8X18.0M, 5-23, 6-23
- Bolt,M8X20.0mm, 5-11, 6-11
- Bolt,M8X25.0mm, 5-15, 6-15
- Bolt,M8X53.0mm, 5-23, 6-23
- Bolt,Tens.Sprn, 5-19, 6-19
- Bolt-Conrod-4, 5-22, 6-22
- Bolt-Eye M8-1.25, 2-163, 3-27
- Bolt-Thru, 5-9, 6-9
- Bolt, 2-61, 2-63, 2-73, 2-77, 2-78, 4-31, 4-33, 5-17, 5-19, 6-19, 7-3, 7-5, 7-7, 7-9, 7-11, 7-12
- Boot, 90deg .44id 0.62id 1.69l, Blk, 3-17
- Boot, Circuit Breaker, 3-35
- Boot, Circuitbreaker, 2-186, 3-35
- Boot, Str .42ID .12H .25L, 2-39
- Boot, Str 0.42id .12h 0.25l, 2-51, 2-53, 2-55
- Boot, Switch, Ignition, 2-185
- Boot, Switch, 2-185
- Boot-Circuit Breaker, 2-186
- Boot, 2-183
- Box Assy, Heat/Ac, 4-59
- Box Assy, Heat, 4-61
- Box Assy, Heater, A/C (See Breakdowns), 3-41, 3-47, 3-57, 3-61
- Box, Mounting, Lever, Vac, 3-71
- Brace Wldt, Bumper, Se, 3-21
- Bracket [Epr], 2-81
- Bracket Kit, Mtg, Cable, Replmt[800/810], 2-147
- Bracket Wldt, Alternator Mtg, 2-39
- Bracket Wldt, Eng/Alt Mount, 2-41
- Bracket Wldt, Fan Inlet, 2-179
- Bracket Wldt, Gas Spring, 2-15
- Bracket Wldt, Lift, 3-27
- Bracket Wldt, Mounting, Valve, 2-161
- Bracket Wldt, Mtg, A/C [800 07], 3-55
- Bracket Wldt, Mtg, A/C, 3-51
- Bracket Wldt, Mtg, Battery, 2-137
- Bracket Wldt, Mtg, Headlight, 2-33
- Bracket Wldt, Mtg, Motor [2007], 2-133
- Bracket Wldt, Mtg, Motor, 2-133
- Bracket Wldt, Pivot, 3-27
- Bracket Wldt, Steering Tilt, 2-183
- Bracket Wldt, Tank, Lpg, 2-113, 2-115, 2-117, 2-119
- Bracket Wldt, 3-73
- Bracket, Bottom, 7-5
- Bracket, Adjuster, Brake, 2-145
- Bracket, Alternator, 2-51, 2-53, 2-55
- Bracket, Angle, 2-163, 2-179, 3-23, 3-27, 3-33
- Bracket, Battery, 2-135
- Bracket, Belt, Guard, A/C, 3-51
- Bracket, Belt, Guard, Ac, 3-45
- Bracket, Box, Relay, 2-65, 2-81
- Bracket, Brace Center, 2-15
- Bracket, Brush Lift, Main, 2-175
- Bracket, Eng Mtg Rh, 2-41
- Bracket, Eng, 2-135
- Bracket, Flasher, 3-15, 3-17
- Bracket, Fltr, Fuel, 2-109
- Bracket, Fltr, Lpg [6600], 2-73
- Bracket, Guard, Alternator, Hd [800/810], 3-55, 3-69
- Bracket, Guard, Alternator, Hd [Gm3.0], 2-55, 3-51, 3-67
- Bracket, Ignition, 2-39
- Bracket, Isolator, 2-101
- Bracket, L 12.0L Hood Support, 2-15
- Bracket, L, 2.20,2.00, .18T,1., 2-129, 2-131, 2-133
- Bracket, Lh, 2-31
- Bracket, Lift, 2-163
- Bracket, Mounting Motor, 2-181
- Bracket, Mounting, Eng, Rear, 2-41, 2-43, 2-45, 2-47
- Bracket, Mounting, Eng,Rear Lh, 2-41, 2-43, 2-45, 2-47
- Bracket, Mounting, Gearmotor, 3-79
- Bracket, Mounting, Headlamp, 2-31
- Bracket, Mounting, Mirror, 3-37
- Bracket, Mounting, Motor, 2-163, 3-27
- Bracket, Mounting, Skirt, 3-73
- Bracket, Mounting, Vaporizer, 2-69
- Bracket, Mounting, 2-159
- Bracket, Mtg, Alternator, Hd,[Gm3.0], 3-51
- Bracket, Mtg, Alternator, Hd[800/810 07], 3-55, 3-69
- Bracket, Mtg, Alternator, Lower,[Gm3.0], 3-67
- Bracket, Mtg, Battery, 2-135
- Bracket, Mtg, Coil, 2-39
- Bracket, Mtg, Eng, Lh, 2-43, 2-45, 2-47
- Bracket, Mtg, Eng, Rear, 2-41, 2-43, 2-45, 2-47
- Bracket, Mtg, Eng, Rh, 2-41, 2-43, 2-45, 2-47
- Bracket, Mtg, Fltr, Oil, W/ Label [800], 2-129
- Bracket, Mtg, Fltr, Oil, W/Label [800], 2-129, 2-131, 2-133
- Bracket, Mtg, Ftg, 2-29
- Bracket, Mtg, Fuelline, 2-107
- Bracket, Mtg, Heat Shield, 2-101, 2-103
- Bracket, Mtg, Isolator [800/810 07], 2-103
- Bracket, Mtg, Isolator, 2-101
- Bracket, Mtg, Mirror, 3-37
- Bracket, Mtg, Ohg, 3-19
- Bracket, Mtg, Plate, Lh, 2-173
- Bracket, Mtg, Plate, Rh, 2-173
- Bracket, Mtg, Propel Cable, 2-147
- Bracket, Mtg, Skirt, 2-27
- Bracket, Mtg, Tank, Coolant F/87972, 2-129
- Bracket, Mtg, Valve, Cntrl, Heater, 3-43, 3-49, 3-59, 3-63
- Bracket, Mtg, Valve,Control, Heater, 3-43, 3-59
- Bracket, Mtg, Valve, 2-181
- Bracket, Oper Comp, 2-13
- Bracket, Pivot, 2-163
- Bracket, Pump, Fuel, 2-105, 2-107, 2-109
- Bracket, Retainer, Battery, 2-137
- Bracket, Rh, 2-31
- Bracket, Side Brush, Valve, 3-23
- Bracket, Spring, 2-163, 3-27
- Bracket, Stand-Off, Fltr, Air, 2-91, 2-95
- Bracket, Starter, 2-43, 2-45, 2-47
- Bracket, Steering, Machining (Repl. by 375534), 2-139
- Bracket, Steering, Machining, 2-139
- Bracket, Tail Pipe, 2-97, 2-99, 2-101
- Bracket, Tailpipe [800/810 2007], 2-103
- Bracket, Tailpipe, 2-101
- Bracket, Top, 7-5
- Bracket, Wldt,Cable Mtg, 2-147
- Bracket,A/C Dryer, 4-57
- Bracket-Mtg, Governor, 2-59, 2-67
- Bracket, 2-7, 2-121, 3-3, 3-5, 3-7, 3-9, 3-15, 3-73, 4-53, 7-3, 7-9
- Brake Assy, Drum, Hyd, 08.0d 1.6w Lh, 4-65
- Brake Assy, Drum, Hyd, 08.8d 1.6w Rh, 4-63
- Brake Assy, Lh (See Breakdowns), 2-141
- Brake Assy, Rh (See Breakdowns), 2-141
- Breaker-Circuit, 15 Resetable, 3-79
- Breaker-Circuit, 2.5 Resetbl, 2-186
- Breaker-Circuit, 15 Resetbl, 2-186
- Breaker-Circuit, 15 Resetable, 3-35
- Breather Cap and Gasket, 2-157
- Breather Cap, 5-21, 6-21
- Breather, Hyd 40Mic No Ds, 2-4
- Breather, Hyd, 2-157
- Brg-Conn.Rod, 5-22
- Brkt,Mtg,Htr Coil, 4-61
- Brkt-L,1.2 1.0 .12 .8L2/H&S, 2-39
- Brush Holder, 5-9, 6-9
- Brush Kit, 2-39
- Brush, Swp, Wedge, Polypropylene, 2-5
- Brush-Outsd -Polypropylene, 2-5
- Brush-Patrl -Nylon, 2-5
- Brush-Side Swp -Assy-Nylon, 2-5
- Brush-Side Swp -Assy-Polypropylene, 2-5
- Brush-Side Swp -Nylon, 2-5
- Brush-Side Swp -Polypropylene, 2-5
- Brush-Side Swp -Assy-Flat Wire, 2-5
- Brush-Side Swp -Flat Wire, 2-5
- Brush-Sweep -Nylon (24SR), 2-5
- Brush-Sweep -Nylon (8DR), 2-5
- Brush-Sweep -Polypropylene&Wire, 2-5
- Brush-Sweep -Polypropylene, 2-5
- Brush-Sweep -Wire, 2-5
- Bshg,Flange,0.62Bx0.68Od,Nylon, 3-37
- Bulb, #194, 3-17
- Bulb, 12V .5A 4Cp #1157, 2-7
- Bulb, 12V, 3-3, 3-5, 3-7, 3-9
- Bulb, 3-11, 3-13
- Bumper Assy, Se, 3-21
- Bumper Wldt., Rear, Gas/Die, 2-7
- Bumper Wldt., Rear, LPG, 2-7

## CROSS REFERENCE

Bumper Wldt, Lh, 2-33  
Bumper Wldt, Rear, Gas/Dsl, 2-7  
Bumper Wldt, Rear, Lpg, 2-7  
Bumper Wldt, Rh, 2-33  
Bumper Wldt, Se, Rh, Front, 3-21  
Bumper Wldt, Sppt, Hopper, Rh, 2-33  
Bumper Wldt, Se, Lh, Front, 3-21  
Bumper, Corner, Mach, 2-7  
Bumper, Cover, Hopper, 2-31  
Bumper, Rbr, 1.5d 1.50 0.28h, 2-17, 2-19  
Bumper, Rubber, 2-13, 2-21, 2-31, 3-5, 3-9, 3-35  
Bushing En, 4-7, 4-17  
Bushing En, 4-5, 4-9, 4-15, 4-19, 4-45  
Bushing, Isolator-Inner, Rbr., 2-161  
Bushing, Isolator, 2-35, 2-129, 2-131, 2-133, 2-179  
Bushing, Rubber, 2-85, 2-87, 2-89, 2-93  
Bushing, Seal, 4-41  
Bushing, Sleeve, .40b X .50d X 1.06l, 3-51  
Button, Plug 1.25H, 2-186  
Button, Plug, 0.50h .03-.12 [Black Nyl], 3-57, 3-61

### C

Cab Assembly Operator (See Breakdowns), 3-35  
Cab Assy, W/Label (Gas), 4-51  
Cab Assy, W/Label (LPG), 4-51  
Cable Assy, Choke 67.00Lg, 2-59  
Cable Assy-Batt, Pos, 48.0, 2Ga, 2-135  
Cable Tie Mount, 3-3, 3-5, 3-7, 3-9  
Cable, Battery, 02ga 36.0l Blk .38ring, 2-137  
Cable, Battery, 02ga 48.0l Red .41ring, 2-137  
Cable, Brake, Park, 2-145  
Cable, Cntrl, Choke, 85/90l 1.4d Knob, 3-43, 3-49, 3-59, 3-63  
Cable, Glv .25d 016.8l .64eye /.64eye, 2-167  
Cable, Glv .25d 021.2l .63eye /.63eye, 2-167  
Cable, Lift, Brush, Front, 2-175  
Cable, Lift, Main Brush, 2-175  
Cable, Push, Pull, 2-147  
Cable, Retaining, S Br, 3-23  
Cable, Side Brush, Lift, 3-23  
Cable, Speed Control, 2-147  
Cable, 2-163, 3-27  
Cabletie Mount, Adhesive, 3-11, 3-13  
Cam, 2-147  
Camplate S/A En, 4-3, 4-7, 4-13, 4-17  
Camsft. Sensor, 5-11  
Camshaft, 5-19, 6-19, 7-12  
Camshft Sprckt, 5-19, 6-19  
Cap Assembly En, 4-45  
Cap Screw En, 4-3, 4-7, 4-13, 4-17  
Cap Screw, 4-37  
Cap, Cyl Assy, Master Brake, 2-145  
Cap, Distributor, 7-5  
Cap, End, 4-41

Cap, Fill, Oil, 7-3  
Cap, Fuel, Tank, 2-111  
Cap, Fuel, 2-105  
Cap, Grease Black Paint, 2-141  
Cap, Radiator, 14psi [Stant], 2-129, 2-131, 2-133  
Cap, Screw, 4-27, 4-29, 4-41  
Cap, Tank, Fuel, 2.3neck 2.6d, 2-107, 2-109  
Cap, Valve Spring, 7-3  
Cap, Valve Stem, 2-143  
Cap, Wheel, Steering, 2-183  
Cap, 2-39, 7-12  
Carburetor, Gas, 2-59  
Carburetor, Lpg W/Gasket, 2-67  
Cart., Check Valve CP, 4-47  
Cart., Pilot CNTR CP, 4-47  
Cart., PSI CNR CP, 4-47  
Cart, Pilot Cntr, 4-43  
Chain, Jack, #12, 08.5l 11 Links, 3-71  
Chain, Link#2/0, 7Links, 2-4  
Chain, Sash, #35, 06.0l 11 Link, 2-7  
Chain, Link#2/0, 7Links, 2-7  
Channel Wldt, Mtg, Eng, Rear, 2-43, 2-45, 2-47  
Channel Wldt, Mtg, Engine, Rear, 2-41  
Channel, Mounting, 2-7  
Channel, Mtg, Fan Motor, 2-129, 2-131  
Channel, Mtg, Steering Latch, 2-183  
Channel, Retainer, Seal, Rear, 2-4  
Channel, Retainer, Seal, Rear, 2-7  
Channel, Retainer, 2-4, 2-7, 2-139  
Charge Pmp Adap En, 4-5, 4-9, 4-15, 4-19  
Check Valve, 100 Psi, 3-27  
Circuitbreaker, 20.0a, Thermal, 3-41, 3-47, 3-57, 3-61  
Circuitbreaker, 15A, Resetable, 3-35  
Circuitbreaker, 15A, Restable, 2-186  
Circuitbreaker, 2.5A, Restable, 2-186  
Clam Latch, 4-53  
Clamp, Cable, Stil, 0.18d X 0.75w, 1hole, 3-43, 3-49, 3-59, 3-63  
Clamp, Cable, Stil, 0.38d X 0.62w, 1h, 2-107, 2-109  
Clamp, Cable, Stil, 0.44d X 0.62w, 1h, 2-37  
Clamp, Cable, Stil, 0.69d X 0.62w, 1hole, 2-117, 2-119  
Clamp, Cable, Stil, 0.9x1.8x0.62w, 1h, 2-109  
Clamp, Cable, Stil, 1.00d X 0.75w, 1h, 2-159, 2-179  
Clamp, Cable, Stil, 1.0x2.0x0.62w, 1hole, 2-163, 3-27  
Clamp, Cable, Stil, 1.25d X 1.00w, 1h, 2-15, 2-57  
Clamp, Cable, Stil, 1.50d X 0.75w, 1h, 2-107  
Clamp, Cable, Stil, 1.75d X 1.00w, 1h, 2-123, 2-125  
Clamp, Cable, Stil, 1.75d X 1.00w, 1hole, 2-127

Clamp, Cable, Stil, 2.00d X 0.75w, 1h, 2-109  
Clamp, Cable, Stil, 2.00d X 0.75w, 1hole, 2-111  
Clamp, Cable, Stil, 2.25d X 1.00w, 1h, 3-43, 3-49, 3-59, 3-63  
Clamp, Cable, Stil, 2.25d X 1.0w, 1h, 2-107  
Clamp, Cable- Brake, 2-145  
Clamp, Cable, 2-139  
Clamp, Hold Down, 4-63, 4-65  
Clamp, Hose, 1.0, 2-82  
Clamp, Hose, Spring Stil, 0.86d X 0.38w, 2-89, 2-91, 2-93, 2-95  
Clamp, Hose, Spring, 0.62d, 2-81  
Clamp, Hose, Wormdrive, 0.25-0.62d, .31w, 2-111, 2-127  
Clamp, Hose, Wormdrive, 0.25-0.62d, 2-107, 2-109  
Clamp, Hose, Wormdrive, 0.50-1.06d, 2-61  
Clamp, Hose, Wormdrive, 0.56-1.06d, .56w, 2-63, 2-81  
Clamp, Hose, Wormdrive, 0.56-1.06d, 2-71, 2-77, 2-87, 3-43, 3-49, 3-59, 3-63  
Clamp, Hose, Wormdrive, 0.81-1.50d, 2-57, 2-61, 2-73, 3-49, 3-63  
Clamp, Hose, Wormdrive, 1.06-2.00d, 2-123, 2-125, 2-127  
Clamp, Hose, Wormdrive, 1.25-2.00d, 2-123, 2-125  
Clamp, Hose, Wormdrive, 1.31-3.25d, .50w, 2-93  
Clamp, Hose, Wormdrive, 1.31-3.25d, 2-89  
Clamp, Hose, Wormdrive, 2.25-3.25d, .50w, 2-91, 2-95, 2-127  
Clamp, Hose, Wormdrive, 2.50-3.50d, .50w, 2-91, 2-95  
Clamp, Hose, Wormdrive, 5-3, 6-3  
Clamp, Mtg, Motor, Upper, 2-35  
Clamp, Muffler, 1.62d, 2-101, 2-103  
Clamp, Valve, Trim [Impco], 2-78  
Clamp, Cable .44d .62Wide, 3-79  
Clamp-Cable, 0.25Dia 0.56Wth, 2-145, 3-79  
Clamp-Cable, 0.38Dia 0.38Wth, 3-71  
Clamp-Cable, 0.38Dia 0.62Wth, 2-105  
Clamp-Cable, .69Dia, 62Wth, 2-25  
Clamp-Muffler, For 1.87 Od Tube, 2-97, 2-99  
Clamp-Muffler, For 2.00 Od Tube, 2-97, 2-99  
Clamp-Wormdrive, 0.25- 0.62D, 2-59, 2-67  
Clamp-Wormdrive, 0.56- 1.06D, 2-59, 2-69, 2-71  
Clamp-Wormdrive, 0.81- 1.50D, 3-17  
Clamp-Wormdrive, 1.06- 2.00D, 2-121  
Clamp-Wormdrive, 1.62- 3.50D, 2-35, 2-85, 2-87, 2-89, 2-93  
Clamp-Wormdrive, 2.63- 4.50D, 2-179



Clamp-Wormdrive, 3.62- 5.50D, 2-179  
 Clamp, 2-61, 2-63, 2-73, 2-78, 7-5, 7-12  
 Cleaner, Air Al Se, 2-85, 2-87, 2-89, 2-93  
 Clevis, Adjust. 0.25-28Th. Cad., 2-147  
 Clevis, Adjust. 0.50-13Th. Cad., 2-175  
 Clip Finger Grip, 3-71  
 Clip, Keeper, Open, 2-117, 2-119  
 Clip, Pine-tree .236h Plastic, 2-13  
 Clip, Pine-Tree .250h Plastic, 2-7  
 Clip, Tree, 2-15  
 Closure, 4-51  
 Coil 12V CP, 4-47  
 Coil, 12V W/Var, 4-42, 4-43  
 Coil, Condenser, 4-57  
 Coil, Evaporator, 4-59  
 Coil, 7-5  
 Column, Steering 12", 2-183  
 Compressor, A/C [2007], 3-55  
 Compressor, A/C, 3-45, 3-51  
 Condenser Assy, A/C, 4-57  
 Condenser, A/C, Roof (See Breakdowns),  
 3-41, 3-47  
 Conn Rod, 7-7  
 Connecting Rd, 5-22, 6-22  
 Connector, Ele, Plug, Femal, .156d, 3-33  
 Connector, Fuel, E90, Qf, 2-111  
 Connector, Fuel, Qf, 2-109  
 Control Unit, Gov. (Repl. by 374127), 2-67  
 Control Unit, Gov., 2-59  
 Control, Electronic, Gas, 4-71  
 Control, Govnr [All Purpose], 2-59  
 Control, Manual (See Breakdowns), 4-3,  
 4-7, 4-13, 4-17  
 Control, Manual, 4-11  
 Controller Assy, Rfs, 3-79  
 Controller, Lpg, 12Vdc, 2-71  
 Converter, Lpg, 2-77  
 Cooler-Hyd, 2-21  
 Coupler En, 4-5, 4-9, 4-15, 4-19  
 Coupling Flywheel, 2-41  
 Coupling, Quickdisc, Lpg, Shwd, 2-113,  
 2-115, 2-117, 2-119  
 Coupling, 3-79  
 Cover Assy, Hopper, 2-31  
 Cover Weldt., 2-39  
 Cover Wldt, Engine Se, 2-15  
 Cover Wldt, Fuel Inlet, 3-35  
 Cover Wldt, Inlet, Fuel (LPG Only), 3-35  
 Cover, Cab Pressurizer, 3-35  
 Cover, Electrical, 3-79  
 Cover, Hose, 2-81  
 Cover, Housing, Electrical, 3-79  
 Cover, Motor, 3-79  
 Cover, Relay Panel, 2-186  
 Cover, Rocker Switch Seal, 2-167, 2-185,  
 3-23  
 Cover, Rocker, Switch Seal, 2-175  
 Cover, 2-39, 7-3, 7-7, 7-9, 7-11  
 Cradle Sub Assy En, 4-7, 4-17  
 Crankshaft Asy, 5-13, 6-13  
 Crankshaft, 7-11  
 Crnkst Seal-Rear, 5-13, 6-13  
 Crnkst Sprckt, 5-13, 6-13

Crnkshaft Key, 5-13, 6-13  
 Cup, Bearing, Drive Flange, Pntd, 2-173  
 Cyl Block Assy (Short Block Assy), 5-3,  
 6-3  
 Cylinder, Hyd 1.5B 1.5S 2500, 2-167  
 Cylinder, Hyd, 1.5b 06.3l 01.50strk 2500,  
 3-23  
 Cylinder, Hyd, 2.0b 12.0l 08.00strk 2500,  
 2-29  
 Cylinder, Hyd, 2.0b 15.0l 08.00strk 1500,  
 2-139  
 Cylinder, Hyd, 2.0b 23.8l 14.90strk 2500,  
 2-25  
 Cylinder, Hyd, 2.0b, 15.0l, Rep. By 1028492  
 (See Breakdowns), 2-139  
 Cylinder, Hyd, 2.0b, 15.0l, Rep. By 1028492,  
 4-48  
 Cylinder, Hyd, 4.0b 29.1l 14.50strk 2500  
 (See Breakdowns), 2-25  
 Cylinder, Hyd, 4.0b 29.1l 14.50strk 2500,  
 4-49  
 Cylinder, Hyd, 2-175  
 Cylinder, Master Brake, 2-145  
 Cylinder, Wheel, Brake, 4-63, 4-65

**D**

Dampner, Engine, 2-13  
 Dipstick, 7-7  
 Disc, 2-35  
 Disconnect, Male, 4-51  
 Disk, 3-71  
 Distributor, 7-5  
 Door Cw, 4-53  
 Door Assembly, Cab, 4-53  
 Door Assy [800/810 08], 2-19  
 Door Wldt, Brush, Lh, 2-9  
 Door Wldt, Brush, Rh, 2-11  
 Door Wldt, Engine, 2-17  
 Door Wldt, Hopper, 2-29  
 Door Wldt, Rear, 2-21  
 Door, Bumper, Lpg, 2-7  
 Dowel Bushing En, 4-7, 4-17  
 Dowel Pin En, 4-21  
 Dowel Pin, 4-11  
 Dowel, Frnt Cover, 5-3, 6-3  
 Dowel, 5-3, 6-3  
 Drain Cock, .25npt, 2-121  
 Drain Cock, .25Npt Wh#120 Angl, 2-129,  
 2-131, 2-133  
 Draincock, End. Block, 5-3, 6-3  
 Drive Assy, 5-9, 6-9  
 Drive Cl, 4-27  
 Drive Gear Assembly, 4-23  
 Drive Pin, .31, 4-51  
 Drive, Motor, Hyd, 4-29, 4-35  
 Drive, Valve, 4-31, 4-33  
 Drive, 4-31, 4-33, 4-36, 4-37, 4-41  
 Driveplug, Brush - Mach., 2-173  
 Drum Assy, Brake 9/16, 2-141  
 Dryer, Ac, 4-57  
 Duck Bill, 4-59, 4-61  
 Duct Wldt, Rfs, 3-79

Duct, Afmkt, Vyl, 0.40 X 0.75 .25d, 04ft,  
 3-3, 3-5, 3-7, 3-9  
 Duct, Inlet, Vac Fan, 2-27  
 Duct, Rear, 2-129, 2-131, 2-133  
 Dust Control Kit, Side Brush, 3-73

**E**

Elbow, 90 deg, 5-15, 6-15  
 Element, Air Cleaner, 2-85, 2-87, 2-89,  
 2-93  
 Element, Filter Safety, 2-85, 2-87, 2-89,  
 2-93  
 Element, Filter, Air, 2-4  
 Element, Fltr, Air [Dn], 2-4, 2-91  
 Element, Fltr, Air, 2-4, 2-91, 2-95  
 Element, Fltr, Fuel Lpg [Coalescent, 2-73  
 Element, Fltr, Oil, Eng, Spin-on[Gm], 2-4  
 End Cap Cl, 4-27, 4-29  
 End Cap, 4-37  
 Engine [Ford, 2.5l Reman] (See 2.5L  
 Engine Brkdn), 2-39  
 Engine Assy, Gas, Clsd Loop [Gm, 3.0l]  
 (See GM Engine Breakdown), 2-45  
 Engine Assy, LPG, Clsd Loop [Gm, 3.0l]  
 (See GM Engine Breakdown), 2-45  
 Engine Purch Kit, Lrg 423 (See 2.3L  
 Engine Bkdn), 2-39  
 Engine, Block, Long [Gm3.0l] (See GM  
 Engine Breakdown), 2-47  
 Engine, Gm, 3.0 Liter, Gas (See GM  
 Engine Breakdown), 2-43  
 Engine, Gm, 3.0 Liter, Lpg (See GM  
 Engine Breakdown), 2-43  
 Engine, Partial (Includes block, pistons,  
 rods, crankshaft, bearings, rear seal  
 gasket), 7-7  
 Exh. Manifold, 5-15, 6-15  
 Extinguisher Kit Fire 800, 3-75  
 Extinguisher, Fire, 3-75  
 Extrusion, .062 Matl 10.10Lg, 2-39

**F**

Fan, Condenser, 4-57  
 Fan, Cooling, 18.0d, 8 Blade, 0.5b Taper,  
 2-133  
 Fan, Radiator, 2-129, 2-131  
 Fan, Repair Kit, Reassembly, 2-179  
 Fender Washer, 2-9, 2-11  
 Ferrule, 2-35  
 Filter Assy, (standard), 2-35  
 Filter Assy, Air, 3.0 Inlet [Dn#G070070],  
 2-91, 2-95  
 Filter Assy, Fine, Hopper (option), 2-35  
 Filter Assy, Spin-on, 2-4, 2-21  
 Filter Element, Oil, Cont. Gas-SE, 2-4  
 Filter Element, Oil, 5-3, 6-3  
 Filter Element, 2-21  
 Filter Kit, Lpg Lockoff, 2-77  
 Filter, Air, Pre-Cln, A/C, 2-91, 2-95  
 Filter, Fuel [Gm 1.6l/3.0l], 2-111

## CROSS REFERENCE

- Filter, Fuel, Lpg [Coalescent], 2-73  
Filter, Fuel, 2-4, 2-59, 2-105, 2-107  
Filter, Fuelock, [Ballwin#4-2384b], 2-115  
Filter, Fuelockoff, Lpg, 2-69  
Filter, Oil, 2-57  
Filter, Panel, Heat-A/C, 3-41, 3-47, 3-57, 3-61  
Filter, Pre-Cleaner, A/C, 2-85, 2-87, 2-89, 2-93  
Fitting - 45, 3-27  
Fitting Kit [Epr], 2-81  
Fitting, 90 Deg, 2-57  
Fitting, Brass Drain Cock, 2-59, 2-69, 2-71  
Fitting, Brass, Tee, 3-49, 3-63  
Fitting, Brs, Adapter, 2-77  
Fitting, Brs, E45, Pm06/Pf06, 2-71  
Fitting, Brs, E90, Em05/Pm02, 2-107  
Fitting, Brs, E90, Em10/Pm06, 2-87  
Fitting, Brs, E90, Em10/Pm08, 3-43, 3-49, 3-59, 3-63  
Fitting, Brs, E90, If05/Pm02, 2-107  
Fitting, Brs, E90, If05/Pm04, 4-71, 4-73  
Fitting, Brs, E90, Pm04/Pf04, 2-71  
Fitting, Brs, E90, Pm06/Em10, 2-71  
Fitting, Brs, E90, Em05/Pm04, 2-111  
Fitting, Brs, E90, If06/Pm04, 2-109  
Fitting, Brs, E90, Pm04/Pf04, 2-109  
Fitting, Brs, Rst, Pf04/.69-16f, .063, 2-73  
Fitting, Brs, Str, Bm05/Pm04, 2-107  
Fitting, Brs, Str, Em10/Pm08, 3-43, 3-49, 3-59, 3-63  
Fitting, Brs, Str, If05/If05, 2-107  
Fitting, Brs, Str, If05/Pm02, 2-107  
Fitting, Brs, Str, Pm06/Em10, 2-71  
Fitting, Brs, Str, Pm08/Pf06, 2-61, 2-73  
Fitting, Brs, Str, Bm05/Pm04, 2-111  
Fitting, Brs, Str, If05/If05, 2-109  
Fitting, Brs, Str, If06/If06, 2-109  
Fitting, Brs, Str, Pm02, Service, 2-91, 2-95  
Fitting, Brs, Str, Pm04/Bm05, 2-109  
Fitting, Brs, Str, Pm04/Bm06, T, 2-73  
Fitting, Brs, Str, Pm08/Pf04, 2-73  
Fitting, Brs, Tee, Pf08/Pf08/Pf08, 3-43, 3-49, 3-59, 3-63  
Fitting, Bshg, 2-65, 2-81  
Fitting, Cap, 2-77  
Fitting, Coolant Plug, 4-67, 4-69, 4-71, 4-73  
Fitting, Draincock, .25npt 90, 2-73  
Fitting, Draincock, .25npt, 2-123, 2-125, 2-127  
Fitting, Draincock, E90, .25npt, 2-127  
Fitting, E70, 2-77  
Fitting, E90, 2-65, 2-77, 2-81, 2-82  
Fitting, Elbow, 2-61, 2-73, 3-41, 3-47, 3-57, 3-61  
Fitting, Fuel Inlet, Lpg, 4-67, 4-69  
Fitting, Fuel, Str, 0.38-24 [07 Eng], 2-111  
Fitting, Fuel, Str, 0.56-18 [07 Eng], 2-111  
Fitting, Hose, 10hose/Pm06, 2-77  
Fitting, Hose, Vacuum, .25, 2-77  
Fitting, Hose, 2-61  
Fitting, Hyd, E45, Pm04/Pf04, 2-115  
Fitting, Hyd, E90, Jm08/Pm04, 2-73  
Fitting, Hyd, E90, Pm06/Pm06, 2-57  
Fitting, Hyd, E90, Swivel Pf04/Pm04, 2-115, 2-117, 2-119  
Fitting, Hyd, Plug, Jm06, 2-57  
Fitting, Hyd, Str, Jm04/Om04, 2-157  
Fitting, Hyd, Str, Jm05/Om06, 2-109  
Fitting, Hyd, Str, Jm06/Om04, 2-129, 2-131, 2-133  
Fitting, Hyd, Str, Jm06/Om06, 2-109  
Fitting, Hyd, Str, Pm04/Pf02, 2-71  
Fitting, Hyd, Str, Pm08/Pm08, 3-43, 3-49, 3-59, 3-63  
Fitting, Hyd, Tee, Jf06/Jm06/Jm06, Run, 3-23  
Fitting, Nipple, .25mal, 2-81  
Fitting, Nipple, .25npt, Brs, 2-77  
Fitting, Pipe, Plug, Pm02 Soc Head, 4-67, 4-69, 4-71, 4-73  
Fitting, Pipe, Plug, Pm04 Hex Soc, 2-73  
Fitting, Pipe, Str, Pm04/Pf02, 2-115, 2-117, 2-119  
Fitting, Pipe, Str, Pm04/Sf04, 2-119  
Fitting, Pipe, Tee, Pm06/Pf06/Pf06, 2-77  
Fitting, Plstc, Tee, Bm12/Bm12/Bm12, 3-49, 3-63  
Fitting, Plstc, Tee, Bm12/Pf08/Bm12, 2-73  
Fitting, Plug, Om02, Valve, 4-77  
Fitting, Plug, Om04, Valve, 4-77  
Fitting, Plug, Om05, Valve, 4-77  
Fitting, Plug, Om06, Valve, 4-77, 4-78  
Fitting, Plug, Pm08 Sq Head, 2-71  
Fitting, Plug, 2-57, 2-129, 2-131, 2-133  
Fitting, Special, Carb, 2-67  
Fitting, Str, E90, .25npt, 2-77  
Fitting, Str, 2-77  
Fitting-Bras Str, 2-105  
Fitting, 2-57, 2-61, 2-63, 2-73, 2-78  
Fitting, Plstc, Str, Bm06/M.69-16, 2-73  
Flange, Mounting, 4-27, 4-29, 4-36, 4-37  
Flange, Brg, 3 Hole, 2-171  
Flasher Heavy Duty, 3-17  
Flasher, 12v, 3-15  
Flat Washer, 3/8" Hard, 3-23  
Flywheel Ring Gear, 5-17  
Flywheel, 5-17, 6-17  
Foam, Door, 4-53  
Foam, Front Sill, 4-55  
Foam, Insulation, 3-19  
Foam, Lh Front Pos, 4-55  
Foam, Lh Rear Pos, 4-55  
Foam, Lh Side Sill, 4-55  
Foam, Rear Sill, 4-55  
Foam, Rh Front Pos, 4-55  
Foam, Rh Rear Pos, 4-55  
Foam, Rh Upper Sill, 4-55  
Follower, Piston, 4-3, 4-7, 4-13, 4-17  
Foot, Fan, 4-57  
Frame, Pane, Cab, Side, 4-51  
Frame, Pane, Door, Side, 4-53  
Frame&Mag.As, 5-9, 6-9  
Frame, 2-7  
Ftg, Breather, 2-37, 3-79  
Ftg, El90 Npt/02Pf-02Pm, 2-59  
Ftg, Grease.12 Npt 45 .88L, 2-177  
Ftg, Grease.25-28Th 90 .75L, 2-139  
Ftg, Shrader, 4-57  
Ftg, Brass Tee 04Pf- 04Pm- 04Pf, 2-69  
Ftg, Brass, St Bm03/Pm02, 2-69, 3-79  
Ftg, Brass, Tee 06lf- 02Pm- 06lf, 2-145  
Ftg, Bulkhead .25Npt Wh W21204, 2-113, 2-115, 2-117, 2-119  
Ftg, Bulkhead-Barb Wh 1074X4, 3-79  
Ftg, Bulkhead-Barb Wh 1074X4, 2-37  
Ftg-Bras E90 Bm05/Pm02, 2-67  
Ftg-Bras E90 Bm10/Pm06, 2-69  
Ftg-Bras If05/If05, 2-105  
Ftg-Bras Str Bm03/Pm02, 2-37  
Ftg-Bras Str If05/Pm02, 2-105  
Ftg-El90 Npt/Npt 04Pf/04Pm, 2-113, 2-115, 2-117, 2-119  
Ftg-Hyd E45 Jm04/Om04, 2-139, 2-175  
Ftg-Hyd E45 Jm08/Om08, 2-181  
Ftg-Hyd E45 Jm12/Jf12, 2-149  
Ftg-Hyd E45 Jm20/Jf20, 2-149  
Ftg-Hyd E45 Pm04/Pf04, 2-113, 2-115, 2-117, 2-119  
Ftg-Hyd E90 Jm04/Om04, 2-167  
Ftg-Hyd E90 Jm04/Jf04, 2-25, 2-29, 2-157, 2-159  
Ftg-Hyd E90 Jm04/Om04, 2-29, 2-159, 2-167, 2-175, 2-181, 3-23  
Ftg-Hyd E90 Jm04/Om06, 2-25, 2-161  
Ftg-Hyd E90 Jm06/Jf06, 2-161  
Ftg-Hyd E90 Jm06/Om06, 2-139  
Ftg-Hyd E90 Jm06/Om08, 2-25, 2-129, 2-131, 2-133  
Ftg-Hyd E90 JM08/JF08, 2-159  
Ftg-Hyd E90 Jm08/Jf08, 2-161, 3-27  
Ftg-Hyd E90 Jm08/Om08, 2-159, 3-27  
Ftg-Hyd E90 Jm08/Om10, 2-181  
Ftg-Hyd E90 Jm12/Om12, 2-149  
Ftg-Hyd E90 Jm12/om12, 2-21  
Ftg-Hyd E90 Jm12/Om16, 2-149  
Ftg-Hyd E90 Pm06/Jm10, 2-67  
Ftg-Hyd E90 Pm08/Jm10, 2-69, 2-71  
Ftg-Hyd E90 Special Jm12/Jf12, 2-157  
Ftg-Hyd E90, 2-157, 2-167  
Ftg-Hyd Plg Om06, 3-23  
Ftg-Hyd Plg Om12, 2-157  
Ftg-Hyd Rst JM04/.047, 2-161  
Ftg-Hyd Rst Jm04/.063, 2-25  
Ftg-Hyd Str Jm12/Om16, 2-149  
Ftg-Hyd Str Jm04/Om04, 2-159, 2-171  
Ftg-Hyd Str Jm04/Om06, 2-161  
Ftg-Hyd Str Jm04/Om08, 2-25  
Ftg-Hyd Str Jm06/Jf08, 3-27  
Ftg-Hyd Str Jm06/Om06, 2-159, 2-183, 3-23, 3-27  
Ftg-Hyd Str Jm06/Om08, 2-129, 2-131, 2-133, 2-161  
Ftg-Hyd Str Jm06/Om10, 2-149, 2-163  
Ftg-Hyd Str Jm06Om06L, 2-159  
Ftg-Hyd Str Jm08/Jm06, 2-163

Ftg-Hyd Str Jm08/Jm08, 2-181  
 Ftg-Hyd Str Jm08/Om08, 2-159, 2-161, 2-171  
 Ftg-Hyd Str Jm08/Om10, 2-149, 2-173, 2-181  
 Ftg-Hyd Str Jm08Om08L, 2-159  
 Ftg-Hyd Str Jm12/Om12, 2-21, 2-157  
 Ftg-Hyd Str Jm12/Om16, 2-139  
 Ftg-Hyd Str Jm12Om12L, 2-159  
 Ftg-Hyd Str Jm20/Om20, 2-149, 2-157  
 Ftg-Hyd Str Om08/Of06, 3-27  
 Ftg-Hyd Str Pm04/Jm06, 2-69  
 Ftg-Hyd Str Pm04/Pf02, 2-39, 2-69  
 Ftg-Hyd str, 2-167  
 Ftg-Hyd StrJm06/Om10, 3-27  
 Ftg-Hyd Tee Jm04Jfjm, 2-161  
 Ftg-Hyd Tee Jm04Jmjf, 2-161  
 Ftg-Hyd Tee Jm04Jmjm, 2-29  
 Ftg-Hyd Tee Jm04Jmom, 2-157  
 Ftg-Hyd Tee Jm04Omjm, 2-129, 2-131, 2-133  
 Ftg-Hyd Tee Jm06Jmjf, 2-157, 2-161  
 Ftg-Hyd Tee Jm06Jmom, 2-157  
 Ftg-Hyd Tee Jm06Omjm, 3-27  
 Ftg-Hyd Tee Jm08Jmjf, 2-159, 3-27  
 Ftg-Hyd Tee Jm08Omjm, 2-161  
 Ftg-Hyd Tee Jm12Jfjm, 2-149  
 Ftg-Hyd Tee Jm12Jmjf, 2-157  
 Ftg-Str Npt/Npt S04Pf-04Pm, 2-113, 2-115  
 Ftg-Tee Npt 04Pm- 04Pf- 04Pf, 2-113, 2-115, 2-117, 2-119  
 Fuel, Fltr [Gm 1.6/3.0], 2-109  
 Fuelline, .31d 05if/05jf Stl, 2-109  
 Fuelline, .31d Str/E90, Plstc, 2-109  
 Fuelline, .31d Str/Str, Plstc, 2-109  
 Fuelline, .312 Od, 2-105  
 Fuelline, .31d 05if/05f, 2-107  
 Fuelline, .31d 05if/05if, 2-107  
 Fuelline, .31d 05if/Bea, 2-107  
 Fuelline, .31d 05if/Qm Stl, 2-109  
 Fuelline, .31d E90, 05/06, Plstc, 2-111  
 Fuelline, .31d Str/Str, Plstc [8200], 2-111  
 Fuelline, .31d Str/Str,Plstc[M20/T20 07], 2-111  
 Fuelline, .375 Od, 2-69  
 Fuelline, .38d 06if/06if Stl, 2-109  
 Fuelline, .38d 06if/Bea Stl, 2-109  
 Fuelock Replacement Kit, 2-69  
 Fuse, 10 Amp, 2-221  
 Fuse, 15 Amp, [Min-15], 2-219, 2-221  
 Fuse, 20 Amp, [Min-20], 2-219, 2-221  
 Fuse, 5 Amp, [Min-5], 2-219, 2-221  
 Fuse, 60 Amp, 2-221

**G**

Gas Cap, Protectoseal, 3-74  
 Gasket Oil, 5-5, 5-11  
 Gasket Water Outlet Connection, 5-23, 6-23  
 Gasket, 2.7D 1.5B.12T 5/ 2.1Bc, 2-105

Gasket, Body, Throttle [1.6], 2-65, 2-77, 2-81  
 Gasket, Body, Throttle, Gas, 2-63  
 Gasket, Box/Cab, 4-59, 4-61  
 Gasket, Cab Pressurizer, 3-35  
 Gasket, Carb To Engine, 2-59, 2-67  
 Gasket, Carb, 2-63, 2-77  
 Gasket, Carburetor Air Horn, 2-59  
 Gasket, Cover, Alum, 3-79  
 Gasket, Exh. Flange, 5-15, 6-15  
 Gasket, Exhaust, 2 Hole, 3.4bc, 2-101  
 Gasket, Exhaust, 2hole, 3.4bc, 2-103  
 Gasket, Fire Switch, 2-181  
 Gasket, Flng, Exhaust, 2-103  
 Gasket, Head, 5-5, 5-6, 6-5, 6-6  
 Gasket, Hyd Cap, 2-157  
 Gasket, Hyd Tank Breather, 2-157  
 Gasket, Lpg, Adapter [Gm 2007], 2-81  
 Gasket, Lpg, Mixer [Gm 2007], 2-81  
 Gasket, Manifold, Intake, 2-65, 2-81  
 Gasket, Push On, 4-51  
 Gasket, Send-Unit, 2-107  
 Gasket, Sender, Fuel, 2-109, 2-111  
 Gasket, Oil Pan, 5-5, 5-11, 6-5, 6-11  
 Gasket, Rocker Cover, 5-21, 6-21  
 Gasket, 2-61, 2-63, 2-73, 2-77, 2-78, 2-99, 2-101, 7-3, 7-5, 7-9, 7-11, 7-12  
 Gauge, Sight Lh, 2-157  
 Gauge, Sight, A/C, 3-41, 3-47  
 Gear Assy, Idler, 4-25  
 Gear Assy, 5-9, 6-9  
 Gear, [Slip Fit], 4-25  
 Gear, Drive, 4-25  
 Gear, Idler, 4-23, 4-25  
 Gear, Ring [Fd], 6-17  
 Gear, Slip Fit, 4-23  
 Gear, 4-23, 4-25, 7-5, 7-11, 7-12  
 Geroler Set, Motor, Hyd, 4-35  
 Geroter, Ring In En, 4-5, 4-9, 4-15, 4-19  
 Geroter, Ring Ot En, 4-5, 4-9, 4-15, 4-19  
 Gerotor Set Cl, 4-41  
 Gerotor Set, 4-27, 4-29, 4-31, 4-33, 4-36, 4-37  
 Governor and Control Unit Assy, Gas, 2-59  
 Governor and Control Unit Assy, Lpg 2.3, 2-67  
 Governor Assy, Gas, 2-59  
 Governor Assy, Lpg, 2-67  
 Grip, Handle, Flat, 3-71  
 Grommet Rbr 0.25ld For .09Matl, 3-17, 3-33  
 Grommet, Cab, Harness, Wire, 3-41, 3-47, 3-57, 3-61  
 Grommet, Flexible .25, 2-7  
 Grommet, Rbr, 0.38 ld For .12mat, 3-11, 3-13  
 Grommet, Rbr, 0.56 ld For .13mat, 3-11, 3-13  
 Grommet, Rbr, 3.25id, F/3.5h, .06 Matl, 2-91, 2-95

Grommet, Rbr, 3.75ld F/ 4.0H ., 2-85, 2-87, 2-89, 2-93  
 Grommet,Rbr,0.25ld,For .09Matl, 2-185  
 Grommet,Rbr,0.38ld,For .06Matl, 3-3, 3-5, 3-7, 3-9  
 Grommet,Rbr,0.50ld,For .25Matl, 2-7  
 Grommet,Rbr,0.62ld,For .06Matl, 2-37, 3-79  
 Grommet,Rbr,0.63ld,For .06Matl, 3-3, 3-7  
 Grommet,Rbr,0.75ld,For .13Matl, 3-17  
 Grommet, 2-43, 2-63, 2-65, 2-77, 2-81, 3-11, 3-13, 3-15, 4-51  
 Gskt Kit, Lower, 5-5, 6-5  
 Gskt Kit, Upper, 5-5, 6-5  
 Gskt, Exh. Mnfld, 5-15, 6-15  
 Gskt, Frnt Cvr, 5-5, 6-5  
 Gskt, Front Cvr, 5-7, 6-7  
 Gskt, In. Mnfld, 5-5, 6-5  
 Gskt, Int. Mnfld, 5-15, 6-15  
 Gskt, Oilpmp/Blk, 5-11, 6-11  
 Gskt, Pmp/Putube, 5-5, 6-5  
 Gskt, Pu Tube, 5-11, 6-11  
 Gskt, Rockr Cvr, 5-5, 6-5  
 Gskt, Water Pump, 5-5, 5-23, 6-5, 6-23  
 Gskt-Waterout, 5-5, 6-5  
 Guard Kit, Overhead, 3-19  
 Guard Wldt, Hopper, 2-33  
 Guard Wldt, Lights, Revl & Fish, 3-3, 3-5, 3-7, 3-9  
 Guard Wldt, Overhead, 3-19  
 Guard Wldt, Side Brush, 2-163  
 Guard Wldt, Sidebrush, 3-27  
 Guard, Alternator, 3-65  
 Guard, Belt, A/C, 3-51  
 Guard, Belt, Alternator, 2-51, 2-53  
 Guard, Mirror, 3-37  
 Guard, Side Brush, 2-163, 3-27  
 Guard, 2-39  
 Guide, 2-35

**H**

Handle, Center, 2-161  
 Handle, Container, 2-31  
 Handle, Lh, 2-161  
 Handle, Lift, Brush, 2-183  
 Handle, Rh, 2-161  
 Handle, Valve, Cntrl, 2-127  
 Handle, 3-71  
 Harness, Rfs Jumper, 3-79  
 Harness, Adapter, Eng, Gas/Lpg [Gm3.0], 2-231  
 Harness, Adaptor [800/8410], 2-229  
 Harness, Alarm, Back-up, 3-15  
 Harness, Alarm, Backup, 3-11, 3-13  
 Harness, Cab (See Fig. 32), 4-51  
 Harness, Cab, 800/810, 4-56  
 Harness, Directional, 3-17  
 Harness, Eng [3.0], Gm, E-cntrl], 2-219  
 Harness, Eng, Gas [3.0 2007], 2-221  
 Harness, Eng, Lpg [3.0 2007], 2-221  
 Harness, Eng, 2-111  
 Harness, Gm 3.0 L Engine Harness, 2-216

## CROSS REFERENCE

- Harness, Hopper 800/810, 2-206  
Harness, Hopper, Rfs, 3-79  
Harness, Injector, Gas[3.0l Gm,E-Cntrl], 2-220  
Harness, Lpg Injector [3.0l, Gm,E-Cont], 2-220  
Harness, Main, Gas/LPG, Lrg, 2-205, 2-211, 2-216  
Harness, Motor, Duct, 3-79  
Harness, Neutral, Start, 3-82  
Harness, Side Brush, L.H., 3-30  
Harness, Switch, Oil Press, Ground Wire, 2-45, 2-48  
Harness, Turn/Rotate/Tail Lights, 2-207  
Harness, Wire, Eng, 6-24  
Harness,Rev/Fish Light,Cab,Ohg, 3-3, 3-5, 3-7, 3-9  
Head-W/O Valves, 5-6, 6-6  
Head, 7-3  
Headlight, 12V.Rect., 2-31  
Headliner, Front, 4-55  
Headliner, Rear Cw, 4-55  
Heater & A/C, W/ Fan, Roof, 3-41, 3-47, 3-57, 3-61  
Heater Coil, 4-59, 4-61  
Hinge, W/Pin, 2-17, 2-19  
Hinge, 2-15, 2-17, 2-19, 2-31  
Hook, Cable, .44d Ball, 2-163, 3-27  
Hook, Lift [Gm3.0l 2007], 2-47, 2-48  
Hook, S-.120 X 1.31, Zinc Pl., 2-7  
Hopper Floor Kit, St Stil 810, 3-20  
Hopper Wldt, 2-27  
Horn, 12 Volt, 2-15  
Horn, Back-up Alarm, 3-15  
Hose Assy, Drain, A/C, 3-41, 3-47, 3-81  
Hose Lpg, 10Lpg 28In.Lg, 2-69, 2-71  
Hose, .50, 2-57  
Hose, .62 Id X 38. Lng Heater, 2-59  
Hose, .62ld X 20.0 Lng Heater, 2-69, 2-71  
Hose, [Pcv], 2-43  
Hose, 0050, 04, Im05str /lf05str , 10.0, 2-107, 2-109  
Hose, 9.5mm X 450mm [Pcv], 2-63, 2-77  
Hose, A/C, 06 09.0l, 3-41, 3-47  
Hose, A/C, 08 100.0l [R134], 3-43  
Hose, A/C, 08, Str/E90, 112.0l [R134], 3-49  
Hose, A/C, 12 107.0l [R134], 3-43  
Hose, A/C, 12 115.0l [R134], 3-43  
Hose, A/C, 12, Str/E90, 127.0l [R134], 3-49  
Hose, Afrmkt, Rbr, Heater, 0.62id, 02ft, 3-63  
Hose, Afrmkt, Rbr, Heater, 0.62id, 03ft, 3-63  
Hose, Afrmkt, Rbr, Heater, 0.62id, 08ft, 3-63  
Hose, Balancing, Press, 45mm, 2-77  
Hose, Balancing, Press, 680mm, 2-77  
Hose, Conv, 2-73  
Hose, Coolant, 1.50id To 1.75id, Mold, 2-125, 2-127  
Hose, Drain, Eng Oil, 2-57  
Hose, Drain, Overflow, Radiator, 2-131, 2-133  
Hose, Fan Inlet, 2-179  
Hose, Fuel, 0.31id [Evap Emission 07], 2-111  
Hose, Fuel, .38d, Rbr, 2-65, 2-81  
Hose, Fuel, 0.31id 11.0l, 2-107  
Hose, Fuel, 0.31id 14.0l, 2-107  
Hose, Fuel, 0.31id 16.0l, 2-109  
Hose, Fuel, 0.50id 52.0l, 2-61, 2-63  
Hose, Fuel, 165mm, 2-77  
Hose, Fuel, Jf06e90, 20.3l, 2-109  
Hose, Fuelline, 10.0L, 2-105  
Hose, Heater .62 Id X 15.0Lg, 2-59  
Hose, Heater, 0.38id x 18.0 L, 2-61  
Hose, Heater, 0.38id x 21.0id, 2-73  
Hose, Heater, 0.38id, 2-61  
Hose, Heater, 0.62id 13.0l, 2-87, 3-43, 3-59  
Hose, Heater, 0.62id 18.0l, 2-89  
Hose, Heater, 0.62id 20.0l, 3-43, 3-59  
Hose, Heater, 0.62id 24.0l, 2-93, 3-43, 3-49, 3-59  
Hose, Heater, 0.62id 31.0l, 3-43, 3-49, 3-59  
Hose, Heater, 0.62id 77.0l, 3-43, 3-49, 3-59  
Hose, Heater, 0.62id 80.0l, 3-43, 3-49, 3-59  
Hose, Heater, 0.62id, 024.0l, 2-91, 2-95  
Hose, Heater, 0.75id 04.0l, 3-49, 3-63  
Hose, Heater, Str, 0.62id 15.0, 2-71  
Hose, Hyd,Low06, Jf06str /Jf06str , 26.0, 2-57  
Hose, Intake, Mold, 2.00id [Epdm], 2-95  
Hose, Intake, Mold, 3.00id 2.00id [Epdm], 2-95  
Hose, Intake, Mold, Rwk 380592, 2-91  
Hose, Lpg, 4Lpg X 35.0Lg, 2-113, 2-115, 2-117  
Hose, Lpg, 4Lpg X 40.0Lg, 2-113  
Hose, Lpg, Med05, Pm04str/Sm04str, 055.0, 2-117  
Hose, Lpg, Med05, Pm04str/Sm04str, 067.0, 2-119  
Hose, Lpg, Med05, Pm04str/Sm04str, 31.0l, 2-115  
Hose, Lpg, Med05, Pm04str/Sm04str, 46.0l, 2-117, 2-119  
Hose, Lpg, Med05, Pm04str/Sm04str, 67.0l, 2-115  
Hose, Lpg, Med08, Jf08str/Jf08str , 35.0, 2-73  
Hose, Lpg, Med08, Jf08str/Jf08str , 37.5, 2-73  
Hose, Mold [Epr To Mixer], 2-82  
Hose, Mold, .62 To .75, 2-77, 2-81  
Hose, Mold, .62 X 37.0, 2-77  
Hose, Molded, 2-85, 2-87, 2-89, 2-93  
Hose, Pvc, Clr, 0.38id 0.56od 13.00l, 2-73  
Hose, Pvc, Clr, 0.38id 0.56od 048.0l, 2-127  
Hose, Radiator, Lower, 2-121  
Hose, Radiator, Upper, 2-121  
Hose, Rbr 1.50id 1.88od 12.0 L, 2-121  
Hose, Rbr, 1.50id 1.88od 06.0l, 2-123, 2-125  
Hose, Rbr, 1.50id 1.88od 12.0l, 2-123, 2-125, 2-127  
Hose, Rbr, 1.50id 1.88od 04.0l, 2-127  
Hose, Rbr, 1.50id 1.88od 6.0 L, 2-121  
Hose, Rbr, 2.00id 2.50od 03.0l, 2-89, 2-93  
Hose, Rbr, E120 1.50id 1.20id 05.0 05.2, 2-125  
Hose, Rbr, E120 1.50id 1.20id 06.4 2.7, 2-123  
Hose, Rbr, E90 1.50id 1.50id 09.4 6.3, 2-123  
Hose, Rbr, E90 1.50id 1.62id 0.40 04.0, 2-125  
Hose, Rbr, E90, 1.50id 1.50id 06.3 04.5, 2-127  
Hose, Rbr, E90, 2.00id 2.00id 03.5 03.5, 2-91  
Hose, Rubber.38ldx.62Od 21.0Lg, 2-59, 2-67  
Hose, Rubber, 2-59, 2-67  
Hose, Sleeve, Fire, 2-175  
Hose, Supply, Gas, .25id, 2-81  
Hose, Vac, Rubber, 2-37  
Hose, Vacuum, .16 Id X 76.0 Lg, 3-79  
Hose, Vacuum,.16ld X 15.0 Lg, 2-39  
Hose, Vacuum,.16ld X 21.0Lg, 2-69  
Hose, Valve, Fuel Trim, 325mm, 2-77  
Hose, Valve, Press Trim, 405mm, 2-77  
Hose,Heater .62ldx15.0Lg, 2-69, 2-71  
Hose,Heater .62ldx53.0Lg, 2-59, 2-69, 2-71  
Hose&2Cuff Assy,Vinyl2.0ld10Ft, 3-71  
Hose&cuff Assy, Vinyl4.0ldx50, 2-179  
Hose-Hyd Ar 04, 2-153, 2-155  
Hose-Hyd Ar04, 2-153, 2-155  
Hose-Hyd Low 04, 2-153, 2-155  
Hose-Hyd Low04 Jf/J9, 2-153, 2-155  
Hose-Hyd Low06, 2-153, 2-155  
Hose-Hyd Low12 Jf/Jf, 2-153, 2-155  
Hose-Hyd Low12 Jf/jf, 2-153, 2-155  
Hose-Hyd Low12, 2-153, 2-155  
Hose-Hyd Med 04, 3-31  
Hose-Hyd Med 06, 3-31  
Hose-Hyd Med04 Jf/J4, 2-153, 2-155  
Hose-Hyd Med04 Jf/J9, 2-153, 2-155  
Hose-Hyd Med04 Jf/Jf, 2-153, 2-155  
Hose-Hyd Med04, 2-153, 2-155  
Hose-Hyd Med06 Jf/J9, 2-153, 2-155  
Hose-Hyd Med06 Jf/Jf, 2-153, 2-155  
Hose-Hyd Med06, 2-153, 2-155  
Hose-Hyd Med08 Jf/J4, 2-153, 2-155  
Hose-Hyd Med08 Jf/J9, 2-153, 2-155  
Hose-Hyd Med08, 2-153, 2-155  
Hose-Hyd Med12, 2-153, 2-155  
Hose-Hyd Med78 Jf/J9, 2-153, 2-155  
Hose-Hyd Suc20 Spcl 22.5, 2-153, 2-155  
Hose-Hyd, 2-153, 2-155

Hose, 2-61, 5-3, 6-3  
 House, Wheel, 2-139  
 Housing Assembly, 4-59, 4-61  
 Housing Assy, Throttle, Gas, [With Ecu]  
 (See Breakdowns), 2-61  
 Housing Assy, Throttle, Gas, [With Ecu],  
 4-71  
 Housing Assy, Throttle, Gas, [Without Ecu]  
 (See Breakdowns), 2-61  
 Housing Assy, Throttle, Gas, [Without  
 Ecu], 4-73  
 Housing Assy, Throttle, Gas, 2-63  
 Housing Assy, Throttle, Lpg [Gm 3.0],  
 2-77  
 Housing Assy, Throttle, Lpg, [With Ecu]  
 (See Breakdowns), 2-73  
 Housing Assy, Throttle, Lpg, [With Ecu],  
 4-67  
 Housing Assy, Throttle, Lpg, [Without Ecu]  
 (See Breakdowns), 2-73  
 Housing Assy, Throttle, Lpg, [Without Ecu],  
 4-69  
 Housing Assy, 4-31, 4-33  
 Housing Cl, 4-27, 4-29  
 Housing En, 4-3, 4-7, 4-13, 4-17  
 Housing S/A En, 4-3, 4-7, 4-13, 4-17  
 Housing Wldt, Vac Fan, Front, 2-179  
 Housing Wldt, Vac Fan, Rear, 2-179  
 Housing, Bearing, Motor, Hyd, 4-35  
 Housing, Brg, 4-31, 4-33  
 Housing, Condenser, 4-57  
 Housing, Flywheel, 2.5 Lrg, 2-41  
 Housing, Flywheel, Machined 2.3 Lrg,  
 2-41  
 Housing, Sppt, Wheel (Repl. by 375534),  
 2-139  
 Housing, Throttle, 40mm [Bosch], 2-63,  
 2-65, 2-77, 2-81  
 Housing, Throttle, Gas, 4-71, 4-73  
 Housing, Throttle, Lpg, 4-67, 4-69  
 Housing, Valve, 4-35  
 Housing, Control En, 4-21  
 Housing, Control, 4-11  
 Housing, 2-43, 2-45, 2-47, 4-25, 4-37,  
 7-3, 7-5, 7-11  
 Hsg W/Brg, 5-9, 6-9  
 Hub and Stud Assy., 2-139  
 Hub Assy, 2-143  
 Hub, Drive, Brush, Side, 1.00b 8.8bc, 2-5

**I**

Ignition Coil, 5-24, 6-24  
 Ignition Module Kit, 6-24  
 Impeller 9.5 Dia. 18 Blade Mac, 2-179  
 Indicator Service Air Filter, 2-85, 2-87,  
 2-89, 2-93  
 Indicator, Service, Fltr, Air [20h20 Dn],  
 2-91, 2-95  
 Indicator, Oil, 5-3, 6-3  
 Injector, Fuel, Lpg [3.0l Gm] 8410, 4-67,  
 4-69

Injector, Gas, W/ Top And Bottom Org,  
 4-71, 4-73  
 Inner Cover, 5-7, 6-7  
 Insert, Wheel, Steering, 2-183  
 Insert-Oilfilt, 5-3, 6-3  
 Instr. Valve Repair Info, 4-45  
 Instr, Kit, Repair, Pump, Hyd, 4-25  
 Insulation, Acoustic, Fan, 2-179  
 Insulation, Acoustic, Vac Fan, 2-181  
 Insulation, Acstc, 1.0 09.9w 25.0l, 2-13  
 Insulation, Acstc, Front, Lower, 3-35  
 Insulation, Acstc, Side, Lower, .8t, 3-35  
 Insulation, S/Foam .5T 17.0X, 2-15  
 Insulation, S/Foam 1.0 Seal Brake Pedal,  
 2-145  
 Insulation, S/Foam 1.0X3.0X3.0, 2-7  
 Insulation, S/Foam 1.5X4.0X4.0, 2-7  
 Insulation, S/Foam, .8T 16.5X5, 2-15  
 Insulation, S/Foam, .8T 17.0X15, 2-15  
 Insulation, S/Foam, .8T 18.0X4.5, 2-15  
 Insulation, S/Foam, .8T 23.0X4X3, 2-15  
 Insulation, S/Foam, Seat, 2-13  
 Insulation, S/Foam, 2-7  
 Insulation, Sound Foam, 2-145  
 Insulation, S/Foam .8X19.3X20.3, 2-15  
 Insulation, 2-13  
 Int.Manifold, 5-15, 6-15  
 Isolator [Epr], 2-81  
 Isolator Kit, Mtg, Vaporizer, Rbr, 2-77  
 Isolator, Box, Relay, 2-65, 2-77, 2-81  
 Isolator, Mounting, 2-41  
 Isolator, Mtg, 2-41, 2-43, 2-45, 2-47  
 Isolator, Rbr, 2-103  
 Isolator, Rubber, 2-101  
 Isolator, Vac Fan, 2-159  
 Isolator, Vib, Flng, 1.3l .5b 2/.39h, 2-43,  
 2-45, 2-47  
 Isolator, Vib, Flng, 2.0l .5b 2/.41h, 2-43,  
 2-45, 2-47  
 Isolator, Vib, Ring, 1.0d .25-20/.25-20,  
 2-101, 2-103  
 Isolator, Vibration, 2-181  
 Isolator-Vibration .25-20, 2-97, 2-99  
 Isolator-Vibration .31-18, 2-21, 2-129,  
 2-131, 2-133  
 Isolator-Vibration, 60 Lb. Ratng, 2-181

**K**

Keeper, Latch, Pane, 4-51, 4-53  
 Key En, 4-5, 4-9, 4-15, 4-19  
 Key Set, Switch Ku, 2-185  
 Key Set, 4-53  
 Key Square 0.18 0.18 01.00 Lg, 2-173  
 Key, Motor, Hyd, 4-35  
 Key, Round, 4-23  
 Key, Sq, 0.12 X 0.12, 0.50l, 2-129, 2-131,  
 2-133  
 Key, Square 0.12 0.12 00.50 LG, 4-39  
 Key, Woodruff, 4-36  
 Key, 4-25, 4-31, 4-33, 4-38, 7-3, 7-11,  
 7-12  
 Kit, Adaptor, Manifold, 2-61, 2-74

Kit, Alarm, Backup, 3-15  
 Kit, Alternator, Hd, Gas/Lpg, 3-65  
 Kit, Ci, Alternator, Hd, Gas/Lpg, [Gm3.0],  
 3-67  
 Kit, Ci, Drain Hose, A/C, 3-81  
 Kit, Connector, Coolant Sensor, 4-67,  
 4-69, 4-71, 4-73  
 Kit, Connector, Gas Injector, 4-71, 4-73  
 Kit, Connector, Govnr, 4-67, 4-69, 4-71,  
 4-73  
 Kit, Connector, Sensor, [lat], 4-67, 4-69,  
 4-71, 4-73  
 Kit, Connector, Sensor, [Map], 4-67, 4-69  
 Kit, Gasket, Manifold, 2-61, 2-74  
 Kit, Light, Flsh, Low, 3-11  
 Kit, Light, Revl, Low, 3-13  
 Kit, Org, Injector And Reg, Gas, 4-71,  
 4-73  
 Kit, Org, Injector, Top And Bottom, Lpg,  
 4-67, 4-69  
 Kit, Reg, Gas Press, 4-71, 4-73  
 Kit, Repair, Fuelock, Mv 310-6, 2-115  
 Kit, Repair, Vaporizer, F/383170, 2-71  
 Kit, Replmt, Control, Govnr, [All Purps],  
 2-59, 2-67  
 Kit, Replmt, Controller, 4-67  
 Kit, Replmt, Seal, Vacfan, [800l], 2-179  
 Kit, Seal, Hyd, Motor, 4-35  
 Kit, Seal, Hyd, Pump, 4-23  
 Kit, Seal, Motor, Hyd, 4-35  
 Kit, Seal, Pump, 4-25  
 Kit, Signal, Turn, 3-17  
 Kit-Attaching, 5-9, 6-9  
 Knob, Plastic, 2-167, 2-177  
 Knob, Rnd, Control, Heat-A/C, 3-41,  
 3-47, 3-57, 3-61  
 Knob, 0.38-16, 1.25Dia, Plastic, 3-71  
 Knob, 2-161

**L**

Label Set, Info & Hazard, 2-232  
 Label Set, Operational 800, 2-232  
 Label, Caution, 3-41, 3-47  
 Label, Instr, Filter Drain, 2-73  
 Label, Logo, 10.4l, Oval [Tennant, Blu/Grn],  
 2-232  
 Label, Numerals 810, 2-232  
 Label, Opertnl, Fan, Hi/Med/Low, 3-41,  
 3-47, 3-57, 3-61  
 Label, Opertnl, Pull Heat, 3-41, 3-47,  
 3-57, 3-61  
 Label, Opertnl, Temp, 3-41, 3-47  
 Label, Vac Wand, 3-71  
 Label, Wiper, 4-51  
 Lamp, 12VDC 55w, 3-15, 3-33  
 Lamp, 4-51  
 Lanyard Assy., 2-21  
 Latch Assy, Lpg Tank Mtg, W/Nut, 2-113,  
 2-115, 2-117, 2-119  
 Latch Assy, Rbr, 1.6d 1.4l/1.0d 1.0l, 3-35  
 Latch, Bolt, 2-15, 2-17, 2-19  
 Latch, Bumper, 2-33

## CROSS REFERENCE

Latch, Door, 3-77  
Latch, Hook (Supplier's Lh), 2-11  
Latch, Hook (Supplier's Rh), 2-9  
Latch, Hook Rh, 2-17, 2-19  
Latch, Hook, Rh, Single Catch, 2-31  
Latch, Hook, Rh, 2-15  
Latch, Keeper, Pane [J-dak], 4-51, 4-53  
Latch, Pane, Cab, 4-51, 4-53  
Latch, Rear Wind, 4-51  
Latch, Tension, 4-59, 4-61  
Latch, 2-21, 2-171  
Leg Wldt, Bumper, Se, 3-21  
Lens, Flashing Amb 12V, 3-11  
Lens, Flashing Blue, 3-11  
Lens, Flashing Red, 3-11  
Lens, Rev. Light, Amber, 3-13  
Lens, Rev. Light, Blue, 3-13  
Lens, Rev. Light, Red, 3-13  
Lens, Flashing Lite Fr207 Amber, 3-3, 3-5  
Lens, Flashing Lite Fr207 Blue, 3-3, 3-5  
Lens, Flashing Lite Fr207 Red, 3-3, 3-5  
Lens, Rev. Light, Amber, 3-7, 3-9  
Lens, Rev. Light, Blue, 3-7, 3-9  
Lens, Rev. Light, Red, 3-7, 3-9  
Lever, Brake, 2-145  
Lever, Pump, Propel, 2-147  
Lever, 5-9, 6-9  
Lifter, 7-3  
Lifting Eye, 5-15, 6-15  
Light Assy Mark/Yel 12V- . A, 3-17  
Light Assy Stop/Red 12V- . A, 2-7  
Light Kit Flsh 800L Cab, 3-5  
Light Kit Flsh 800L Ohg, 3-3  
Light Kit Revl 800L Cab, 3-9  
Light Kit Revl 800L Ohg, 3-7  
Light Kit, Side Brush, 3-33  
Light, Check Eng, Amb, 14vdc, 2-185  
Light, Dome 12V, 4-51  
Light, Flashing Amb 12v-re, 3-11  
Light, Flashing, Amber, 12V-Re, 3-3, 3-5  
Light, Indicator 14V Red 1.2x0.7, 2-185  
Light, Rev. Amber 12v-re, 3-13  
Light, Spot 12V, 32cp, 3-15  
Light, Spot, 12VDC 55w, 3-33  
Light, Rev. Amber 12V-Reworked, 3-7, 3-9  
Link, 0.18, 1.5w 03.6l, 1/0.4h 1/0.3h, 2-103  
Link, Connecting, 4-53  
Link, Eccentric, 2-35  
Link, Feedback En, 4-21  
Link, Feedback, 4-11  
Link, Tension 2.4L, 3-45  
Linkage Kit, Governor, 2-59, 2-67  
Lintel, Main, 2-15  
Lintel, Rear, 2-15  
Lip, Side, Hopper, 2-27  
Locknut, 5-23, 6-23  
Lockwasher En, 4-3, 4-7, 4-13, 4-17  
Louver, Adj, Heat-A/C, 3-41, 3-47, 3-57, 3-61  
Lower Cover, 5-7, 6-7

## M

M6 U-Nut Clip, 2-15  
Magnet, Drive Brush, 2-31  
Maintenance Kit, 400HR 800/810 gas, 2-4  
Maintenance Kit, 400HR 800/810 lpg, 2-4  
Maintenance Kit, 800HR 800/810, 2-4  
Maintenance Kit, Skirts 810, 2-4  
Maintenance Kit, Skirts, 2-4  
Manifold, Exhaust [Gm3.0], 2-81  
Manifold, Exhaust [Gm3.0l], 2-65  
Manifold, Exhaust, 2-61, 2-63, 2-73, 2-78  
Manifold, Gas, Relief, Valve, 2-111  
Manifold, Intake [2007], 2-65, 2-81  
Manifold, Intake, 2-61, 2-63, 2-73, 2-78  
Manual Op/Mt 810G French, 3-84  
Manual Control En, 4-21  
Manual Op/Mt 810G Spanish, 3-84  
Manual Pkg 810G, 3-84  
Manual, Eng, Cd-Rom [Tier li, Gm3.0l], 3-84  
Manual, Service 800/810, 3-84  
Manual, Service FD (Lrg) 2.3L, 3-84  
Manual, Service FD (Lrg) 2.5L, 3-84  
Manual, Service, Eng, [Gm 3.0L], 3-84  
Mirror Assembly, 3-37  
Mirror Kit, Side Brush, 3-37  
Mirror, Convex, 0.50d, 3-37  
Mirror, 8.0 Round, Convex, 3-37  
Module Kit, Ignition, Replmt [Ford 2.3l], 5-24  
Module, Ecu, Gas [Gm 3.0l], 2-63  
Module, Ecu, Gas [Gm3.0l 2007], 2-65  
Module, Ecu, Lpg [Gm 3.0l], 2-77  
Module, Ecu, Lpg [Gm3.0l 2007], 2-81  
Module, 7-5  
Molding, Trim (Gasoline only), 4-51  
Molding, Trim 11-14Ga 4.0, 2-145  
Molding, Trim 11-14Ga 15.75, 2-13  
Molding, Trim 11-14Ga 5.75, 2-13  
Molding, Trim 16Ga&Thinr 10.0, 2-13  
Molding, Trim, Pvc, .08-.11 01.0l, 2-7  
Molding, Trim, Pvc, .08-.11 08.5l, 2-13  
Molding, Trim, Pvc, .18-.31 01.5l, 4-55  
Motor, Ele, Geared, 12Vdc, 3-79  
Motor, Electric, 13.6 Vdc, 2-35  
Motor, Hyd Gear (See Breakdowns), 2-173  
Motor, Hyd Gear IN 03.6 B 1500, 4-27  
Motor, Hyd Gear In 17.9 B 1500 (See Breakdowns), 3-27  
Motor, Hyd Gear, 4-29  
Motor, Hyd, (See Breakdowns), 2-163  
Motor, Hyd, Gear, [In] 29.9 B 3000, 4-35  
Motor, Hydraulic, 4-36, 4-37, 4-38, 4-39  
Motor, Propelling, 4-31, 4-33  
Motor, Starting, Perm Mag, 12V, 5-9, 6-9  
Motor, Wiper 12V, 4-51  
Motor-Hyd Gear (See Breakdowns), 2-139  
Motor-Hyd Gear Ex (See Breakdowns), 2-181  
Motor-Hyd Gear In (See Breakdowns), 2-139, 2-171  
Motor-Hyd, Gear In 10.0 (See Breakdowns), 2-129, 2-131, 2-133

Mount, Cable Tie, 3-41, 3-47, 3-81  
Mount, Filter, Remote, 2-57  
Mount, Tie, 3-15  
Muffler, Catalytic [Gm 1.6/3.0], 2-101  
Muffler, Catalytic [Gm 3.0l 2007], 2-103  
Muffler, Exhaust, 2-97, 2-99, 3-83

## N

Nozzle, 7-11  
Nut En, 4-3, 4-7, 4-13, 4-17  
Nut Low Crown .62-18, 2-167  
Nut M8-1.25, 5-15, 6-15  
Nut, Adjustable, Lpg Tank Mtg, 2-113, 2-115, 2-117, 2-119  
Nut, Cart., LNG CP, 4-47  
Nut, Cart., LNG., 4-42  
Nut, Cart., SHT CP, 4-47  
Nut, Cart., Sht, 4-43  
Nut, Conn Rod, 7-7  
Nut, Conrod-8, 5-22, 6-22  
Nut, Flanged, .38-24, 2-51  
Nut, Flng, M8, 2-81  
Nut, Hex Lock m06, 2-31  
Nut, Hex Lock m10, 2-167, 3-23  
Nut, Hex, Flange, 2-167, 3-23  
Nut, Hex, Flng, .38-16, 2-65, 2-81  
Nut, Hex, Flng, M05 X 0.8, 2-71  
Nut, Hex, Flng, M08 X 1.25, 2-43, 2-45, 2-47  
Nut, Hex, Flng, M10 X 1.5, 2-163, 2-168, 2-171, 3-23, 3-28, 3-51, 3-67  
Nut, Hex, Flng, M10 X 1.50, 2-9, 2-11  
Nut, Hex, Flng, M12 X 1.75, 2-137, 2-171  
Nut, Hex, Flng, M6 X 1.0, 2-129, 2-131, 2-133, 2-147, 2-159  
Nut, Hex, Flng, M6 X 1.00, 2-19, 2-117, 2-119, 2-164, 3-27  
Nut, Hex, Flng, M8 X 1.25, 2-27, 2-53, 2-55, 2-91, 2-95, 2-117, 2-119, 2-135  
Nut, Hex, Jam, .25-28, 2-147  
Nut, Hex, Lock, .25-20, NI, Ss, 2-147  
Nut, Hex, Lock, .25-20, NI, 2-57, 2-111  
Nut, Hex, Lock, .31-24, NI, 3-33  
Nut, Hex, Lock, .38-16, NI, Ss, 3-51  
Nut, Hex, Lock, .38-16, NI, 2-43, 2-45, 2-47, 2-53, 2-55, 2-117, 2-119, 2-129, 2-131, 2-133, 2-171, 2-181, 3-51, 3-55, 3-67, 3-69  
Nut, Hex, Lock, .50-13, NI, Ss, 2-171  
Nut, Hex, Lock, .50-13, NI, 2-139, 2-163, 3-27  
Nut, Hex, Lock, .75-10, NI, 2-139  
Nut, Hex, Lock, M 6 X 1.0, NI, 2-135  
Nut, Hex, Lock, M06 X 1.0, NI, 2-17, 2-19  
Nut, Hex, Lock, M08 X 1.25, NI, 3-33  
Nut, Hex, Lock, M10 X 1.5, NI, 2-31, 2-48, 2-129, 2-131, 2-133, 2-147, 2-164, 2-168, 2-179, 3-23, 3-28, 3-52, 3-55  
Nut, Hex, Lock, M10 X 1.5, Ss, 3-51, 3-55

Nut, Hex, Lock, M12 X 1.75, NI, 2-43, 2-45, 2-47, 2-48  
 Nut, Hex, Lock, M16 X 2.0, NI, 3-24  
 Nut, Hex, Lock, M5 X 0.8, NI, Ss, 2-13  
 Nut, Hex, Lock, M6 X 1.0, NI, 2-35, 2-89, 2-93, 2-167, 3-23  
 Nut, Hex, Lock, M6 X 1.0, Ss, NI, 2-147  
 Nut, Hex, Lock, M6 X 1.00, NI, 2-9, 2-11, 2-127, 2-133, 2-179  
 Nut, Hex, Lock, M8 X 1.25, NI, Ss, 2-27  
 Nut, Hex, Lock, M8 X 1.25, NI, 2-27, 2-91, 2-95, 2-117, 2-119, 2-129, 2-131, 2-133, 2-163, 2-168, 2-171, 2-173, 2-179, 3-24, 3-28, 3-51, 3-55, 3-69  
 Nut, Hex, Lock, 3-17  
 Nut, Hex, M10 X 1.50 [Stover], 2-103  
 Nut, Hex, Std, .25-20, 2-65, 2-81, 2-101, 2-103  
 Nut, Hex, Std, .31-18, Ss, 3-37  
 Nut, Hex, Std, .31-18, 2-21, 2-129, 2-131, 2-133, 2-181  
 Nut, Hex, Std, .38-16, 2-99, 2-101, 2-103  
 Nut, Hex, Std, .44-14, 5, 2-9, 2-11  
 Nut, Hex, Std, .62-18, 2-177  
 Nut, Hex, Std, #10-24, 2-43, 2-45, 2-47  
 Nut, Hex, Std, M05 X 0.8, 2-43, 2-45, 2-47, 2-115  
 Nut, Hex, Std, M08 X 1.25, 3-51, 3-67  
 Nut, Hex, Std, M10 X 1.5, Ss, 2-163, 3-28  
 Nut, Hex, Std, M10 X 1.5, 2-163, 3-28  
 Nut, Hex, Std, M12 X 1.75, Ss, 2-15  
 Nut, Hex, Std, M12 X 1.75, 2-17, 2-19, 2-27  
 Nut, Hex, Std, M4 X 0.7, 8, 2-109  
 Nut, Hex, Std, M4 X 0.70, 8, 2-111  
 Nut, Hex, Std, M5 X 0.8, 8, 2-109  
 Nut, Hex, Std, M5 X 0.80, 8, 2-111  
 Nut, Hex, Std, M8 X 1.25, 2-19, 2-163, 3-24, 3-28  
 Nut, Hex, Stover, M10 X 1.5, 2-101  
 Nut, Jam, 4-3, 4-7, 4-13, 4-17  
 Nut, Low Crown, .62-18, 2-177  
 Nut, M6, 5-7, 6-7  
 Nut, Motor, Hyd, 4-35  
 Nut, slotted Hex, 4-36  
 Nut, Valve, Cartridge, 4-75, 4-77, 4-78  
 Nut, Wheel Lug, 9/16-18, 2-141  
 Nut, Wheel Lug, 2-139  
 Nut, Lock-Special 2.16-18Uns, 2-139  
 Nut, M10, 5-11, 6-11  
 Nut, Wing .44-20 Special, 2-85, 2-87, 2-89, 2-93  
 Nut&Washer, M8, 5-9, 6-9  
 Nut-hx Jam M20x1.5 4 Pltd, 2-183  
 Nut-Hxlocnyln .31-24 Reg Pltd, 2-129, 2-131, 2-133  
 Nut-Hxslot 1.00-20 Pltd, 2-141  
 Nut-Low Crown .50-20 Pltd, 2-179  
 Nut, 2-61, 2-63, 2-73, 2-77, 4-31, 4-33, 7-3, 7-9

O

O-Ring Gland, 2-149  
 O-Ring, Water Pump Adaptor, 5-23, 6-23  
 O-Ring, 2.375, 5-11, 6-11  
 O-Ring-2.250, 5-11, 6-11  
 Oil Pan Assy, 5-11, 6-11  
 Oil Pan Spacer, 5-11, 6-11  
 Oil Pan, 7-9  
 Oil Pickup Tube, 5-11, 6-11  
 Oil Plug, 5-11, 6-11  
 Oil Pmp Sprkt, 5-11, 6-11  
 Oil Pump, 5-11, 6-11  
 Oil Seal, Front, 5-5, 5-13, 5-19, 6-5, 6-13, 6-19  
 Oil, Hyd [EI, Iso 100, 05gal], 2-4  
 Oil, Hyd [EI, Iso 32, 05gal], 2-4  
 Orifice, Valve En, 4-3, 4-7, 4-13, 4-17  
 Outer Cover, 5-7, 6-7  
 Outlet For engine serial numbers (003179-004499), 7-3  
 Output Shaft Assembly, 4-27, 4-29

P

Pad, Tread, 2-7, 2-147  
 Pad, 2-145  
 Paddle Handle, 4-53  
 Pane Assy, Glass, Sliding, Cab Lh, 4-51  
 Pane Assy, Glass, Sliding, Cab, Door, 4-53  
 Pane, Glass, Cab, Front, 4-51  
 Pane, Glass, Cab, Rear, 4-51  
 Pane, Glass, Door Front, 4-53  
 Pane, Glass, Door, Rear, 4-53  
 Pane, Glass, Windshield, 4-51  
 Panel Wldt w/label, 2-13  
 Panel Wldt, Access Floor, 2-147  
 Panel Wldt, Cover Engine, 2-15  
 Panel Wldt, Fender, Lh, 2-31  
 Panel Wldt, Fender, Rh, 2-31  
 Panel Wldt, Hopper, Floor, LH, 3-20  
 Panel Wldt, Hopper, Floor, RH, 3-20  
 Panel Wldt, Rear, Lh, 2-7  
 Panel Wldt, Rear, Rh, 2-7  
 Panel Wldt, Shaker, 2-35  
 Panel, Air Conditioning, 2-13  
 Panel, Bottom, Hopper, Rh, 2-27  
 Panel, Corner, Eng Cover, 2-15  
 Panel, Cover, Access, 2-13  
 Panel, Cover, Corner, 2-15  
 Panel, Cover, Dash, 2-185  
 Panel, Cover, 3-71  
 Panel, Deflector, Dirt, Lh, 2-27  
 Panel, Deflector, Dirt, Rh, 2-27  
 Panel, Fuel Inlet w/label, 2-13  
 Panel, Fuel, Inlet, Lpg, 2-13  
 Panel, Headlight, 2-31  
 Panel, Hopper, Bottom, Lh, 2-27  
 Panel, Louver, 2-17  
 Panel, Permafilter, Upper, 2-27  
 Panel, Support, Seat, 2-13  
 Panel, Vacuum Duct, 2-15

Panel, 3-3, 3-5, 3-7, 3-9  
 Pcv Vlv Assy, 5-3, 6-3  
 Pedal Wldt, Propel Lower W/tread, 2-147  
 Pedal Wldt, 2-145  
 Pedal, Upper W/tread, 2-147  
 Pedestal Wldt, Light, 3-11, 3-13  
 Pin Assy, .312X3.0 W/Lanyard, 3-27  
 Pin Assy, Side Brush W/clip, 2-163  
 Pin Assy, Spring, 4-53  
 Pin Weldt., 2-23  
 Pin Wldt., 2-25  
 Pin Wldt, Latch, 2-31  
 Pin, 1.00 Odx 4.50, Drilled, 2-25  
 Pin, 1.25 Odx 3.50, Grooved, 2-25  
 Pin, 1.250 Od X 4.50, 2-25  
 Pin, 1.500 ODx7.81, Drilled, 2-23  
 Pin, 1/4X.32, 5-19, 6-19  
 Pin, Clevis .18 Dia.X .62 Lg, 2-161  
 Pin, Clevis .25 Dia, 1.000 Lg., 2-147  
 Pin, Clevis .31 Dia X 4.50 Lg, 2-147  
 Pin, Clevis .375D X 1.000 Lg, 2-145  
 Pin, Clevis .375D X 1.312 Lg, 2-147  
 Pin, Clevis .50 Dia X 2.25 Lg, 2-29  
 Pin, Clevis .50 Dia X 4.50 Lg, 2-147  
 Pin, Clevis, 0.31 D X 0.75I, 2-129  
 Pin, Clevis, 2-147  
 Pin, Cntrl Assy En, 4-21  
 Pin, Cotter .094X1.00, 2-167  
 Pin, Cotter, .125 X 0.75, 2-147  
 Pin, Cotter, .125 X 2.00, 2-141  
 Pin, Hair Cotter, 0.69 D .092 Wir, 2-129  
 Pin, Haircotter .31D .058Wire, 2-147  
 Pin, Haircotter .31d .058wire, 2-161  
 Pin, Headed En, 4-21  
 Pin, Headed, 4-11  
 Pin, Hitch .50D X 1.50L, 2-7  
 Pin, Latch, 4-53  
 Pin, Retainer, 2-77  
 Pin, Roll, 2-41  
 Pin, Clevis, 0.37 Dia.X 2.12 Lg, 2-167, 3-23  
 Pin, Clevis, 0.50 Dia.X 1.42 Lg, 2-175  
 Pin, Clevis, 0.50 Dia.X 2.00 Lg, 2-175  
 Pin, Clevis, 0.50 Dia.X 3.50 Lg, 2-161  
 Pin, Roll, .18Odx1.62L., 187/192, 3-71  
 Pin, Roll, .31Odx1.37L., 312/318, 2-173  
 Pin, 2-23, 2-29, 2-163, 3-27, 4-41, 7-5, 7-7, 7-9, 7-11  
 Pipe Wldt, Exhaust, Gas/Lpg, 2-97  
 Pipe, 2-73  
 Piston Pin, 6-22  
 Piston, .020" O.S., 7-7  
 Piston, Hi-limit, 7-7  
 Piston, Servo, 4-3, 4-7, 4-13, 4-17  
 Piston, Std., 5-22, 6-22  
 Piston, STD, 7-7  
 Piston, 4-35  
 Pivot Wldt, Wheel, 2-139  
 Planet Bearing, 5-9, 6-9  
 Plate & Brg, 5-9, 6-9  
 Plate Kit, 7-12  
 Plate Wldt., 2-113, 2-115, 2-117, 2-119  
 Plate Wldt, Inlet, Fuel (LPG Only), 3-35

## CROSS REFERENCE

- Plate Wldt, Skirt, 3-73  
Plate Wldt, Vac Door, 3-71  
Plate Wldt, 2-167, 3-23  
Plate, Adapter, 4-23  
Plate, Adaptor, 4-25  
Plate, Adj, Brush, 2-177  
Plate, Angle, 2-163, 2-167, 3-23, 3-27  
Plate, Back, Pump, Hyd, 4-25  
Plate, Back, 4-23  
Plate, Backing, 4-65  
Plate, Brush Suspension, Front, 2-173  
Plate, Circuit Breaker, 2-186  
Plate, Cover En, 4-3, 4-7, 4-13, 4-17  
Plate, Cover, 2-27, 2-167  
Plate, Drive, 2-43, 2-45, 2-47  
Plate, Front, Pump, Hyd, 4-25  
Plate, Front, 4-23  
Plate, Guide, Bumper, 2-7  
Plate, Hold Down, 2-173  
Plate, Injector Mtg, W/ Screw, 4-67, 4-69, 4-71, 4-73  
Plate, Latch, 3-71  
Plate, Link, 2-23  
Plate, Motor, Hyd, 4-35  
Plate, Mounting, Rfs Control, 3-79  
Plate, Mounting, Tank, Gas, 2-105  
Plate, Mounting, Vac Door, 3-71  
Plate, Mounting, Water Pump, 2-39  
Plate, Mtg, Brush, Front, 2-173  
Plate, Mtg, Check Valve, 3-27  
Plate, Mtg, Latch, 2-171  
Plate, Mtg, Relay, 2-186  
Plate, Mtg, Steering Boot, 2-183  
Plate, Mtg, Switch, A/C, 3-41, 3-47, 3-57, 3-61  
Plate, Mtg, Tank, Gas, 2-107, 2-109, 2-111  
Plate, Mtg, Valve, Solenoid, 2-159  
Plate, Mtg, W/ Screw, [Ecu], Gas, 4-71  
Plate, Mtg, W/ Screw, [Ecu], Lpg, 4-67  
Plate, Mtg, 2-113, 2-115, 2-117, 2-119  
Plate, Pin Retainer, 2-23, 2-25  
Plate, Pivot, Wheel, 2-139  
Plate, Retainer, Foam, 2-181  
Plate, Retainer, 3-73  
Plate, Seal, 2-171  
Plate, Shield, Heat, W/Label, 2-123, 2-125  
Plate, Shield, Heat, 2-53, 3-51, 3-67  
Plate, Shutter, 3-79  
Plate, Side Brush Roller, 2-167  
Plate, Side Brush, Roller, 3-23  
Plate, Spacer, Mtg, Eng 2.3Fd, 2-41  
Plate, Spacer, 2-25  
Plate, Spring - Side Brush, 2-179  
Plate, Striker, 2-21  
Plate, Support, Cover Se, 2-15  
Plate, Vac Fan, 2-179  
Plate, Valve, Motor, Hyd, 4-35  
Plate, Wear, 4-41  
Plate, Wldt, Sweep, 2-173  
Plate-Cover, 2-167  
Plate, 2-61, 2-73, 2-147, 2-167, 3-23, 3-71, 3-73, 4-31, 4-33, 4-53, 5-19, 6-19  
Plug .06 O/S, 5-3, 6-3  
Plug & O-Ring En, 4-45  
Plug #2, 4-47  
Plug #8, 4-3, 4-7, 4-13, 4-17  
Plug 1/4 Npt, 5-3, 5-6, 6-3, 6-6  
Plug 3/8 NPT, 5-15, 6-15  
Plug 3/8 Npt, 5-3, 6-3  
Plug Assembly En, 4-45  
Plug Assembly, 4-31, 4-33  
Plug Assy,Byd En, 4-45  
Plug Assy, 4-35  
Plug En, 4-5, 4-9, 4-15, 4-19, 4-21  
Plug Gage #4, 4-47  
Plug Gage #6, 4-45, 4-47  
Plug S/A En, 4-3, 4-7, 4-13, 4-17  
Plug Weld, Brush Drive, Sweep, 2-171  
Plug Wldt, Idler, 2-171  
Plug, #2 O-Ring, 4-43  
Plug, 1.50 Cup, 5-3  
Plug, 1/2Npt, 5-15, 6-15  
Plug, Brush Drive - Nylon, 2-173  
Plug, Control Box, 2-59, 2-67  
Plug, Drain, 3-71  
Plug, Hole, Injector, 2-81  
Plug, O-Ring, 4-25, 4-33  
Plug, O-ring, 4-23  
Plug, Plstc, Sq, 4-63, 4-65  
Plug, Rbr, Rnd, 4-63, 4-65  
Plug, Tube, 2-171  
Plug,#12 O-Ring Ph, 4-3, 4-7, 4-13, 4-17  
Plug,1.50 Cup, 5-6, 6-6  
Plug-Std 2.078, 5-3, 6-3  
Plug, 4-11, 4-35, 5-7, 5-19, 6-7, 6-19, 7-3, 7-7, 7-9  
Plugbtn .62H .03-.12 Blacknyl, 2-186  
Plugbtn .62H .03-.12 Blacknyl, 4-61  
Plugbtn .75H .03-.12 Blacknyl, 2-13  
Plugbtn .88H .03-.12 Blacknyl, 4-61  
Plugbtn 1.25h .12 Max Blacknyl, 2-13  
Plugbutton .88H .03-.12 Blacknyl, 2-15  
Plugbutton, 2-13, 2-185, 3-19  
Plunger En, 4-45  
Pole Piece, 7-5  
Poppet En, 4-5, 4-9, 4-15, 4-19, 4-45  
Poppet, Pump, Hyd, Gear, 4-35  
Poppet, 4-35  
Pulley - Cable, 1.5 Dia, 3-23  
Pulley Assy, Cable, 1.5 Dia, 2-167  
Pulley, Alternator, 2-39  
Pulley, Fan, 2-51, 2-53, 2-55  
Pump, Fuel, Gas, 2-107  
Pump, Fuel, 2-105, 2-109, 2-111  
Pump, Hyd Piston V 2.48 (See breakdowns), 3-82  
Pump, Hyd, Gear, [Ex3] 0.66 [R] 3000, 4-25  
Pump, Hyd, 4-23  
Pump-Hyd Gear Ex (See Breakdowns), 2-149  
Pump-Hyd Piston V (See Breakdowns), 2-149  
Pump, 7-9

## R

- Race, Bearing Ce, 4-3, 4-7, 4-13, 4-17  
Race, Bearing, 4-41  
Race, Thrust, 4-27, 4-29, 4-36, 4-37  
Radiator, 2-129, 2-131, 2-133  
Rear Plate, 5-17, 6-17  
Rectifier, 2-39  
Regulator [Ep], 2-81  
Regulator, 2-39, 2-73  
Reinforcement, 7-3  
Relay 12Vdc 40A Spdt, 3-11, 3-13  
Relay, 12vdc, 20a, Spdt, 2-219, 2-221  
Relay, 12vdc, 40a, Spdt N/O, 3-41, 3-47, 3-57, 3-61  
Relay, 12vdc, 40a, Spdt, 2-219, 2-221  
Relay, Shrouded, 12 Vdc, 2-186, 3-79  
Relay, Shrouded, 12V, 3-3, 3-5, 3-7, 3-9  
Relief Valve Sa En, 4-5, 4-9, 4-15, 4-19  
Repair Info. Cl, 4-27, 4-29  
Repair Info, Motor, 4-33, 4-37  
Repair Info, Pump, 4-23  
Repair Info,Mtr Cl, 4-35  
Repair Info,Pmp En, 4-5, 4-9, 4-15, 4-19  
Repair Info,Scu Cl, 4-41  
Replacement Kit, Rh. Side Brush Cable, 2-163  
Replacement Kit, Roller, Side Brush Lift, 2-167, 3-23  
Replacement Kit, Side Brush Cable, Lh, 3-27  
Replm Kit, Case, 2-185  
Replm Kit, Cir Board, 2-185  
Replm Kit, Flywheel, 5-17  
Replm Kit, Hourmeter, 2-185  
Replm Kit, Instr Panel, 2-185  
Replm Kit, Lamp, Backlighting (Set of 8), 2-185  
Replm Kit, Lamp, Fault (Set of 8), 2-185  
Replm Kit, Seal, 2-185  
Replm Kit, Touch Panel, 2-185  
Restrictor, Jet, Coolant, 2-77  
Retainer, Front, Motor, Hyd, 4-35  
Retainer, Frt, 4-31, 4-33  
Retainer, 5-9, 6-9, 7-5  
Retaining Ring-External, 1.25D, 2-25  
Retaining Ring, 5-9, 6-9  
Retaining Rng En, 4-45  
Retnr.Gear, 5-9, 6-9  
Rfs Kit, 3-79  
Ring Kit, .030" O.S., 7-7  
Ring Kit, Std, 7-7  
Ring Set,Std., 5-22, 6-22  
Ring Wldt, Mtg, Filter, 2-35  
Ring Wldt, Shaker, 2-35  
Ring, Isolator, Outer Rbr, 2-129, 2-131, 2-133, 2-179  
Ring, Isolator, Outer, Rbr, 2-35  
Ring, Rear Window, 4-51



Ring, Retainer, Lock, 2-139  
 Ring, Retainer, 4-41  
 Ring, Retaining En, 4-5, 4-9, 4-15, 4-19, 4-21  
 Ring, Retaining, Ex 1.5 Dia Hd, 2-23  
 Ring, Retaining, Ext 1.12, 2-35  
 Ring, Retaining, 4-11  
 Ring, Rubber, 2-85, 2-87, 2-89, 2-93  
 Ring, Retain, Ex, .59D, Basic, 2-173  
 Ring, Retain, Ex, 0.50 Stl Steel, 2-147  
 Ring, Retain, Ex, 0.50Od, Heavy Dt, 2-183  
 Ring, Retain, Ex, 0.59Od, Basic, 2-173  
 Ring-Drv, Stop, 5-9, 6-9  
 Ring, 2-161, 7-12  
 Rivet, Blind, .125d X 0.32 X .25d, Stl, 3-79  
 Rivet, Plastic .250Dx.898, 2-183  
 Rivet, Plastic .325D X .787, 2-13  
 Rivet, Plastic, 2-9, 2-11, 3-35  
 Rivet, Pop, 2-17  
 Rod End .250-28 .25Dia, 2-147  
 Rod Wldt, Push, Brake, 2-145  
 Rod, Hanger, Isolator, 2-101, 2-103  
 Rod, Latch, Steering, Tilt, 2-183  
 Rod, Seat, 2-13  
 Rod, Support Cover, 2-15  
 Rod, Thrd, 2 End .50-13 05.75, 2-175  
 Rod, Thread, 2-167, 2-177  
 Rod, Threaded .50-13, 2-175  
 Rod-End, .25-28rh Fem 0.25b [Teflon], 2-147  
 Rod-Thrd, Full .25-28, 2-147  
 Rod-Thread, 2End M08X1.25X10Lg, 2-145  
 Rod, 5-19, 6-19, 7-3  
 Roll Pin En, 4-5, 4-9, 4-15, 4-19  
 Rotating Kit, 4-3, 4-7, 4-13, 4-17  
 Rotator, 7-3  
 Rotor, 7-5

**S**

Scr Hex .38-16X0.75, 2-183  
 Scr Soc M6x1.0 20, 2-59, 2-67  
 Scr&Wash M6, 5-19, 6-19  
 Scr&Wsh, M6X15.0M, 5-21, 6-21  
 Scr&Wsh, M6X22.5, 5-7, 6-7  
 Scr-Hex M20X2.5 80 Full Thd, 2-173  
 Scr-Hxfmgm 5X0.8 16 pltd, 2-15  
 Scr-Hxfmgm 6x1.0 12 Pltd, 3-35  
 Scr-Shld .500Dx0.50L .38-16, 2-7  
 Scr-soc .50-13x2.75 Alloypltd, 2-139  
 Scr-soc M12x1.75 60, 2-139  
 Screen Kit, Door, Side, Modif, 2-19  
 Screen, Filter, 2-35  
 Screen, Muffler, 2-97, 2-99  
 Screen, w/Suction Pipe, 7-9  
 Screen, w/Tube, 7-9  
 Screw Cap Cl, 4-27, 4-29  
 Screw Set M 6X1.020, 2-161  
 Screw, .38-16 X 1.00, 2-65, 2-81  
 Screw, .38-24 X 4.0, 2-51  
 Screw, Cap En, 4-3, 4-5, 4-7, 4-9, 4-13, 4-15, 4-17, 4-19

Screw, Cap, Motor, Hyd, 4-25, 4-35  
 Screw, Cap, 4-3, 4-7, 4-13, 4-17, 4-23, 4-31, 4-33  
 Screw, Flt, .38-16 X 1.00, Al, 2-173  
 Screw, Flt, .50-13 X 2.00, Al, 2-163, 3-27  
 Screw, Flt, M10 X 1.5 X 25, 10.9, 2-163, 3-28  
 Screw, Flt, M10 X 1.5 X 35, 10.9, 2-163, 3-28  
 Screw, Flt, M5 X 0.8 X 16, 10.9, 2-171  
 Screw, Flt, M8 X 1.25 X 30, Ss, 2-27  
 Screw, Flt, 2-181  
 Screw, Hex m06, 3-37  
 Screw, Hex m08, 2-167, 3-23  
 Screw, Hex m10, 2-167, 3-23  
 Screw, Hex, .25-20 X 0.50, 5, 2-43, 2-45, 2-47  
 Screw, Hex, .25-20 X 0.50, G5, 2-65, 2-81  
 Screw, Hex, .25-20 X 0.75, 5, 2-73  
 Screw, Hex, .25-20 X 0.75, G5, 2-65, 2-81  
 Screw, Hex, .25-20 X 0.75, NI, 2-9, 2-11, 2-19  
 Screw, Hex, .25-20 X 1.00, 5, 2-57, 2-147  
 Screw, Hex, .25-20 X 1.25, G5, 2-65, 2-81  
 Screw, Hex, .31-09 X 1.25, Wood, 2-5  
 Screw, Hex, .31-18 X 0.75, 5, 2-43, 2-45, 2-47, 2-123, 2-125  
 Screw, Hex, .31-18 X 1.00, 5, 2-53, 2-55  
 Screw, Hex, .31-18 X 1.25, 5, 2-51  
 Screw, Hex, .31-24 X 0.75, 5, 2-51, 2-53, 2-55  
 Screw, Hex, .38-16 X 0.62, 5, 7-5  
 Screw, Hex, .38-16 X 0.75, 5, 2-53, 2-55  
 Screw, Hex, .38-16 X 1.00, 5, 2-43, 2-45, 2-47, 2-53, 2-55  
 Screw, Hex, .38-16 X 1.00, NI, 2-164, 3-28  
 Screw, Hex, .38-16 X 1.25, 5, 2-147  
 Screw, Hex, .38-16 X 1.25, G5, 3-55  
 Screw, Hex, .38-16 X 2.00, 5, 2-129, 2-131, 2-133  
 Screw, Hex, .38-16 X 2.00, Fl, 2-43  
 Screw, Hex, .38-16 X 2.25, 5, 2-51, 2-53, 2-55, 3-51, 3-67  
 Screw, Hex, .38-16 X 2.50, G5, 3-55, 3-69  
 Screw, Hex, .38-16 X 3.00, G5, 2-117, 2-119  
 Screw, Hex, .38-16 X 4.00, 5, 2-53, 2-55, 3-51  
 Screw, Hex, .38-16 X 4.00, G5, 2-117, 2-119, 3-55, 3-69  
 Screw, Hex, .38-24 X 1.50, 5, 3-51  
 Screw, Hex, .38-24 X 1.50, G5, 3-55  
 Screw, Hex, .50-13 X 3.50, 5, 2-171  
 Screw, Hex, .62-18 X 0.31, 2-45, 2-48  
 Screw, Hex, .75-10 X 2.50, G5, 2-139  
 Screw, Hex, #08-32 X 0.38, Ss, 3-79  
 Screw, Hex, #08-32 X 0.38, Tcut, 2-103

Screw, Hex, #10-24 X 0.50, Ss, 2-53, 2-55  
 Screw, Hex, 10-24 X 0.50, Ss, 3-79  
 Screw, Hex, M 8 X 1.25 X 40, Fl, 3-51, 3-67  
 Screw, Hex, M05 X 0.8 X 25, Ss, 2-115  
 Screw, Hex, M06 X 1.0 X 16, 8.8, 2-71  
 Screw, Hex, M08 X 1.00 X 16, 10.9, 2-41  
 Screw, Hex, M08 X 1.25 X 20, 8.8, 3-33  
 Screw, Hex, M08 X 1.25 X 25, 8.8, 2-43, 2-45, 2-47  
 Screw, Hex, M10 X 1.5 X 30, 8.8, 2-101  
 Screw, Hex, M10 X 1.5 X 45, 8.8, 2-101  
 Screw, Hex, M10 X 1.5 X 100, 8.8, 3-51, 3-67  
 Screw, Hex, M10 X 1.5 X 110, 8.8, 3-55  
 Screw, Hex, M10 X 1.5 X 120, 8.8, Fl, 3-51  
 Screw, Hex, M10 X 1.5 X 130, 8.8, 3-51  
 Screw, Hex, M10 X 1.5 X 20, Ss, NI, 2-23, 2-25  
 Screw, Hex, M10 X 1.5 X 20, Ss, 2-163, 3-27  
 Screw, Hex, M10 X 1.5 X 25, 8.8, 2-9, 2-11, 2-164, 2-168, 2-171, 3-23, 3-28, 3-52  
 Screw, Hex, M10 X 1.5 X 25, Ss, NI, 2-164, 3-28  
 Screw, Hex, M10 X 1.5 X 25, Ss, 2-35  
 Screw, Hex, M10 X 1.5 X 30, 8.8, 2-48  
 Screw, Hex, M10 X 1.5 X 35, 8.8, 2-35, 2-48, 2-103, 2-163, 2-168, 3-23, 3-28  
 Screw, Hex, M10 X 1.5 X 40, 8.8, 2-147  
 Screw, Hex, M10 X 1.5 X 45, 8.8, 2-103  
 Screw, Hex, M10 X 1.5 X 50, 8.8, 2-179, 3-49, 3-63  
 Screw, Hex, M10 X 1.5 X 60, 8.8, 2-137  
 Screw, Hex, M10 X 1.5 X 80, 8.8, 2-168, 3-24  
 Screw, Hex, M10 X 1.5 X 90, 8.8, Fl, 3-28  
 Screw, Hex, M10 X 1.5 X 90, 8.8, 2-31, 2-168, 3-24  
 Screw, Hex, M10 X 1.50 X 25, 8.8, 3-55  
 Screw, Hex, M12 X 1.75 X 60, 8.8, 2-43, 2-45, 2-47  
 Screw, Hex, M12 X 1.75 X 30, 8.8, 2-171  
 Screw, Hex, M12 X 1.75 X 35, 8.8, 2-48, 2-171  
 Screw, Hex, M12 X 1.75 X 40, 8.8, 2-137  
 Screw, Hex, M12 X 1.75 X 60, 8.8, 2-27  
 Screw, Hex, M16 X 2.0 X 70, 8.8, Fl, 3-24  
 Screw, Hex, M20 X 2.5 X 60, 8.8, 2-139  
 Screw, Hex, M20 X 2.5 X 70, 8.8, 2-139  
 Screw, Hex, M4 X 0.7 X 6, 8.8, 3-51, 3-67  
 Screw, Hex, M4 X 0.7 X 6, 8.8, 3-55, 3-69  
 Screw, Hex, M4 X 0.70 X 12, 8.8, 3-15  
 Screw, Hex, M5 X 0.8 X 16, Ss, 2-13  
 Screw, Hex, M6 X 1.0 X 35, 8.8, 2-135  
 Screw, Hex, M6 X 1.0 X 10, 8.8, 2-127  
 Screw, Hex, M6 X 1.0 X 12, Fmg, 2-27, 3-79

## CROSS REFERENCE

- Screw, Hex, M6 X 1.0 X 16, 8.8, 2-117, 2-119  
Screw, Hex, M6 X 1.0 X 16, Ss, NI, 2-173  
Screw, Hex, M6 X 1.0 X 20, 8.8, NI, 2-31, 2-171  
Screw, Hex, M6 X 1.0 X 20, 8.8, 2-19, 2-131, 2-133, 2-147, 2-159, 2-167, 2-179  
Screw, Hex, M6 X 1.0 X 20, Fmg, 2-163, 3-27, 3-47, 3-49, 3-61, 3-63  
Screw, Hex, M6 X 1.0 X 25, 8.8, 2-9, 2-11, 2-89, 2-93, 2-127, 2-164, 3-28  
Screw, Hex, M6 X 1.0 X 35, 8.8, 2-9, 2-11  
Screw, Hex, M6 X 1.0 X 35, Ss, 2-147  
Screw, Hex, M6 X 1.0 X 45, 8.8, 2-65  
Screw, Hex, M6 X 1.0 X 50, 8.8, 2-91, 2-95, 2-111  
Screw, Hex, M6 X 1.0 X 60, 8.8, 2-167, 3-23  
Screw, Hex, M6 X 1.00 X 20, 8.8, 2-133  
Screw, Hex, M8 X 1.25 X 16, 8.8, 2-101  
Screw, Hex, M8 X 1.25 X 20, 8.8, 2-101, 2-135, 3-51, 3-67  
Screw, Hex, M8 X 1.25 X 25, 8.8, 2-135, 3-51, 3-67  
Screw, Hex, M8 X 1.25 X 16, 8.8, 2-31, 2-53, 2-145  
Screw, Hex, M8 X 1.25 X 20, 8.8, 2-19, 2-31, 2-103, 2-111, 2-117, 2-119, 2-129, 2-131, 2-133, 2-137, 2-167, 2-179, 3-23, 3-52  
Screw, Hex, M8 X 1.25 X 20, Ss, NI, 2-57, 2-147  
Screw, Hex, M8 X 1.25 X 20, Ss, 2-27  
Screw, Hex, M8 X 1.25 X 25, 8.8, 2-129, 2-131, 2-133  
Screw, Hex, M8 X 1.25 X 25, Ss, 2-168, 3-23  
Screw, Hex, M8 X 1.25 X 30, 8.8, 2-103, 2-179, 3-23, 3-51  
Screw, Hex, M8 X 1.25 X 30, Ss, 2-27  
Screw, Hex, M8 X 1.25 X 40, 8.8, Fl, 3-55, 3-69  
Screw, Hex, M8 X 1.25 X 40, 8.8, 2-163, 3-28  
Screw, Hex, M8 X 1.25 X 60, 8.8, 2-168, 2-171, 3-24  
Screw, Hex, M8 X 1.25 X 70, 8.8, 2-145, 2-173  
Screw, M6 X 10mm, 2-65, 2-81  
Screw, Pan, #10-24 X 0.50, Fmg, 2-163, 3-28  
Screw, Pan, M 6 X 1.0 X 40, 4.8, 2-17, 2-19  
Screw, Pan, M04, 3-17  
Screw, Pan, m06, 2-31  
Screw, Pan, M5 X 0.80 X 10, 4.8, 3-79  
Screw, Pan, M6 X 1.0 X 20, 4.8, 2-35  
Screw, Pan, Phl, M6 X 1.00 X 16, 4.8, 2-133  
Screw, Set En, 4-21  
Screw, Set, 2-171, 4-11  
Screw, Soc, .38-16 X 1.00, Al, 2-65, 2-81  
Screw, Soc, .38-16 X 1.25, Al, 2-45, 2-47  
Screw, Soc, .38-16 X 2.25, G5, 2-45, 2-47  
Screw, Soc, #12-24 X 1.50, 2-81  
Screw, Soc, M6 X 1.00 X 70, 2-81  
Screw, M6X22.5mm, 5-7, 6-7  
Screw-Hex M10X1.5 90 Full Thd, 2-163  
Screw-Hex M10X1.5, 2-163  
Screw-Set M10 X 1.50 2045H, 2-147  
Screw, 2-51, 2-73, 4-37, 7-9  
Seal Cw, 4-51  
Seal Kit, 4-36, 4-37  
Seal Kit, C0il CP, 4-47  
Seal Kit, Cart. CP, 4-47  
Seal Kit, Cart., 4-42  
Seal Kit, Cart, 4-43  
Seal Kit, Cartridge, 4-75, 4-77, 4-78  
Seal Kit, Coil, 4-42, 4-43  
Seal Kit, Cyl, Hyd, 4-49  
Seal Kit, Hyd Mtr Gear, 4-39  
Seal Kit, Motor, 4-31, 4-33  
Seal Kit, Pane, Cab, 4-51  
Seal Kit, Pane, Door, 4-53  
Seal Kit, Pump En, 4-3, 4-5, 4-7, 4-9, 4-13, 4-15, 4-17, 4-19  
Seal Kit, Rear, 4-33  
Seal Kit, Scu, 4-41  
Seal Kit, Shaft, 4-31, 4-33  
Seal Kit, Shaker Panel, 2-35  
Seal Kit, Vlv En, 4-45  
Seal Kit, Cntrl En, 4-21  
Seal Kit, Cntrl, 4-11  
Seal Kit, 4-38, 4-48  
Seal Replmt Kit, 4-27, 4-29  
Seal, 48.0 Lg., 2-13, 2-17, 2-19  
Seal, 7.00 Lg, 2-13  
Seal, Bearing, 2-183  
Seal, Boot, Steering Column, 2-183  
Seal, Brush Comp, Side 810, 2-9, 2-11  
Seal, Brush Comp, Side, 2-4  
Seal, Brush Door, 2-9, 2-11  
Seal, Bulb, Sd-0504 19.75Lg, 2-15  
Seal, Bulb, Sd-0504 24.50Lg, 2-13  
Seal, Bulb, Sd-0504 28.00 Lg, 2-13  
Seal, Door, Brush, Lh, 2-9  
Seal, Door, Brush, Rh, 2-11  
Seal, Duct, 2-129, 2-131, 2-133  
Seal, Dust, 2-13, 2-27, 2-35  
Seal, Filter, 3-79  
Seal, Foam Rbr .19 .75W 8.43L, 3-71  
Seal, Foam Rbr, .19 .75W 47.1L, 3-71  
Seal, Foam, .06t .25w 34.0l, 3-39  
Seal, Foam, .06t .25w 42.0l, 3-39  
Seal, Foam, .06t .25w 54.0l, 3-39  
Seal, Foam, .06t .25w 76.0l, 3-39  
Seal, Foam, .06t .25w 84.0l, 3-39  
Seal, Foam, Urethane Covered, 2-27  
Seal, Handle, Valve, 2-185  
Seal, Hinge, Cab Rear Glass [800]], 4-51  
Seal, O-Ring .787ldx.210Th, 3-79  
Seal, Org, .139 X 03.109 Id, 2-57  
Seal, Org, Sensor, Temp [Epr], 2-82  
Seal, Org, 2-77  
Seal, Pan, Top, 2-4, 2-7  
Seal, Rear Window, 4-51  
Seal, Rear, 5-5, 6-5  
Seal, Rod, Adjuster, 2-13, 2-177  
Seal, Ure, 0.38 0.75w 19.5l Adh, 2-129, 2-131, 2-133  
Seal, Urethane Covered Foam, 2-31  
Seal, Urethane, 3-35, 3-79  
Seal, Foam Rbr, .31 .75W 14.8L, 2-13  
Seal, Foam Rbr, .62 .62W 24.5L, 2-15, 2-17, 2-19  
Seal, Org, Lpg, Mixer [Gm 2007], 2-81  
Seal, Valve Stem, 5-5, 6-5  
Seal, 2-7, 2-13, 2-15, 3-71, 3-79, 5-9, 6-9, 7-11  
Sealant, [Rtv], 03.35oz, 7-7  
Sealant, [Rtv], 05.00oz, 7-7  
Sealer, 7-3, 7-5  
Sealing Kit, Operator Comp, 2-13  
Seat Belt Kit, 3-77  
Seat, Suspension, 2-13  
Send Unit, Temperature, 2-39  
Send Unit, 2-105  
Send-Unit, Fuel [800/810 2007], 2-111  
Send-Unit, Fuel, Ohm, 2-109  
Send-unit, Water, Temperature, .38npt, 2-61, 2-73  
Send-Unit, 2-107  
Sender, Filter, Hydraulic, 2-21  
Sending unit, Oil Press, 2-43, 2-45, 2-47  
Sensor [T Map], 2-65, 2-81  
Sensor, [Tmap], 2-63, 2-77  
Sensor, Exhaust, Tailpipe, 2-103  
Sensor, Manifold Press, 4-67, 4-69, 4-71, 4-73  
Sensor, Oxygen [Gm 1.6l/3.0l 2007], 2-103  
Sensor, Oxygen, 2-101  
Sensor, Speed, Timing Wheel [3.0l], 2-63, 2-77  
Sensor, Temp [Epr], 2-82  
Sensor, Temp, Coolant, 2-61, 2-63, 2-65, 2-77  
Sensor, Temp, 2-63, 2-65, 2-77, 2-81, 4-67, 4-69, 4-71, 4-73  
Sensor, Water Temp, 2-73  
Sensor, Crnksft, 5-7, 6-7  
Separator, 5-3, 5-24, 6-3, 6-24  
Set Screw, 2-35  
Shaft and Brg, 4-31, 4-33  
Shaft Wldt, Main Brush, 2-171  
Shaft, Drive Sp En, 4-3, 4-7, 4-13, 4-17  
Shaft, Drive, 2-173  
Shaft, Eccentric, 2-35  
Shaft, Idler, 2-171, 2-173  
Shaft, Input En, 4-21  
Shaft, Input, 4-11  
Shaft, Motor, Hyd, 4-35  
Shaft, Pivot, 2-163, 3-27, 3-79  
Shaft, 3-71, 4-36, 4-37, 7-5  
Shaker Bar Replacement Kit, 2-35

- Sheave, [3L], 1Grv, 03.5Pd 0.67B, 3-51, 3-67
- Sheave, 01grv, 03.5pd 0.67b [3l], 3-55, 3-69
- Sheave, Alternator, Se, 3-65
- Sheave, Aux, [Hc38], 1Grv 6.8od [Gm 3.0L], 3-51
- Sheave, Aux, 1grv, 06.8od [Gm3.0l, Hc38], 3-55
- Sheave, Eng Crank, Fd W/Tg 2Gr, 2-39
- Sheave, Water Pump, 5-23, 6-23
- Shft Asy, Output, 5-9, 6-9
- Shield Wldt, Heat, Manifold, 2-127
- Shield, Dust, 2-7, 2-43, 2-45, 2-47
- Shield, Heat, Alternator [2007], 2-55
- Shield, Heat, Alternator, Hd[800/810 07], 3-55, 3-69
- Shield, Heat, Manifold, 2-65, 2-81
- Shield, Heat, 2-61, 2-74, 2-101, 2-103
- Shield, Plug, 2-173
- Shield, 7-3
- Shim .003Th 0.88Odx0.506ld, 2-179
- Shim .005Th 0.88Odx0.506ld, 2-179
- Shim .010 Thk En, 4-45
- Shim .010Th 0.88Odx0.506ld, 2-179
- Shim .015 Thk En, 4-45
- Shim .020Th 0.88Odx0.506ld, 2-179
- Shim .035 Thk En, 4-45
- Shim .060Th 0.880Dxo.506ld, 2-179
- Shim, 4-35, 4-53
- Shims En, 4-5, 4-9, 4-15, 4-19
- Shoe, Brake, 4-63, 4-65
- Short Tube, 5-3, 6-3
- Shoulder Screw, 2-35
- Shroud Kit, Fan, Radiator [800/810], 2-133
- Shroud Wldt, Fan, Radiator [800/810], 2-133
- Shroud, Fan, Radiator, W/ Label [800], 2-129, 2-131
- Signal Turn, 3-17
- Skirt, Brush Door, 2-4, 2-9, 2-11
- Skirt, Cooling Fan [800/810], 2-133
- Skirt, Cover, Sbdc, 3-73
- Skirt, Deflection, 3-73
- Skirt, Deflector, 2-27
- Skirt, Lip, 2-27
- Skirt, Retainer, 3-73
- Skirt, Seal, Main Brush, 2-4, 2-7
- Skirt, Slotted, 2-4, 2-9, 2-11
- Skirt, 3-73
- Sleeve .438B 1.00D .35Stl, 3-23
- Sleeve, .259B .38D .62 Dom, 2-161
- Sleeve, .320B .32D .49 Lc Stl, 2-31
- Sleeve, .344B .50D .81 Cr.Anc, 2-145
- Sleeve, .375B .62D1.06 Stl, 2-139
- Sleeve, .375B .75D .32 Stl, 2-167, 3-23
- Sleeve, .385B .62D .62 Cd.Cad, 2-13
- Sleeve, .408B .62D .53Stl, 2-147
- Sleeve, .438B 1.00D .35 Stl, 2-167
- Sleeve, 0.406B .750D .800Stl, 3-23
- Sleeve, 0.406B 0.75D1.80 Stl, 2-167, 3-23
- Sleeve, Alternator, 2-51, 2-53, 2-55, 3-55, 3-67, 3-69
- Sleeve, Bearing, 2-35
- Sleeve, Dashpo, Pump, Hyd, Gear, 4-35
- Sleeve, Hyd 30", 2-171
- Sleeve, Nyl 16.0 L, 2-21
- Sleeve, Nyl, #27 55.0l, 3-31
- Sleeve, Nyl, #33 65.0l, 3-43, 3-49, 3-59, 3-63
- Sleeve, Nyl, 37, 25.0l, 2-139
- Sleeve, Nylon #27 65.0L, 2-163
- Sleeve, Nylon #27 55.0l, 3-27
- Sleeve, P/M, 0.496d 0.318b 0.50l 430ss, 2-167
- Sleeve, P/M, 0.496d 0.318b 0.65l 430ss, 2-167
- Sleeve, Pivot, Door, 2-29
- Sleeve, Throttle [Bosch], Plstc, 2-77
- Sleeve, 0.406B .750D .800 Stl, 2-167
- Sleeve, 2-85, 2-87, 2-89, 2-93, 3-23
- Solenoid, Valve, Hyd, 36vdc, 4-75, 4-77, 4-78
- Solenoid, Valve, Hyd, 4-77, 4-78
- Solenoid, 5-9, 6-9
- Spacer En, 4-45
- Spacer Plate Cl, 4-27, 4-29
- Spacer Plate, 4-37
- Spacer, .25 L, 2-161
- Spacer, .75D .9L .25-28 Th, 2-147
- Spacer, .90L, 2-161
- Spacer, Brake, 2-145
- Spacer, Condenser, 4-57
- Spacer, Pane, Glass, 4-51
- Spacer, Sppt, Filter Lock Off, 2-77
- Spacer-.50 Od X .055W X 1.0, 2-145
- Spacer, 2-25, 2-61, 2-73, 2-129, 2-131, 2-133, 2-145, 2-163, 2-167, 2-179, 3-23, 3-27, 4-51, 5-15, 6-15
- Spark Plug Wires, 7-5
- Spark Plug-10 FD, 2-4
- Spark Plug, 5-24, 6-24, 7-3
- Sparkplug [Gm 3.0], 2-4
- Sparkplug, 2-4
- Spindle, Adjustment, 2-15
- Spring En, 4-45
- Spring En, 4-5, 4-9, 4-15, 4-19, 4-45
- Spring Kit, 4-41
- Spring, Cntr En, 4-21
- Spring, Cntr, 4-11
- Spring, Comp, 2-163, 3-27
- Spring, Extension, 2-163, 3-27
- Spring, Gas 80 Lb, 3-37
- Spring, Motor, Hyd, 4-35
- Spring, Propel, Centering, 2-147
- Spring, Recirculation, 2-7
- Spring, Tens, 0.5Dx.06Wire 2.5L, 2-145
- Spring, Tension, 2-175, 5-19, 6-19
- Spring, Torsion, Rh, 2-163
- Spring, Torsion, 3-27
- Spring, Retainer En, 4-21
- Spring, Retainer, 4-11
- Spring-Gas, Engine Cover, 2-31
- Spring, 2-35, 4-31, 4-33, 4-35, 4-63, 4-65, 7-3, 7-9
- Sprng, Comp, 0.62ldx.06Wire 2.3L, 2-183
- Sprng, Comp, 0.83ldx.07Wire 1.0L, 3-71
- Sprng, Comp, 0.87ldx.10Wire 2.5L, 2-177
- Sprng, Tens, 0.965Odx.09Wire4.4L, 2-31
- Sprng, Tens, 1.00Odx.09Wire 2.8L, 2-147
- Starter, 2-43, 2-45, 2-47
- Statnry Gear, 5-9, 6-9
- Std. Exh. Valve, 5-21, 6-21
- Std. Int. Valve, 5-21, 6-21
- Steer Control Hyd#4 04.5 1300, 4-41
- Steer Control, Hyd, 2-183
- Stem, Valve, Hyd, 4-75, 4-77
- Strain, Relief, 2-37, 3-79
- Strainer-Hyd Suction 25-100-03, 2-4, 2-157
- Strap Weldmt, Gas Tank, 2-105
- Strap Wldt, Tank, .06th X 1.0w, 37.7l, 2-107, 2-109
- Strap Wldt, Tank, 0.06 1.0w 37.7l, 2-111
- Strap, Hinge - Lp Tank Mtg, 2-113, 2-115, 2-117, 2-119
- Strap, Mounting, 2-59, 2-67
- Strap, Mtg. - Lp Tank, 2-113, 2-115, 2-117, 2-119
- Strap, Mtg, Fltr, Air, 7.17id, 2-91, 2-95
- Strap, Retainer, Seal, 2-4, 2-7
- Strap, Tank Retainer - Lp, 2-113, 2-115, 2-117, 2-119
- Strip, Edging, 2-7
- Strip, Hopper, 2-27
- Strip, Retainer, Bearing, 2-171
- Strip, Retainer, Brake Cable, 2-145
- Strip, Retainer, Seal, Lh, 2-9
- Strip, Retainer, Seal, Rh, 2-11
- Strip, Retainer, Seal, Side, 2-9, 2-11
- Strip, Retainer, Shield, Lh, 2-7
- Strip, Retainer, Shield, Rh, 2-7
- Strip, Retainer, Skirt, Front, 2-27
- Strip, Retainer, Skirt, 2-4, 2-9, 2-11, 3-73
- Strip, Spacer, 2-15
- Stud M12, 5-3, 6-3
- Stud, .003" O.S., 7-3
- Stud, .013" O.S., 7-3
- Stud, .38-16 X 1.2l, 2-63, 2-65, 2-81
- Stud, Adjustment, 3-71
- Stud, Wheel .56-18x2.13, 2-139, 2-141
- Stud, M6X61.8mm, 5-7, 6-7
- Stud, M8X51.0mm, 5-7, 6-7
- Stud, 2-61, 2-63, 2-73, 2-77, 2-78, 5-15, 5-23, 6-15, 6-23, 7-11
- Support Wldt, Sppt, Hopper Lh, 2-33
- Switch Assy, Pressure, Hyd, 2-159
- Switch Assy, Roller-no, 3-15
- Switch Ignition, 2-185
- Switch Rocker Spst, 2-167, 3-23
- Switch, 3 Pos, Blower, Heat, 3-41, 3-47, 3-57, 3-61
- Switch, Press, 0006psi Dpdt, 2-39
- Switch, Press, 12vdc 08a Spst Nc 0070psi, 2-115, 2-117, 2-119
- Switch, Pressure, Lpg, 2-69

## CROSS REFERENCE

Switch, Pressure, 2-37, 3-79  
Switch, Pushmom, Spst100A 12V, 2-183  
Switch, Rocker, Dpdt., 2-175  
Switch, Rocker, Dpdt, 2-185  
Switch, Roller, 2-23  
Switch, Thermo, A/C, 3-41, 3-47  
Switch, Wiper Motor, 4-51  
Switch, Lockout En, 4-21  
Switch, 2-71, 3-17  
Swivel, 3-43, 3-49, 3-59, 3-63

### T

Tank Wldt, Hydraulic w/label, 2-157  
Tank, Coolant, 03.5 03.0 06.5deep 1.0 Qt, 2-129  
Tank, Coolant, 04.7 03.3 4.7deep, 1liter, 2-131, 2-133  
Tank, Coolant, 06.0 04.5 06.9deep 2.5 Qt, 2-129  
Tank, Fuel, 14 Gas 14.7 13.0 19.0l, 2-107  
Tank, Fuel, 14 Gas 14.7 13.0 19.0, 2-109  
Tank, Fuel, 14.0gal, 14.66w 13.0hi 19.0l, 2-111  
Tank, Fuel, 2-105  
Tank-Lp, 33#,Liq,Both,Fill Ga, 2-113, 2-115, 2-117, 2-119  
Tap.Assy-Valve, 5-21, 6-21  
Temperature sensor, 5-23, 6-23  
Tensioner, Arm, 5-19, 6-19  
Term.Cover, 5-9, 6-9  
Therm 190 W/Gsk, 5-23, 6-23  
Thermostat Assembly, 155 Deg, 2-181  
Thermostat Housing [Gm3.0l 2007], 2-48  
Thermostat, 7-3  
Thrust Bearing, 4-27, 4-29  
Tie, Cable 1.75D Max 7.50Lg, 2-37  
Tie, Cable 1.75D Max 7.50Lg, 3-11, 3-13, 3-79  
Tie, Cable 3.00D Max 11.41Lg, 2-183  
Tie, Cable 4.00 Max 14.50Lg, 3-79  
Tie, Cable, 11.3l, 2.75d Max, 2-133  
Tie, Cable, 20.0l, 6.00d Max, 2-179  
Tie, Cable, Nyl, 07.3l .19w 1.8 Max D, 3-41, 3-47, 3-81  
Tie, Cable, Nyl, 11.4l .19w 3.0 Max D, 2-7  
Tie, Cable, Nyl, 15.3l . W 4.5 Max D, 3-43, 3-49, 3-59, 3-63  
Tie, Cable, 3-3, 3-5, 3-7, 3-9, 3-15, 3-17  
Tie, Wire 11-1/2x.19 Ny (not shown), 2-73  
Timer, 12vdc, 5 Sec On Delay, 2-13  
Timing Belt, 5-19, 6-19  
Tire & Flap Assy, 2-143  
Tire & Rim Assy, Pneu 6.50-10, 2-143  
Tire and Rim Assy, Solid 6.5, 3-76  
Tire, Solid, 3-76  
Tray Wldt, Drip, Gas [3.0l], 2-63  
Tread, Floormat, Rubber, 2-13  
Tread, Rubber, 3-35  
Trim, 2-13  
Tube Assy, Brake, 2-145  
Tube Assy, Fuel .31Od, 2-105  
Tube Asy,Cond/Dry, 4-57

Tube Wldt, Brace, Center, 2-15  
Tube Wldt, Intake, 2.0d .38npt, 2-87  
Tube Wldt, Tee, 2-89, 2-91, 2-93, 2-95  
Tube Wldt, Torque, Front Brush, 2-173  
Tube, 0.50id 1.00od 01.0l, Stil, Pntd, 3-55, 3-69  
Tube, 0.62D .44B 2.44, Stil, 2-31, 3-37  
Tube, 00.75d 00.41b 03.3l Stil Pl, 3-51  
Tube, 01.00d 00.44b 00.7l Stil Plt, 3-67  
Tube, 01.00d 00.50b 01.0l Stil Pnt, 3-51  
Tube, 01.00d 00.50b 01.0l Stil Pnt, 2-51, 2-53, 2-55  
Tube, Air Bleed, 2-59, 2-69, 2-71  
Tube, Coolant, 1.5d Upper, Gas/Lpg, 2-123, 2-125  
Tube, Coolant, 1.5d W/.25npt Low, G/Lpg, 2-123, 2-125, 2-127  
Tube, Coolant, 1.5od Lower, 2-121  
Tube, Cross, Bumper, Se, 3-21  
Tube, Ds, 7-7  
Tube, Exhaust, 2.0d [Gm3.0] [800/810], 2-99, 2-101  
Tube, Exhaust, Lower, [800/810, 2007], 2-103  
Tube, Exhaust, Rear [Gm3.0l 800/810 07], 2-103  
Tube, Exhaust, Rear, 2-101  
Tube, Inner, 2-143  
Tube, Intake, 2.0d 04.0l, 2-87  
Tube, Radiator, Upper [800gas/Lpg], 2-127  
Tube, Radiator, Upper, Gas/Lpg, 2-121  
Tube, Retainer, Spring, 2-175  
Tube, Spacer, Brush Lift, 2-175  
Tube, Tailpipe, 2-103

### V

Vac.Fitting, 5-15, 6-15  
Valve [Pcv], 2-65, 2-81  
Valve - Hyd., Solenoid, 4-42  
Valve Assy, Ball, 3 Way, Em10/Em10/Em10, 3-43, 3-49, 3-59, 3-63  
Valve Guide Bushing, 5-21, 6-21  
Valve Plate, 4-5, 4-9, 4-15, 4-19, 4-31, 4-33  
Valve Rocker Arm Cover, 5-21, 6-21  
Valve Rocker Arm, 5-21, 6-21  
Valve Spool, 4-11  
Valve Spring Key, 5-21, 6-21  
Valve Spring Retainer, 5-21, 6-21  
Valve Spring, 5-21, 6-21  
Valve Stem N.O. CP, 4-47  
Valve Stem 4W2P CP, 4-47  
Valve Stem Seal, 5-21, 6-21  
Valve Stem, N.D., 4-42  
Valve, [Pcv], 2-43, 2-63, 2-77  
Valve, Ball, 3-way, 08pf/08pf/08pf Brs, 3-43, 3-49, 3-59, 3-63  
Valve, Cartridge, Check, 4-77, 4-78

Valve, Cartridge, Flow Reg, 4-77  
Valve, Cartridge, Relief, 4-77  
Valve, Check, 2-77  
Valve, Cntrl, Hyd, Solenoid, 12vdc 06gpm (See Breakdowns), 2-167, 3-23  
Valve, Cntrl, Hyd, Solenoid, 12vdc 06gpm, 4-78  
Valve, Cntrl, Hyd, Solenoid, 12vdc 08gpm (See Breakdowns), 2-159  
Valve, Cntrl, Hyd, Solenoid, 12vdc 08gpm, 4-77  
Valve, Cntrl, Hyd, Solenoid, 12vdc 12gpm (See Breakdowns), 2-181, 3-27  
Valve, Cntrl, Hyd, Solenoid, 12vdc 12gpm, 4-75  
Valve, Drive, Motor, Hyd, 4-35  
Valve, Exhaust, 7-3  
Valve, Expansion, 4-59  
Valve, Fuelock, Lpg, W/ Wire Connector, 2-77  
Valve, Hyd Control Man (See Breakdowns), 2-161  
Valve, Hyd Control Man, 4-45  
Valve, Hyd Control Solenoid, 4-43  
Valve, Hyd Solenoid (See Breakdowns), 2-167  
Valve, Hyd, Solenoid (See Breakdowns), 3-23  
Valve, Intake, 7-3  
Valve, Lock Off, 2-81  
Valve, Lpg [Mixer], 2-81  
Valve, PCV, 2-4  
Valve, Press Relief, Lpg Rego, 2-113, 2-115, 2-117, 2-119  
Valve, Trim, Fuel, Lpg, 2-77  
Valve, Trim, Press, Lpg, 2-77  
Valve, Water, Heater, H, 10bm, 3-43, 3-59  
Valve-Hyd, Cntl Solenoid, 4-47  
Valve-Hyd, Solenoid (See Breakdowns), 2-159, 2-181, 3-27  
Valve, 4-31, 4-33, 4-35, 7-7, 7-9  
Vaporizer Repair Kit, 2-69  
Vaporizer, Lpg, 2-69  
Vaporizer, 2-73  
Video, Oprtr, Training, Dvd [810], 3-84  
Vlv Spool Wide En, 4-21

### W

Wand Kit, Vac, 3-71  
Wand, 3-71  
Warning Label, Starter, 5-21, 6-21  
Wash M15 1.53Od, 5-13, 6-13  
Washer, 7-9  
Washer En, 4-3, 4-5, 4-7, 4-9, 4-13, 4-15, 4-17, 4-19, 4-45  
Washer, .281B .62D .06Nylon, 2-59  
Washer, .310B .88D .12Rbr, 3-27  
Washer, .344B .69D .06Nylon, 3-79  
Washer, .344B .69D .06Nylon, 2-15  
Washer, .516B .90D .07Cr., 2-147  
Washer, .531B 1.75D .12Cr.Znc, 2-171

- Washer, .531B 1.88D .12Hard Zn, 2-13, 2-41  
 Washer, .532B 2.13D .11Hr.Znc, 2-41, 2-43, 2-45, 2-47  
 Washer, 0.25b 1.12d .12, Ss, 2-115  
 Washer, 0.53b 1.88d .12, Stl, Pl, 2-43, 2-45, 2-47  
 Washer, 1.015B 1.75D .11Hrs, 2-29  
 Washer, 1.300B 3.000, 2-163, 3-27  
 Washer, Belleville, .25, 2-163, 2-173, 3-27  
 Washer, Belleville, .31, 2-31, 2-53, 2-55, 2-129, 2-131, 2-133, 2-135, 3-51, 3-67  
 Washer, Belleville, .50, 2-171  
 Washer, Fender, 2-85, 2-87, 2-89, 2-93  
 Washer, Flat m10, 2-167, 3-23  
 Washer, Flat, .25 Sae, 2-43, 2-45, 2-47  
 Washer, Flat, .31 Std, 2-43, 2-45, 2-47, 2-51, 2-123, 2-125  
 Washer, Flat, .38 Sae, 2-51  
 Washer, Flat, .38 Std, 2-43, 2-45, 2-47, 2-51  
 Washer, Flat, .50 Std, 2-43, 2-45, 2-47  
 Washer, Flat, #10, 2-27, 2-31, 2-57, 2-91, 2-95, 2-117, 2-119, 2-131, 2-133, 2-159, 2-167, 3-23  
 Washer, Flat, 0.25 Sae, 2-171  
 Washer, Flat, 0.25 Std, 2-89, 2-93, 2-129, 2-147, 3-47, 3-49, 3-61, 3-63  
 Washer, Flat, 0.25, Sae, 2-9, 2-11, 2-111, 2-127, 2-179  
 Washer, Flat, 0.25, Std, 2-19, 2-65, 2-81, 2-111, 2-133  
 Washer, Flat, 0.28b 1.00d .06, Stl, 2-73  
 Washer, Flat, 0.28b 1.38d .12, Hrs Pl, 2-161  
 Washer, Flat, 0.31 Fender, 3-33  
 Washer, Flat, 0.31 Ss, 2-173, 3-37  
 Washer, Flat, 0.31 Std, 2-31, 2-101, 2-129, 2-131, 2-133, 2-135, 2-145, 2-168, 2-179, 3-23, 3-51, 3-52, 3-67  
 Washer, Flat, 0.31, Hardened, 2-55  
 Washer, Flat, 0.31, Sae, 2-27  
 Washer, Flat, 0.31, Std, 2-19, 2-91, 2-95, 2-103, 2-111, 2-117, 2-119, 3-55, 3-69  
 Washer, Flat, 0.321b 1.00d .12, Ss, 2-147  
 Washer, Flat, 0.38 Sae, 2-53, 2-55, 2-147, 2-164, 3-28, 3-52  
 Washer, Flat, 0.38 Ss, 2-57  
 Washer, Flat, 0.38 Std, 2-23, 2-25, 2-35, 2-101, 2-129, 2-131, 2-133, 2-164, 3-28, 3-49, 3-51, 3-63, 3-67  
 Washer, Flat, 0.38, Hardened, 2-65, 2-81  
 Washer, Flat, 0.38, Sae, 3-55, 3-69  
 Washer, Flat, 0.38, Std, 2-9, 2-11, 2-103, 2-137, 2-179, 3-55  
 Washer, Flat, 0.38b 0.88d .08, Ss, 2-27  
 Washer, Flat, 0.39b 0.75d .06, Nyl, 2-117, 2-119  
 Washer, Flat, 0.40b 1.12d .12, Stl, Pl, 2-181  
 Washer, Flat, 0.44, Std, 2-9, 2-11  
 Washer, Flat, 0.44b 1.00 .08, Ss, 2-35  
 Washer, Flat, 0.44b 2.00d .12, Stl, Pl, 2-129, 2-131, 2-133  
 Washer, Flat, 0.50 Sae, 2-171  
 Washer, Flat, 0.50, Sae, 2-137, 2-139  
 Washer, Flat, 0.50, Std, 2-17, 2-19  
 Washer, Flat, 0.56b 1.38d .11, Ss, 2-15  
 Washer, Flat, 0.62, Sae, 2-177  
 Washer, Flat, 0.75, Sae, 2-139  
 Washer, Flat, 0.75, Std, 3-69  
 Washer, Flat, 08, 3-15  
 Washer, Flat, 1.02b 1.75d .12, Stl, 2-141  
 Washer, Flat, Belleville, .25, 2-9, 2-11, 2-19  
 Washer, Flat, Belleville, .31, 2-137, 3-55, 3-69  
 Washer, Flat, 2-167, 3-23, 3-27  
 Washer, Flt, .25 Sae, 2-71  
 Washer, Loc, M5, 2-43, 2-45, 2-47  
 Washer, Lock, .25, 2-43, 2-45, 2-47  
 Washer, Lock, .31, 2-43, 2-45, 2-47, 2-51  
 Washer, Lock, .38, 2-43, 2-45, 2-47, 2-51, 3-51, 3-67  
 Washer, Lock, #10, 2-43, 2-45, 2-47  
 Washer, Lock, 0.38, 2-65, 2-81  
 Washer, Lock, Int / Ext, 0.38, 2-65, 2-81  
 Washer, Lock, Int, .25, 2-71  
 Washer, Lock, Int, #08, 2-109, 2-111, 3-51, 3-55, 3-67, 3-69  
 Washer, Lock, Int, #10, 2-55, 2-109, 2-111  
 Washer, Lock, Int, 0.25, 2-101, 2-103  
 Washer, Lock, Int, 0.31 Ss, 3-37  
 Washer, Lock, Int, 0.31, 2-21, 2-129, 2-131, 2-181  
 Washer, Lock, Int, 08 Ss, 3-79  
 Washer, Lock, Int-ext, .38, 2-53, 2-55  
 Washer, Rbr, .12 0.31b 0.88d, 2-129, 2-167, 3-23  
 Washer, Lock Special, 2-139  
 Washer-Belleville .31 Pltd, 3-23  
 Washer-Belleville .50 Pltd, 2-163  
 Washer-Belleville .50 Pltd, 3-27  
 Washer-Flt .25 Fender Rltd., 2-13  
 Washer-Flt .25 Fender, 3-35  
 Washer-Loc Int-Ext .31 Pltd, 3-33  
 Washer-Loc Int-Ext .25 Pltd, 3-17  
 Washer-Loc Int-Ext 10 Pltd, 3-17  
 Washer, 2-37, 2-61, 2-63, 2-73, 2-77, 2-139, 2-163, 2-185, 4-3, 4-7, 4-13, 4-17, 4-23, 4-25, 5-9, 5-11, 5-19, 6-9, 6-11, 6-19, 7-5, 7-9, 7-12  
 Water Outlet, 5-23, 6-23  
 Water Pump, 5-23, 6-23, 7-12  
 Weight, LPG/Gas, 2-7  
 Wheel, Steering, 2-183  
 Wire Ass'Y-Elect., Ground, 2-41, 2-43, 2-45, 2-47  
 Wire Asy, Spark Plug, 5-24, 6-24  
 Wire Harness, 5-24  
 Wire Kit, LP, 2-69  
 Wire, 10ga 16.0l Blk .38ring /.25ring, 3-51, 3-67  
 Wire, 10ga 16.0l Blk .25ring /.38ring, 3-55, 3-69  
 Wire, 42.0 Lg, 2Ga, Neg, 2-135  
 Wire, Dome Light, 4-51  
 Wire, Ground, 2-51, 2-53, 2-55, 3-65  
 Wire, Lead, 2-15  
 Wire-Ground, Alternator, 2-39  
 Wire, 7-5



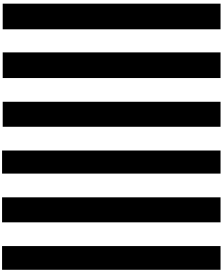




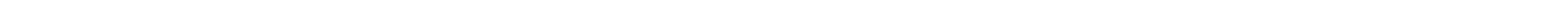
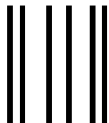
**TENNANT COMPANY**  
 Technical Publications #15  
 701 North Lilac Drive  
 P.O. Box 1452  
 Minneapolis, MN 55440-9947

POSTAGE WILL BE PAID BY ADDRESSEE

**BUSINESS REPLY MAIL**  
 FIRST CLASS MAIL PERMIT NO. 94 MINNEAPOLIS, MN



NO POSTAGE  
 NECESSARY  
 IF MAILED  
 IN THE  
 UNITED STATES



Fold along dotted lines

Tape here





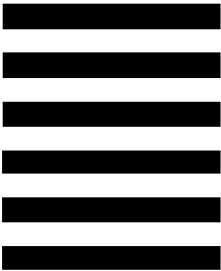




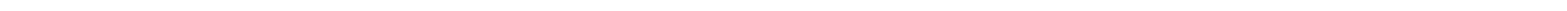
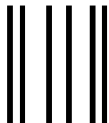
**TENNANT COMPANY**  
 Technical Publications #15  
 701 North Lilac Drive  
 P.O. Box 1452  
 Minneapolis, MN 55440-9947

POSTAGE WILL BE PAID BY ADDRESSEE

**BUSINESS REPLY MAIL**  
 FIRST CLASS MAIL PERMIT NO. 94 MINNEAPOLIS, MN



NO POSTAGE  
 NECESSARY  
 IF MAILED  
 IN THE  
 UNITED STATES



Fold along dotted lines

Tape here

